



US00D390209S

United States Patent [19]

Dials et al.

[11] Patent Number: **Des. 390,209**

[45] Date of Patent: ****Feb. 3, 1998**

[54] **PERSONAL COMPUTER MONITOR STAND**

D. 344,076 2/1994 Zahabi D14/114
D. 361,447 8/1995 Moore D14/114

[75] Inventors: **Edward Dials**, Apex; **Dean Frederick Herring**, Youngsville; **Aubrey Lamond Hodges**, Creedmoor; **Steven Richard Luglan**, Raleigh, all of N.C.

Primary Examiner—Kay H. Chin
Attorney, Agent, or Firm—Anthony N. Magistrale

[73] Assignee: **International Business Machines Corporation**, Armonk, N.Y.

[57] CLAIM

[**] Term: **14 Years**

The ornamental design for a personal computer monitor stand, as shown and described.

[21] Appl. No.: **60,094**

DESCRIPTION

[22] Filed: **Sep. 23, 1996**

FIG. 1 is a right, rear, and top perspective view of the personal computer monitor stand according to the present invention;

[51] LOC (6) Cl. **14-02**

FIG. 2 is a top plan view thereof;

[52] U.S. Cl. **D14/114; D8/349**

FIG. 3 is a rear elevational view;

[58] Field of Search **D14/100-114;**

FIG. 4 is a left side elevational view thereof;

248/281.11, 278.11, 280.11, 917-920, 284.1,

FIG. 5 is a right side elevational view thereof;

285.1, 286.1, 302; 361/680, 686; D19/91;

FIG. 6 is a top plan view thereof;

348/837, 827; D8/354, 373, 349, 363; D6/462,

FIG. 7 is a front elevational view thereof;

449

FIG. 8 is a right, front and top perspective view of the personal computer monitor stand with an attached computer console and monitor shown in phantom for illustrative purposes only; and,

[56] References Cited

FIG. 9 is a right side elevational view of the personal computer monitor stand of FIG. 8.

U.S. PATENT DOCUMENTS

D. 317,760 6/1991 Esslinger D14/114

1 Claim, 7 Drawing Sheets

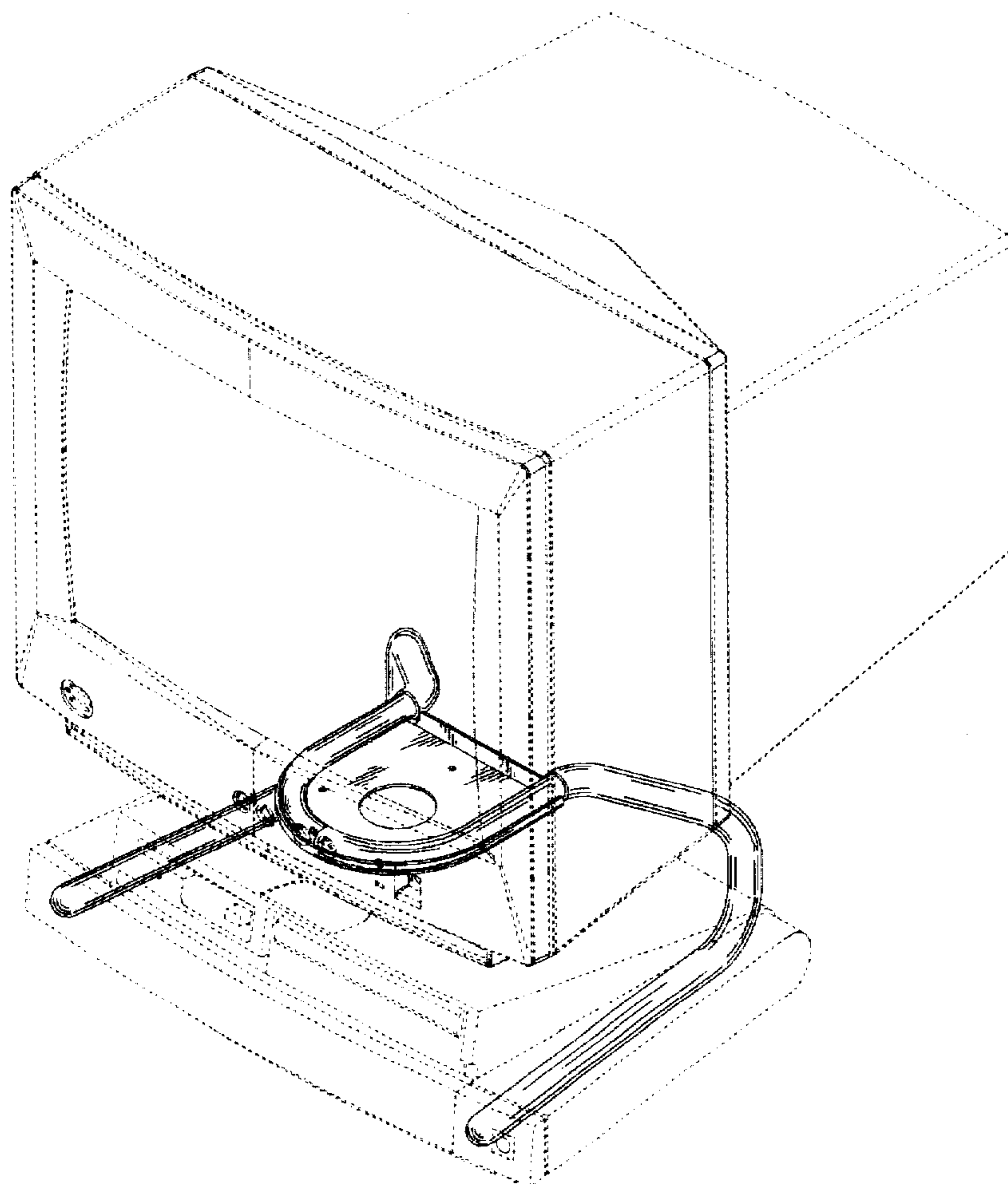


FIG. 1

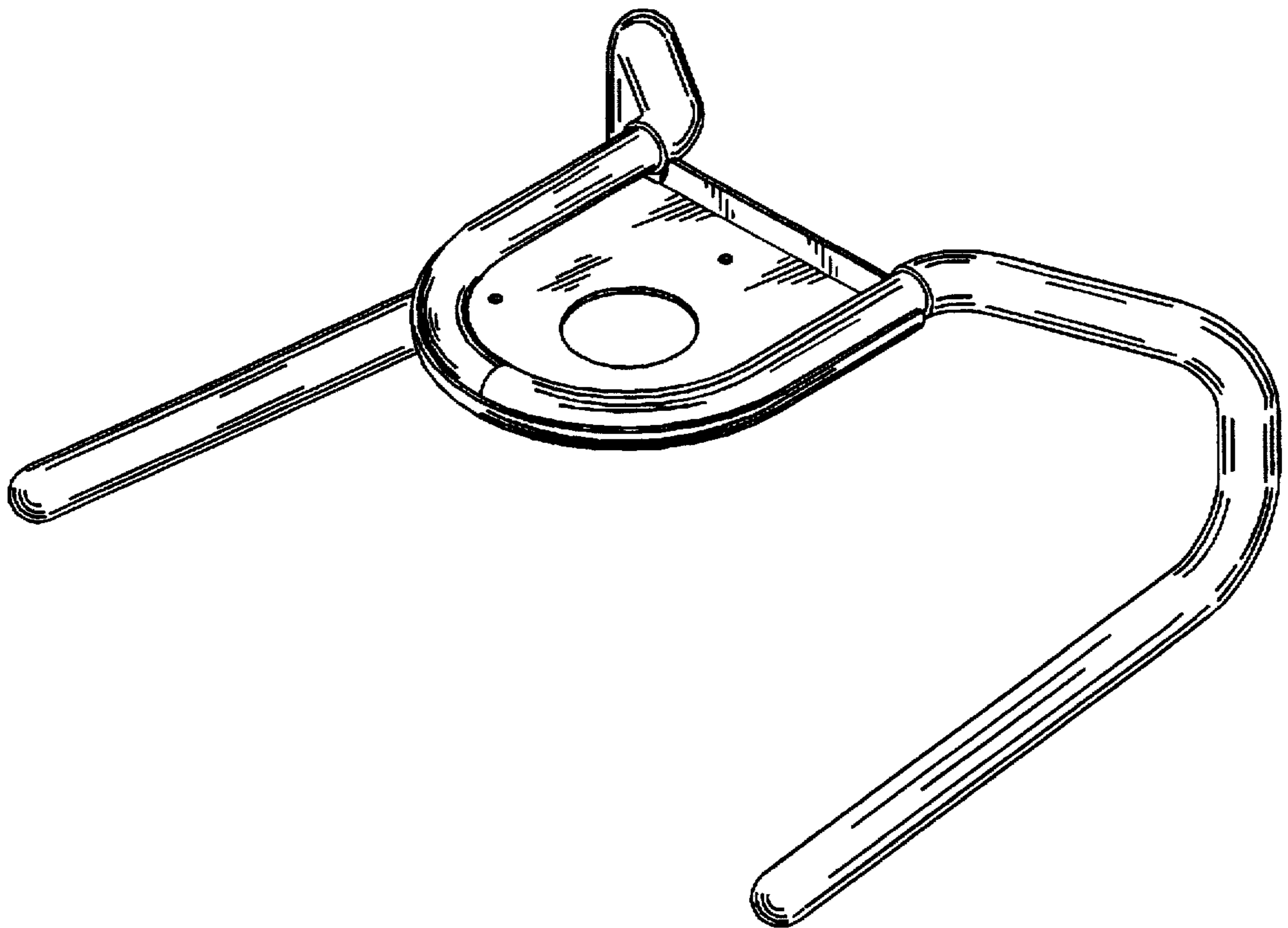


FIG. 2

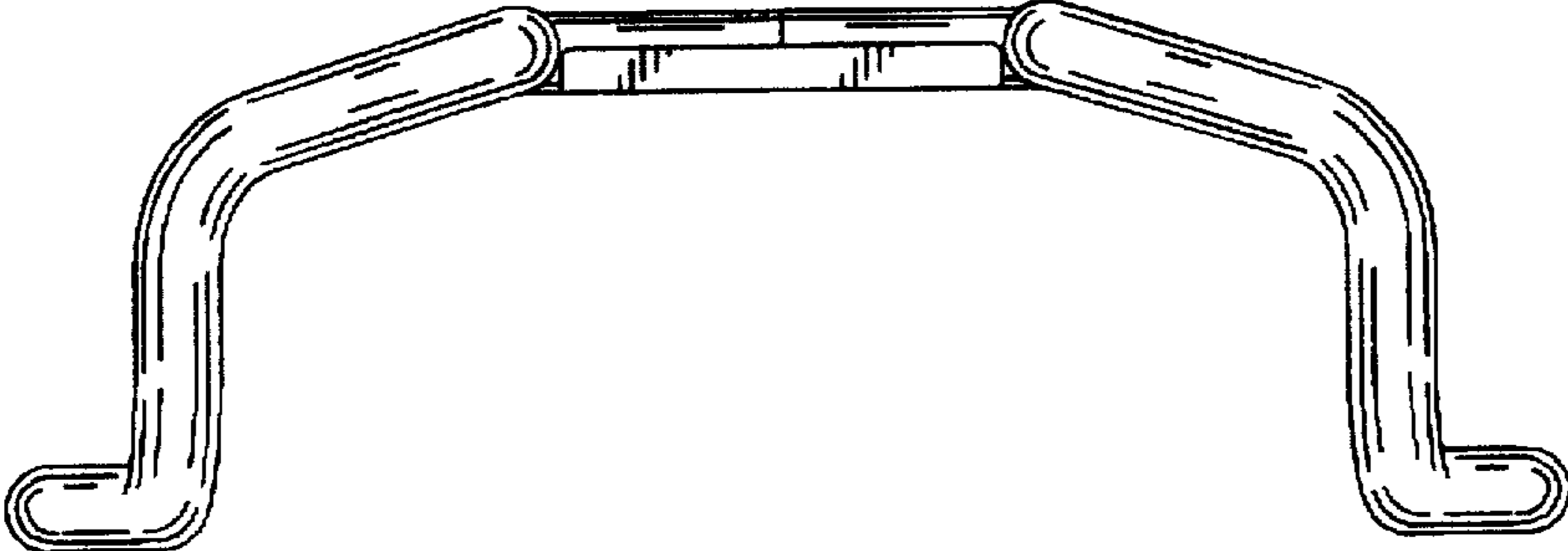


FIG. 3

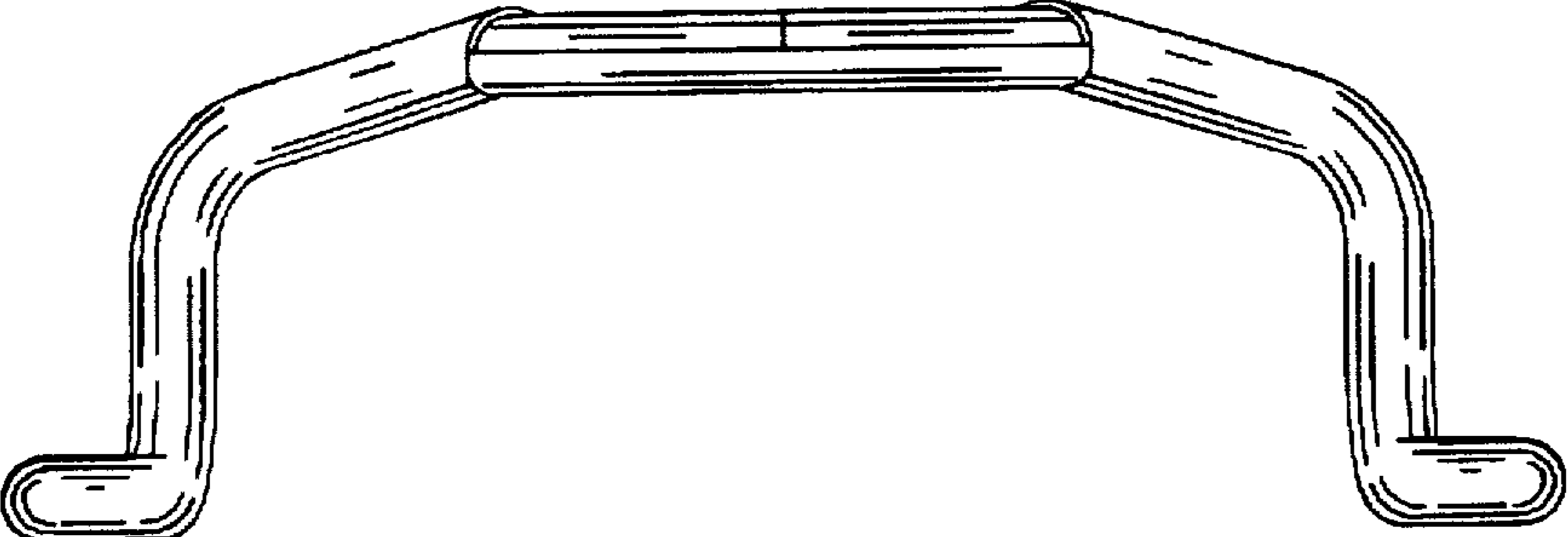


FIG. 4

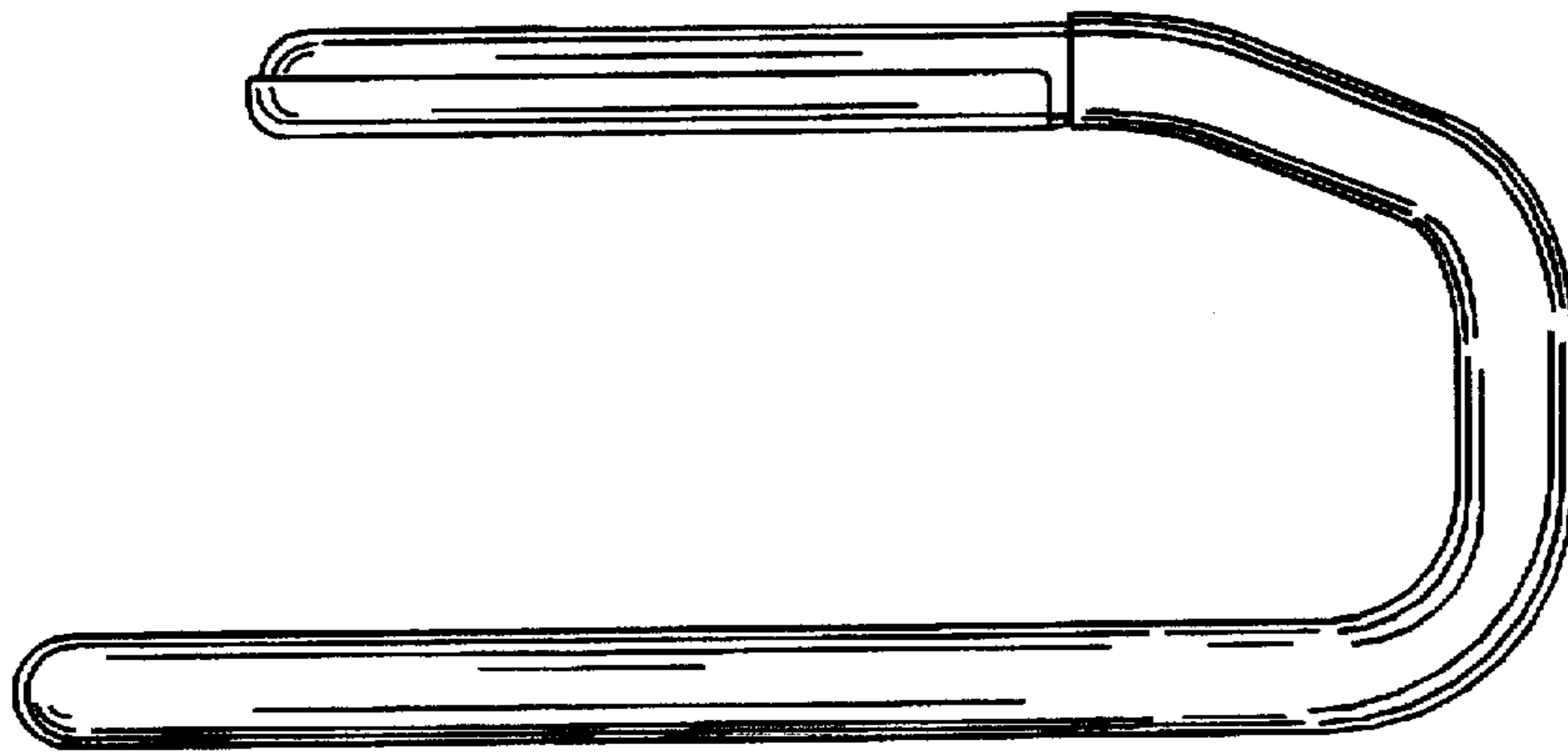


FIG. 5

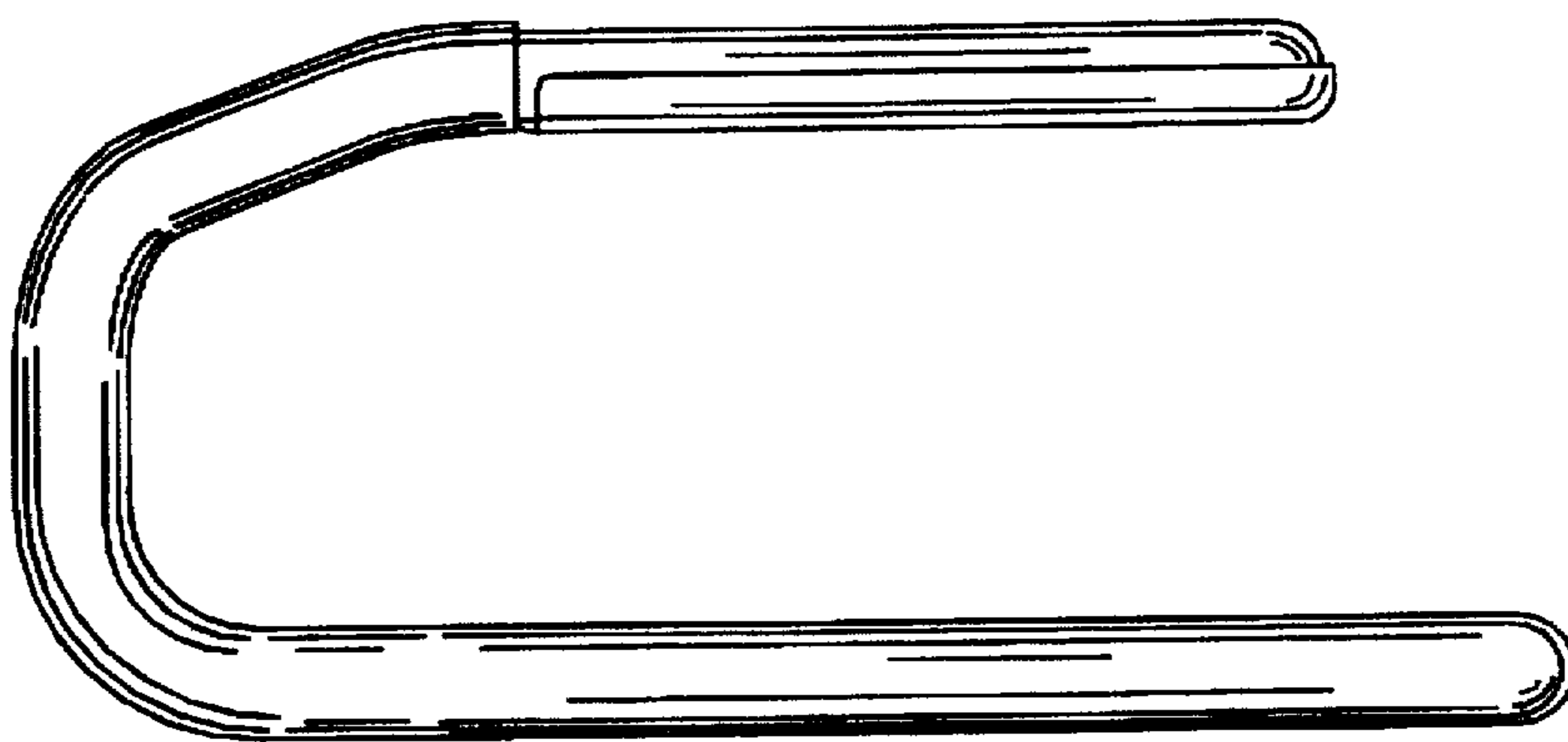


FIG. 6

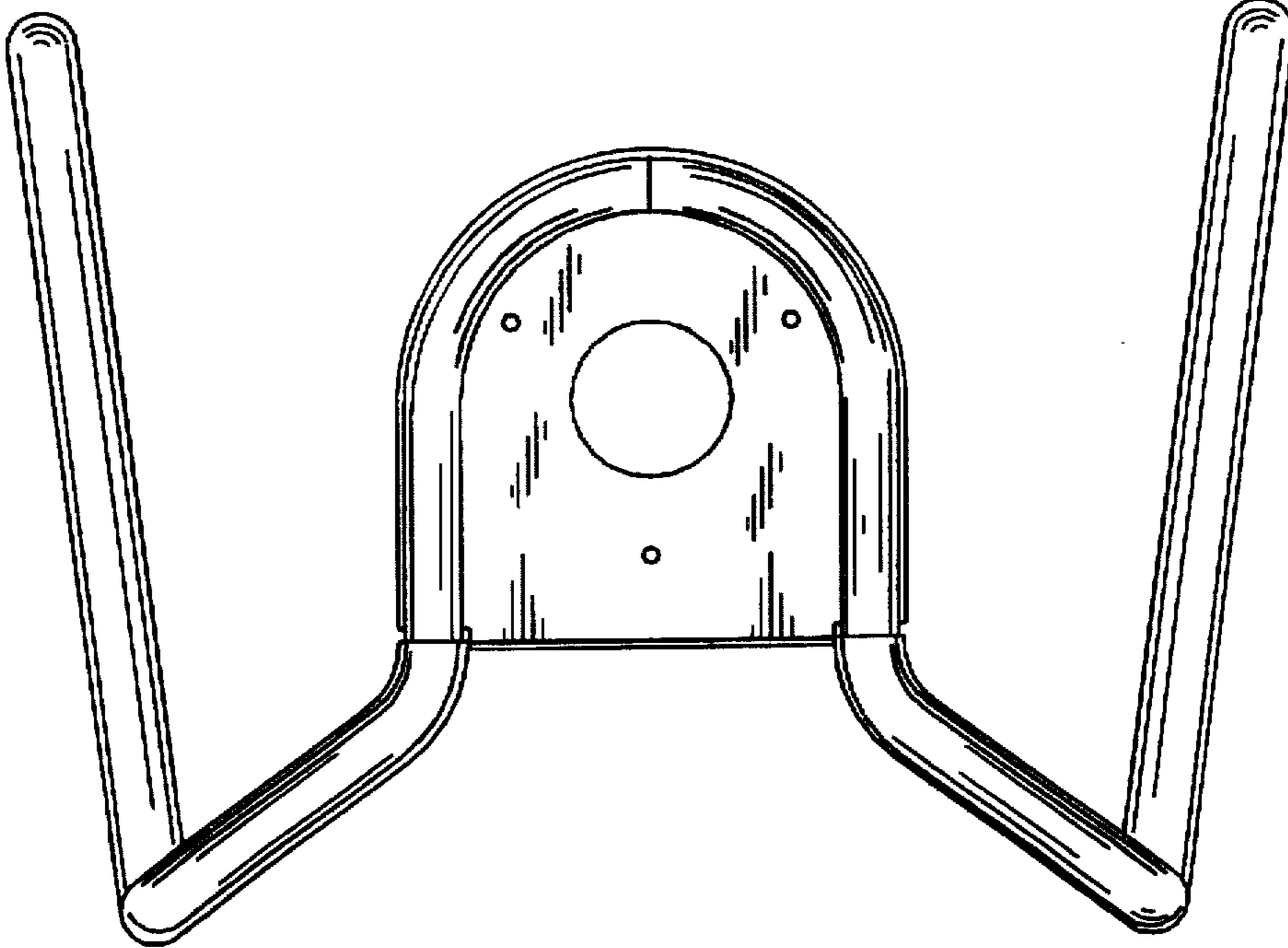


FIG. 7

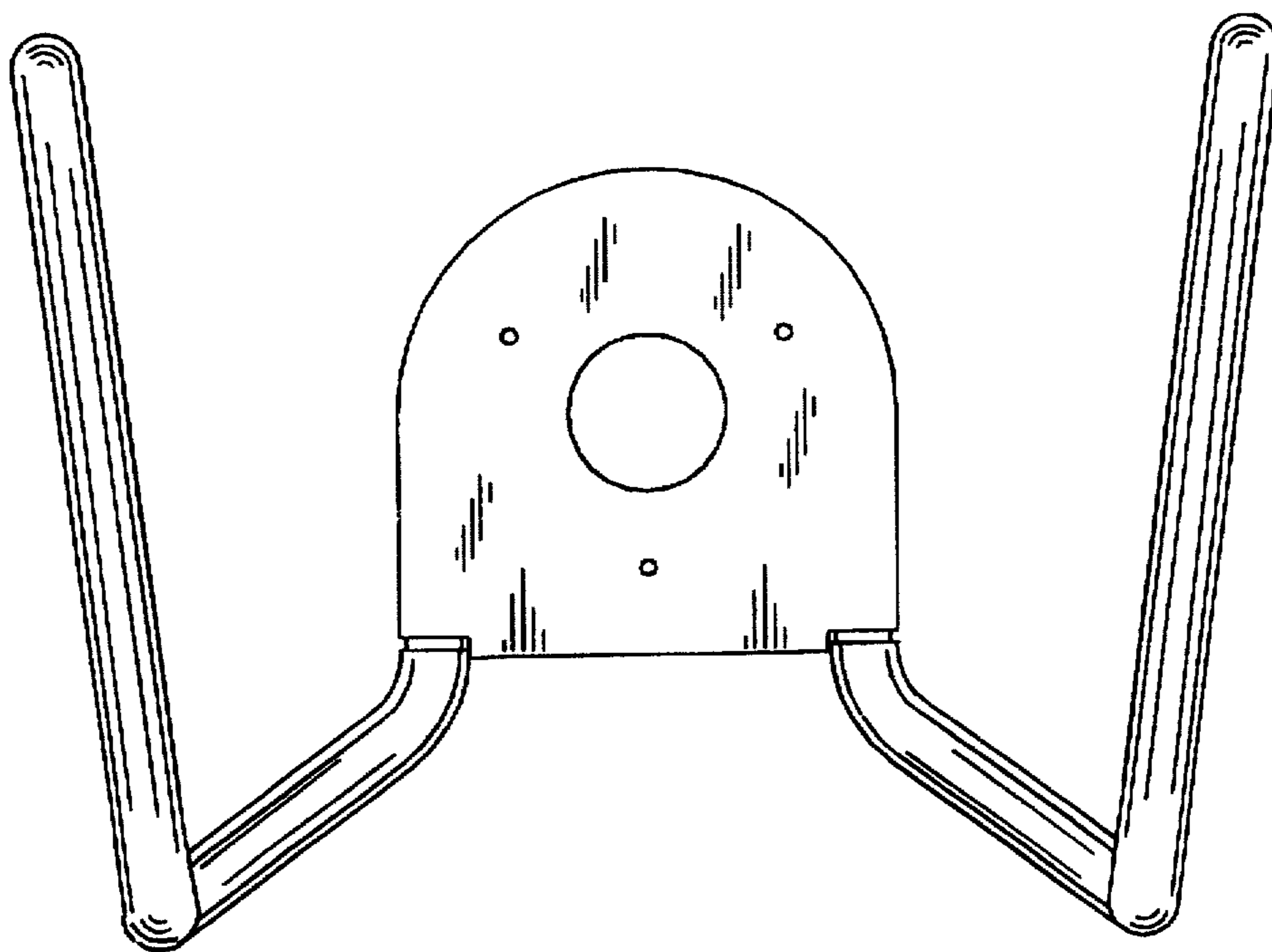


FIG. 8

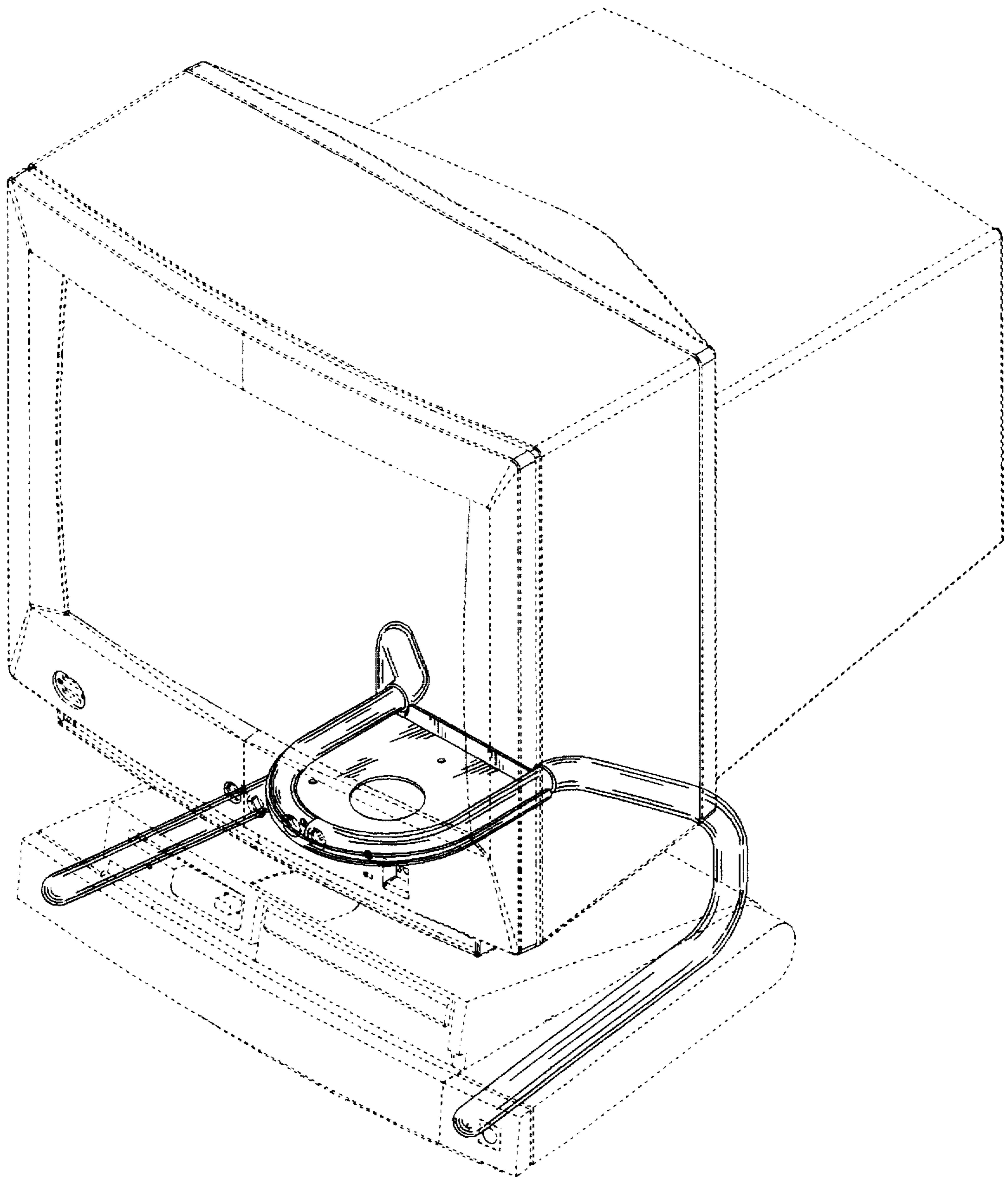


FIG. 9

