

US00D390203S

# United States Patent [19]

[11] Patent Number: **Des. 390,203**

Matson et al.

[45] Date of Patent: **\*\*Feb. 3, 1998**

## [54] COMPUTER

[75] Inventors: **Stephen M. Matson; Randy C. Willig,**  
both of Longmont, Colo.

[73] Assignee: **Cyrix Coporation,** Richardson, Tex.

[\*\*] Term: **14 Years**

[21] Appl. No.: **60,984**

[22] Filed: **Oct. 15, 1996**

[51] LOC (6) Cl. .... **14-02**

[52] U.S. Cl. .... **D14/100; D14/109**

[58] Field of Search ..... **D14/100, 102,**  
**D14/107-109; D13/162, 184, 199; D6/432,**  
**436, 445, 448; 312/208.1, 223.2, 254, 292;**  
**360/97.01, 97.04, 99.01, 99.12; 361/690-696**

## [56] References Cited

### U.S. PATENT DOCUMENTS

D. 308,361	6/1990	Nakamura et al. ....	D14/109
D. 331,570	12/1992	Koiwa .....	D14/109 X
D. 351,146	10/1994	Hill et al. ....	D14/109
D. 357,467	4/1995	Sakai et al. ....	D14/109
D. 367,470	2/1996	Yokoyama .....	D14/100

Primary Examiner—Freda Nunn

Attorney, Agent, or Firm—Andrew S. Viger; John L. Maxin

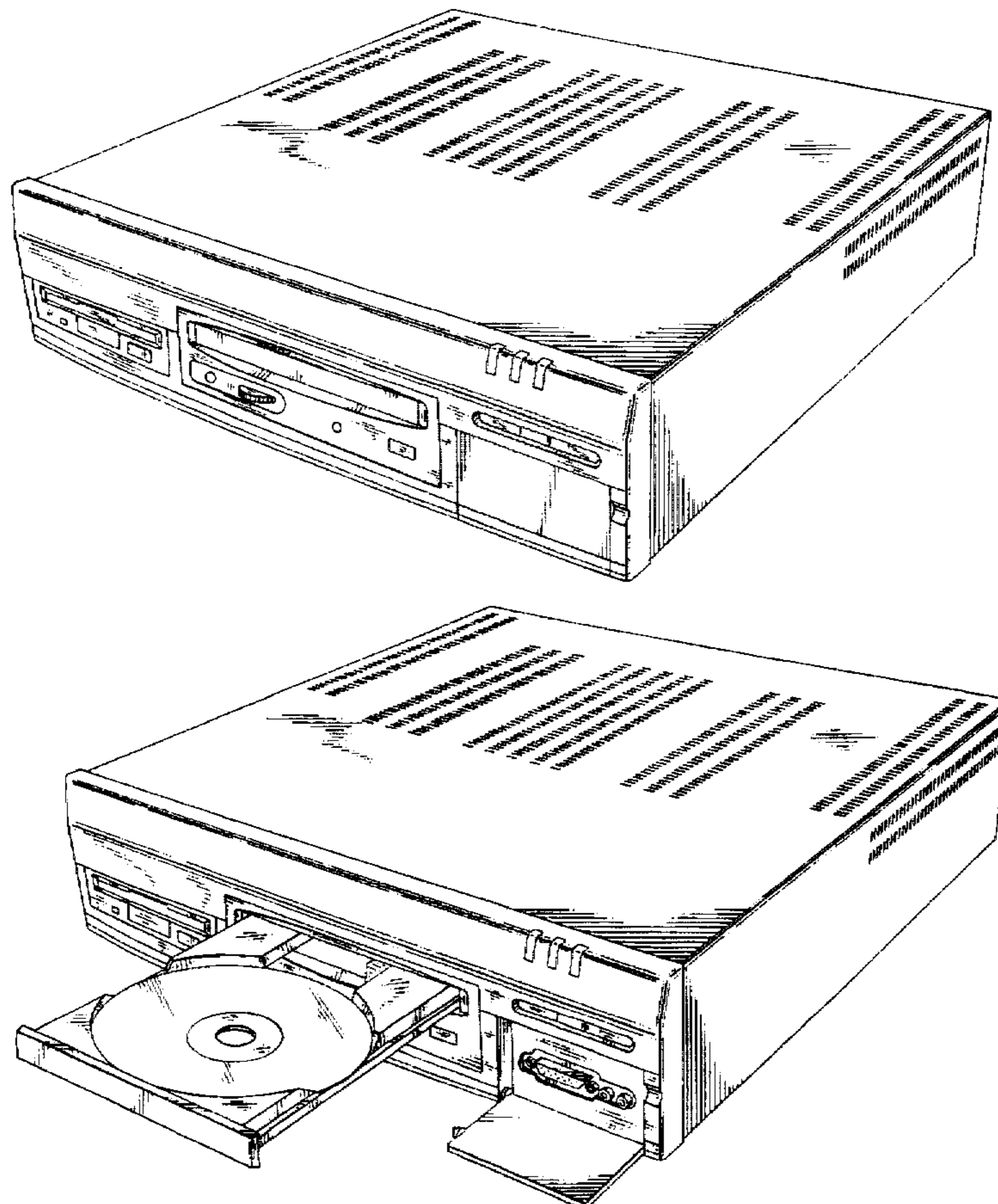
## [57] CLAIM

The ornamental design for a computer, as shown and described.

## DESCRIPTION

FIG. 1 is a perspective view of a computer showing our new design;  
 FIG. 2 is a perspective view of a second embodiment thereof;  
 FIG. 3 is a perspective view of a third embodiment thereof;  
 FIG. 4 is a front elevational view of the first embodiment thereof;  
 FIG. 5 is a rear elevational view thereof;  
 FIG. 6 is a rear elevational view of the second embodiment thereof;  
 FIG. 7 is a rear elevational view of the third embodiment thereof;  
 FIG. 8 is a side elevational view of the first embodiment thereof;  
 FIG. 9 is an opposite side elevational view thereof;  
 FIG. 10 is a top plan view thereof;  
 FIG. 11 is a bottom plan view thereof; and,  
 FIG. 12 is a perspective view thereof with a door shown in the open position.  
 The undisclosed views of the second and third embodiments are identical to those shown in the first embodiment.

**1 Claim, 9 Drawing Sheets**



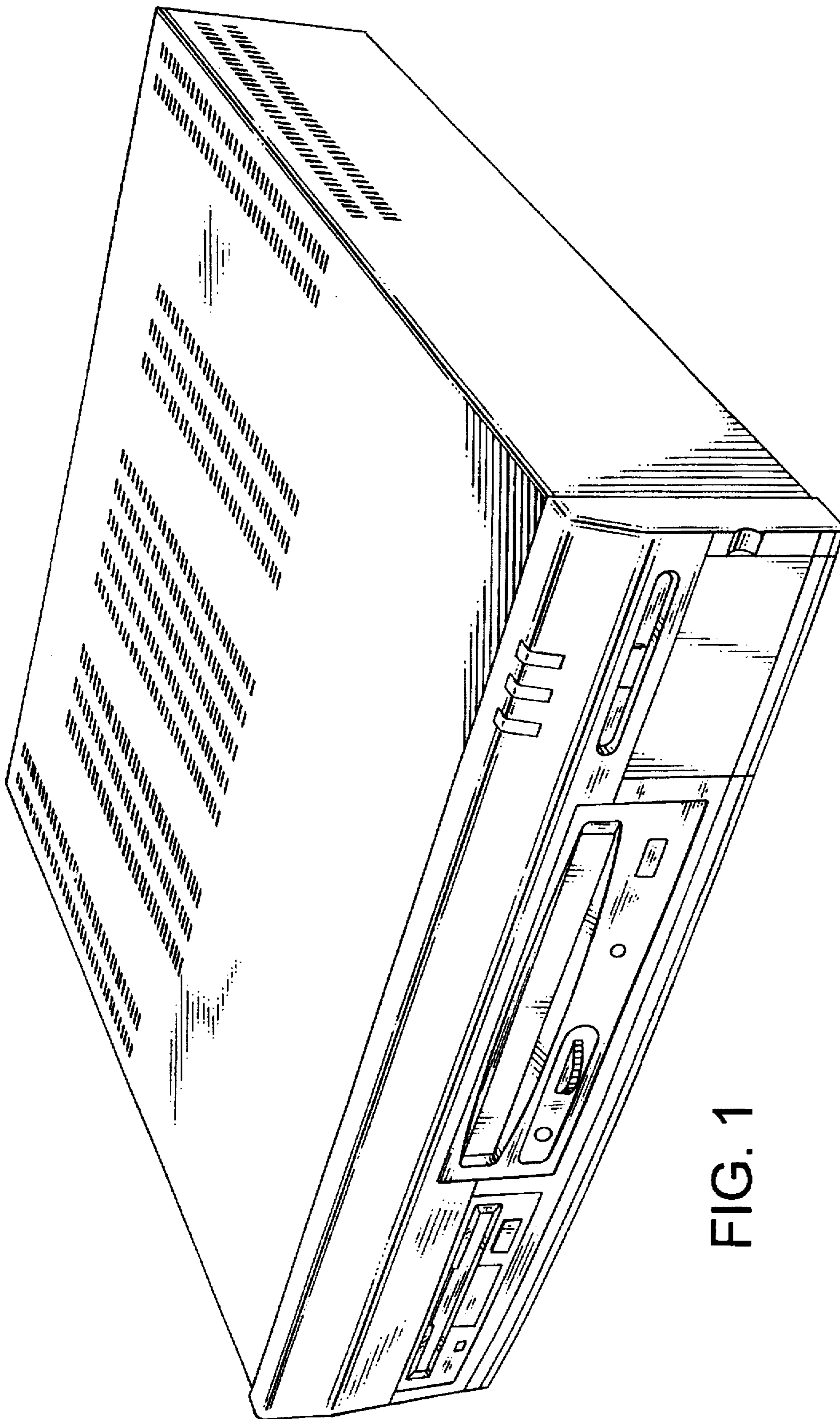


FIG. 1

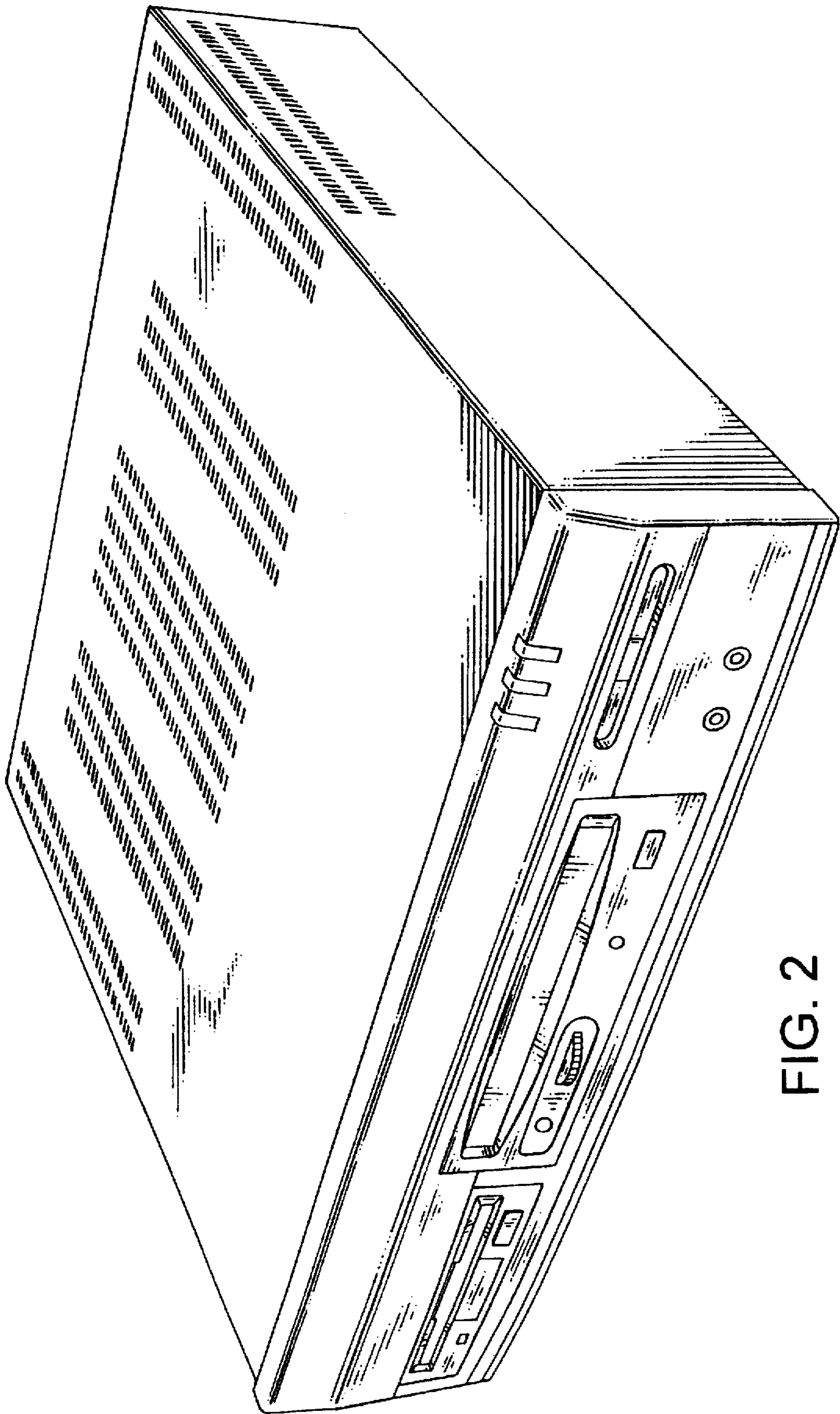


FIG. 2

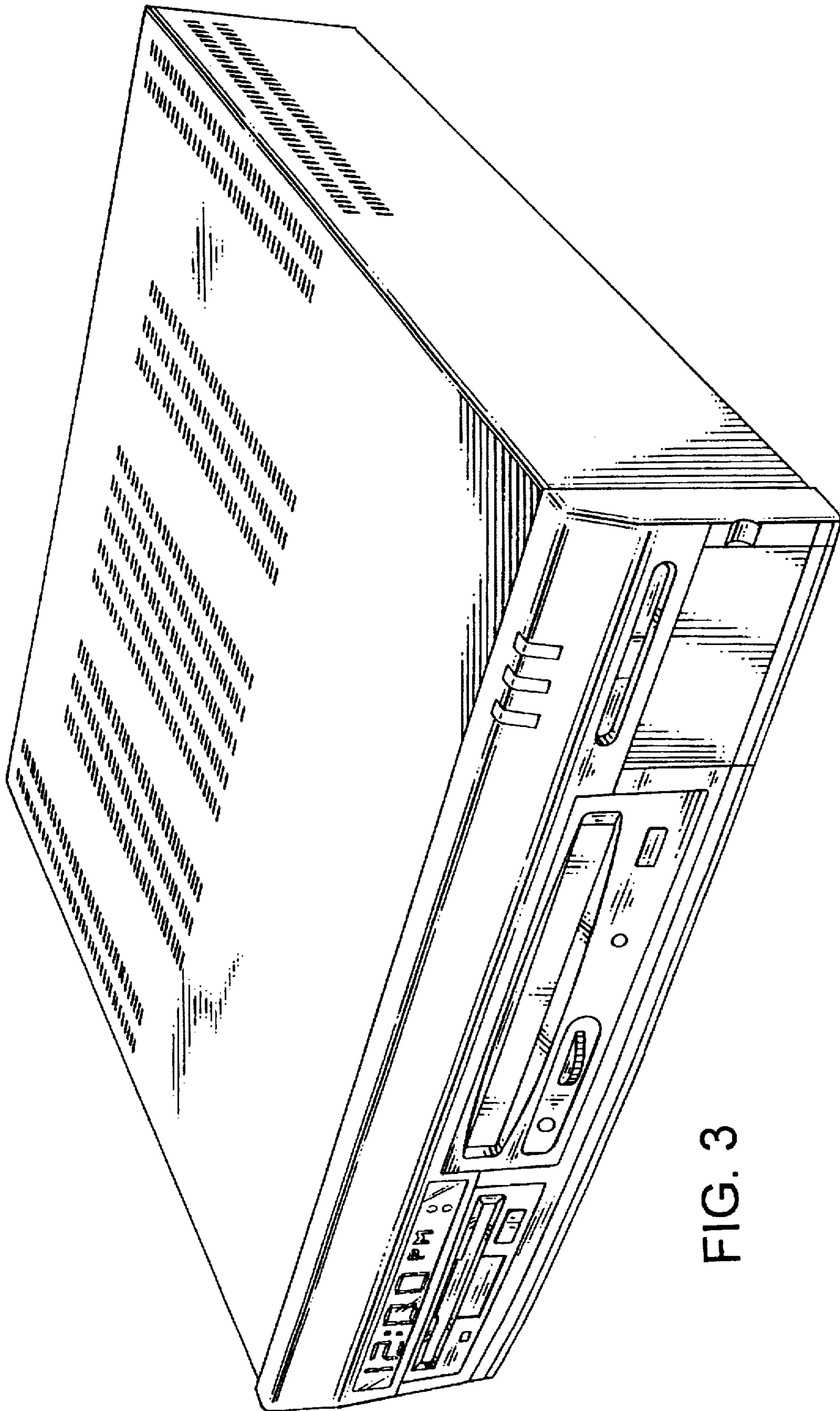


FIG. 3

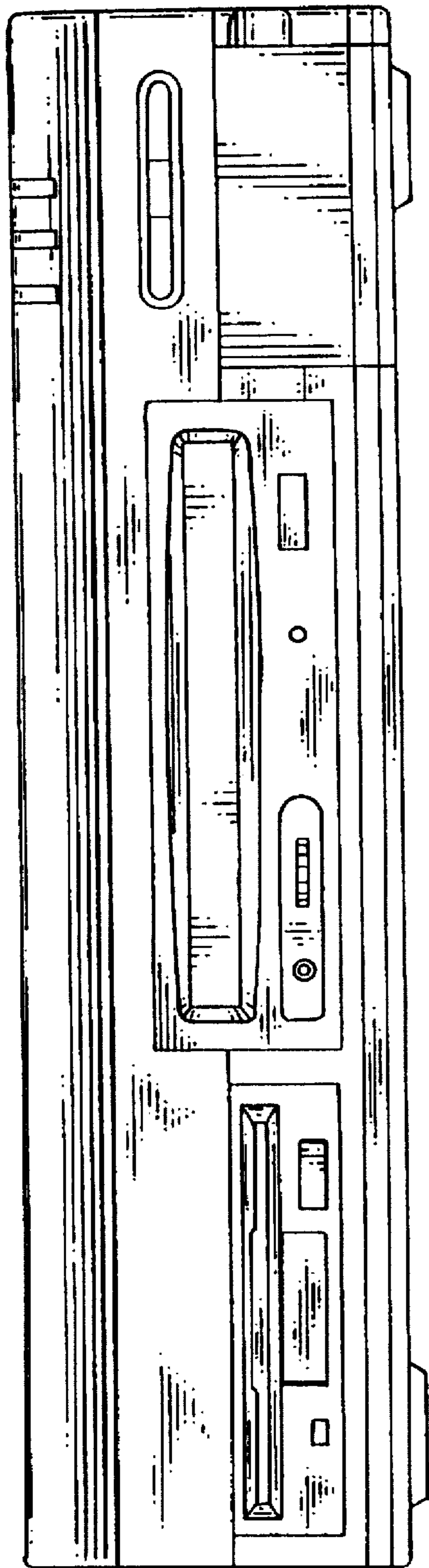


FIG. 4

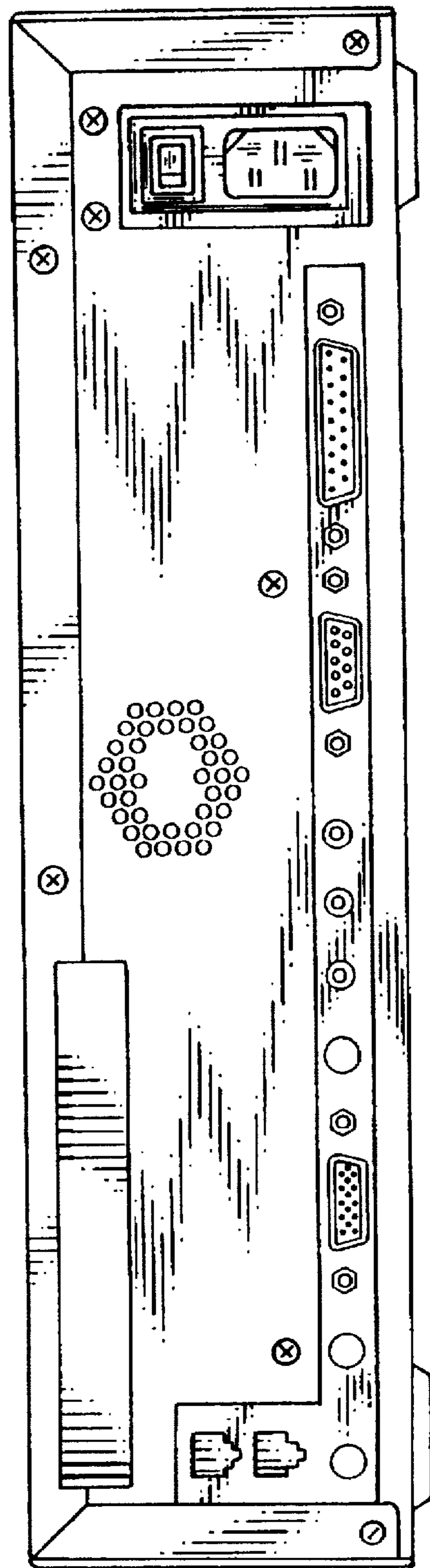


FIG. 5

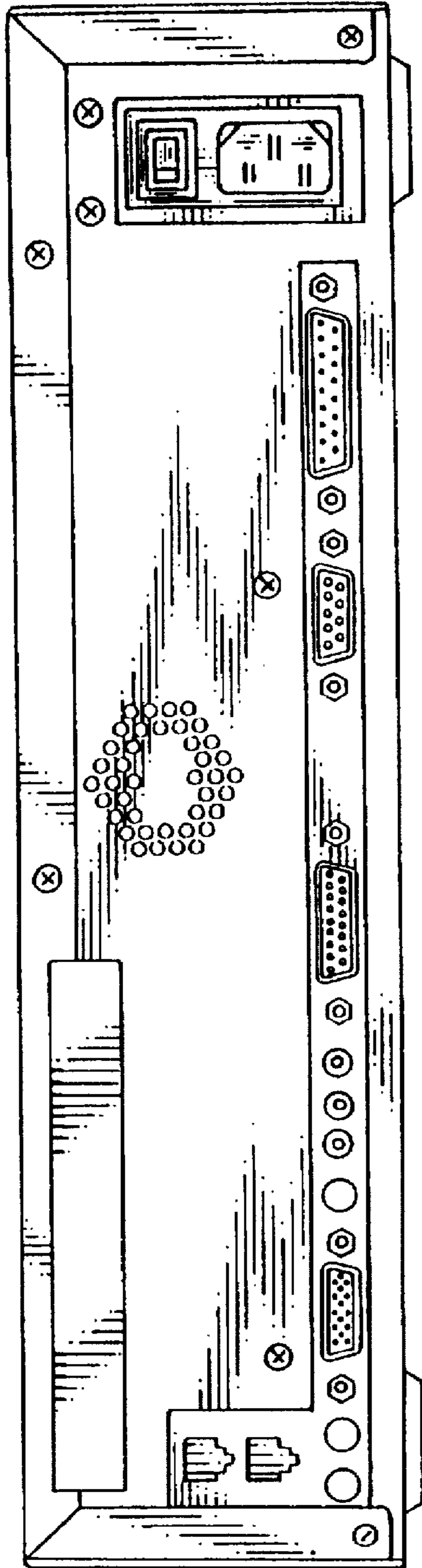


FIG. 6

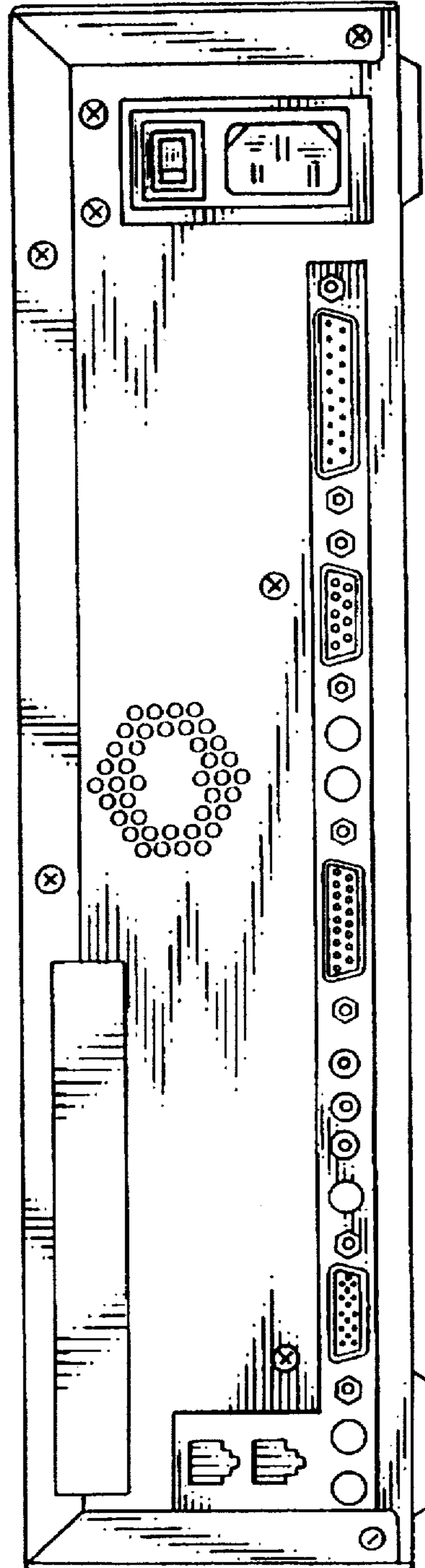


FIG. 7

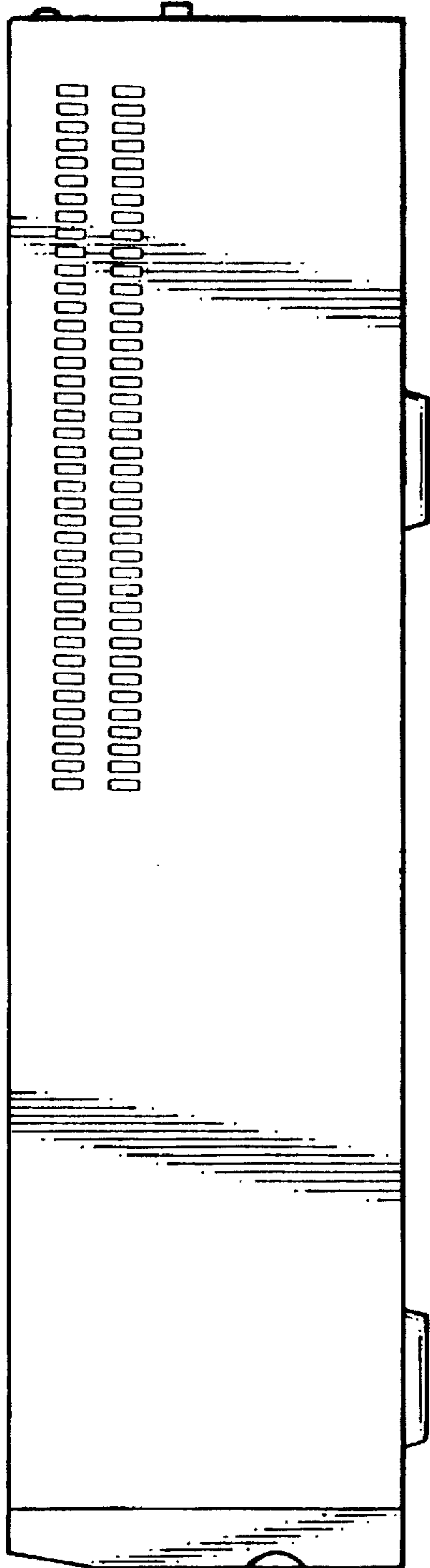


FIG. 8

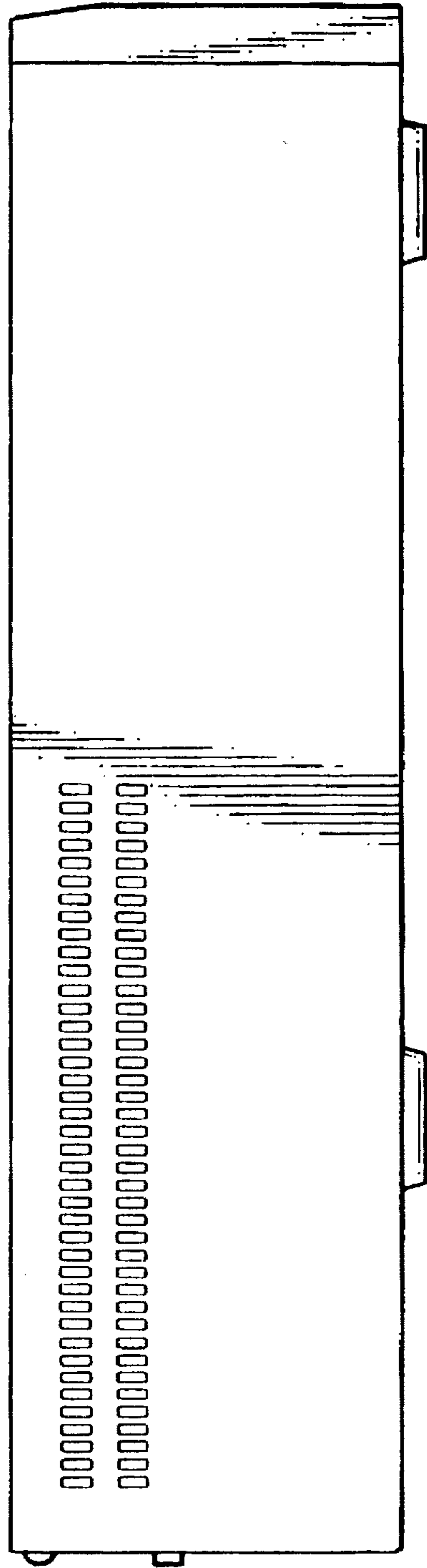


FIG. 9

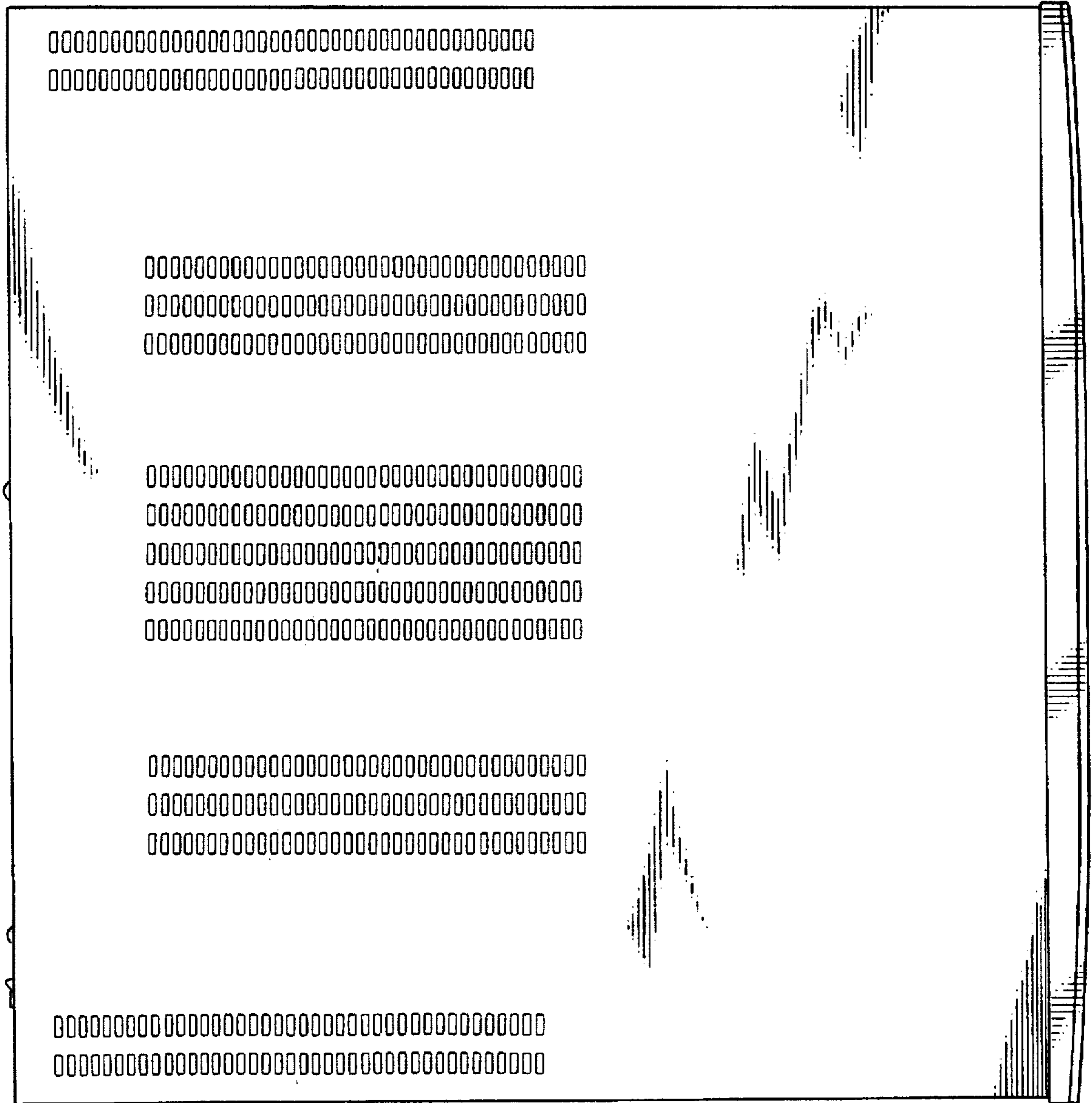


FIG. 10



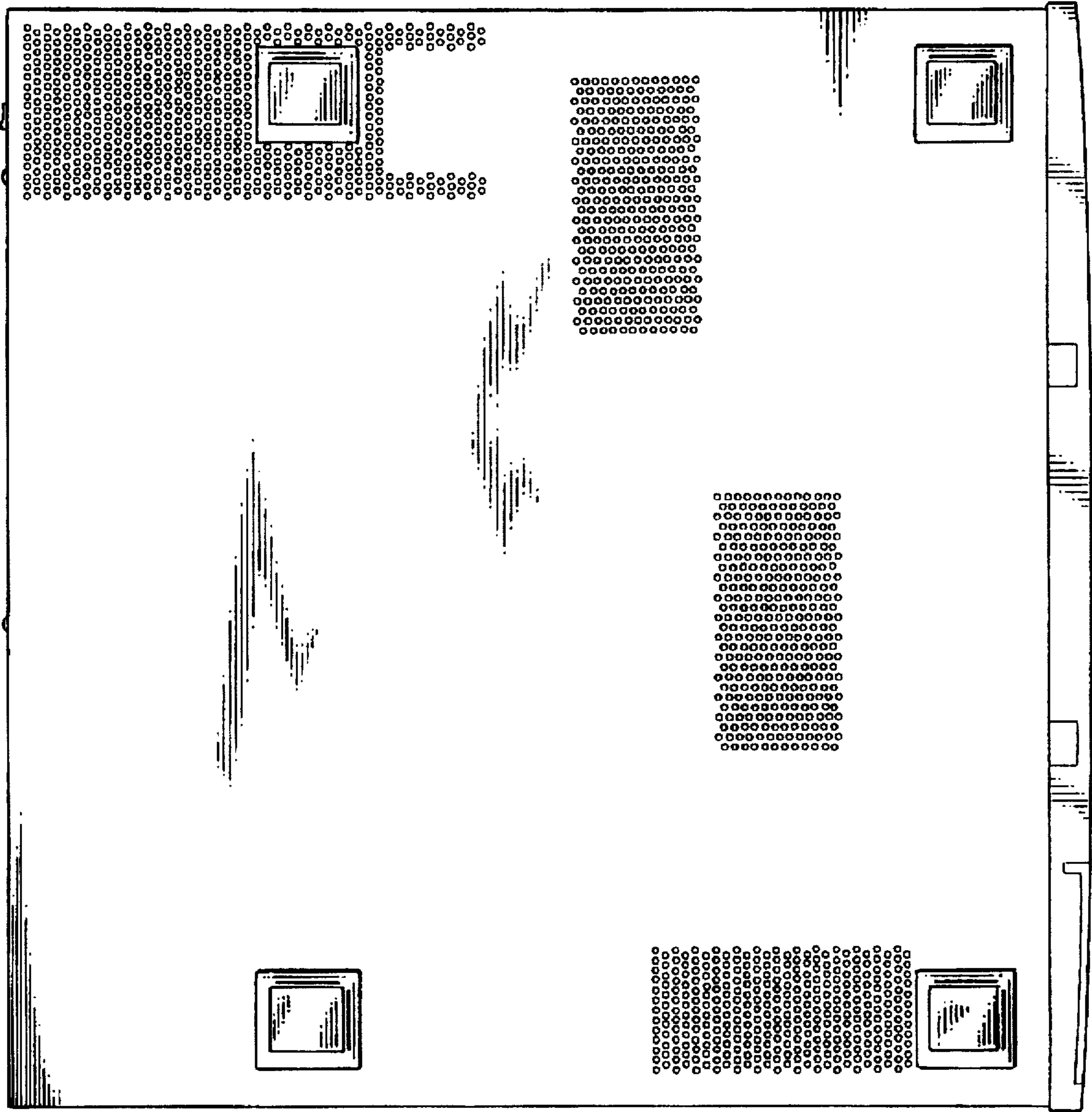


FIG. 11

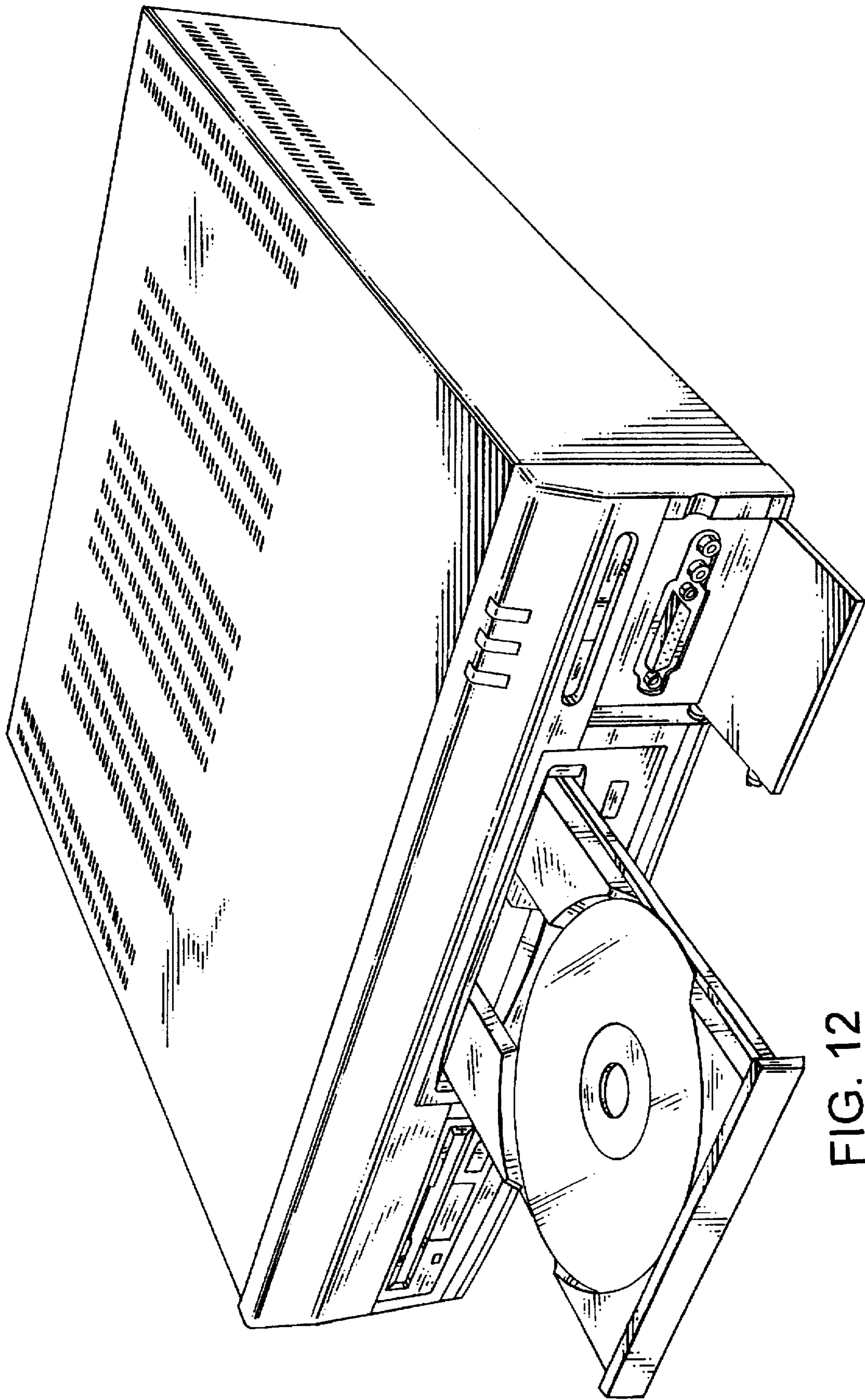


FIG. 12