



US00D390202S

United States Patent [19]
Goto

[11] **Patent Number:** **Des. 390,202**
[45] **Date of Patent:** ****Feb. 3, 1998**

[54] **COMPUTER**

[75] **Inventor:** **Teiyu Goto**, Tokyo, Japan

[73] **Assignee:** **Sony Corporation**, Tokyo, Japan

[**] **Term:** **14 Years**

[21] **Appl. No.:** **59,880**

[22] **Filed:** **Sep. 17, 1996**

[30] **Foreign Application Priority Data**

Mar. 25, 1996 [JP] Japan 8-8099

[51] **LOC (6) Cl.** **14-02**

[52] **U.S. Cl.** **D14/100; D14/102**

[58] **Field of Search** **D14/100, 102,**
D14/107-109; D13/162, 184, 199; D6/432,
436, 445, 448; 312/208.1, 223.2, 223.3;
360/99.12; 361/690-696

[56] **References Cited**

U.S. PATENT DOCUMENTS

D. 349,890	8/1994	Kabumoto	D14/109
D. 350,337	9/1994	Riley et al.	D14/102
D. 366,030	1/1996	Tinsley, Jr. et al.	D14/102
D. 369,787	5/1996	Muenkel	D14/102

Primary Examiner—Freda Nunn
Attorney, Agent, or Firm—Foley & Lardner

[57] **CLAIM**

The ornamental design for a computer, as shown and described.

DESCRIPTION

FIG. 1 is a perspective view of a first embodiment of a computer showing my new design;

FIG. 2 is a top plan view thereof;

FIG. 3 is a left side elevational view thereof, a right side elevational view thereof being a mirror image;

FIG. 4 is a front elevational view thereof;

FIG. 5 is a bottom plan view thereof;

FIG. 6 is a rear elevational view thereof;

FIG. 7 is an alternate perspective view thereof similar to FIG. 1 wherein the disc tray and other portions of the front panel are shown in broken lines for illustrative purposes only and forms no part of the claimed design;

FIG. 8 is a perspective view of a second embodiment of a computer showing my new design;

FIG. 9 is a top plan view of the embodiment of FIG. 8;

FIG. 10 is a left side elevational view of the embodiment of FIG. 8;

FIG. 11 is a front elevational view of the embodiment of FIG. 8;

FIG. 12 is a bottom plan view of the embodiment of FIG. 8;

FIG. 13 is a right side elevational view of the embodiment of FIG. 8;

FIG. 14 is a rear elevational view of the embodiment of FIG. 8; and,

FIG. 15 is an alternate perspective view thereof similar to FIG. 8 wherein the disc tray and other portions of the front panel are shown in broken lines for illustrative purposes only and form no part of the claimed design.

1 Claim, 6 Drawing Sheets

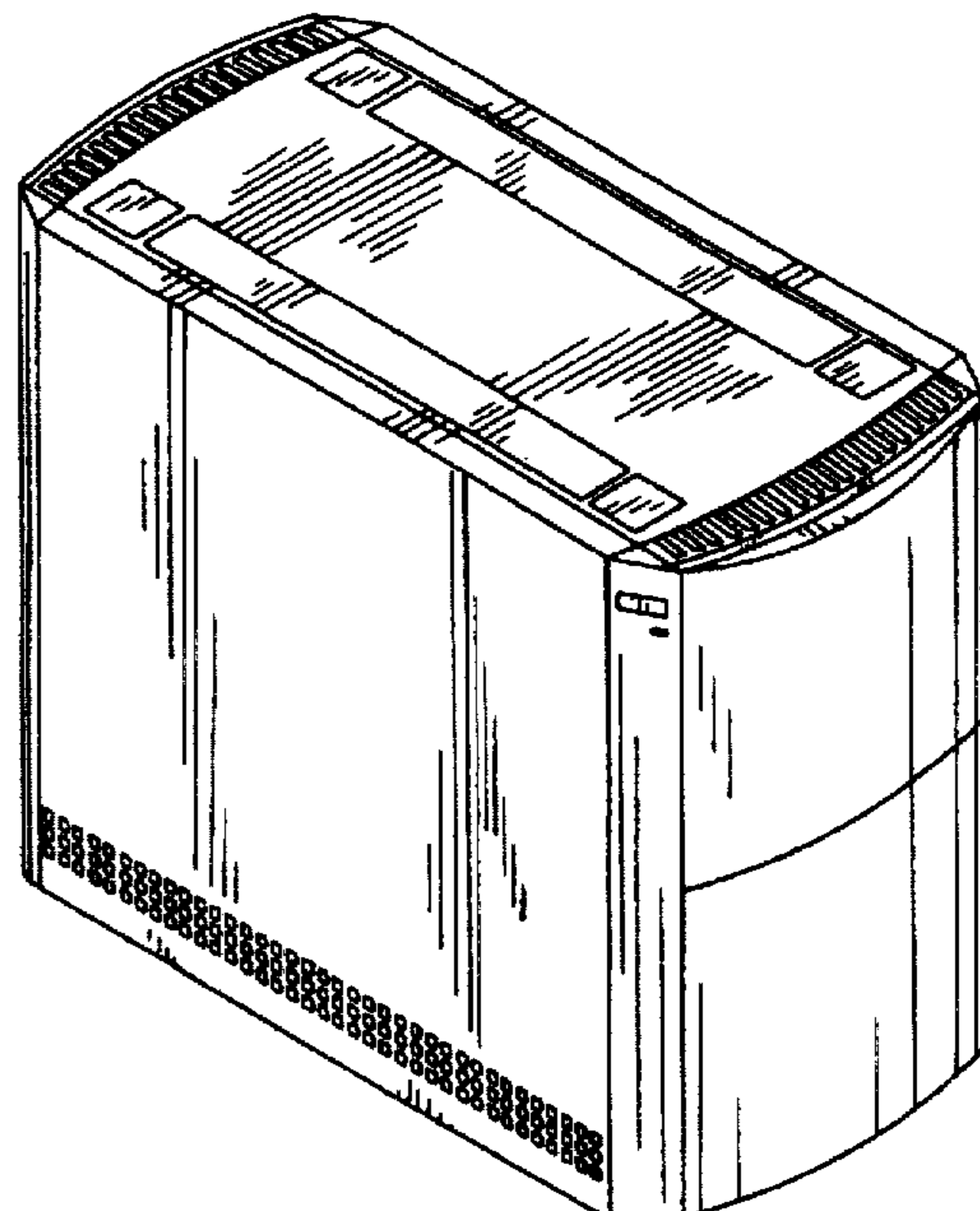
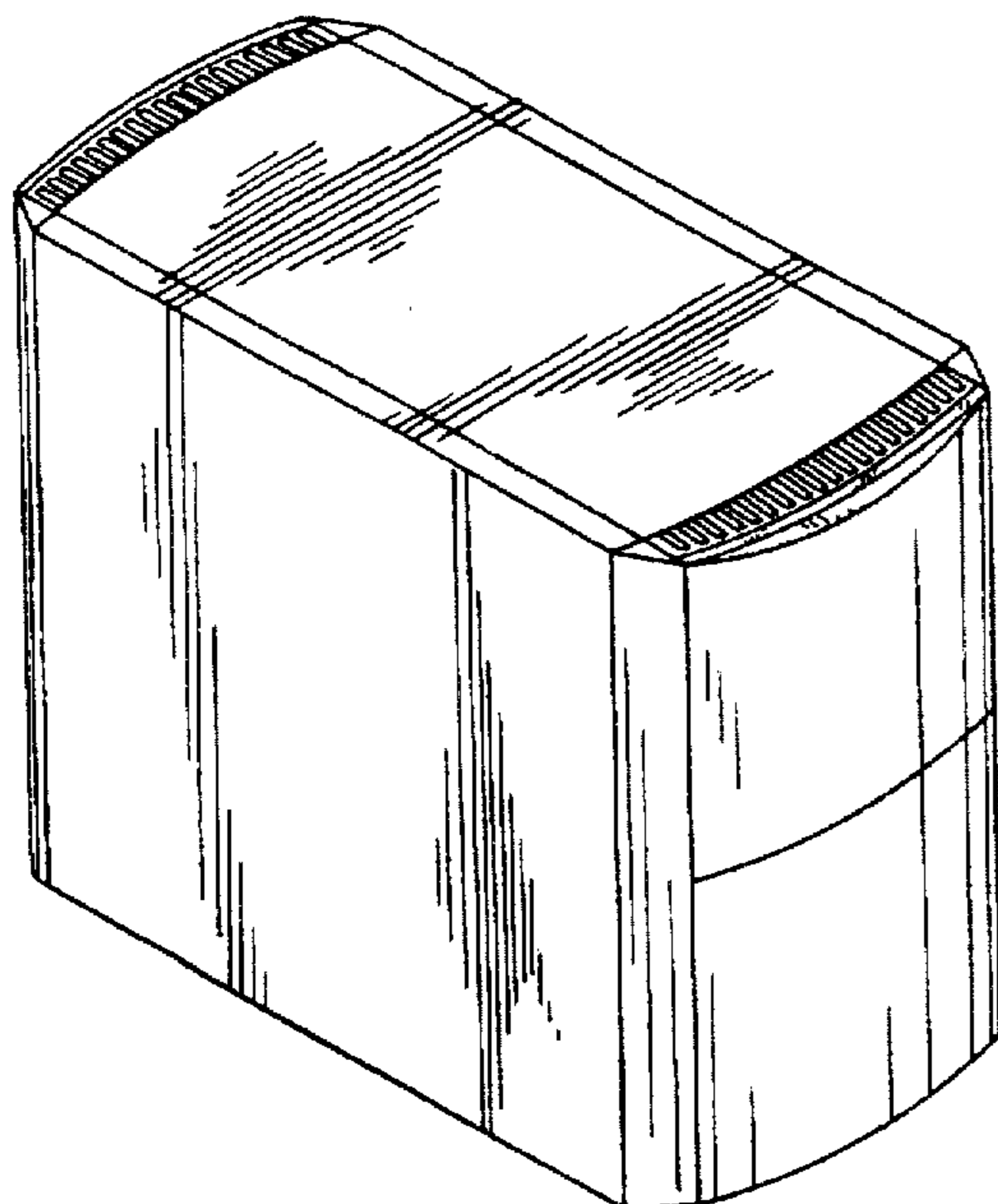


FIG. 7

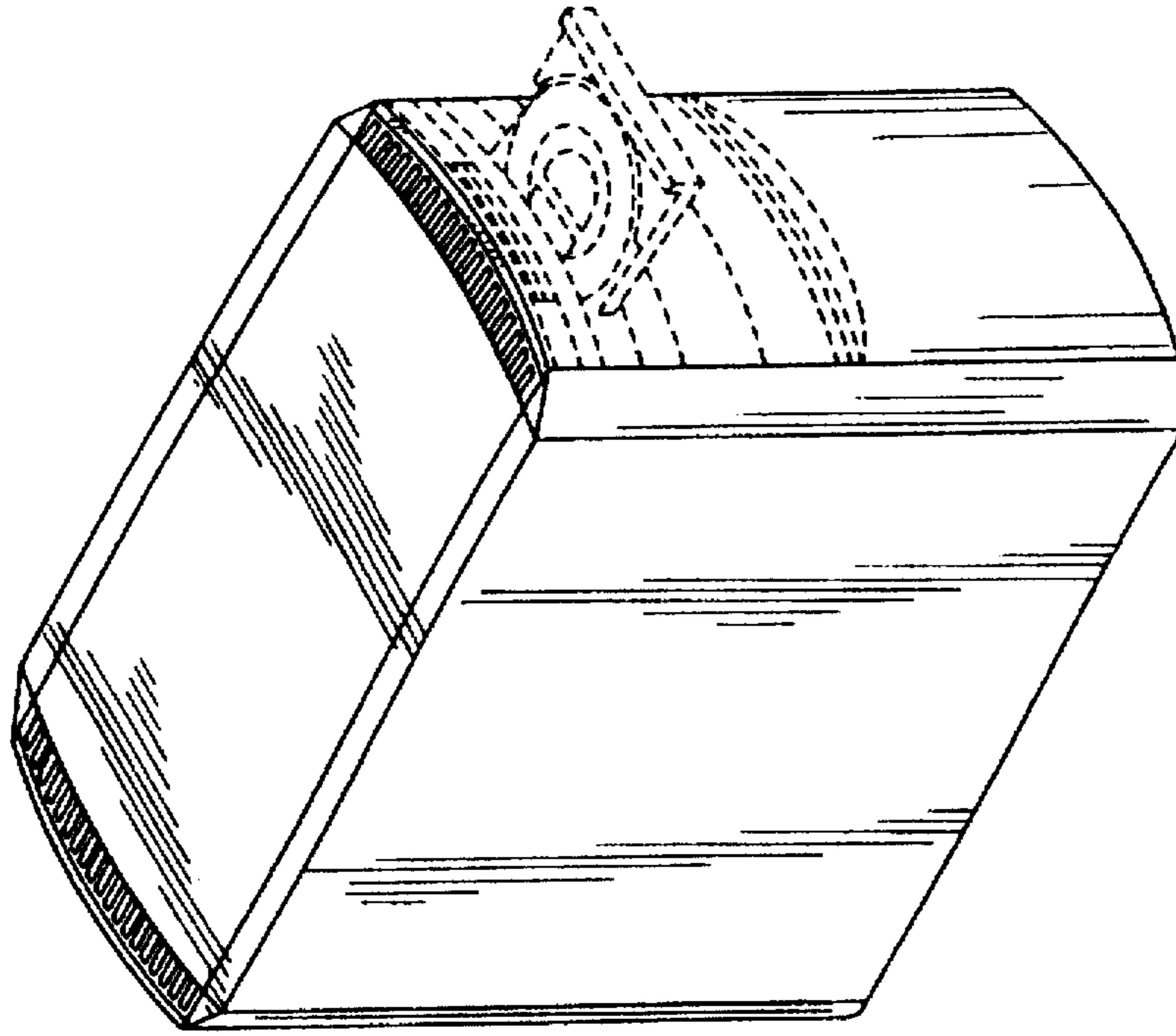


FIG. 1

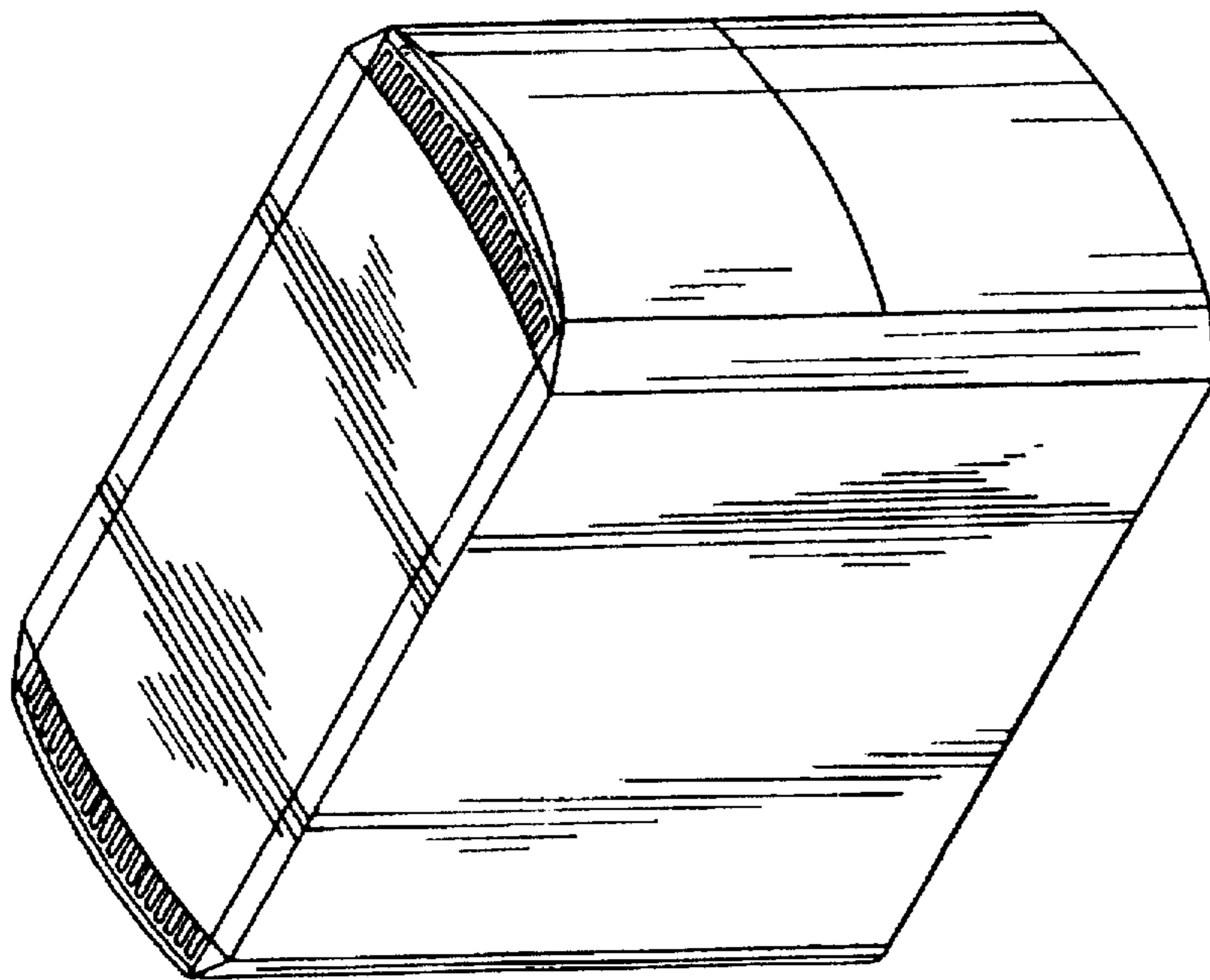


FIG. 2

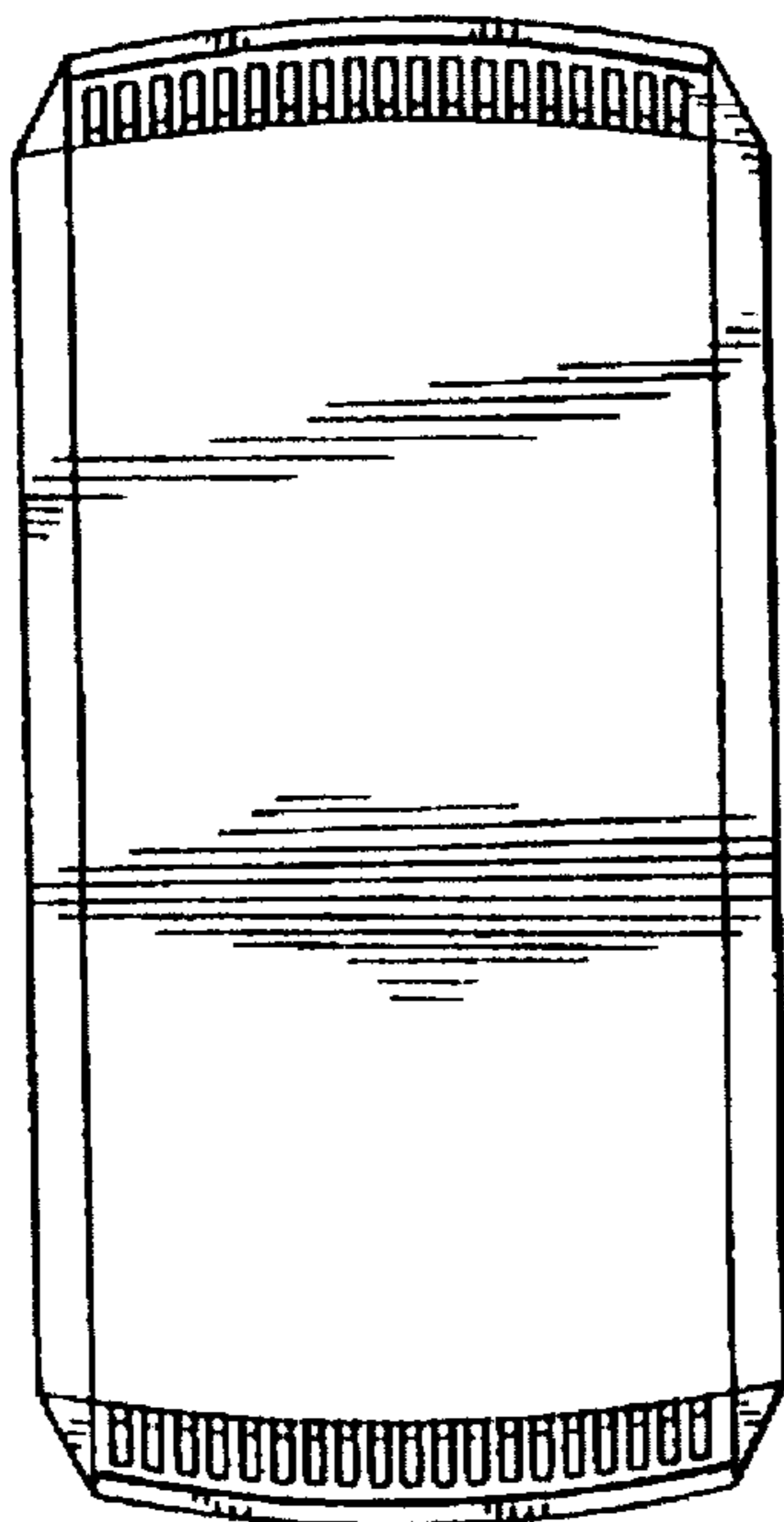


FIG. 3

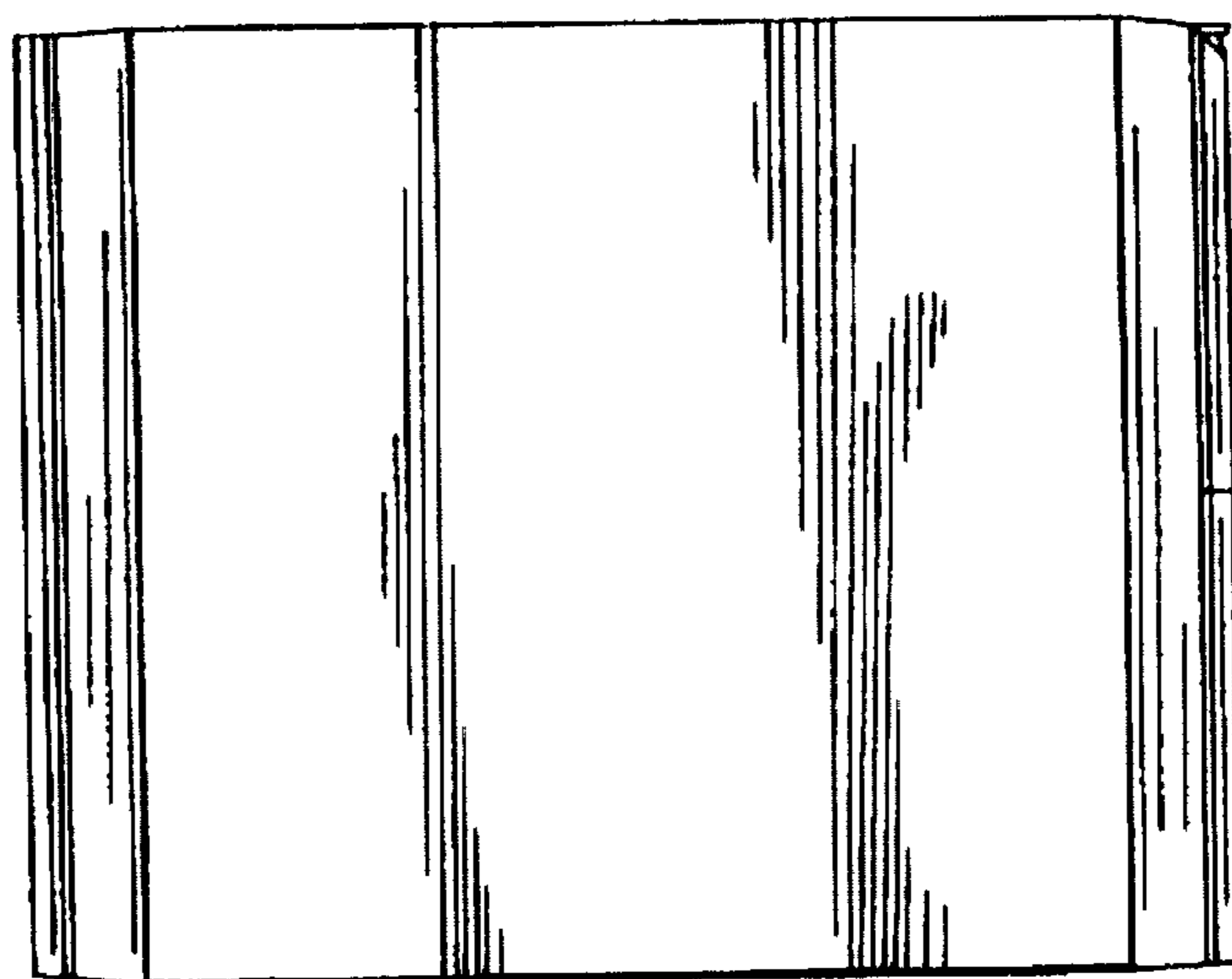


FIG. 4

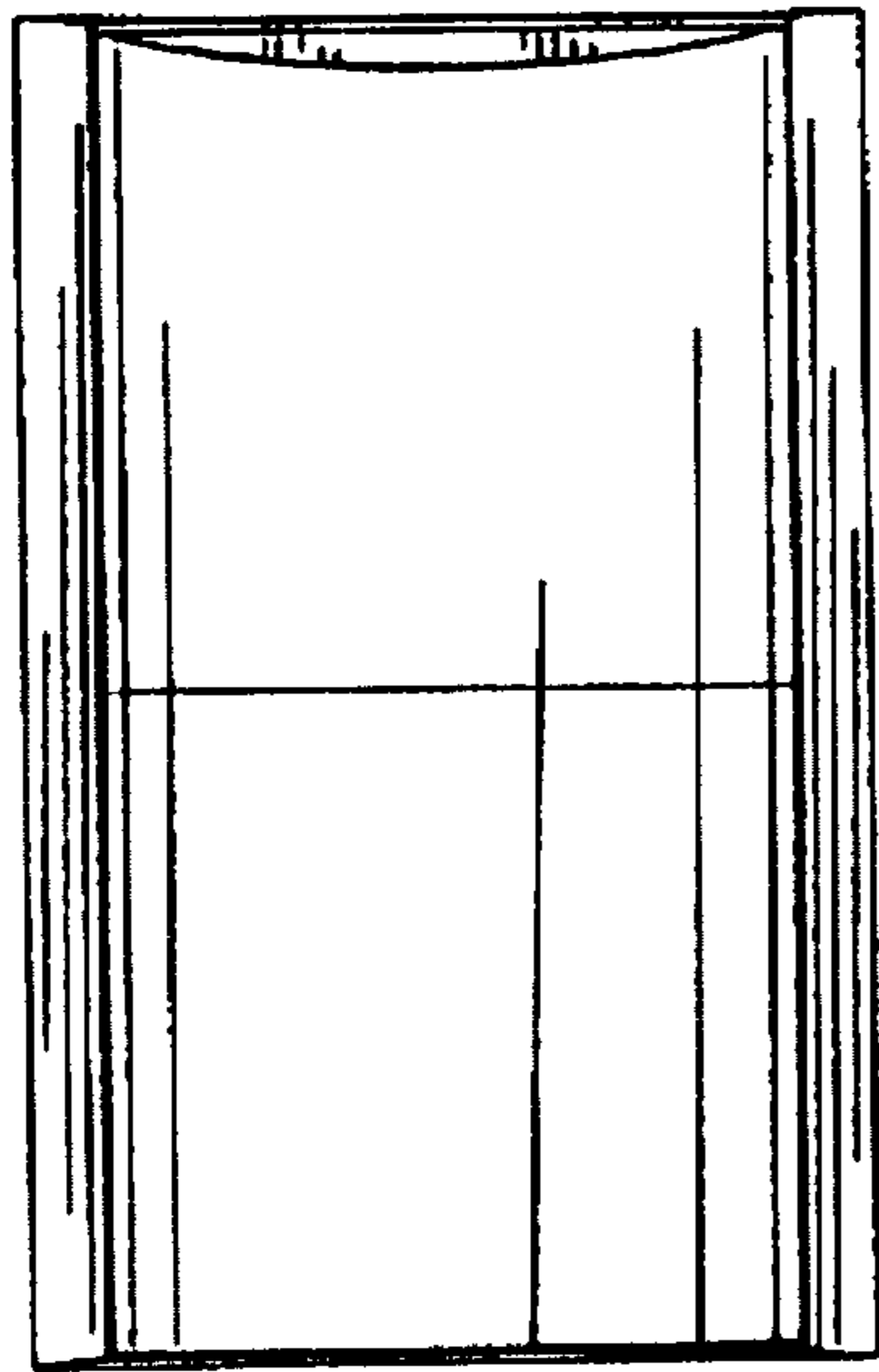


FIG. 6

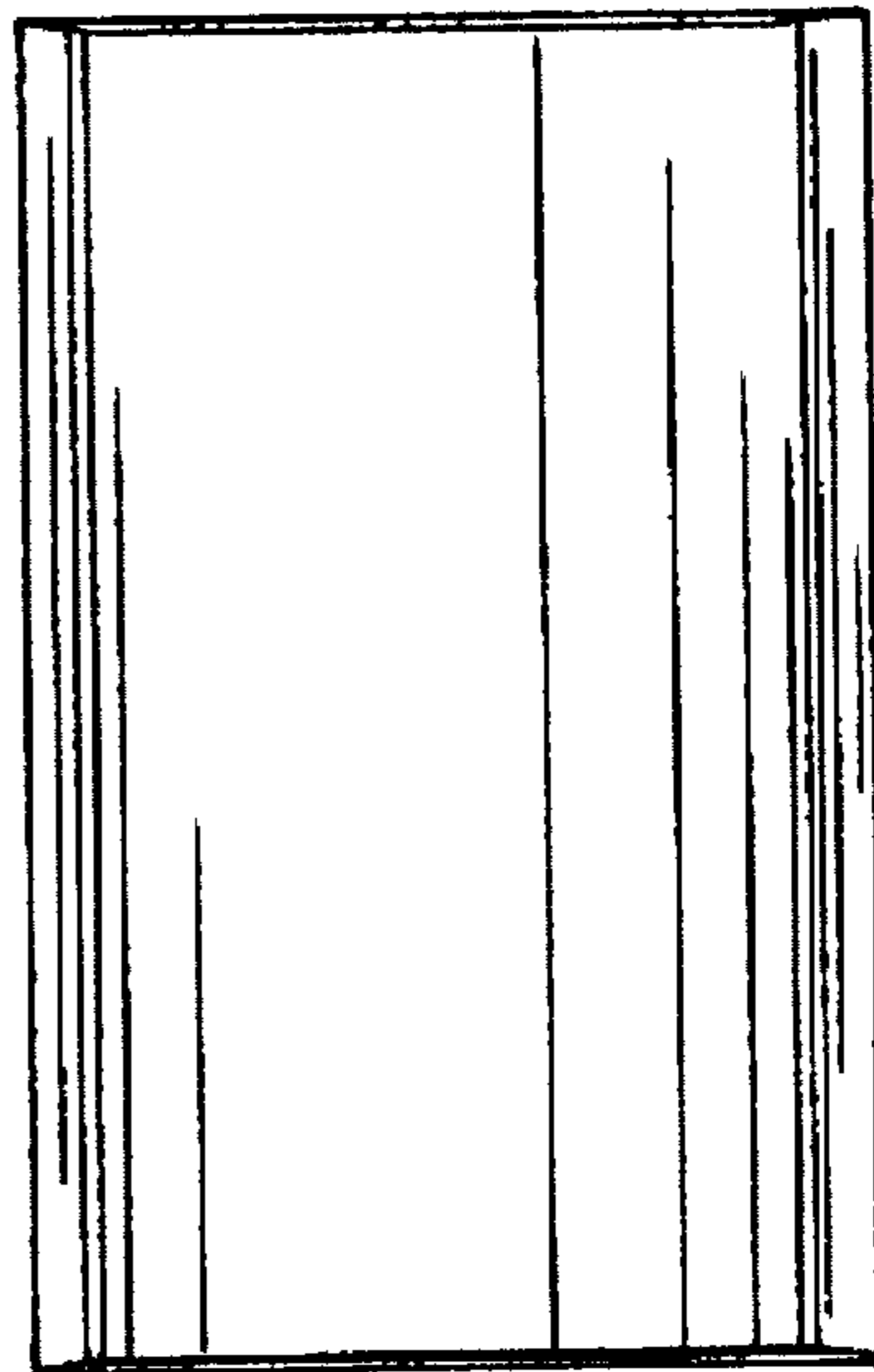


FIG. 5

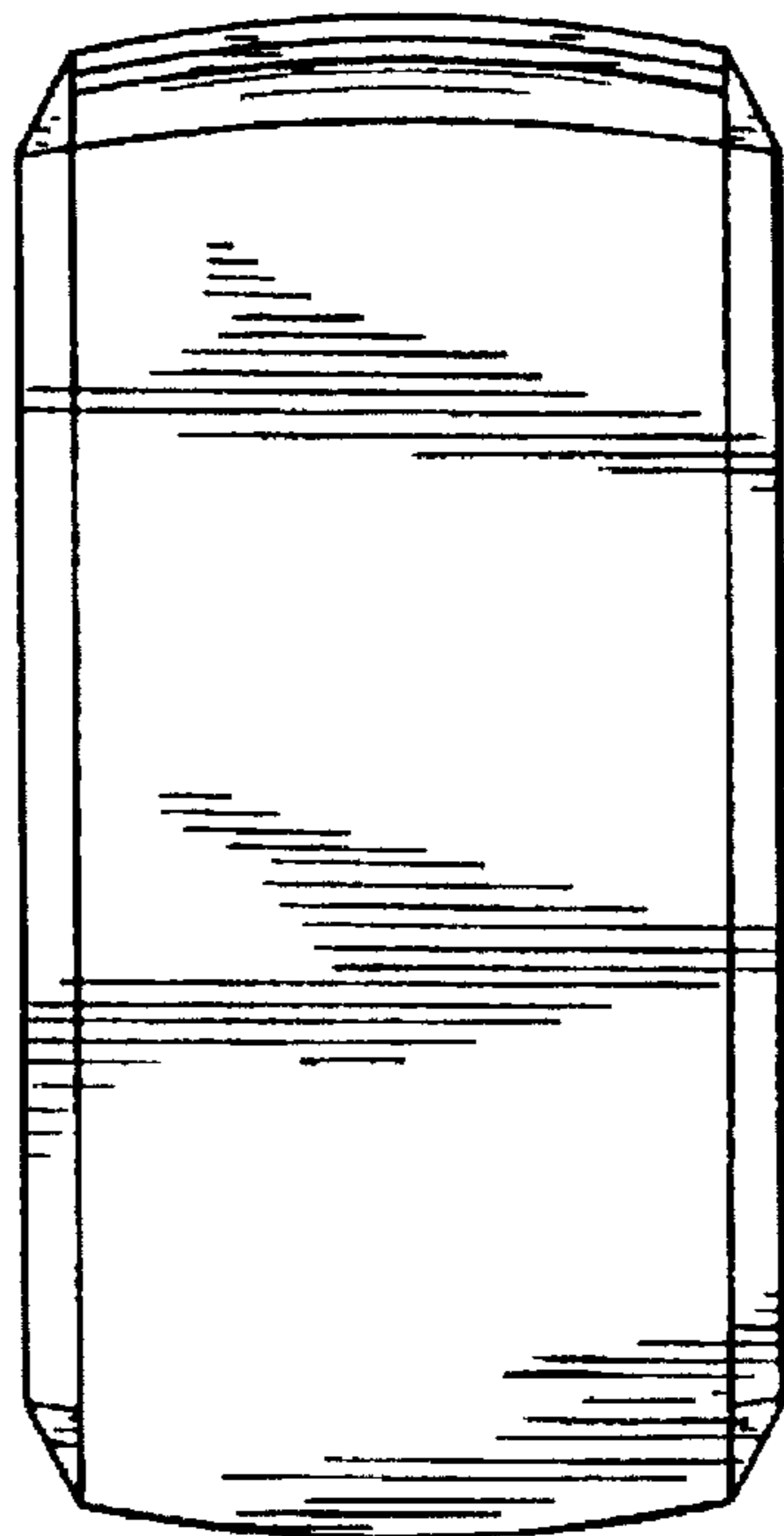


FIG. 15

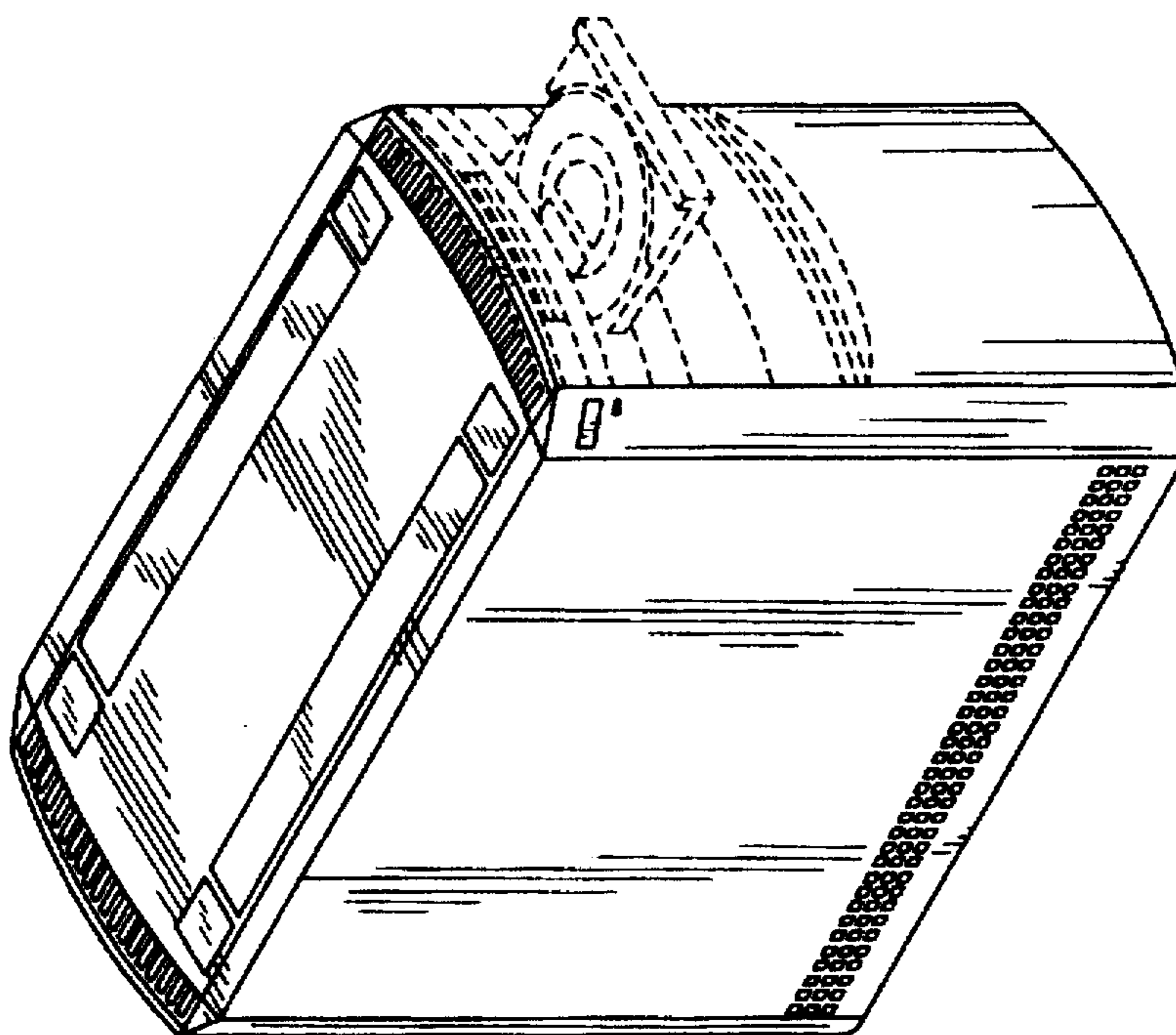


FIG. 8

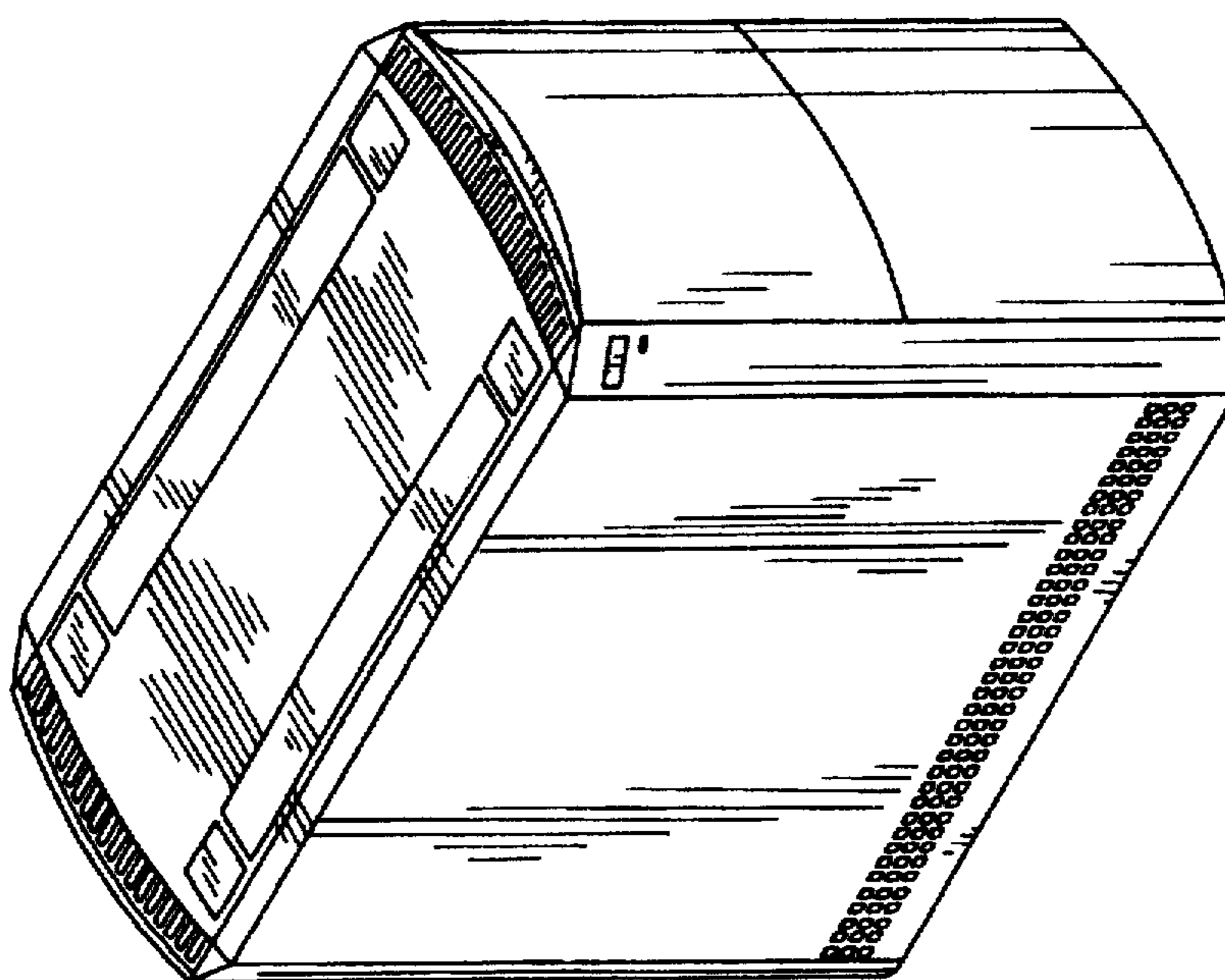


FIG. 9

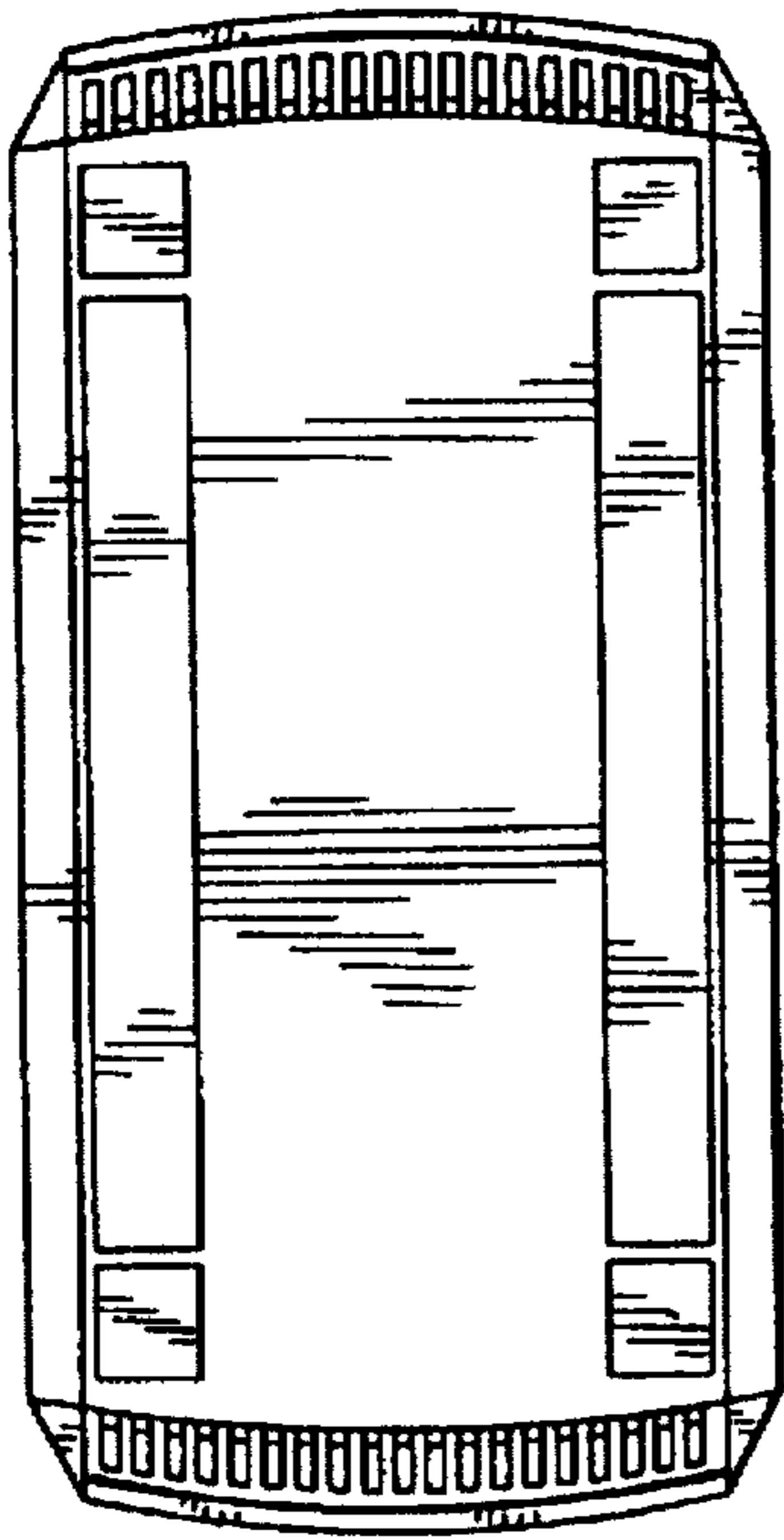


FIG. 12

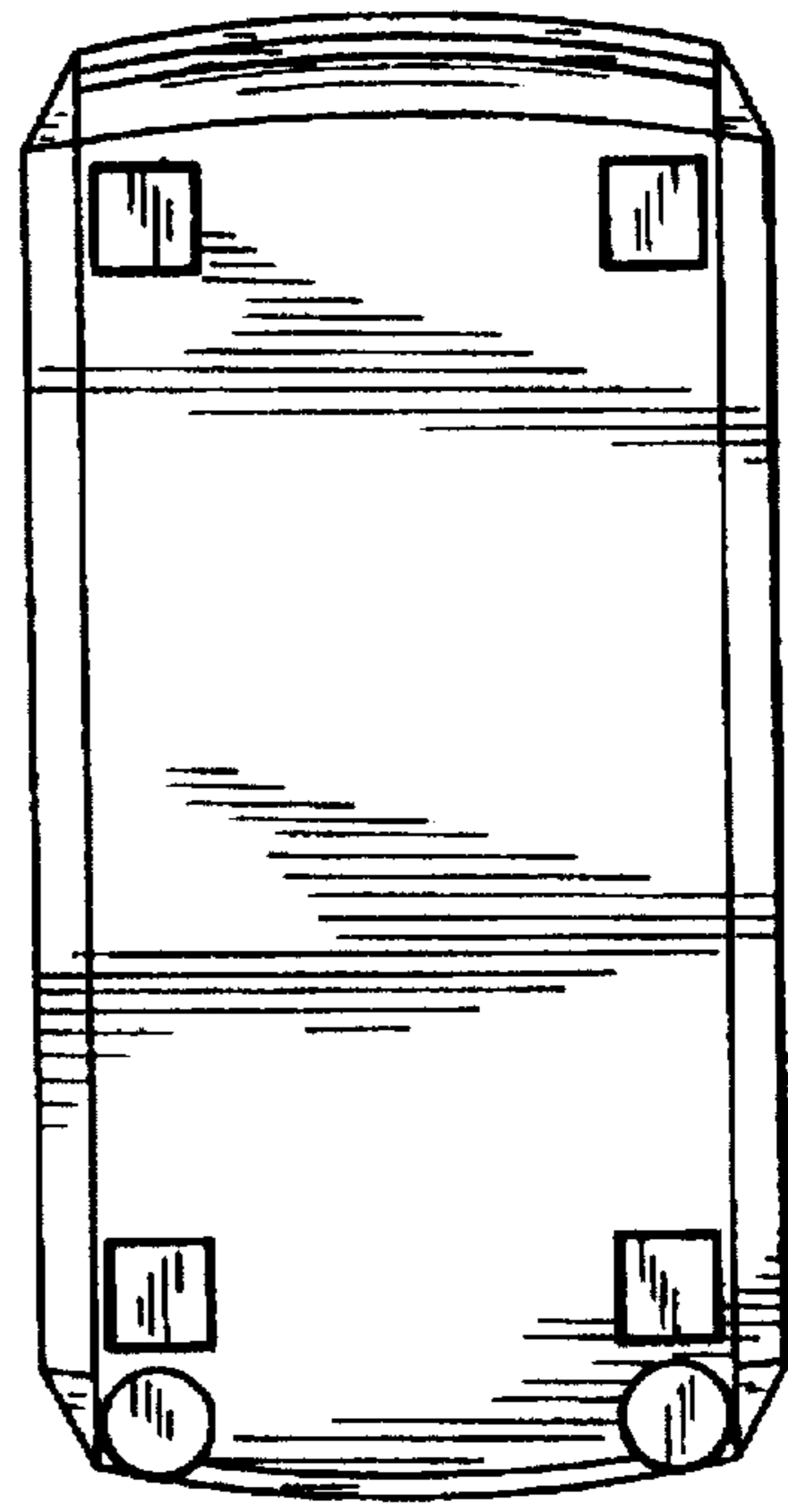


FIG. 11

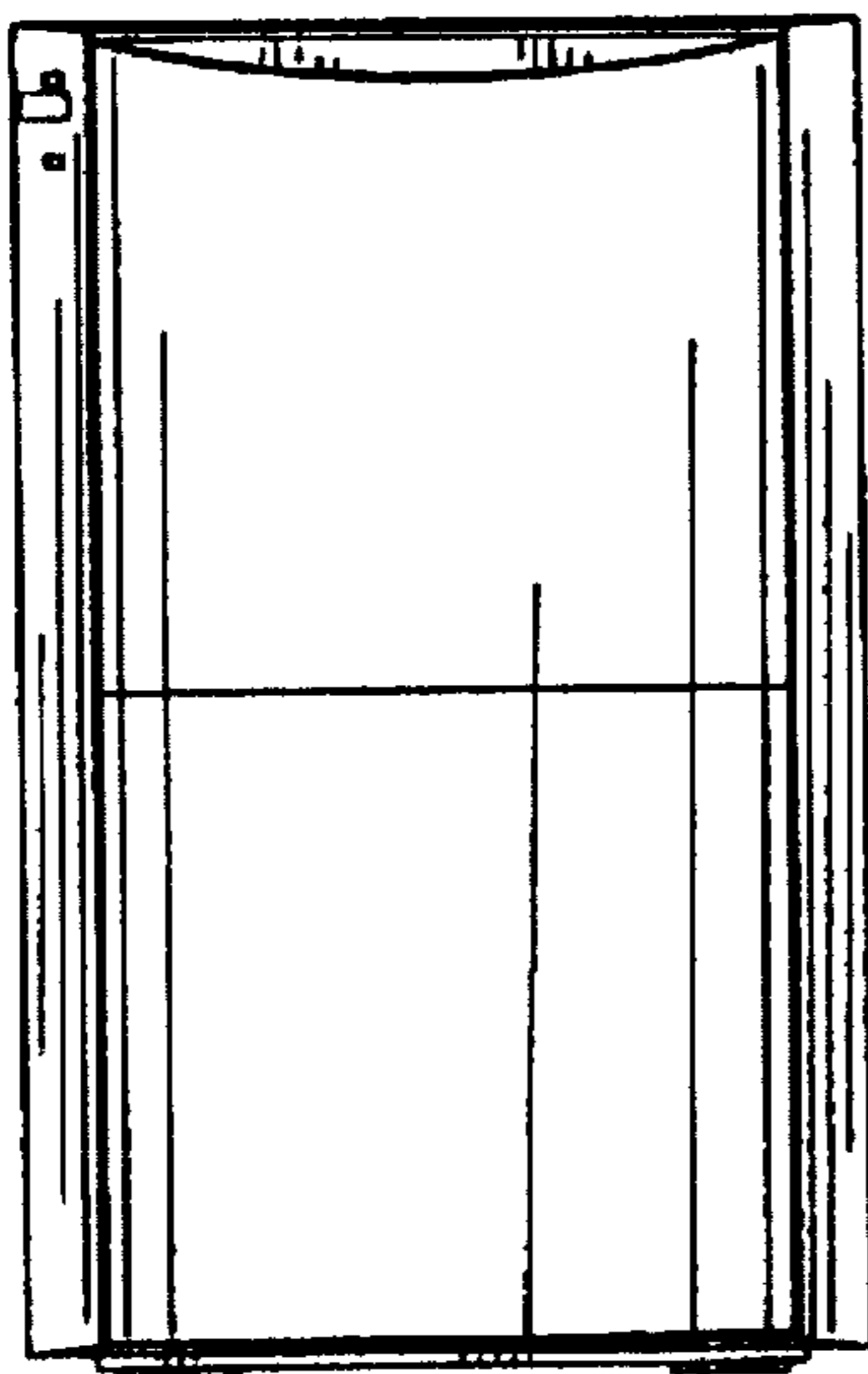


FIG. 14

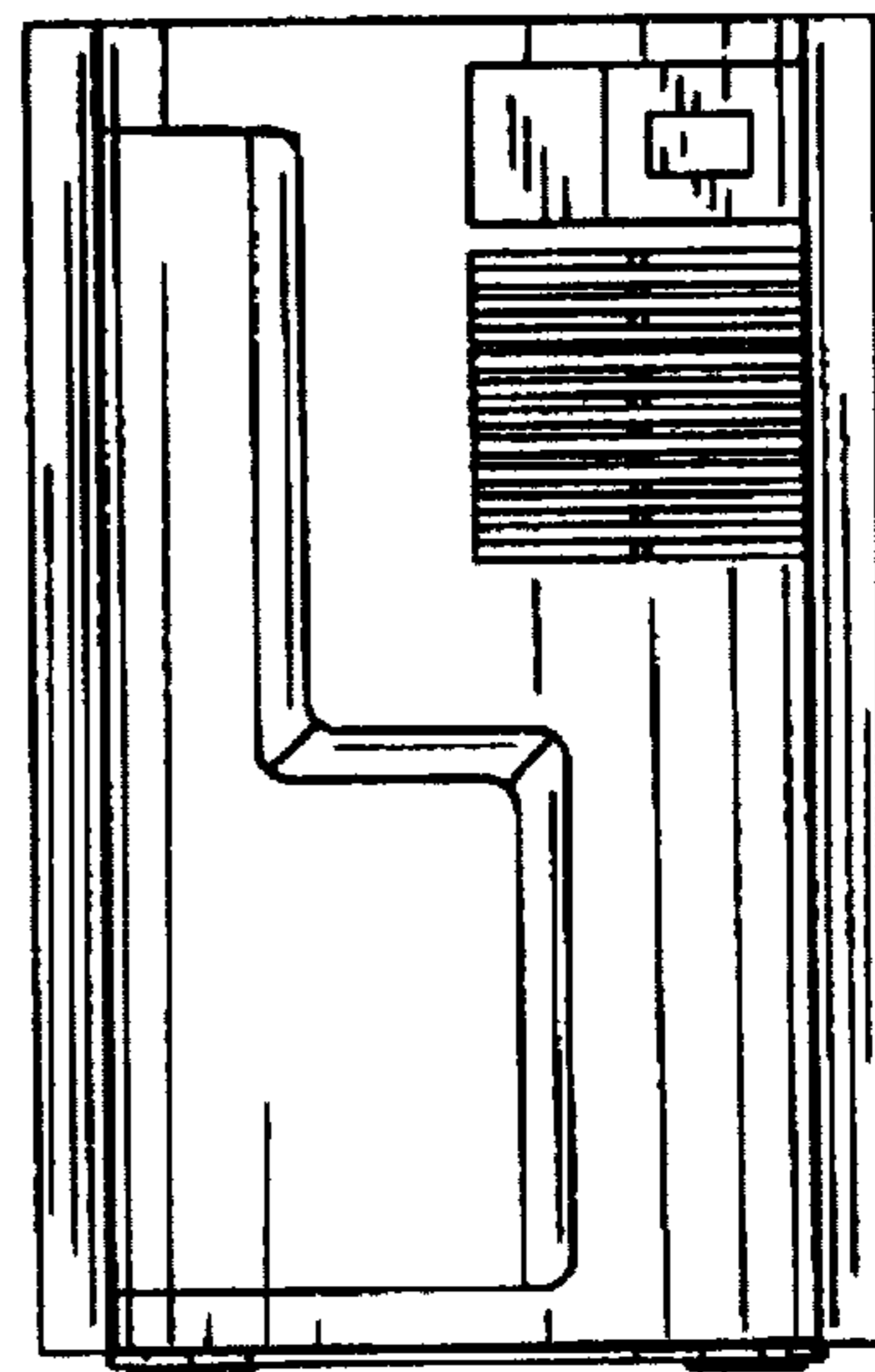


FIG. 10

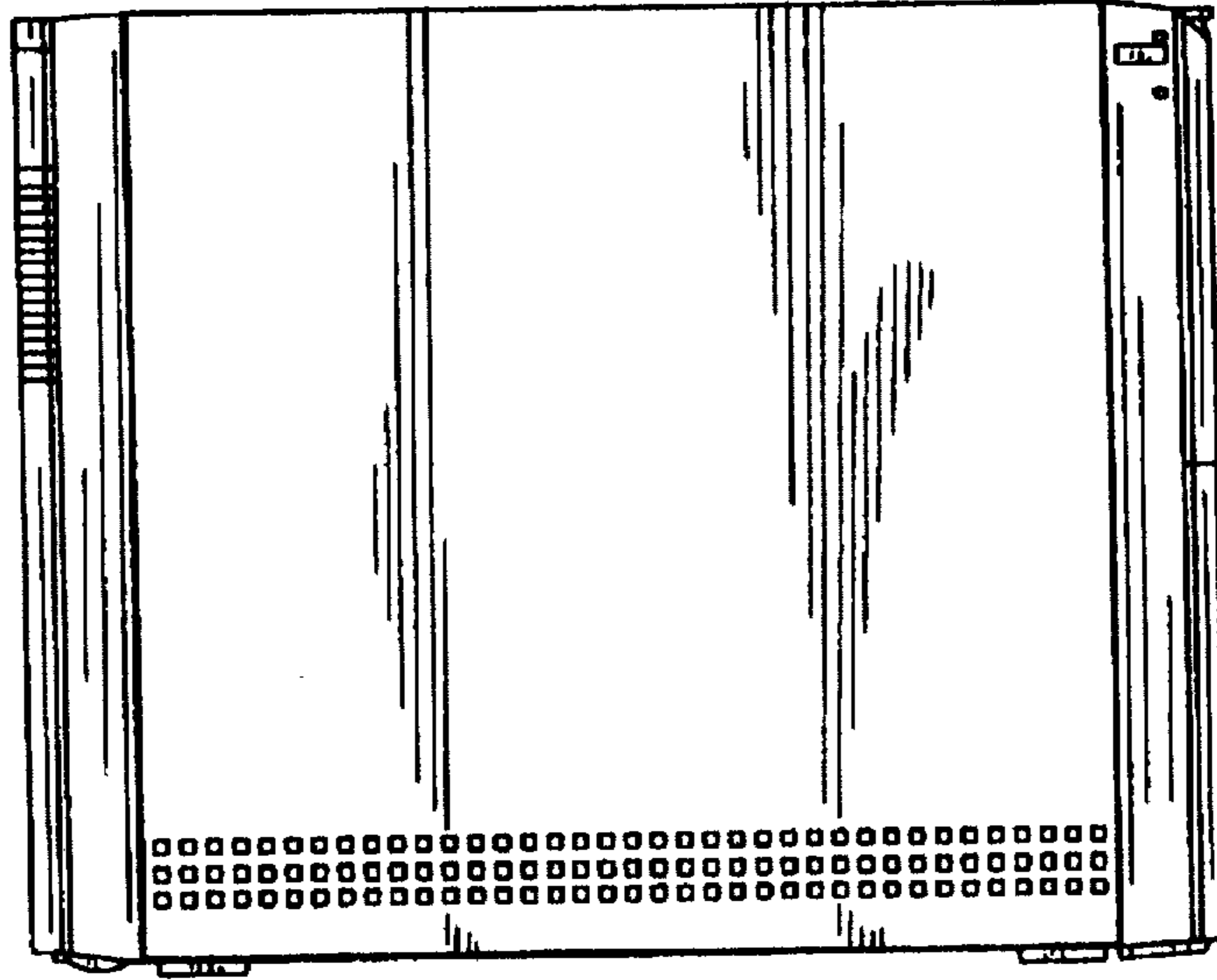


FIG. 13

