



US00D390200S

United States Patent [19]

[11] Patent Number: **Des. 390,200**

Spano

[45] Date of Patent: ****Feb. 3, 1998**

[54] ELECTRICAL BOX

4,987,761 1/1991 Saccocio D8/353 X
5,639,991 6/1997 Schuette 174/58

[76] Inventor: **John Spano**, 49 Priscilla Ave.,
Flanders, N.Y. 11901

Primary Examiner—James Gandy
Assistant Examiner—Cathron B. Matta

[**] Term: **14 Years**

[57] **CLAIM**

[21] Appl. No.: **63,172**

The ornamental design for an electrical box, as shown.

[22] Filed: **Nov. 29, 1996**

DESCRIPTION

[51] LOC (6) Cl. **13-03**

FIG. 1 is a front and upper right isometric view showing my new design;

[52] U.S. Cl. **D13/184**

FIG. 2 is a front view shown at a reduced scale;

[58] Field of Search D13/184, 158;
D8/353; 174/48-67; 220/3.2-3.7; 439/296,
345, 535

FIG. 3 is a right side elevational view shown at a reduced scale;

FIG. 4 is a left side elevational view shown at a reduced scale;

FIG. 5 is a rear view shown at a reduced scale;

FIG. 6 is a top elevational view shown at a reduced scale;
and,

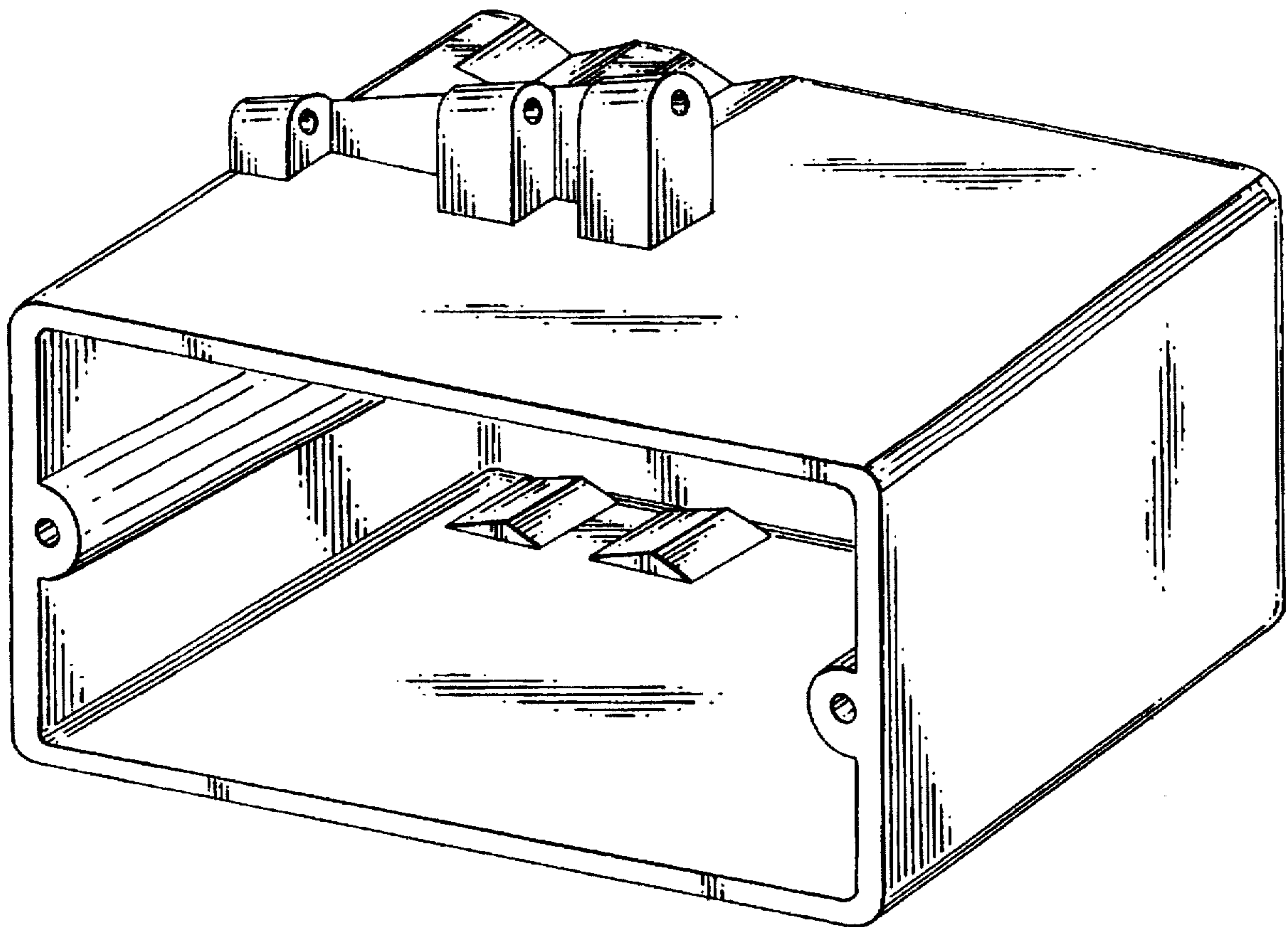
FIG. 7 is a bottom elevational view shown at a reduced scale.

[56] References Cited

U.S. PATENT DOCUMENTS

3,176,869	4/1965	Kinney	220/3.9
3,232,472	2/1966	Lang	220/3.9
3,345,029	10/1967	Palmer	248/300
3,358,866	12/1967	Kinney	220/3.9
3,596,860	8/1971	MacKay	248/547
3,740,451	6/1973	Schindler et al.	174/58

1 Claim, 3 Drawing Sheets



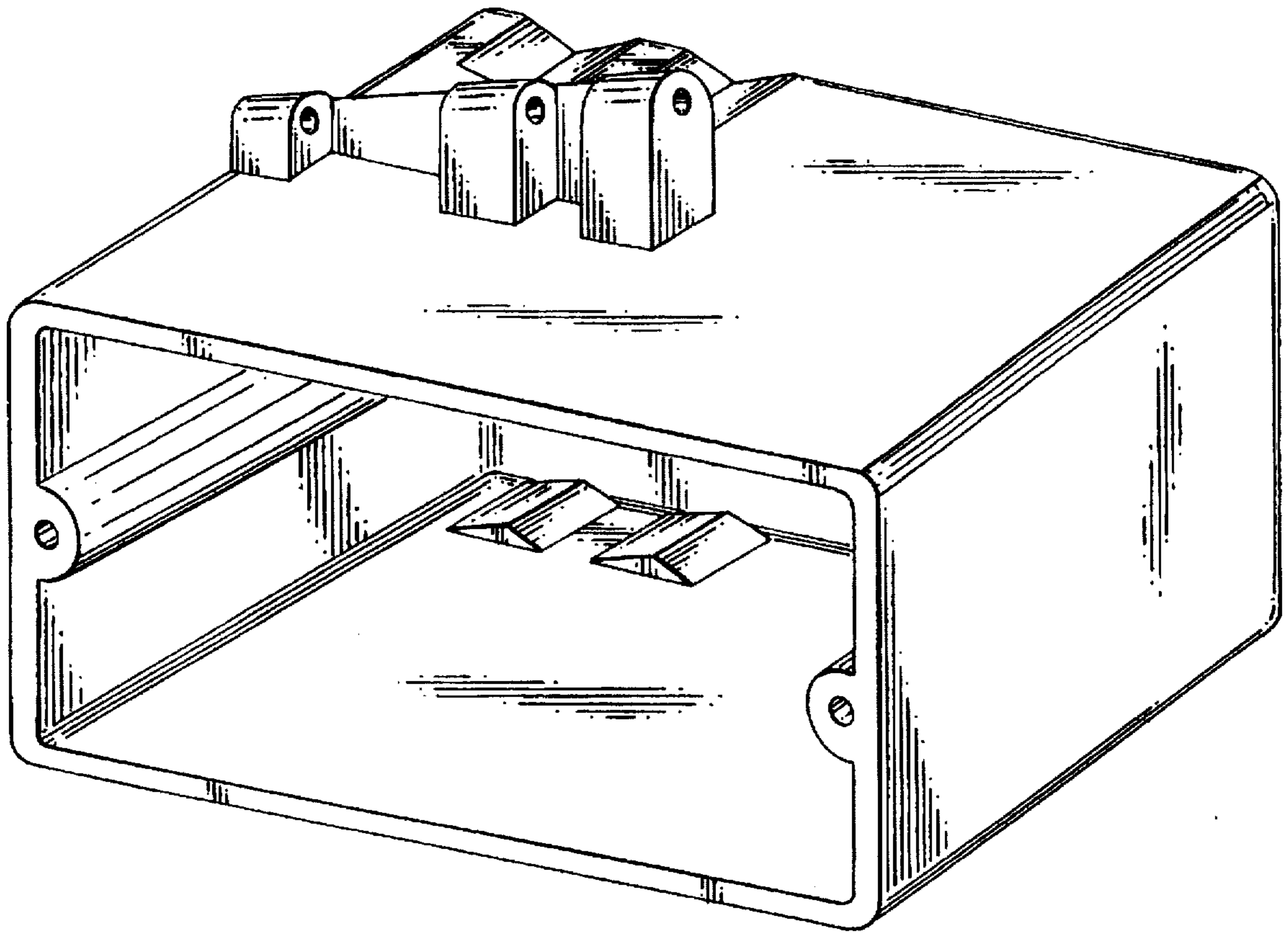


FIG. 1

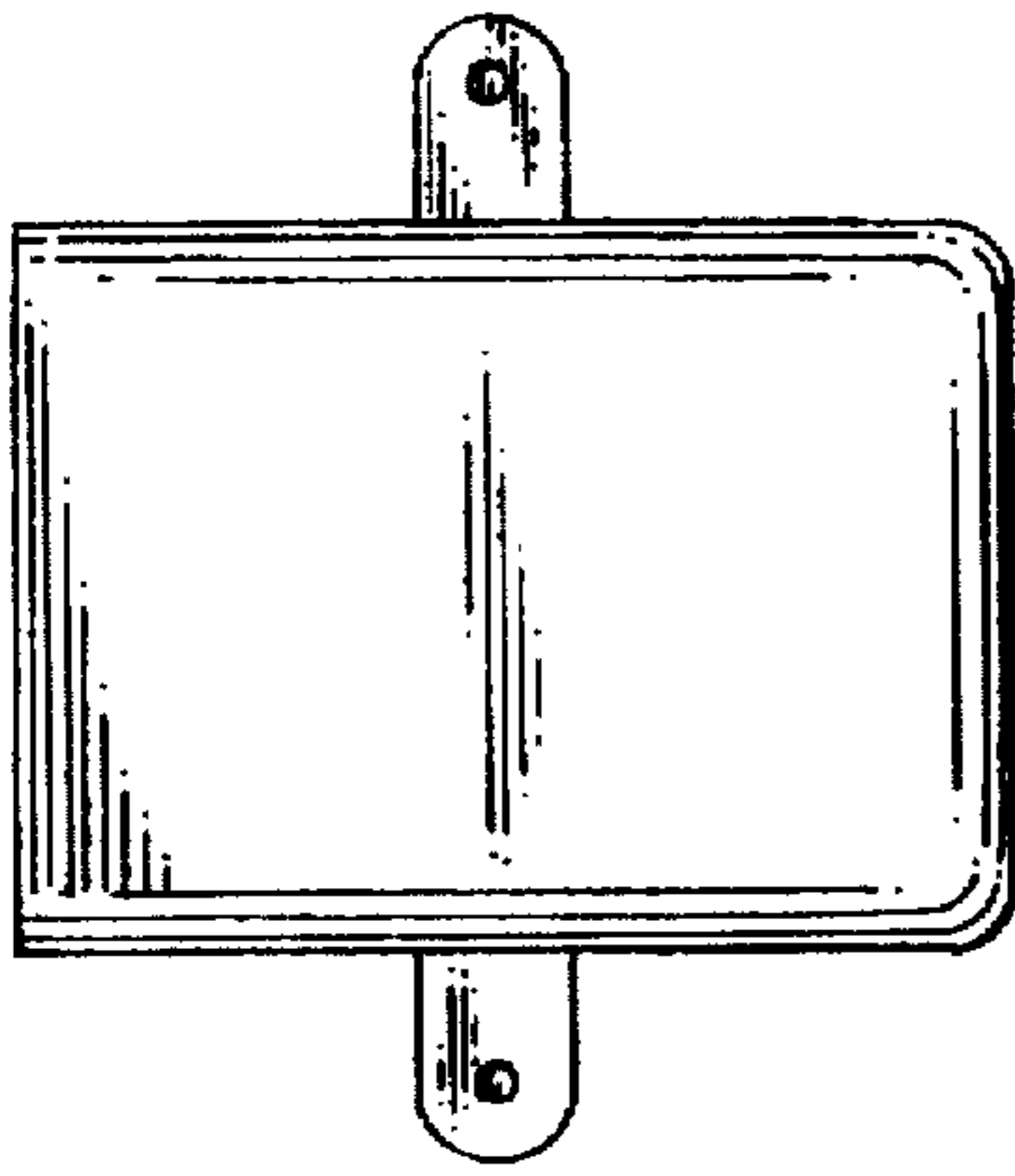


FIG.3

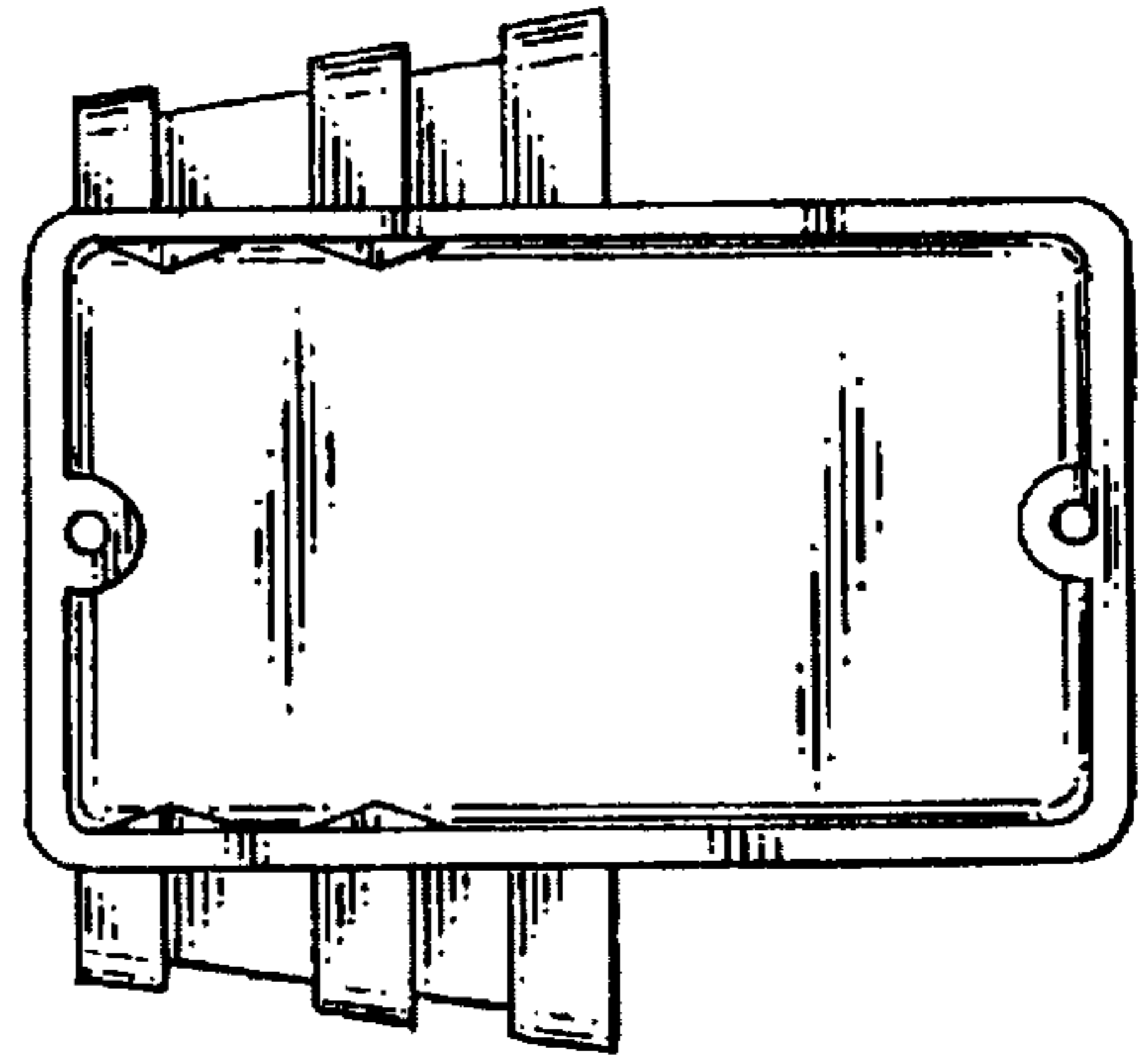


FIG.2

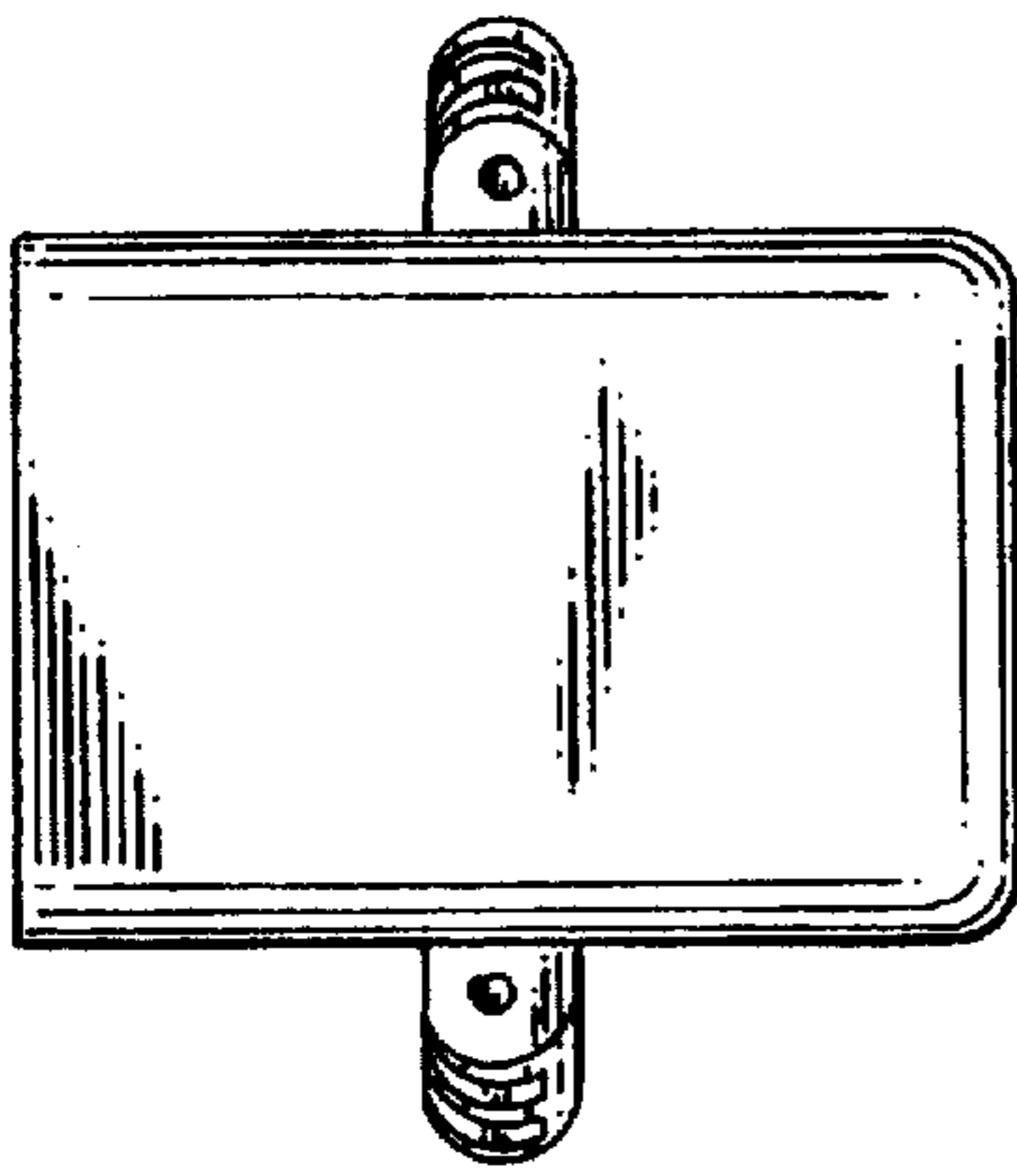


FIG.4

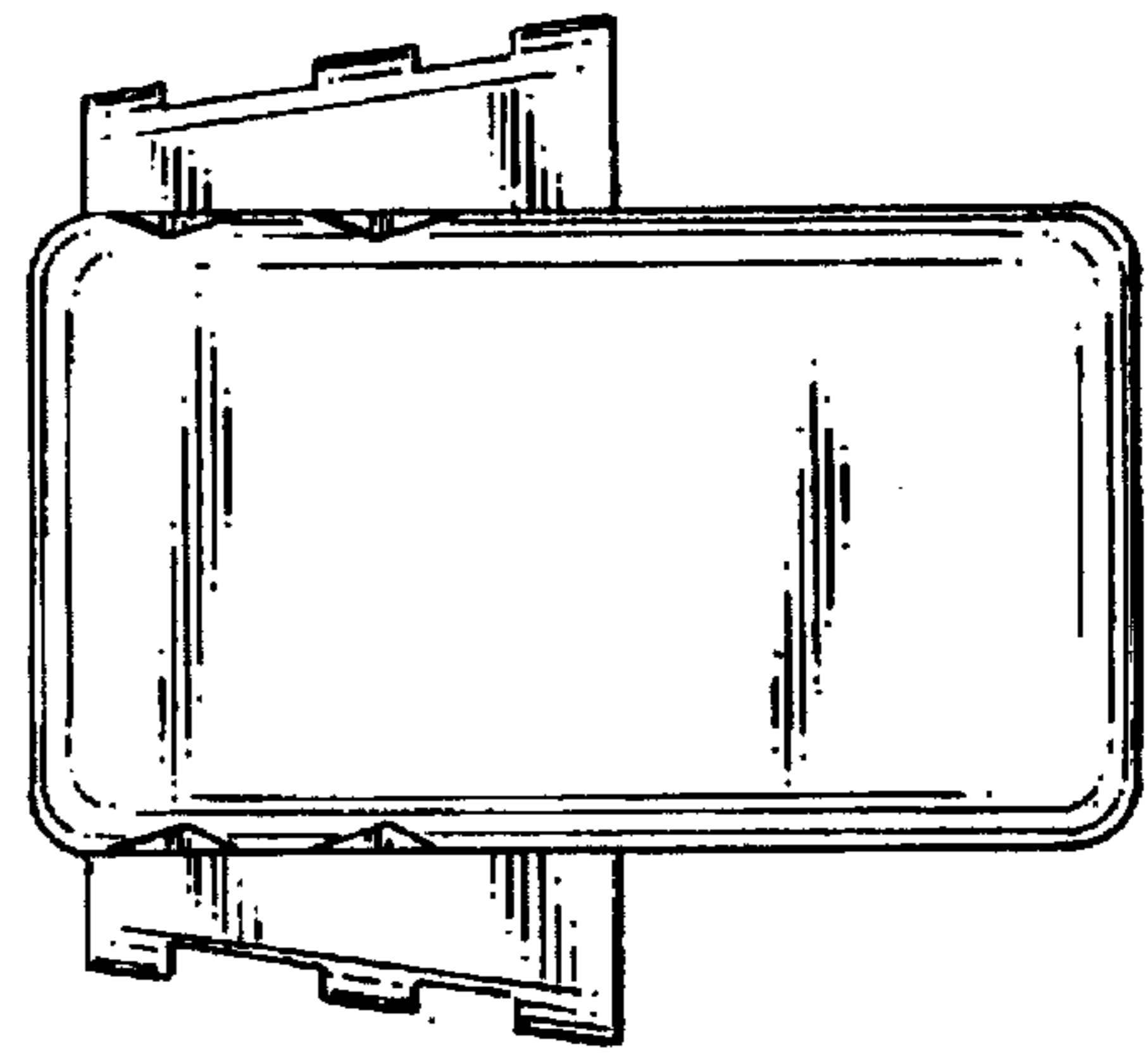


FIG.5

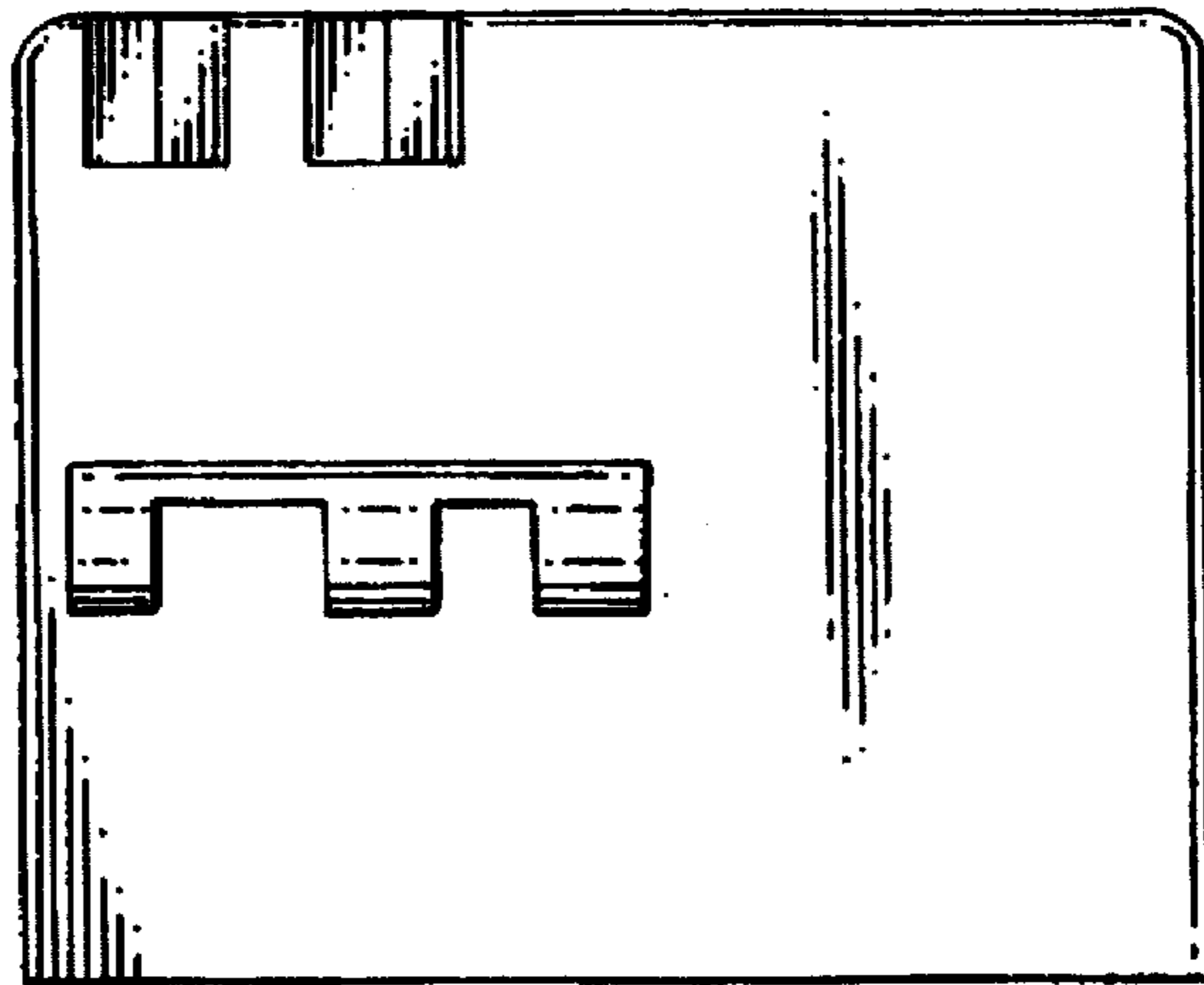


FIG. 6

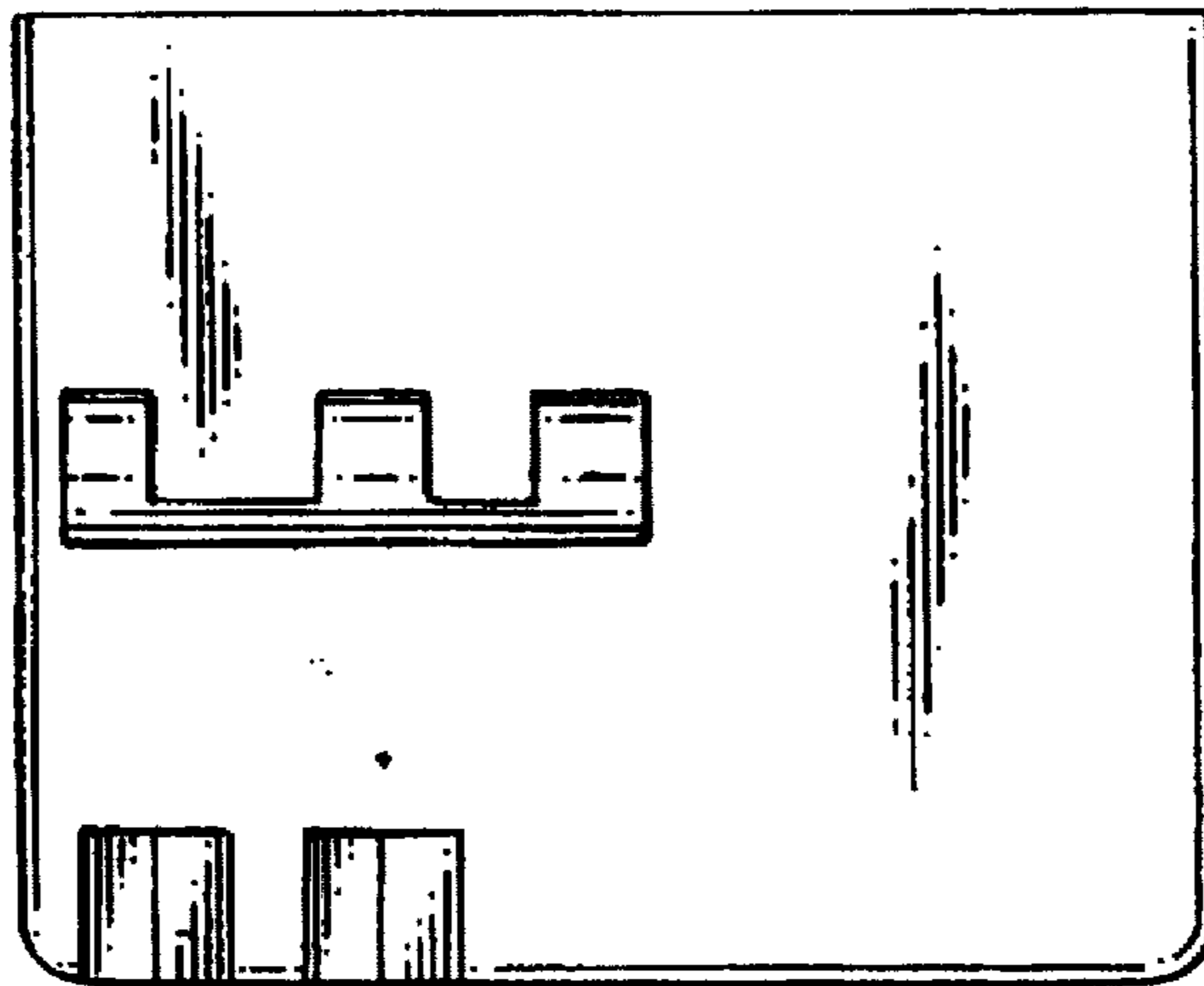


FIG. 7