



US00D390198S

**United States Patent** [19]  
**Mayfield, III**

[11] **Patent Number: Des. 390,198**  
[45] **Date of Patent: \*\*Feb. 3, 1998**

[54] **INSTRUMENT CASE**

[75] **Inventor: John T. Mayfield, III**, Stone Mountain, Ga.

[73] **Assignee: Gichner Systems Group, Inc.**, Tucker, Ga.

[\*\*] **Term: 14 Years**

[21] **Appl. No.: 59,157**

[22] **Filed: Sep. 4, 1996**

[51] **LOC (6) Cl. .... 13-03**

[52] **U.S. Cl. .... D13/184**

[58] **Field of Search .... D13/162, 184;**  
D10/80, 103, 125; D14/100, 102, 107,  
114; 174/50-65 G, 65 R, 76, 84 R, 35 R,  
48, 49; 361/600-821; 312/263, 265.4, 265.5,  
296; 206/701, 722-724

[56] **References Cited**

**U.S. PATENT DOCUMENTS**

D. 314,185	1/1991	Mazura et al. ....	D13/184
D. 375,942	11/1996	Fursler et al. ....	D13/184
4,172,623	10/1979	Anderson ....	174/52.1 X
5,545,845	8/1996	Flores ....	174/35 R

**OTHER PUBLICATIONS**

Rittal Corp. Brochure, "Switch To Perfection Rittal," undated.

Rittal Corp. Brochure, "Tischgehäuse-Rittal Vario-Case HF" undated.

Stantron Brochure, "Modular Electronics Cabinets-Bench Cabinets" undated.

Schroff Inc. Brochure, "Comptec" undated.

*Primary Examiner*—James Gandy

*Assistant Examiner*—Cathron B. Matta

*Attorney, Agent, or Firm*—Jones & Askew, LLP

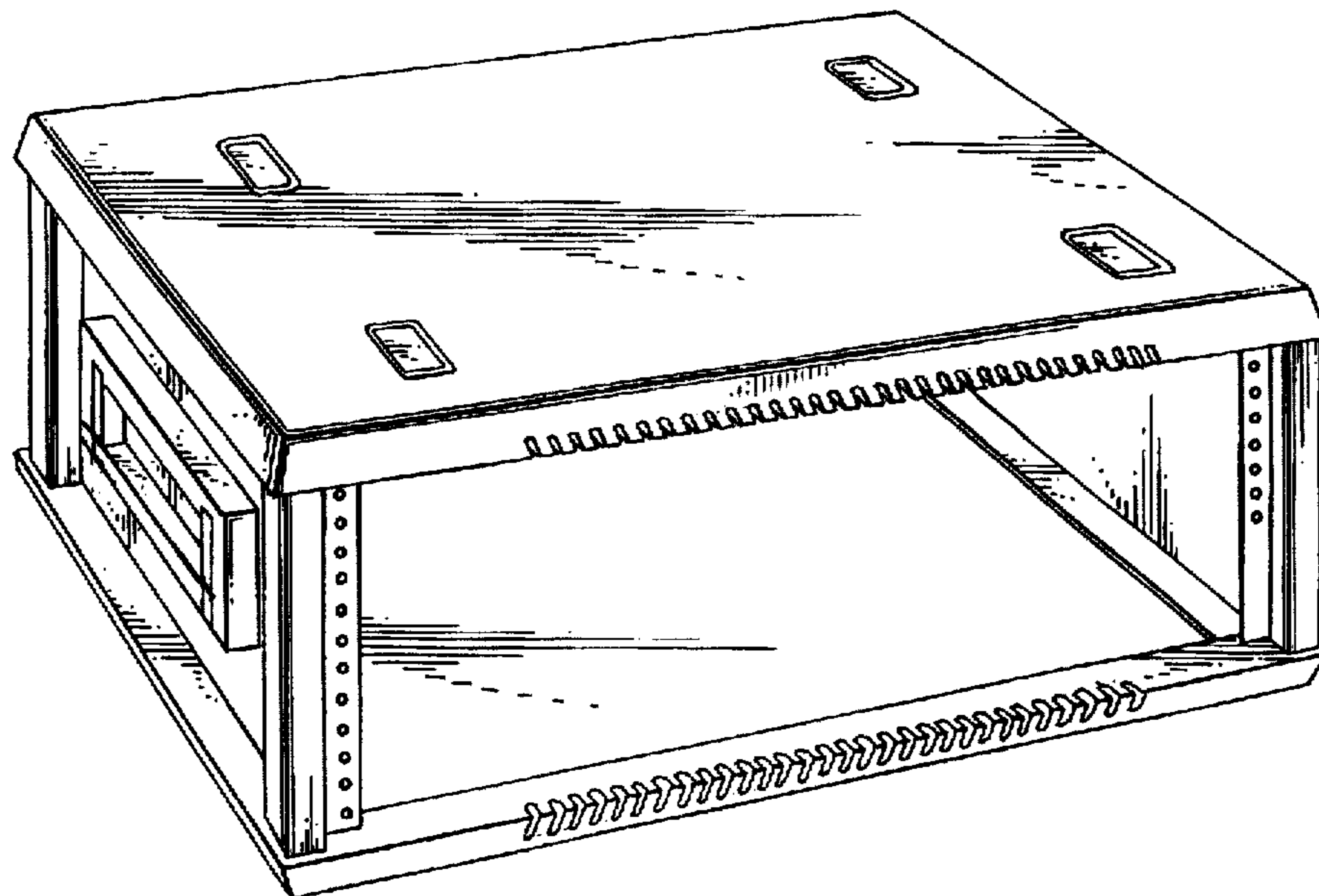
[57] **CLAIM**

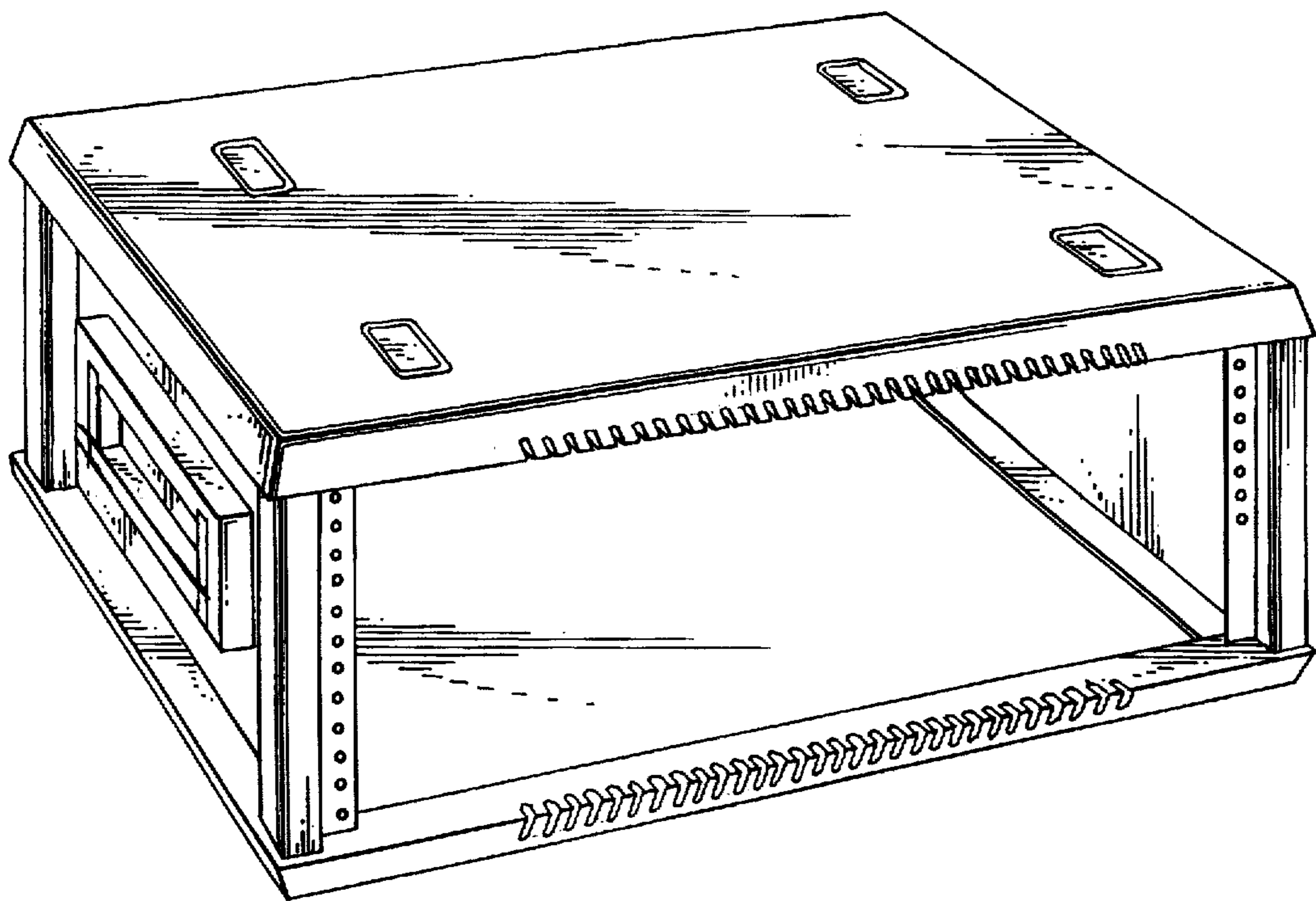
The ornamental design for an instrument case, as shown and described.

**DESCRIPTION**

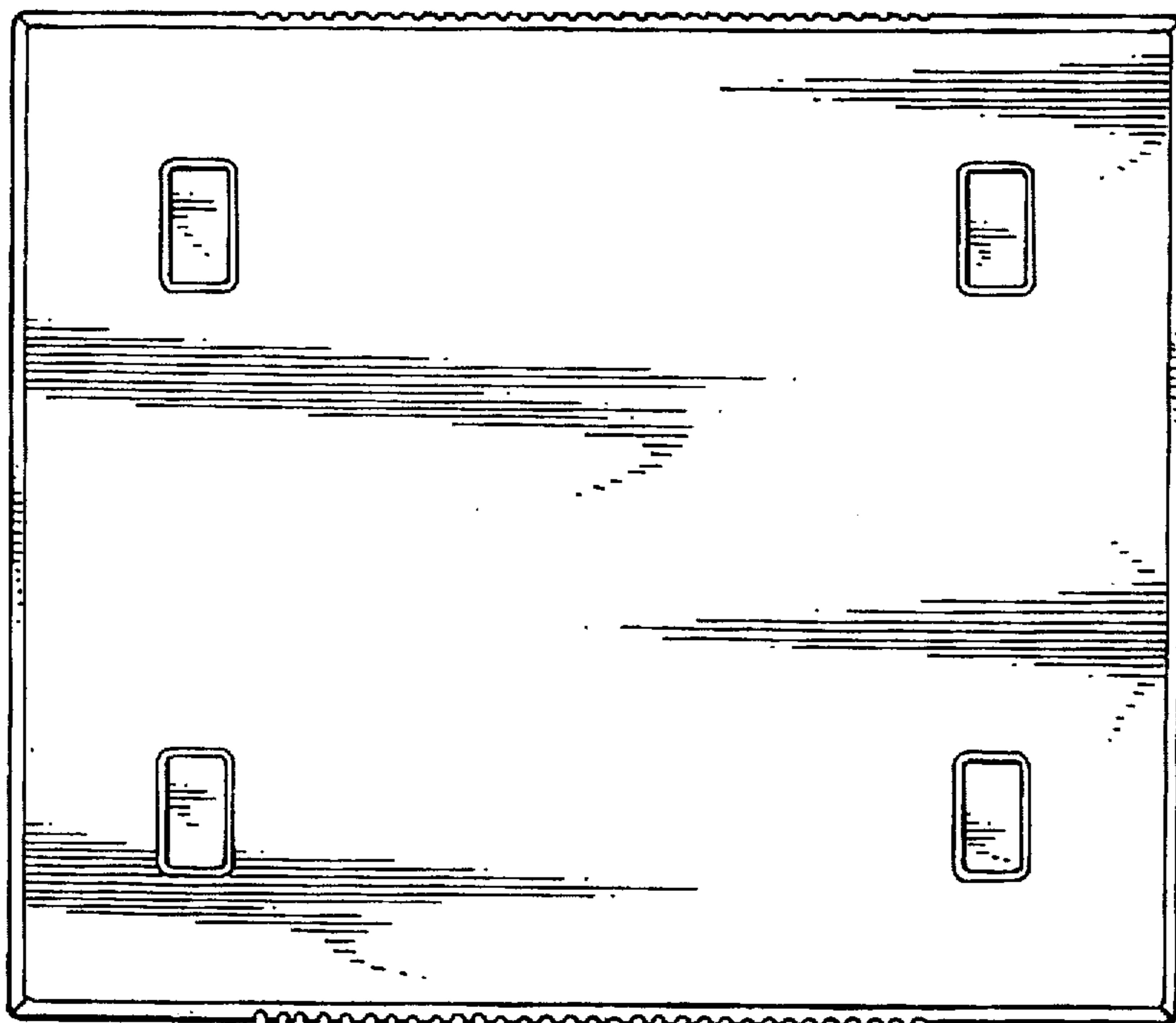
FIG. 1 is a perspective view of my new instrument case; FIG. 2 is a top plan view thereof; FIG. 3 is a front plan view thereof, the back plan view being identical thereto; FIG. 4 is a left side view thereof, the right side view being a mirror image thereof; and, FIG. 5 is a bottom plan view thereof.

**1 Claim, 3 Drawing Sheets**

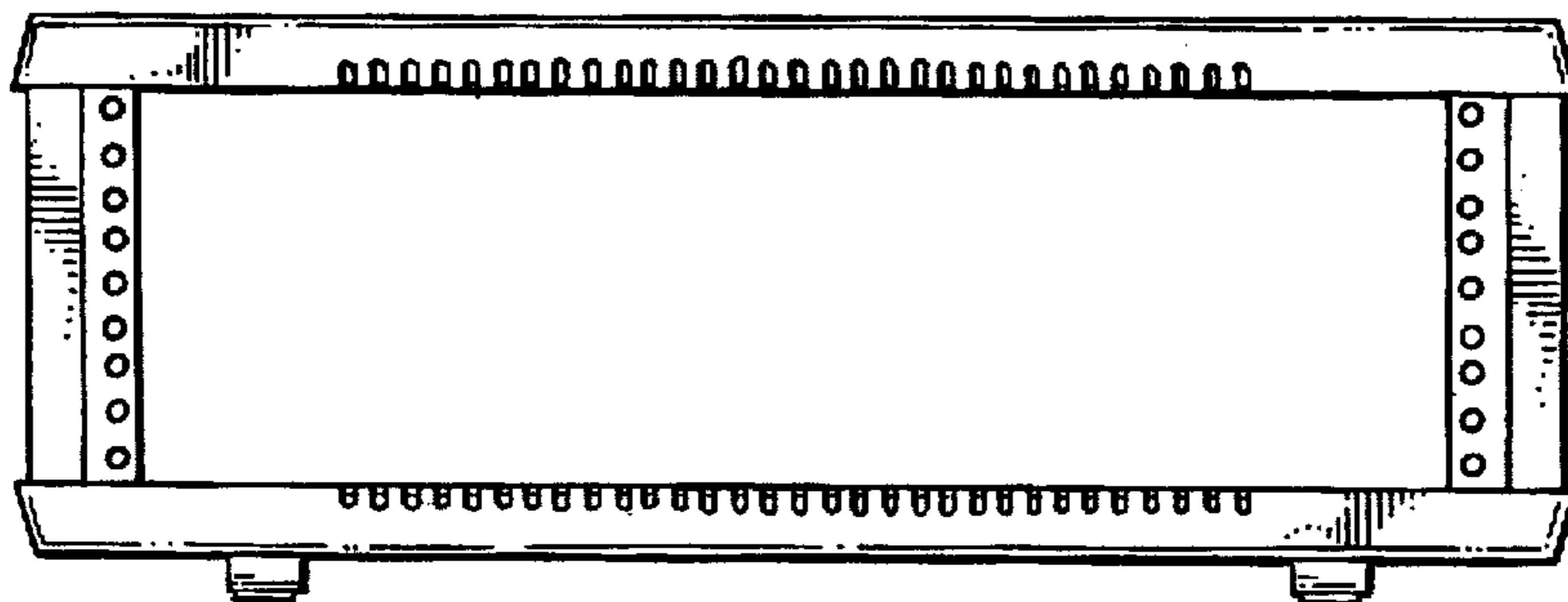




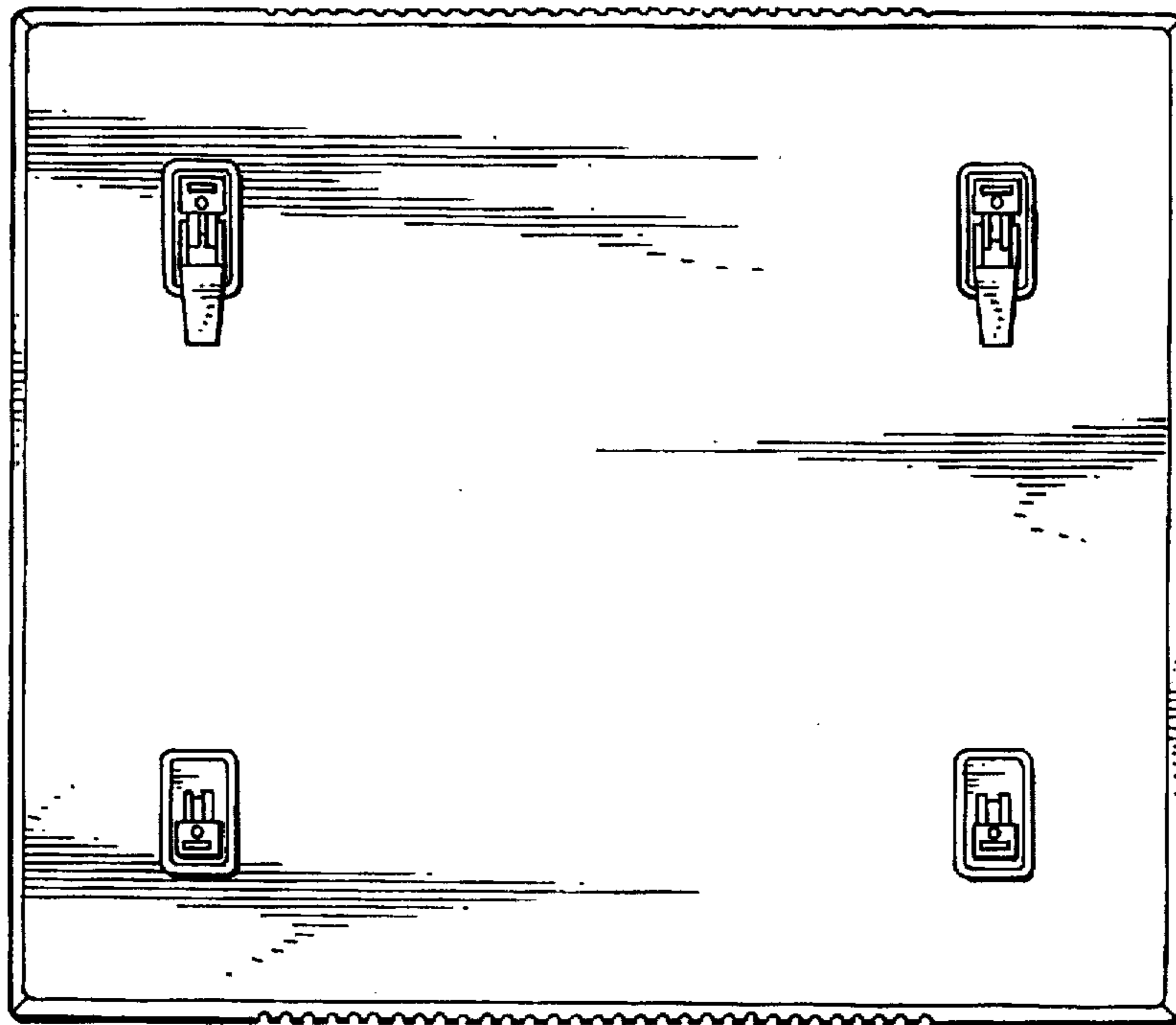
**Fig. 1**



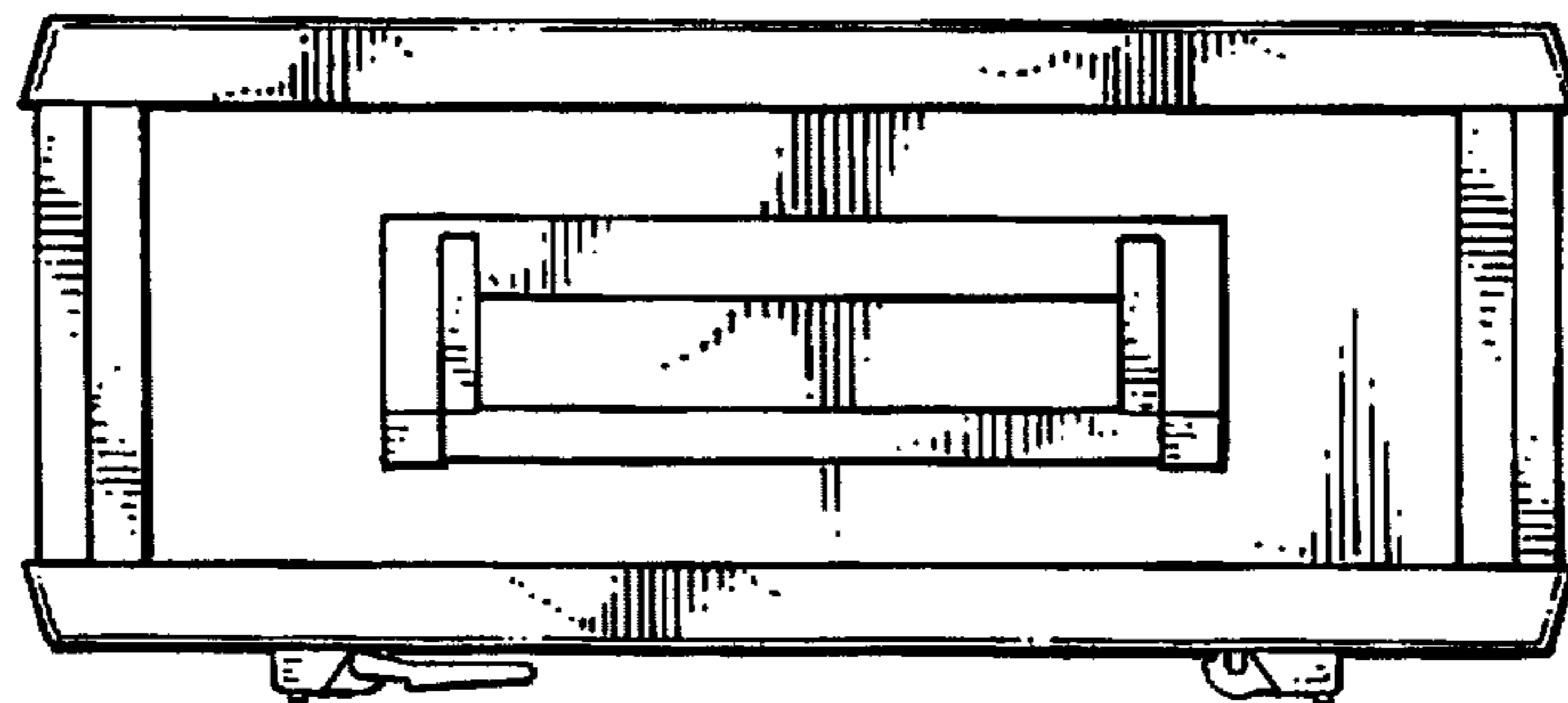
*Fig. 2*



*Fig. 3*



**Fig. 5**



**Fig. 4**