



US00D390192S

# United States Patent [19] Ono

[11] Patent Number: **Des. 390,192**  
[45] Date of Patent: **\*\*Feb. 3, 1998**

[54] **ELECTRICAL CONNECTOR**

[75] Inventor: **Naoyuki Ono**, Tokyo, Japan

[73] Assignee: **SMK Corporation**, Tokyo, Japan

[\*\*] Term: **14 Years**

[21] Appl. No.: **59,173**

[22] Filed: **Sep. 4, 1996**

[30] **Foreign Application Priority Data**

Mar. 4, 1996 [JP] Japan ..... 8-5819

[51] LOC (6) Cl. .... **13-03**

[52] U.S. Cl. .... **D13/147**

[58] Field of Search ..... D13/133, 146,  
D13/147; 439/101, 108, 569, 607-610,  
676, 660, 668, 682

[56] **References Cited**

**U.S. PATENT DOCUMENTS**

D. 252,268 7/1979 Jonsson ..... D13/147  
D. 336,632 6/1993 Nakata et al. .... D13/133  
4,679,879 7/1987 Triner et al. .... 439/607 X

4,911,659 3/1990 Viselli ..... 439/607 X  
5,017,156 5/1991 Sugiyama ..... 439/607  
5,035,652 7/1991 Shibano ..... 439/610  
5,083,945 1/1992 Miskin et al. .... 439/607

*Primary Examiner*—Alan P. Douglas  
*Assistant Examiner*—Lavone D. Tabor  
*Attorney, Agent, or Firm*—Armstrong, Westerman, Hattori,  
McLeland & Naughton

[57] **CLAIM**

The ornamental design for an electrical connector, as shown and described.

**DESCRIPTION**

FIG. 1 is a perspective view taken from the top left hand end of FIG. 2 of an electrical connector showing my new ornamental design;  
FIG. 2 is a front elevational view thereof;  
FIG. 3 is a rear elevational view thereof;  
FIG. 4 is a top view thereof;  
FIG. 5 is a bottom view thereof;  
FIG. 6 is a left side view thereof; and,  
FIG. 7 is a right side view thereof.

**1 Claim, 2 Drawing Sheets**

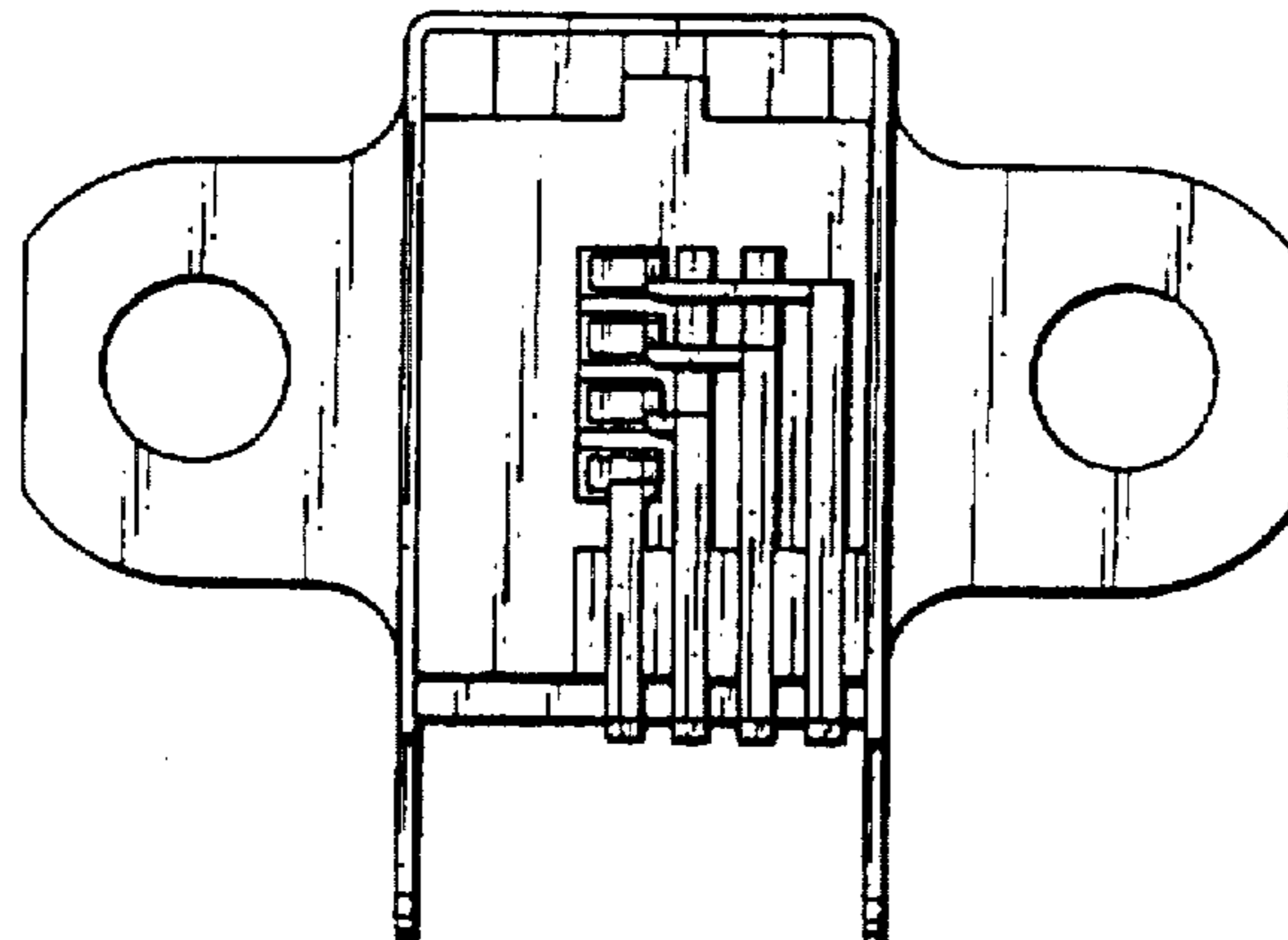
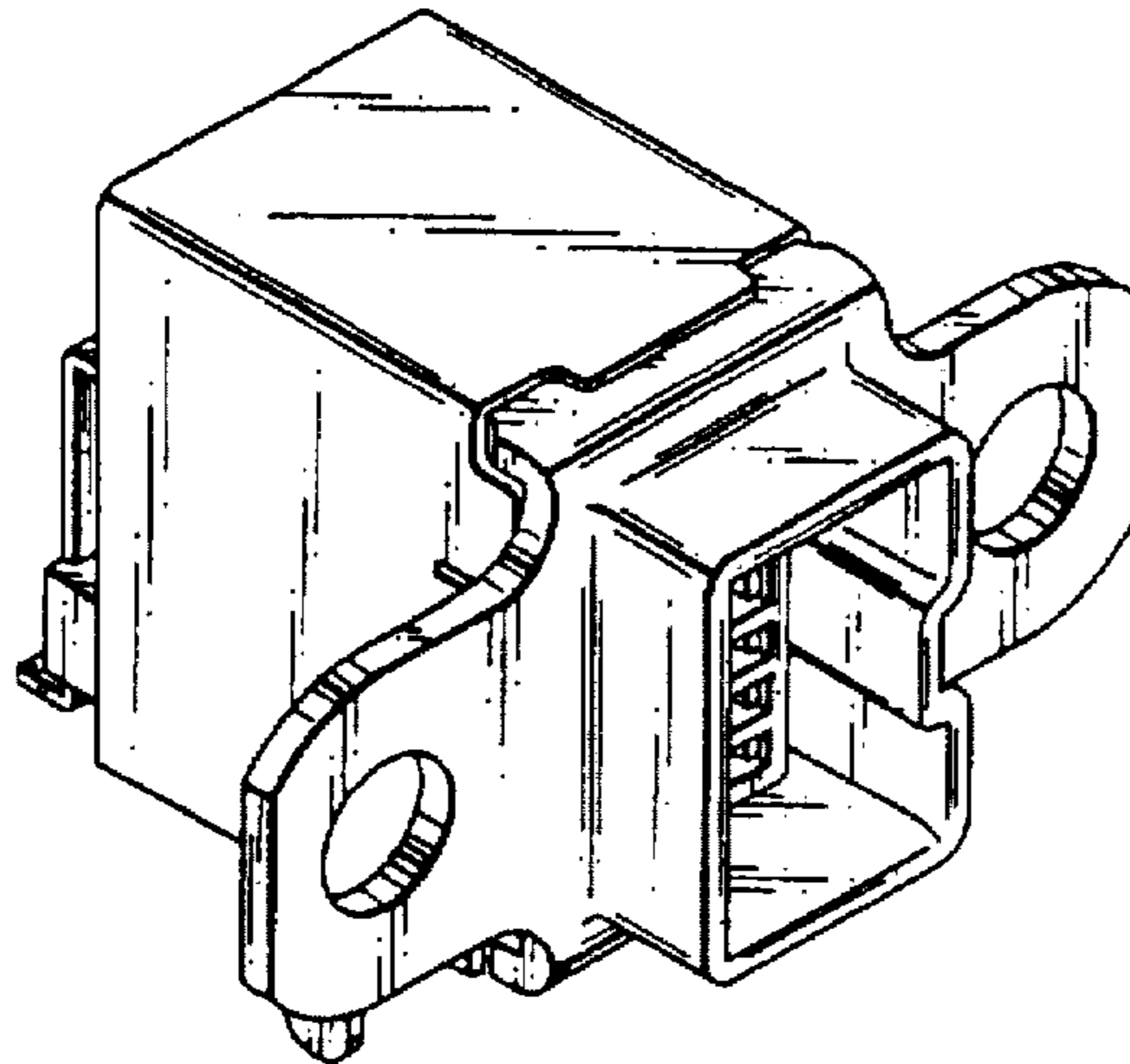


FIG. 1

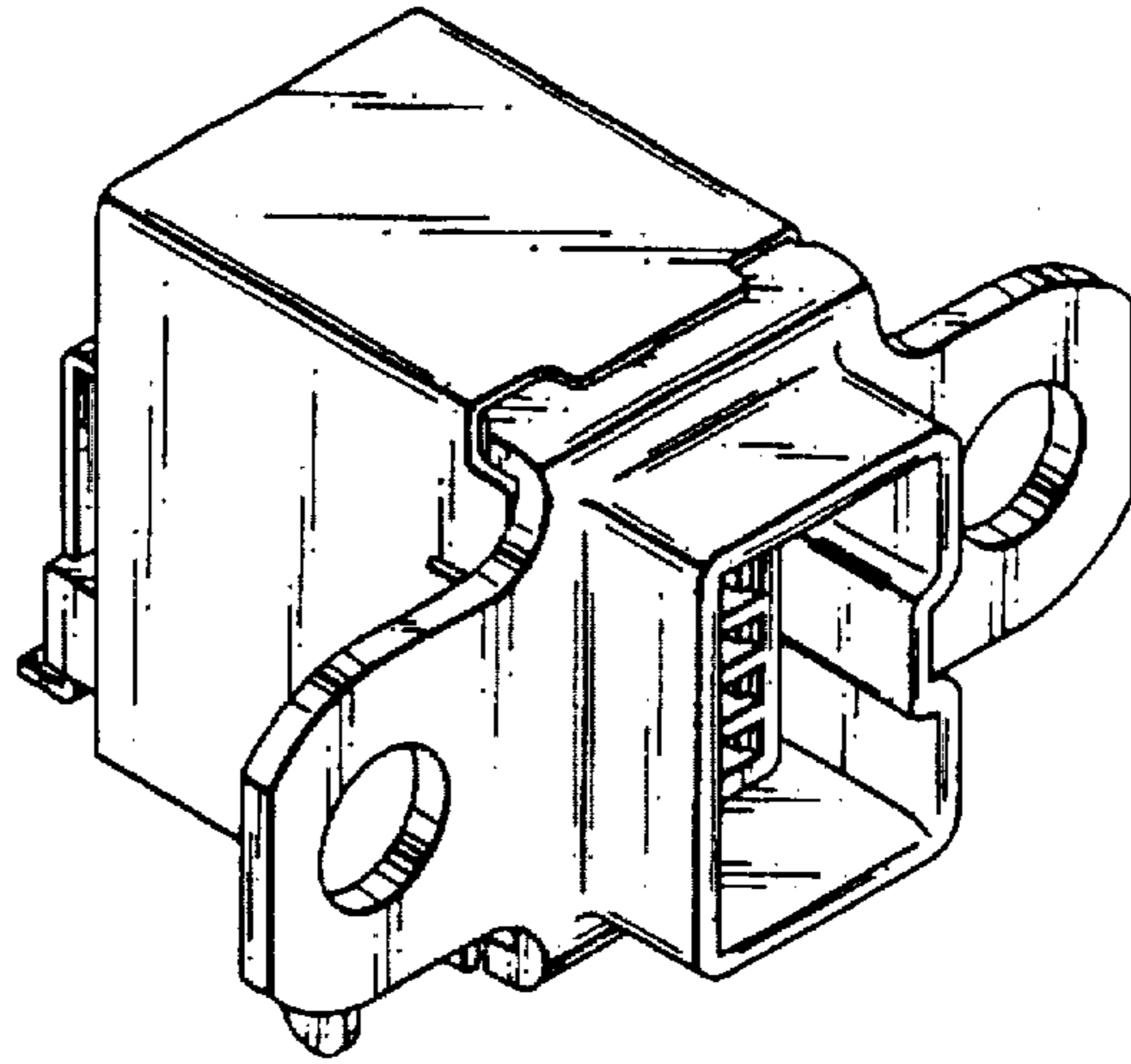


FIG. 2

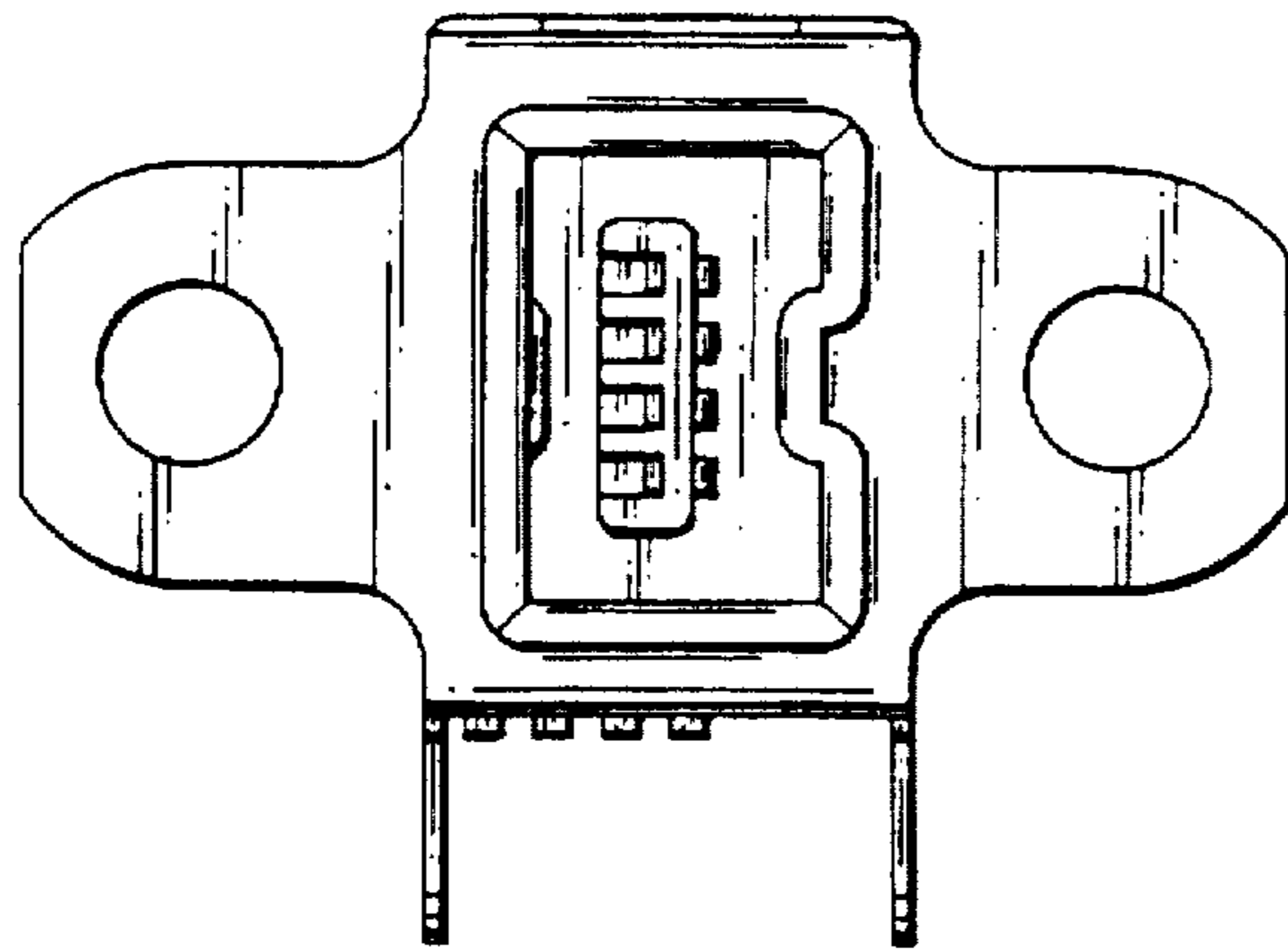


FIG. 3

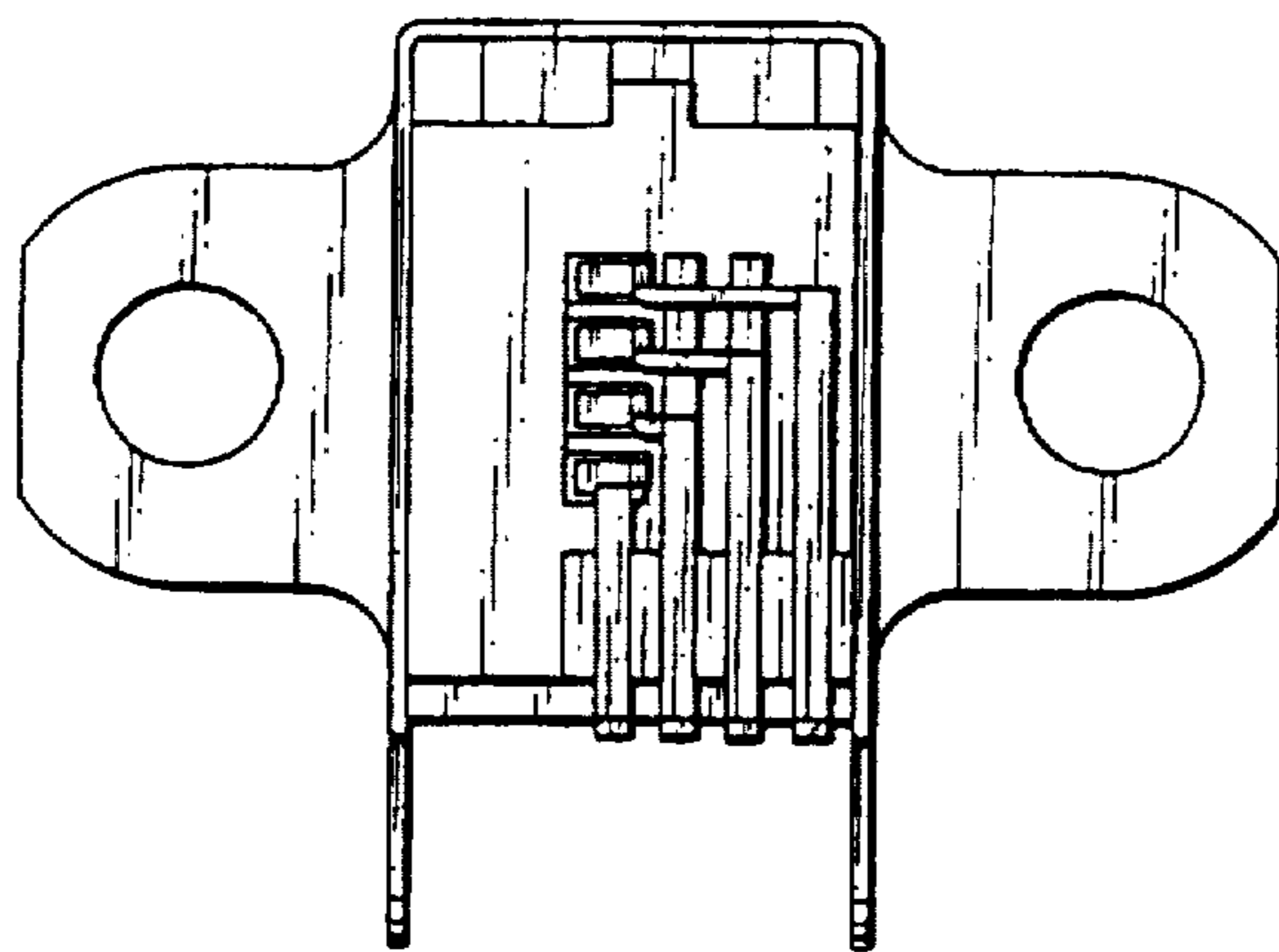


FIG. 4

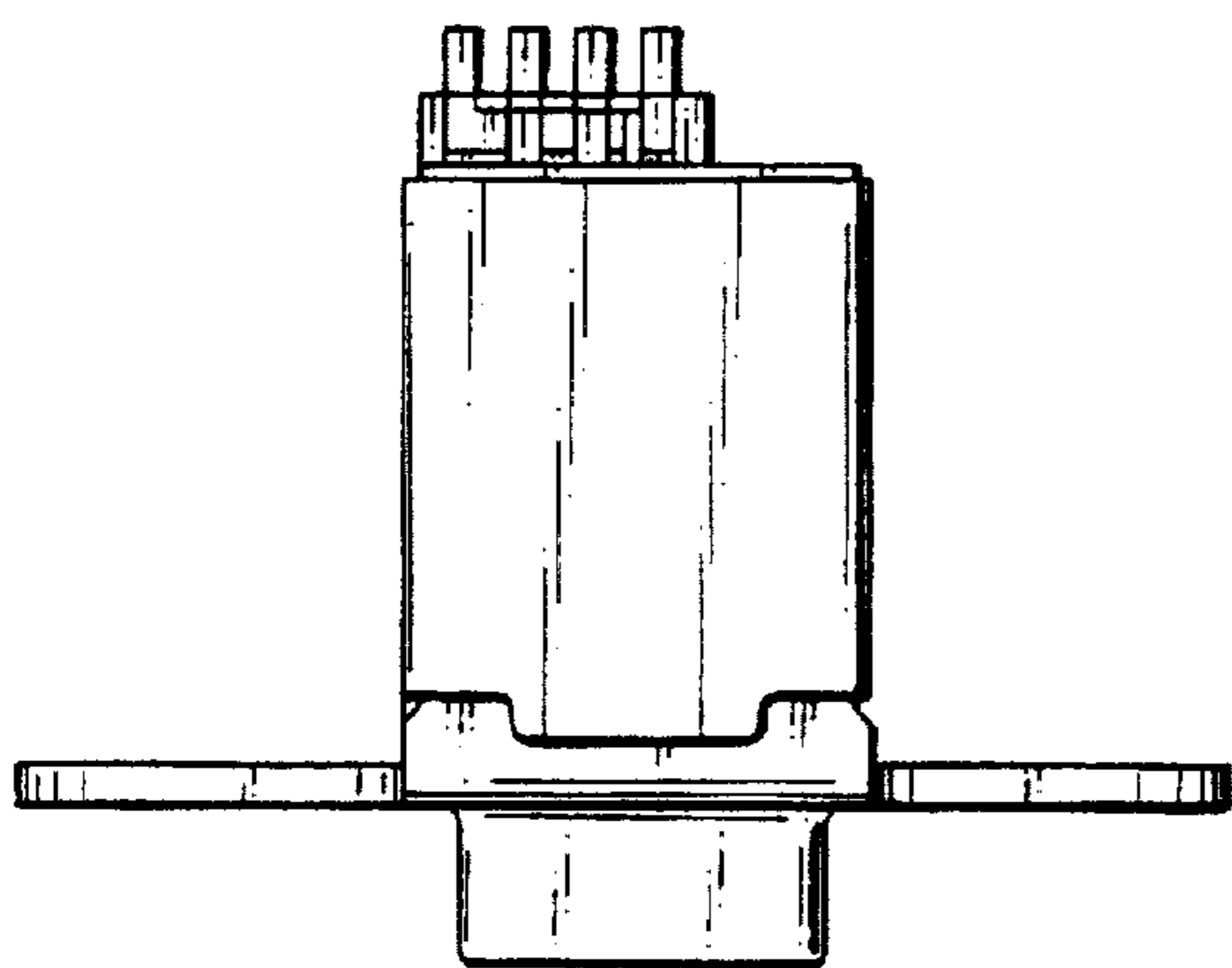


FIG. 5

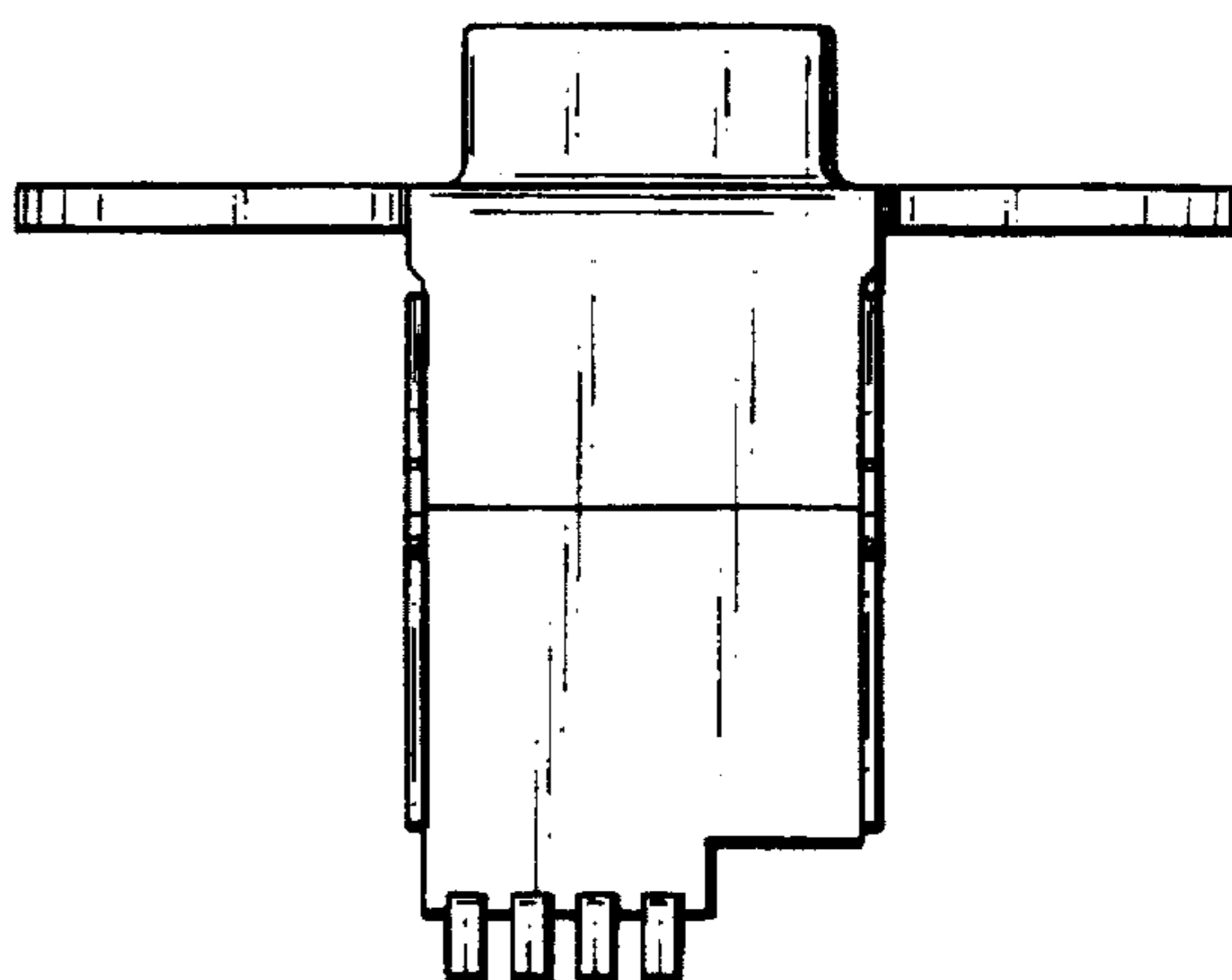


FIG. 6

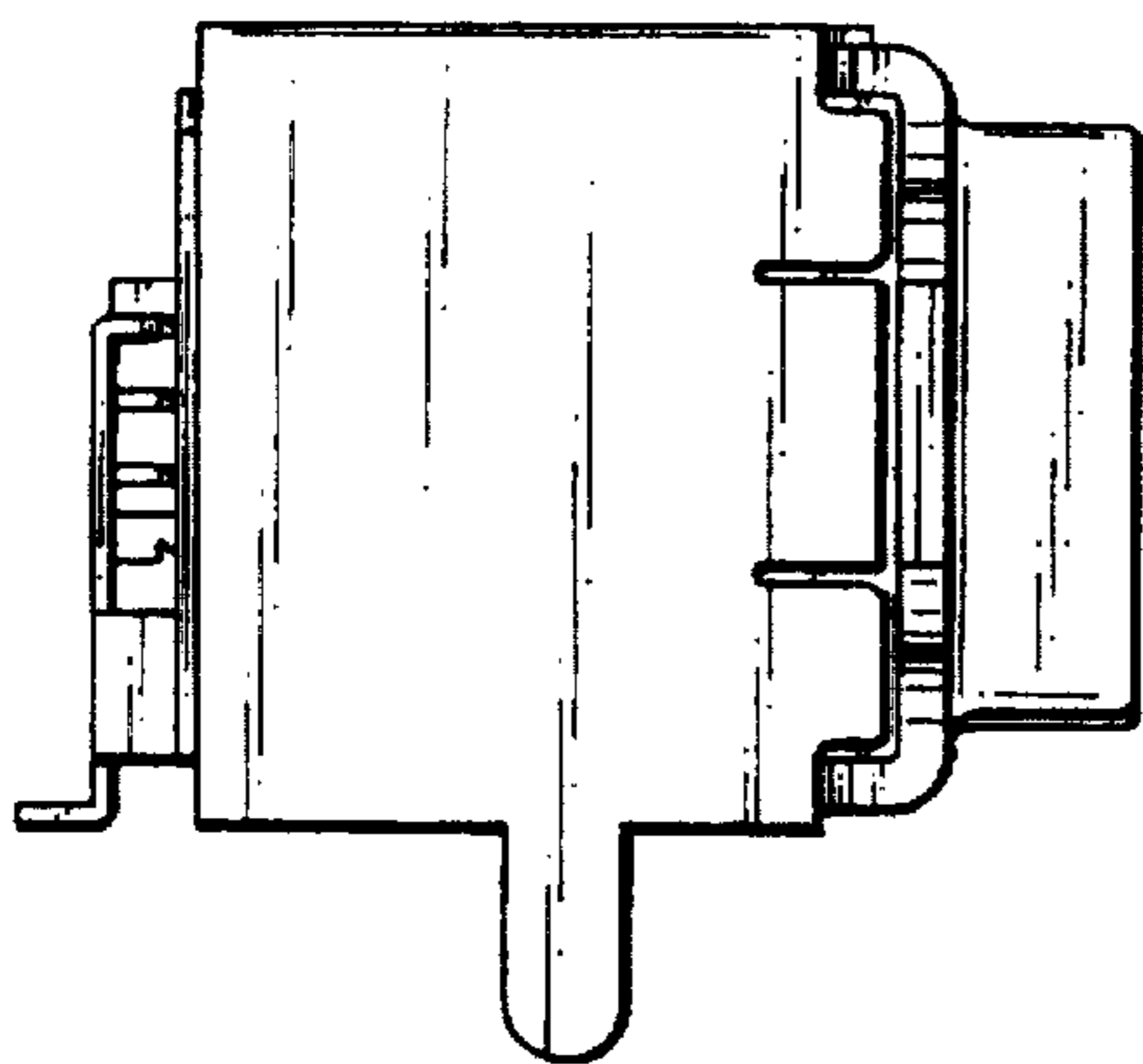


FIG. 7

