

US00D390187S

United States Patent [19]

[11] Patent Number: **Des. 390,187**

Urvoy

[45] Date of Patent: ****Feb. 3, 1998**

[54] BATTERY CASE

[75] Inventor: **Jean-Jacques Urvoy**, Paris, France

[73] Assignee: **Meccano, S.A.**, Calais, France

[**] Term: **14 Years**

[21] Appl. No.: **51,016**

[22] Filed: **Mar. 1, 1996**

[30] **Foreign Application Priority Data**

Oct. 2, 1995 [XH] Hague Agreement D12220

[51] LOC (6) Cl. **13-02**

[52] U.S. Cl. **D13/103**

[58] Field of Search D13/103; 429/96-100,
429/163, 176, 12

[56] **References Cited**

U.S. PATENT DOCUMENTS

D. 283,812	5/1986	Liataud et al.	D13/103
D. 360,397	7/1995	Wells et al.	D13/103
D. 370,201	5/1996	Okano et al.	D13/103
D. 372,701	8/1996	Tahmassebpur	D13/103
5,554,455	9/1996	Inoue et al.	429/53

Primary Examiner—Joel Sincavage
Attorney, Agent, or Firm—Pennie & Edmonds LLP

[57] **CLAIM**

The ornamental design for battery case, as shown and described.

DESCRIPTION

FIG. 1 is a perspective view of a first embodiment of a battery case according to the invention, showing a single battery compartment;

FIG. 2 is a top side view thereof;

FIG. 3 is a bottom side view thereof;

FIG. 4 is a front side view thereof;

FIG. 5 is a rear side view thereof;

FIG. 6 is a left side view thereof;

FIG. 7 is a right side view thereof;

FIG. 8 is a perspective view of another embodiment with two compartments;

FIG. 9 is a top side view thereof;

FIG. 10 is a bottom side view thereof;

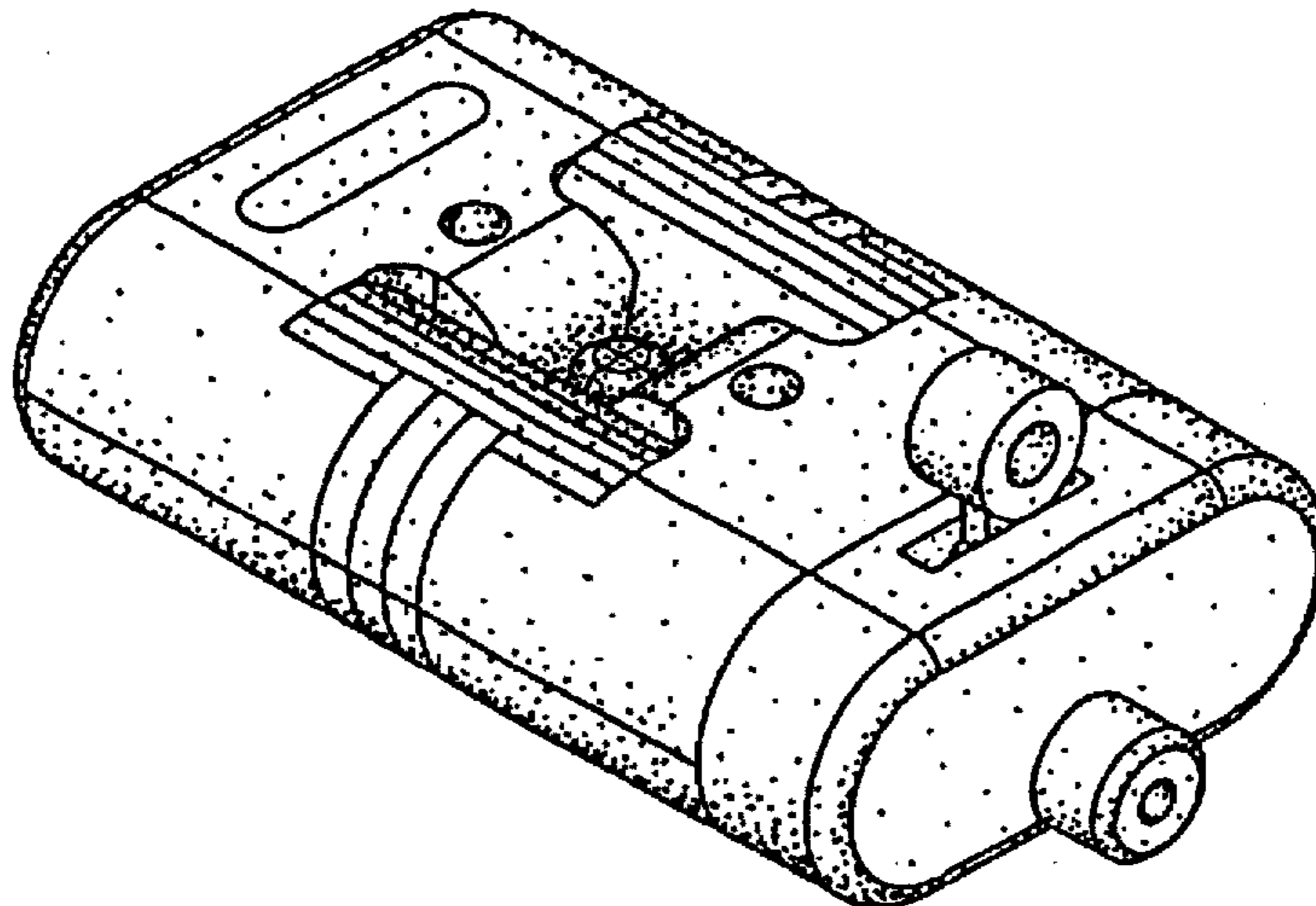
FIG. 11 is a front side view thereof;

FIG. 12 is a rear side view thereof;

FIG. 13 is a left side view thereof; and,

FIG. 14 is a right side view thereof.

1 Claim, 4 Drawing Sheets



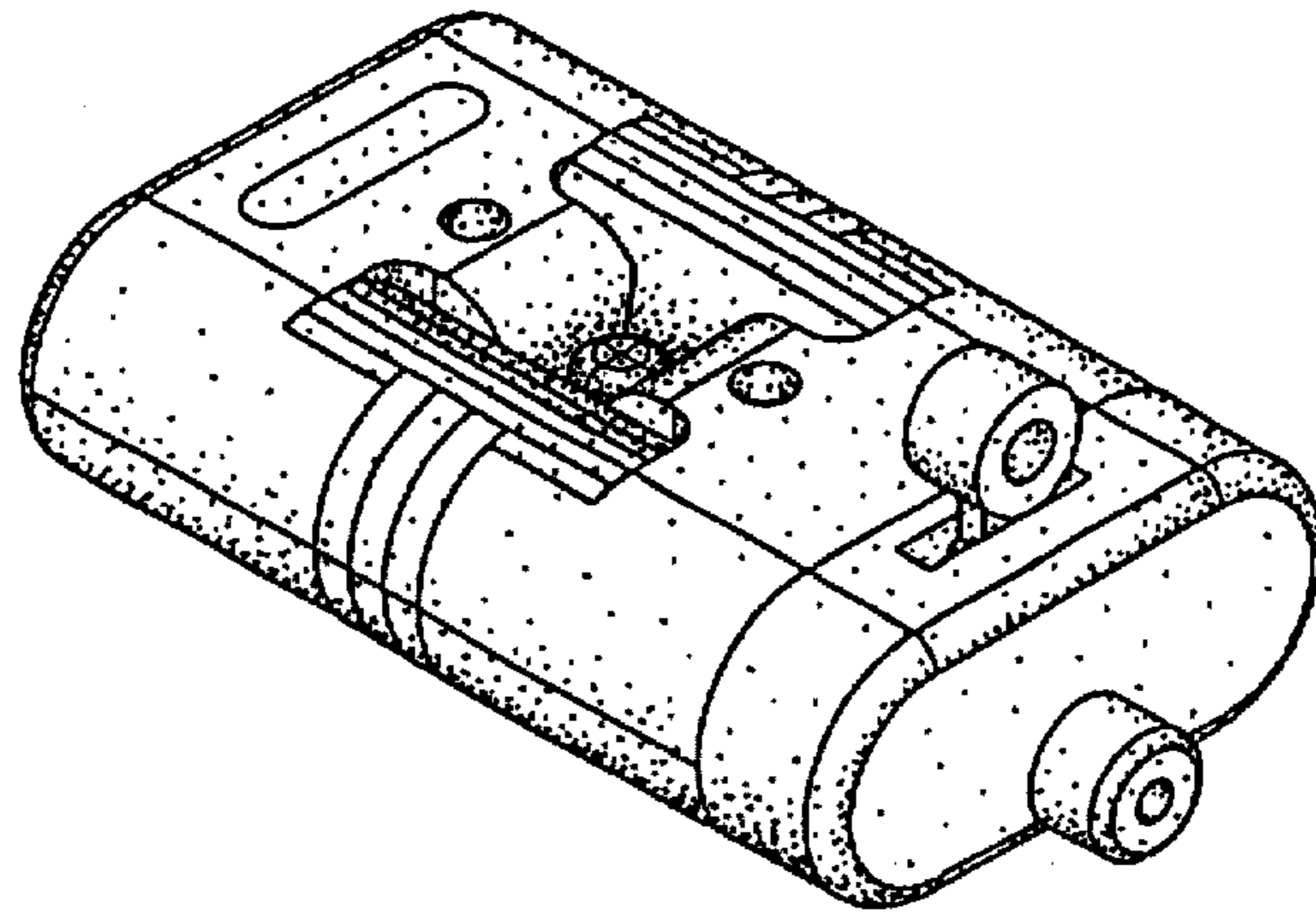


FIG. 1

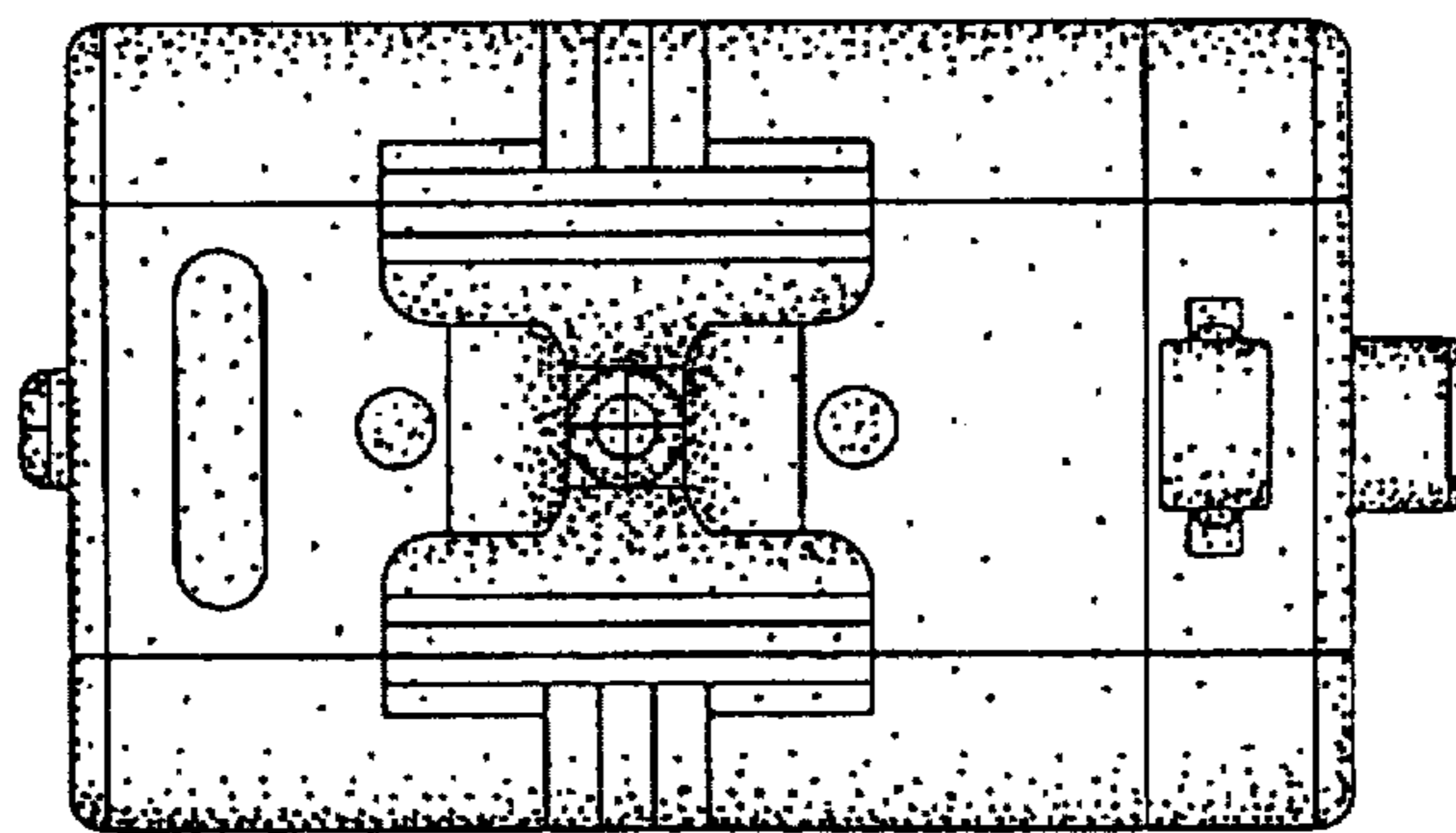


FIG. 2

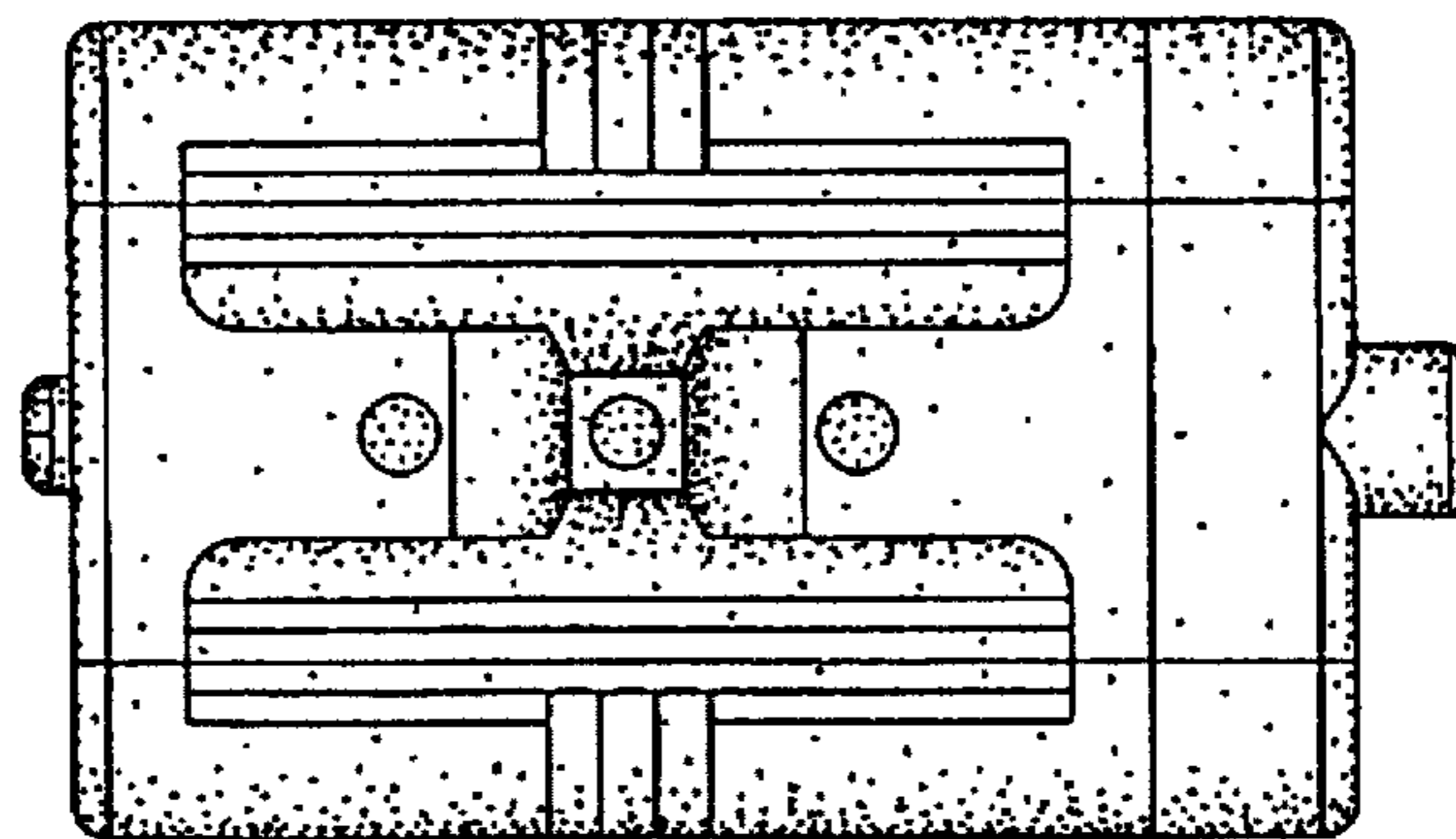


FIG. 3

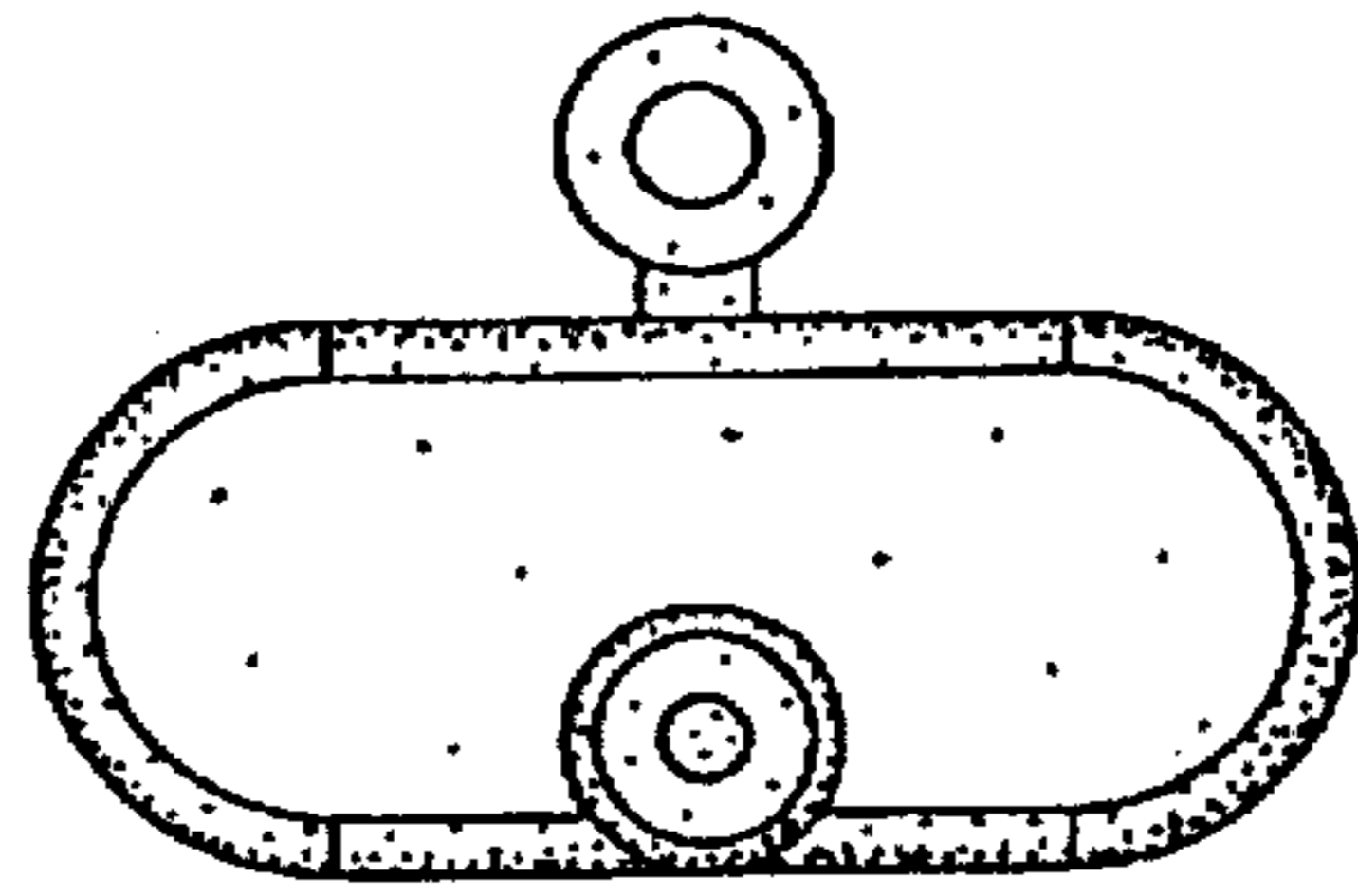


FIG. 4

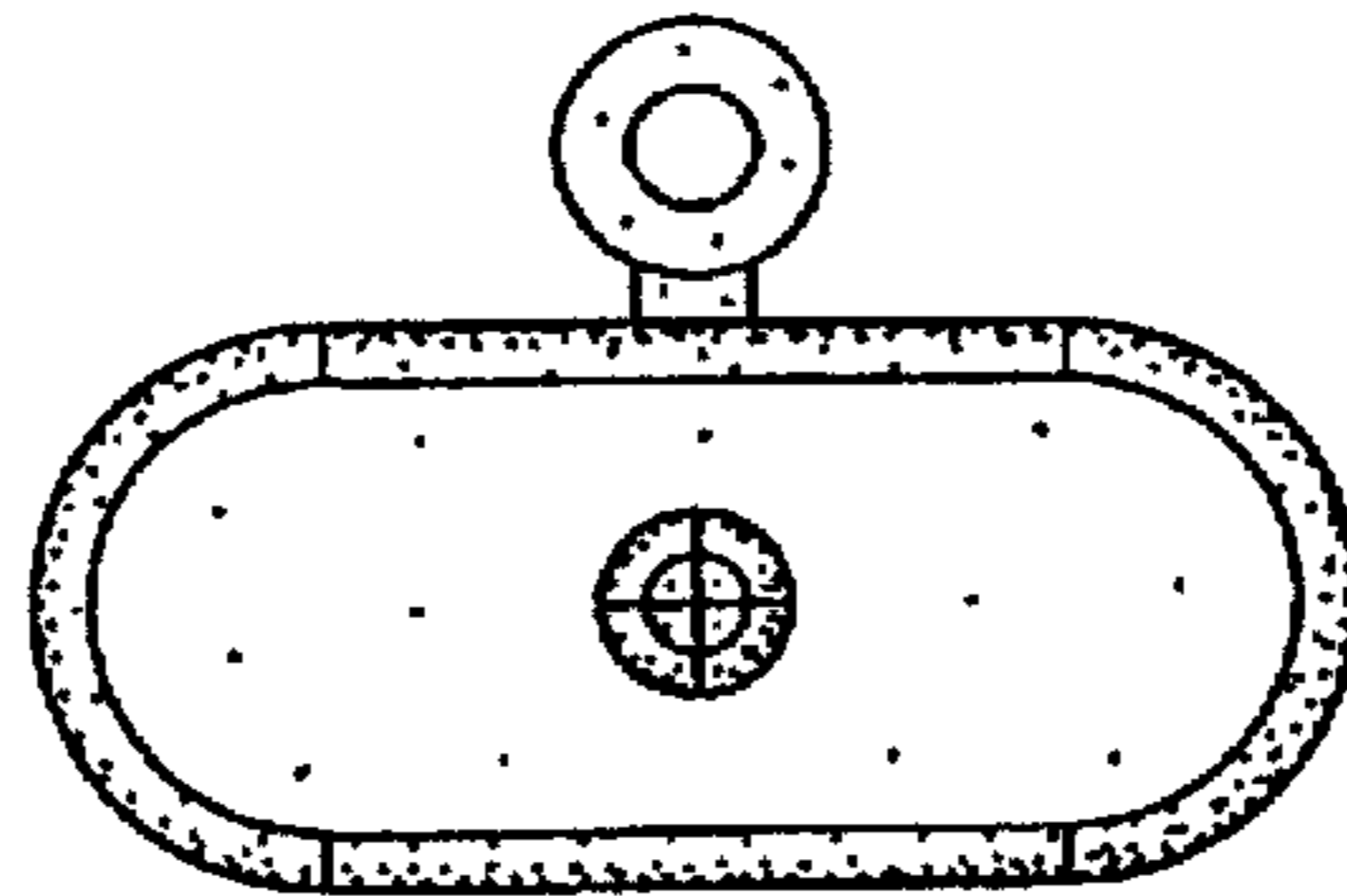


FIG. 5

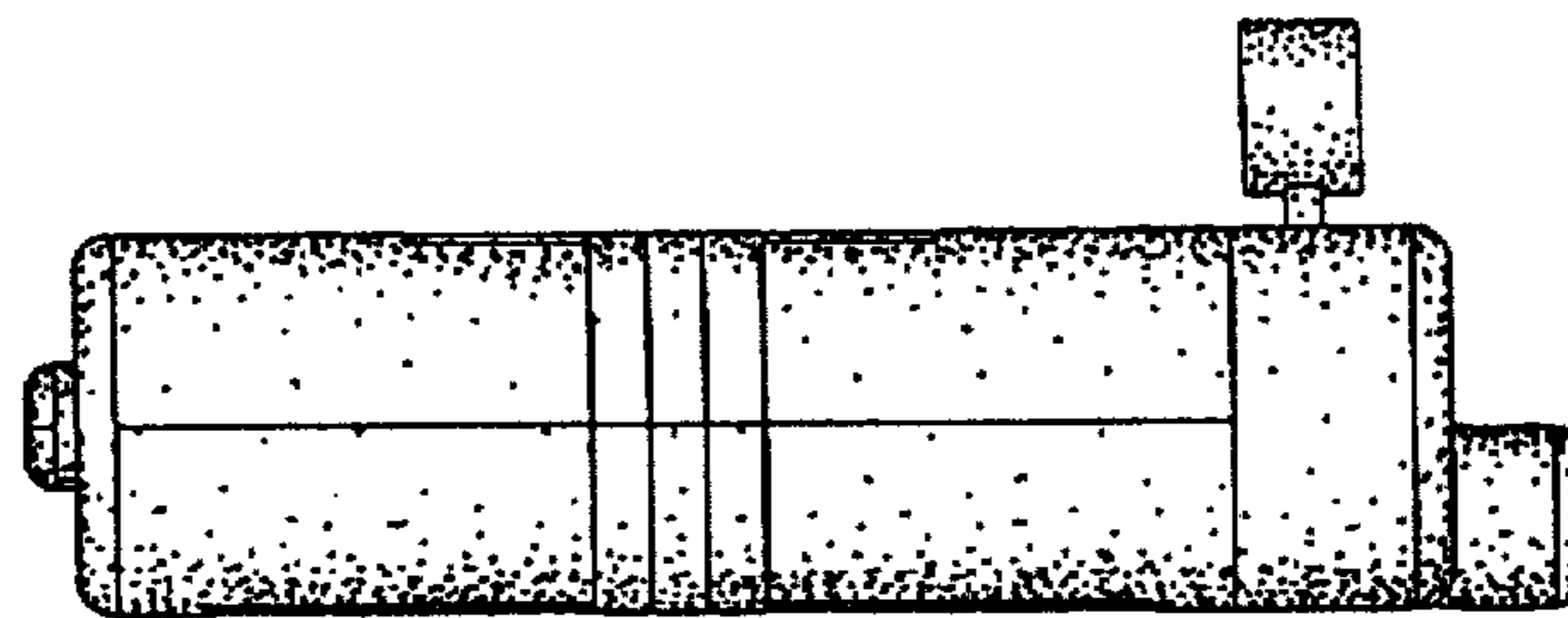


FIG. 6

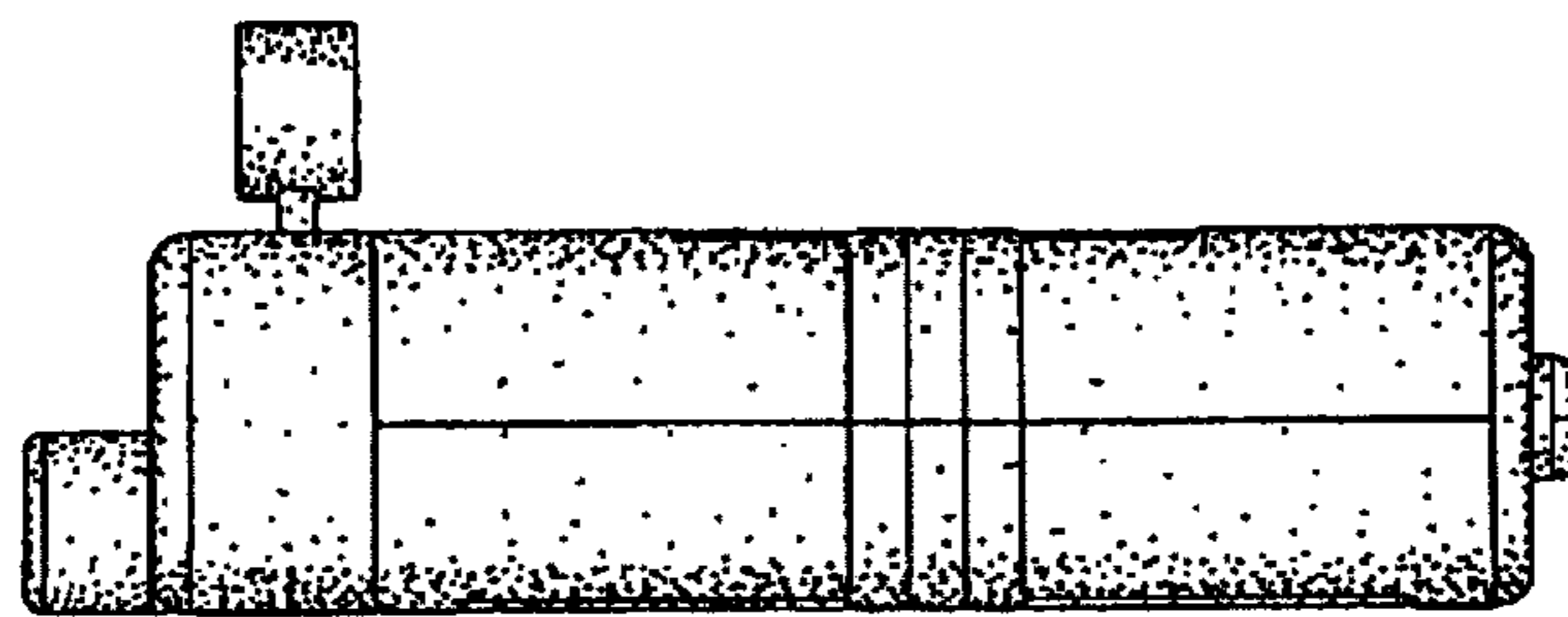


FIG. 7

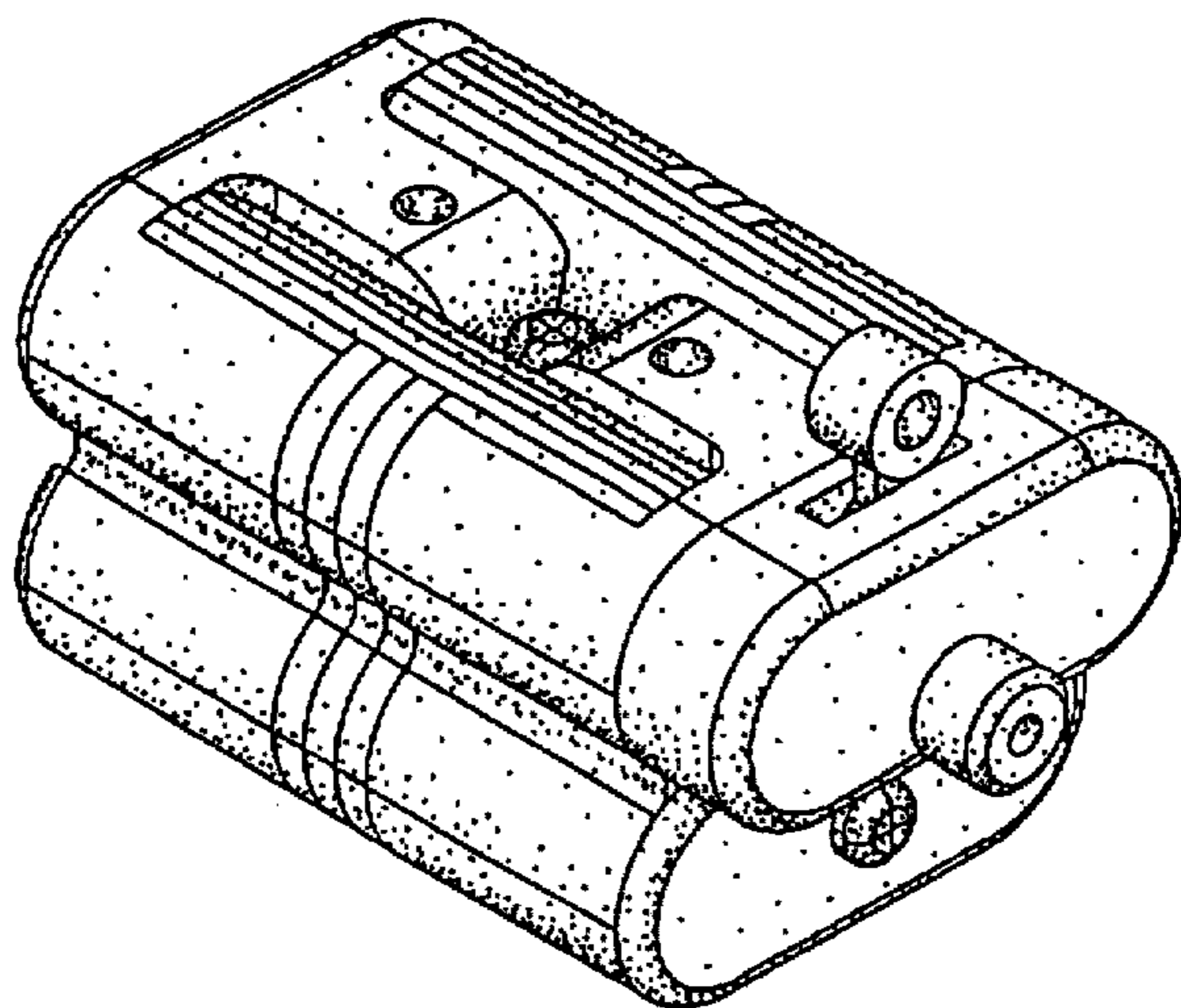


FIG. 8

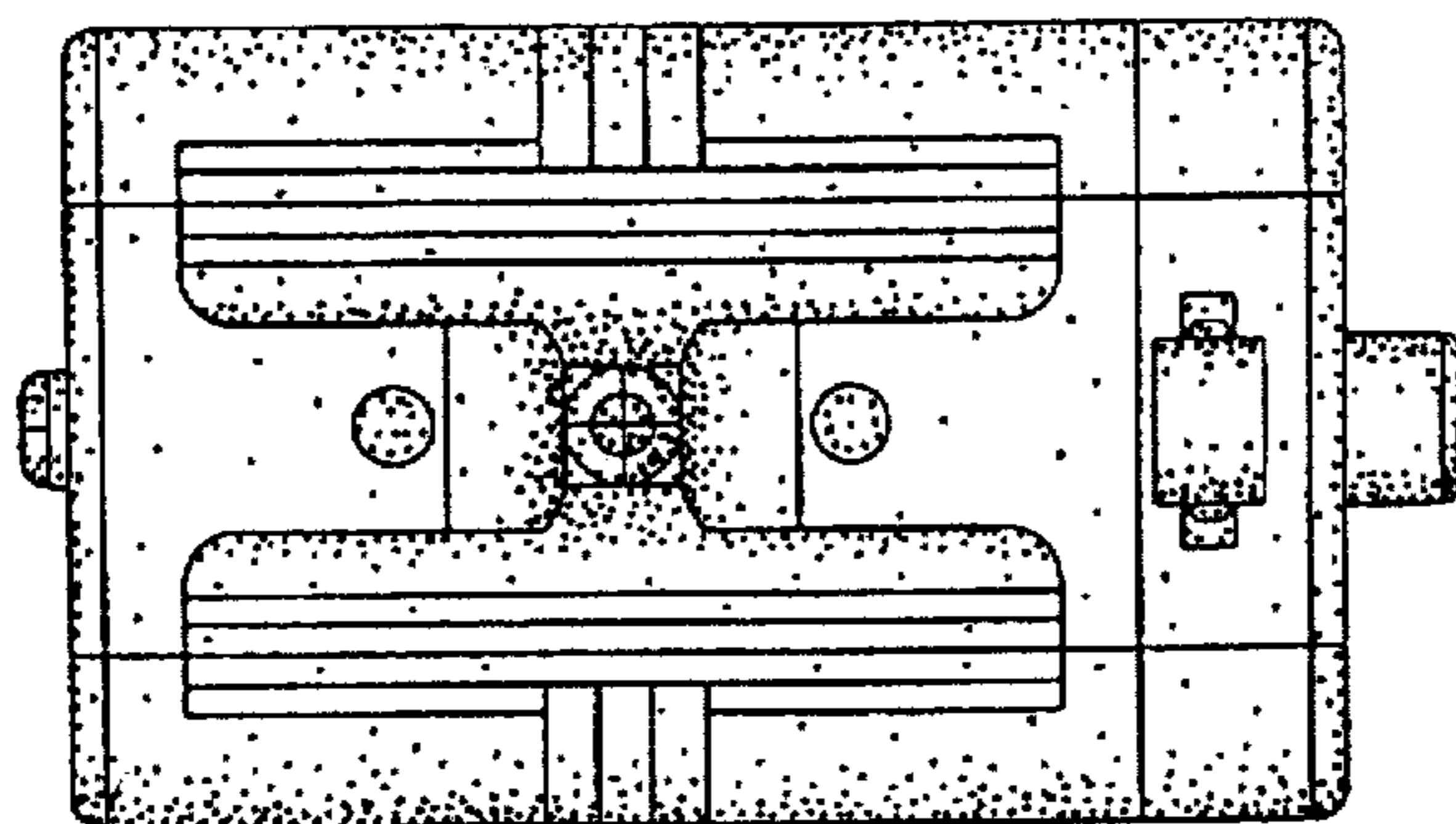


FIG. 9

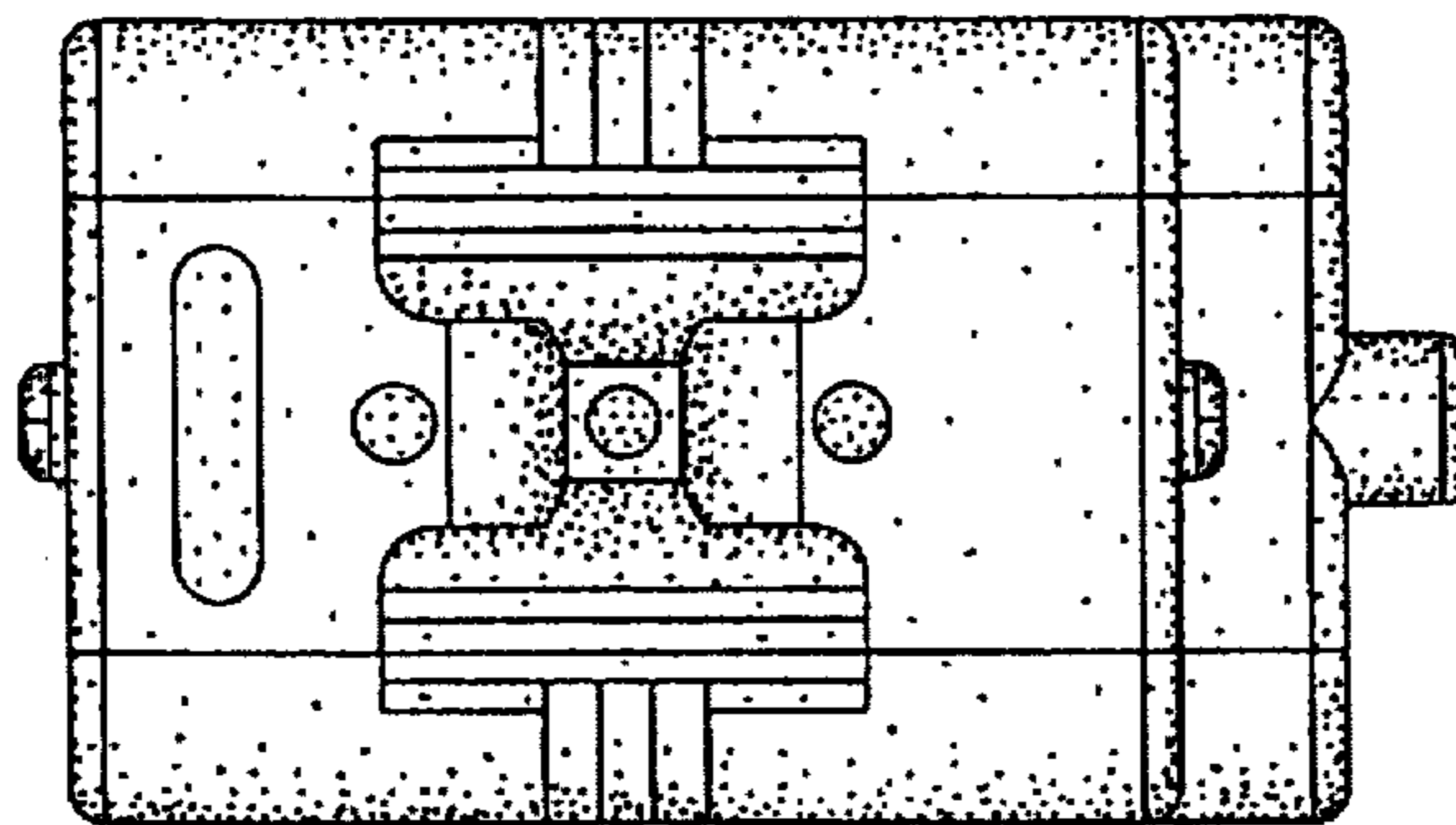


FIG. 10

FIG. 11

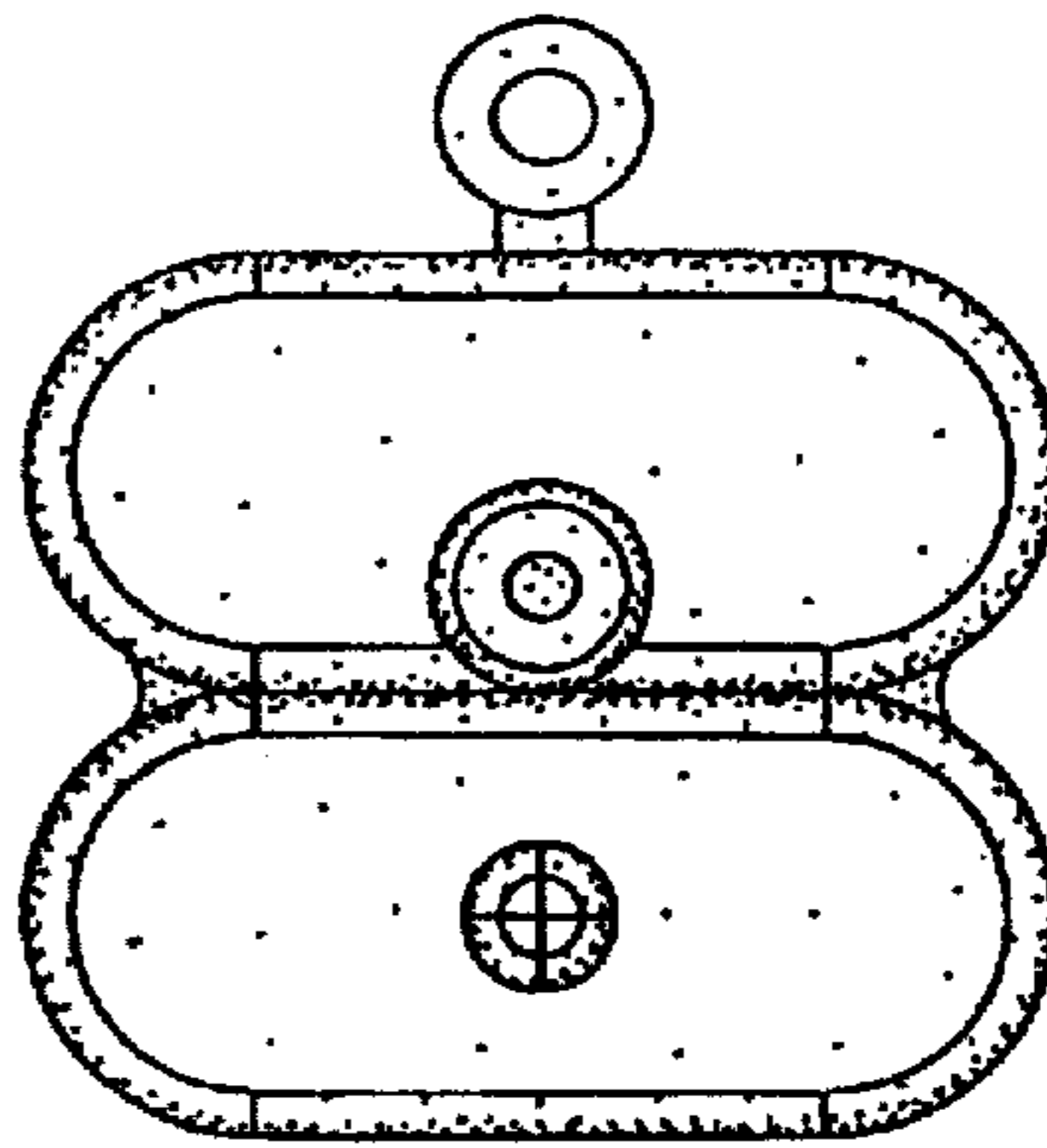


FIG. 12

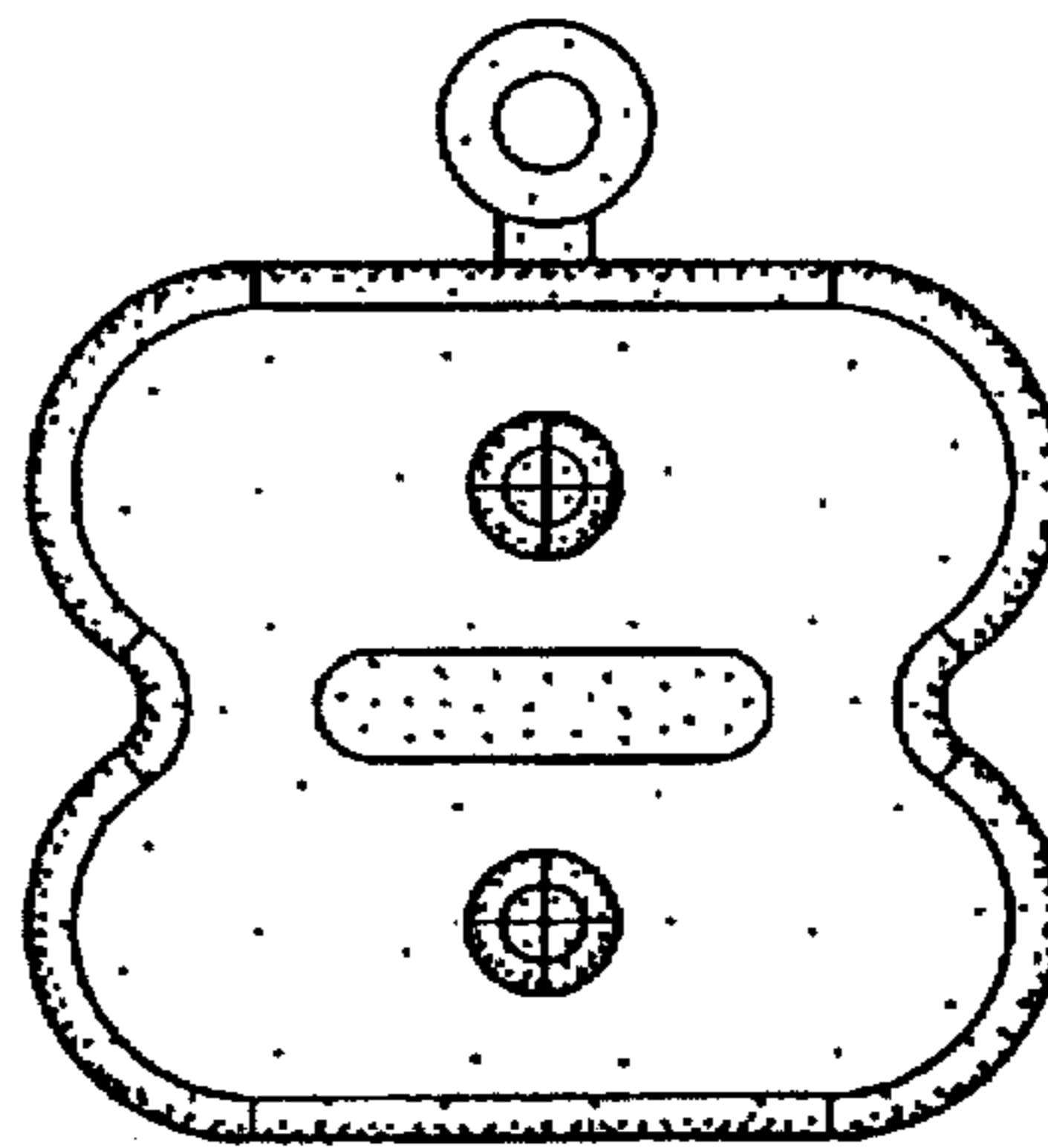


FIG. 13

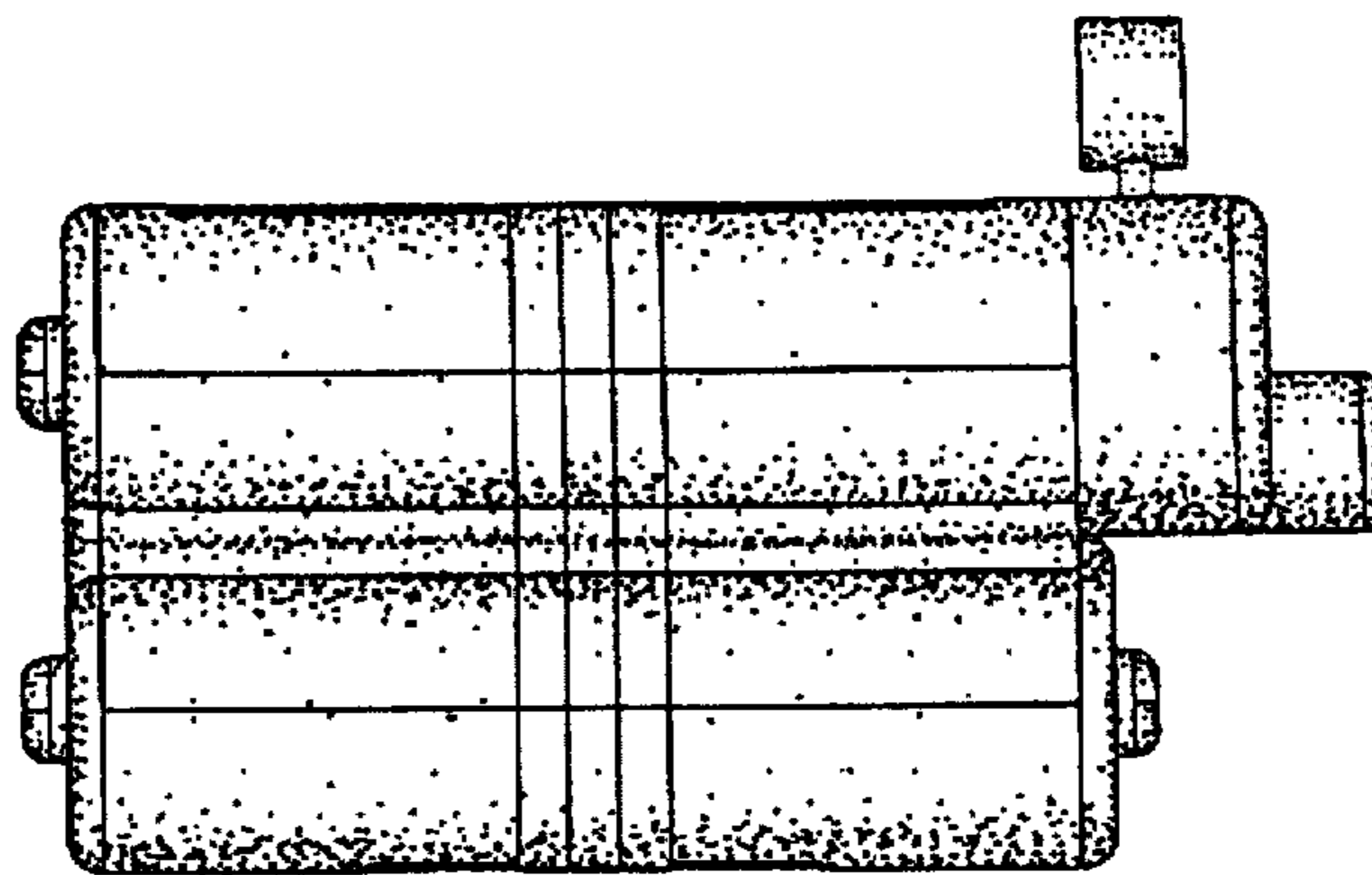


FIG. 14

