



US00D390183S

United States Patent [19]
Manwill

[11] **Patent Number:** **Des. 390,183**
[45] **Date of Patent:** ****Feb. 3, 1998**

[54] **UNIVERSAL FUEL TANK**

[76] **Inventor:** **Troy Manwill**, 902 E. 800 South,
Springville, Utah 84663

[**] **Term:** **14 Years**

[21] **Appl. No.:** **56,793**

[22] **Filed:** **Jul. 9, 1996**

[51] **LOC (6) Cl. 12-06**

[52] **U.S. Cl. D12/218; D12/423; D12/410**

[58] **Field of Search D12/218, 423;**
280/833-835; 224/31, 413, 418; 220/23.2

[56] **References Cited**

U.S. PATENT DOCUMENTS

D. 188,738	8/1960	Voelz, Jr.	D12/218
D. 217,907	6/1970	Derenske	D12/218
D. 372,454	8/1996	Murray, Sr.	D12/218 X
2,622,887	12/1952	Prior	280/833
4,311,261	1/1982	Anderson et al.	224/418

Primary Examiner—Melody N. Brown
Attorney, Agent, or Firm—Madson & Metcalf

[57] **CLAIM**

The ornamental design for a universal fuel tank, as shown and described.

DESCRIPTION

FIG. 1 is a perspective view of a universal fuel tank showing my new design, it being understood that the broken lines are for illustrative purposes only and form no part of the claimed design;

FIG. 2 is a top plan view of the universal fuel tank illustrated in FIG. 1;

FIG. 3 is a front plan view of the universal fuel tank illustrated in FIG. 1;

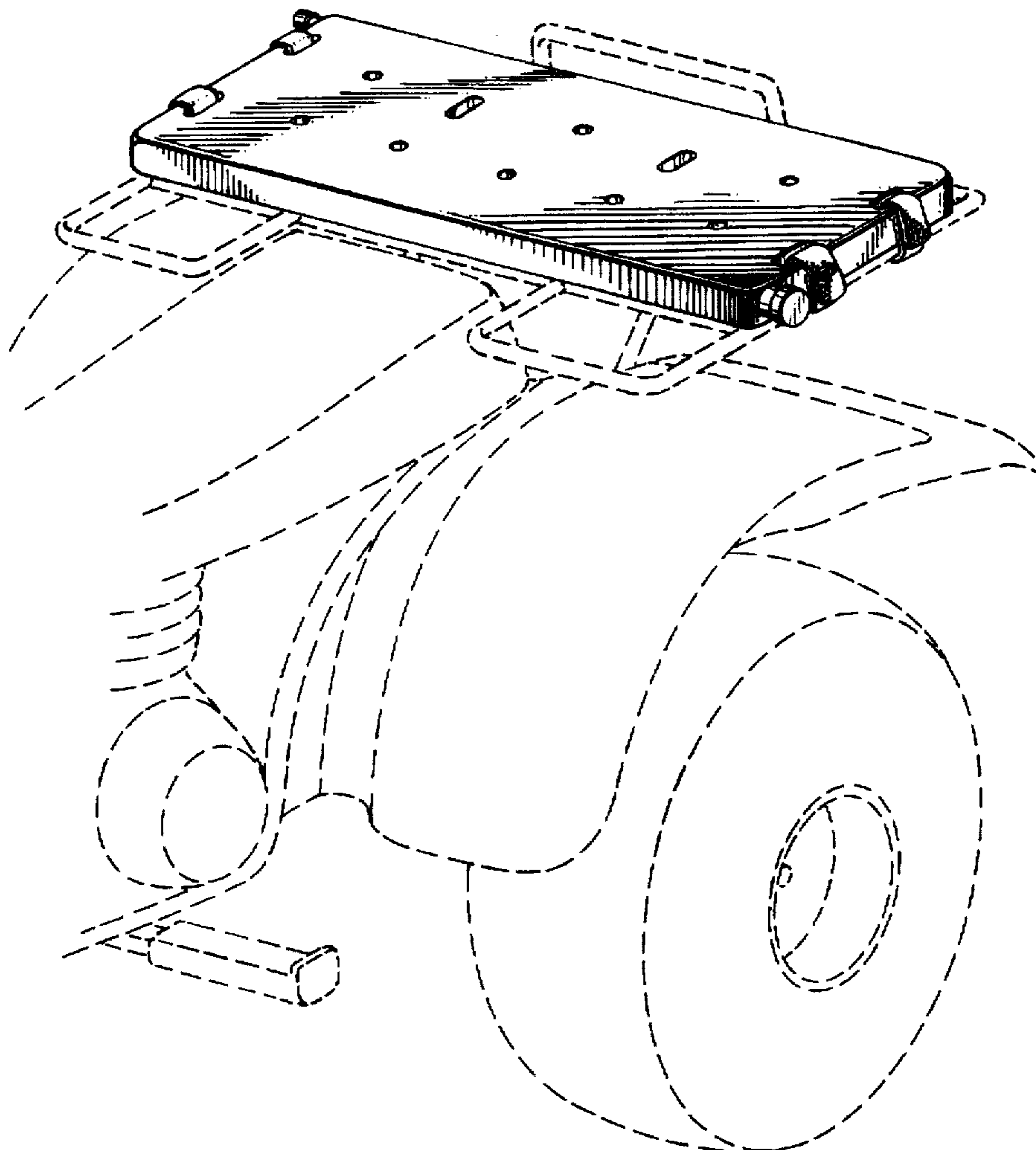
FIG. 4 is a side plan view of the universal fuel tank illustrated in FIG. 1;

FIG. 5 is a side plan view of the universal fuel tank illustrated in FIG. 1;

FIG. 6 is a rear plan view of the universal fuel tank illustrated in FIG. 1; and,

FIG. 7 is a bottom plan view of the universal fuel tank illustrated in FIG. 1.

1 Claim, 2 Drawing Sheets



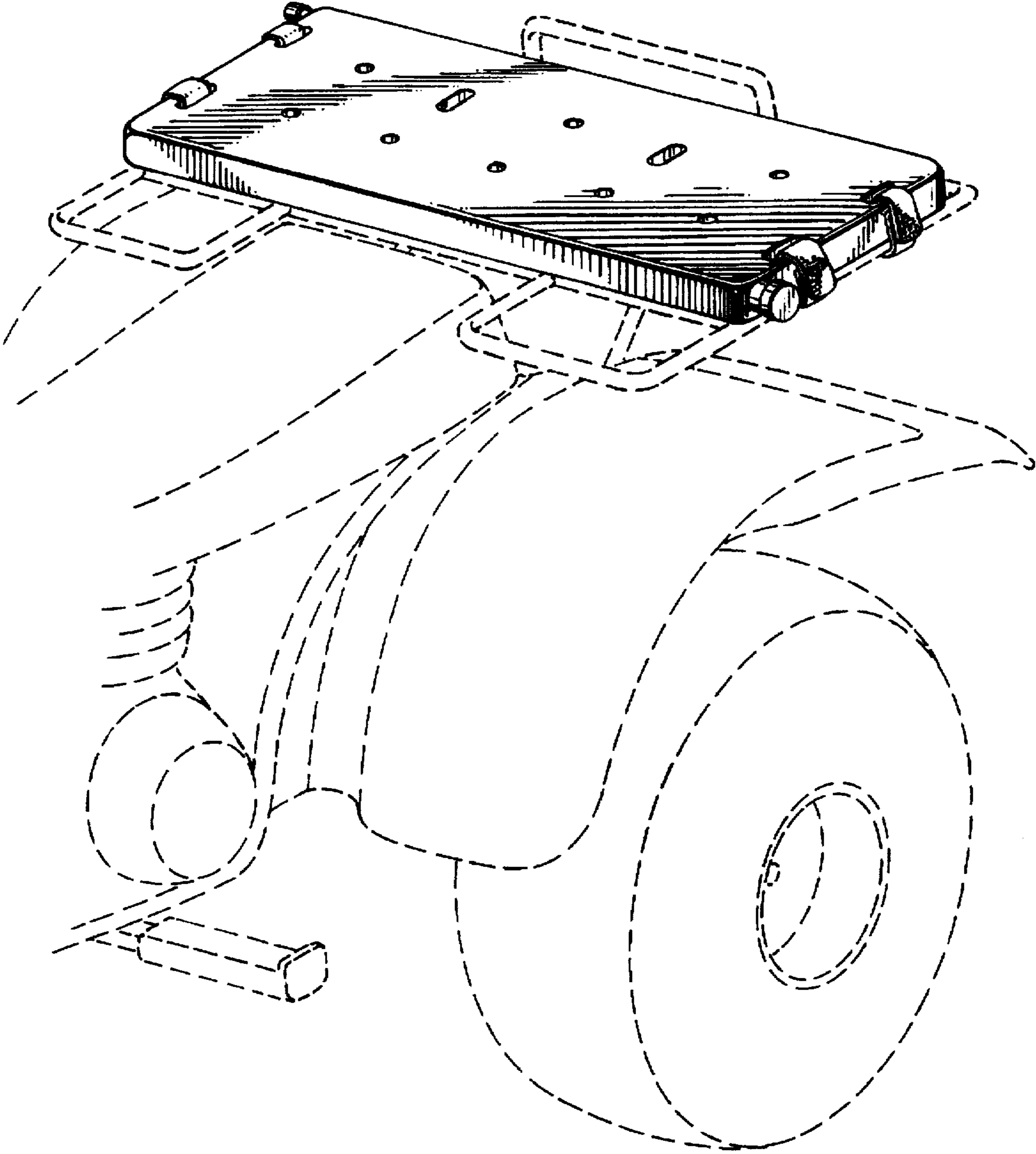


FIG. 1

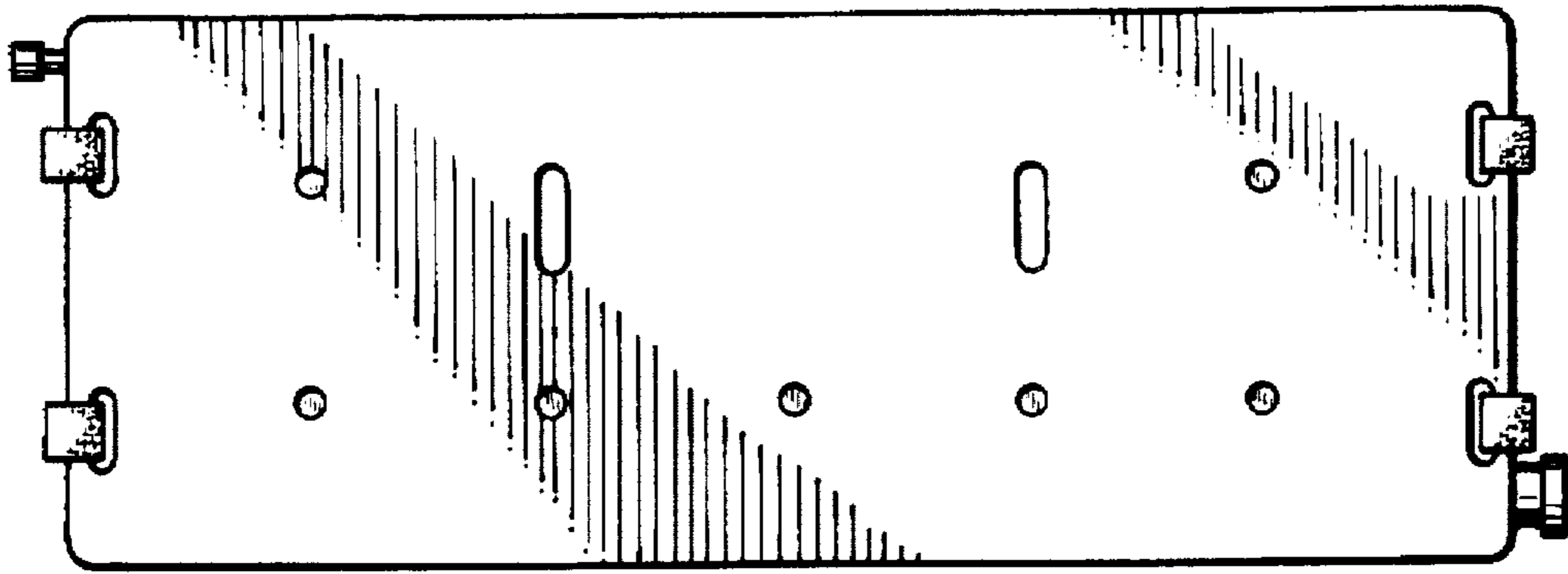


FIG. 2

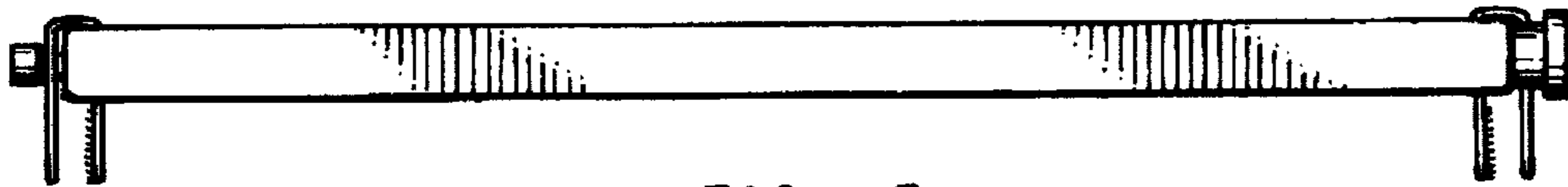


FIG. 3

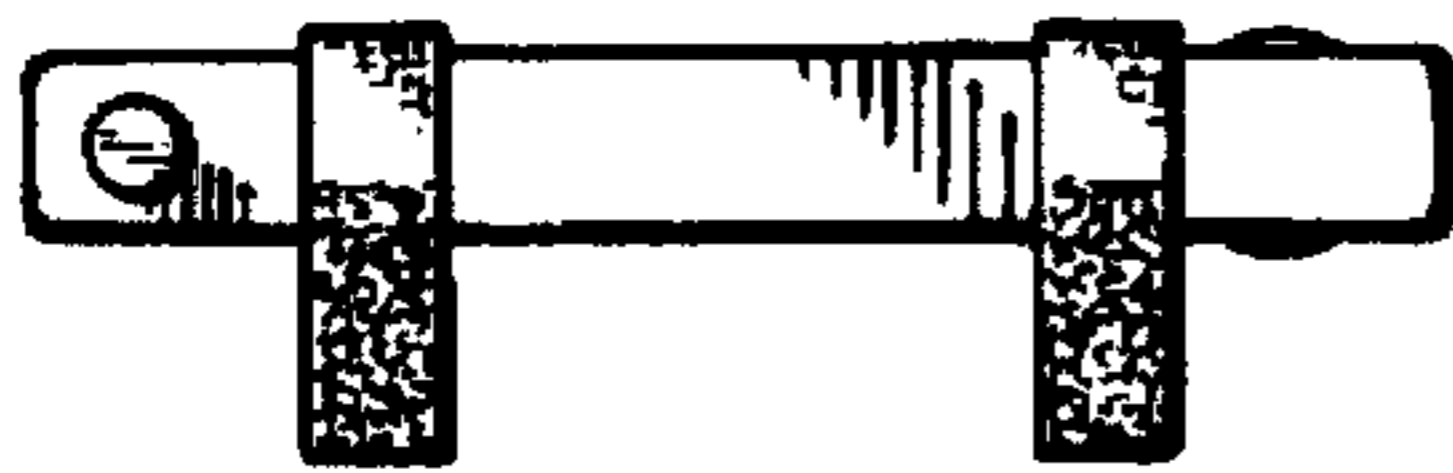


FIG. 4

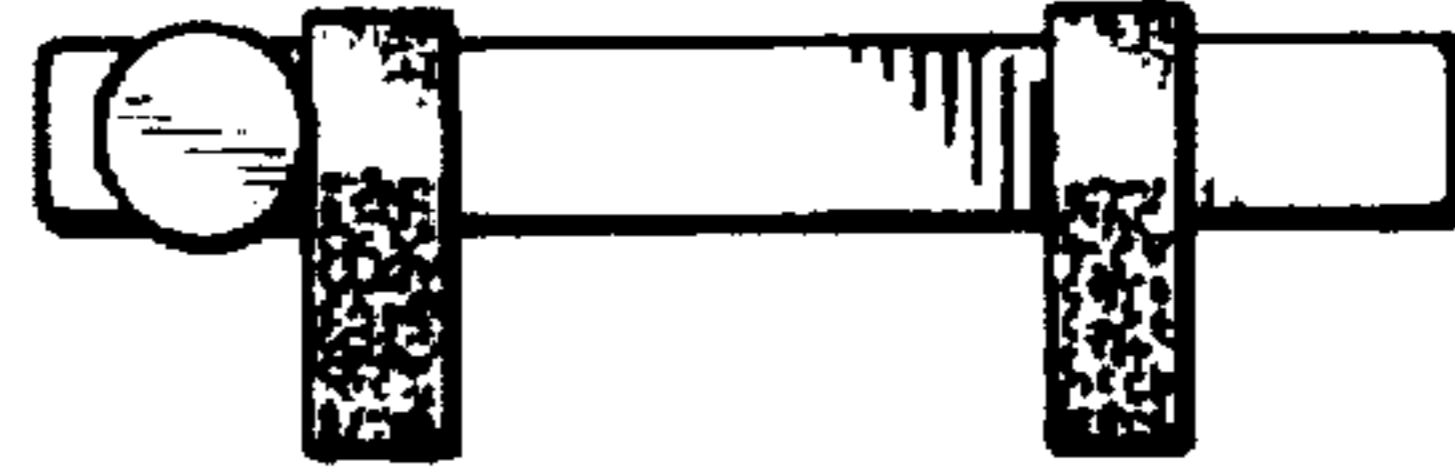


FIG. 5

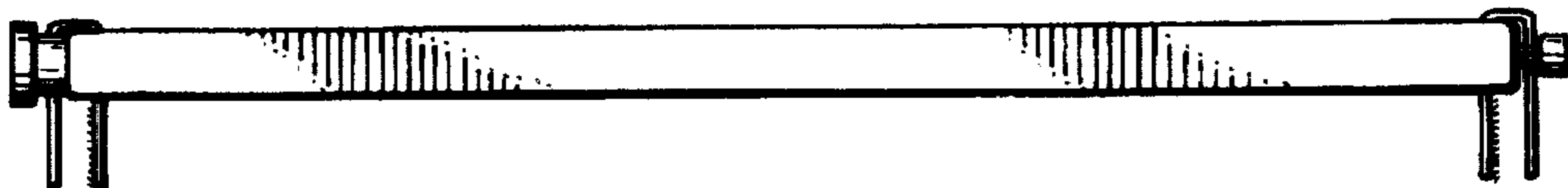


FIG. 6

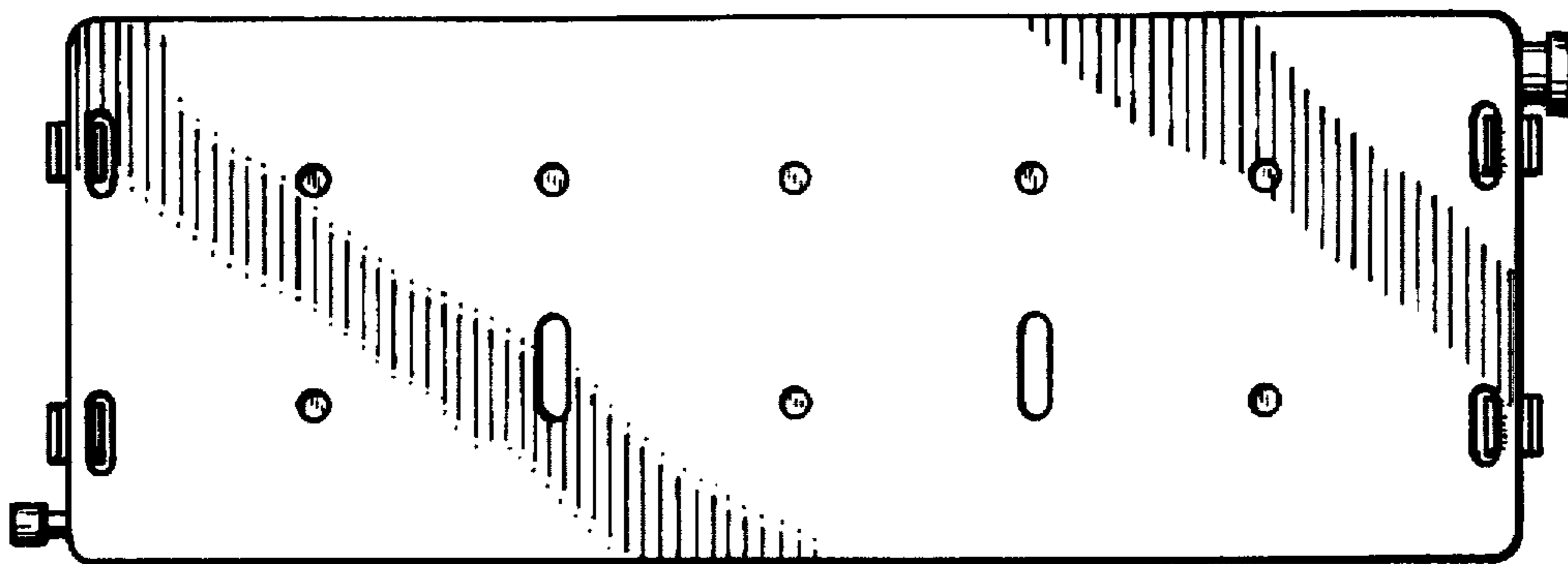


FIG. 7