



US00D390182S

United States Patent [19]

Zimmerman

[11] Patent Number: **Des. 390,182**

[45] Date of Patent: ****Feb. 3, 1998**

[54] FUEL TANK

[76] Inventor: **Wade Zimmerman**, 1212 Santa Paula St., Santa Paula, Calif. 93060

[**] Term: **14 Years**

[21] Appl. No.: **19,021**

[22] Filed: **Jan. 21, 1994**

[51] LOC (6) Cl. **12-06**

[52] U.S. Cl. **D12/218**

[58] Field of Search **D12/218, 835-838**

[56] References Cited

U.S. PATENT DOCUMENTS

D. 209,494	12/1967	Watkins	D12/218
D. 250,948	1/1979	Hattori	D12/218
D. 331,377	12/1992	Gevert	D12/218
3,987,294	10/1976	Carlson	D12/218

Primary Examiner—Melody N. Brown

Attorney, Agent, or Firm—Richard D. Slehofer

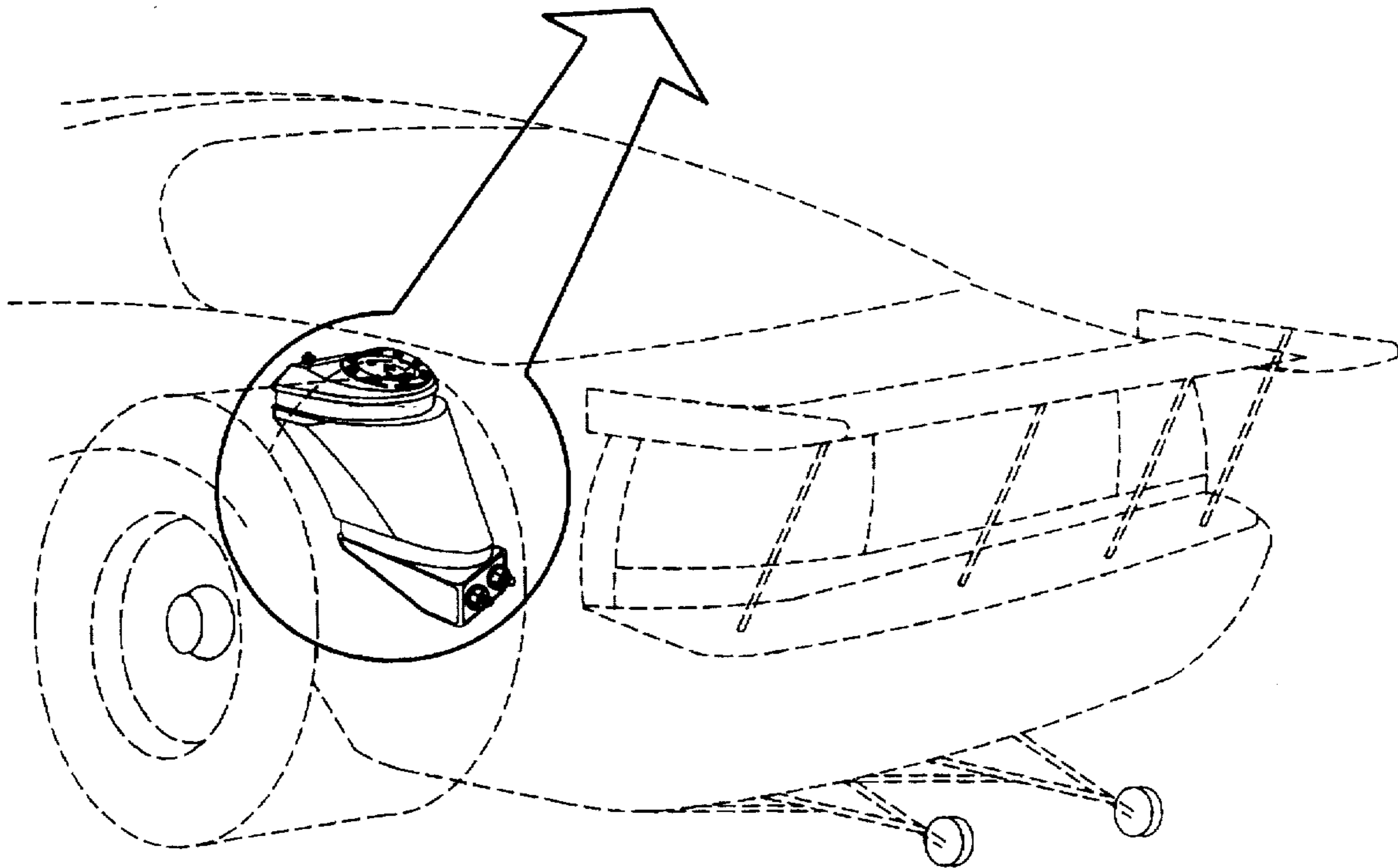
[57] CLAIM

The ornamental design for a fuel tank, as shown and described.

DESCRIPTION

FIG. 1 is a top plan view of a fuel tank;
 FIG. 2 is a front elevational view thereof;
 FIG. 3 is a rear elevational view thereof;
 FIG. 4 is a bottom plan view thereof;
 FIG. 5 is a right side elevation thereof, the left side being a mirror image of that shown;
 FIG. 6 is a transverse cross-sectional view taken along the line 6-6 of FIG. 5;
 FIG. 7 is a longitudinal cross-sectional view taken along the line 7-7 of FIG. 2; and,
 FIG. 8 is a perspective view thereof, the broken lines are shown for illustrative purposes only and form no part of the claimed design.

1 Claim, 5 Drawing Sheets



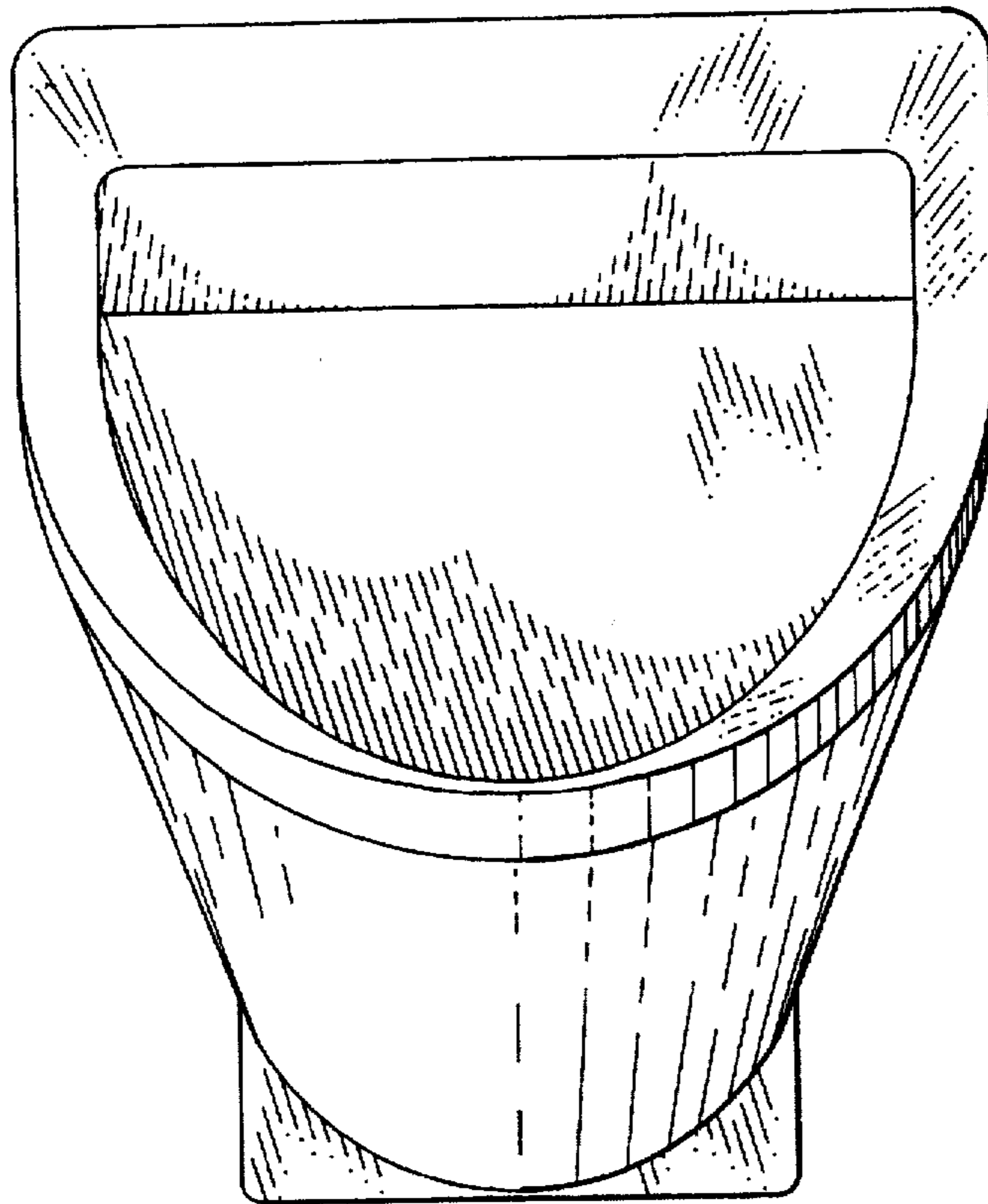


FIG. 1

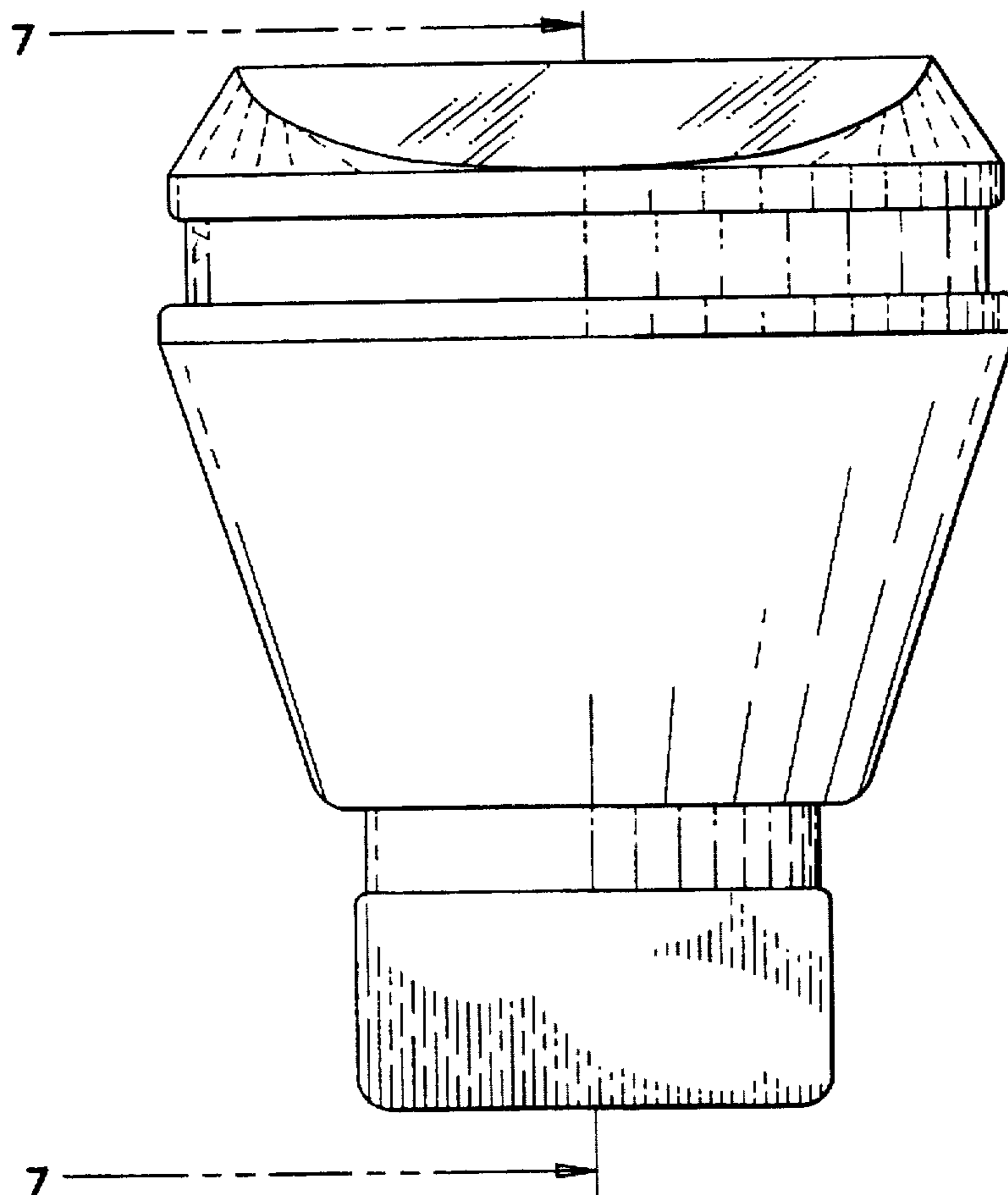


FIG. 2

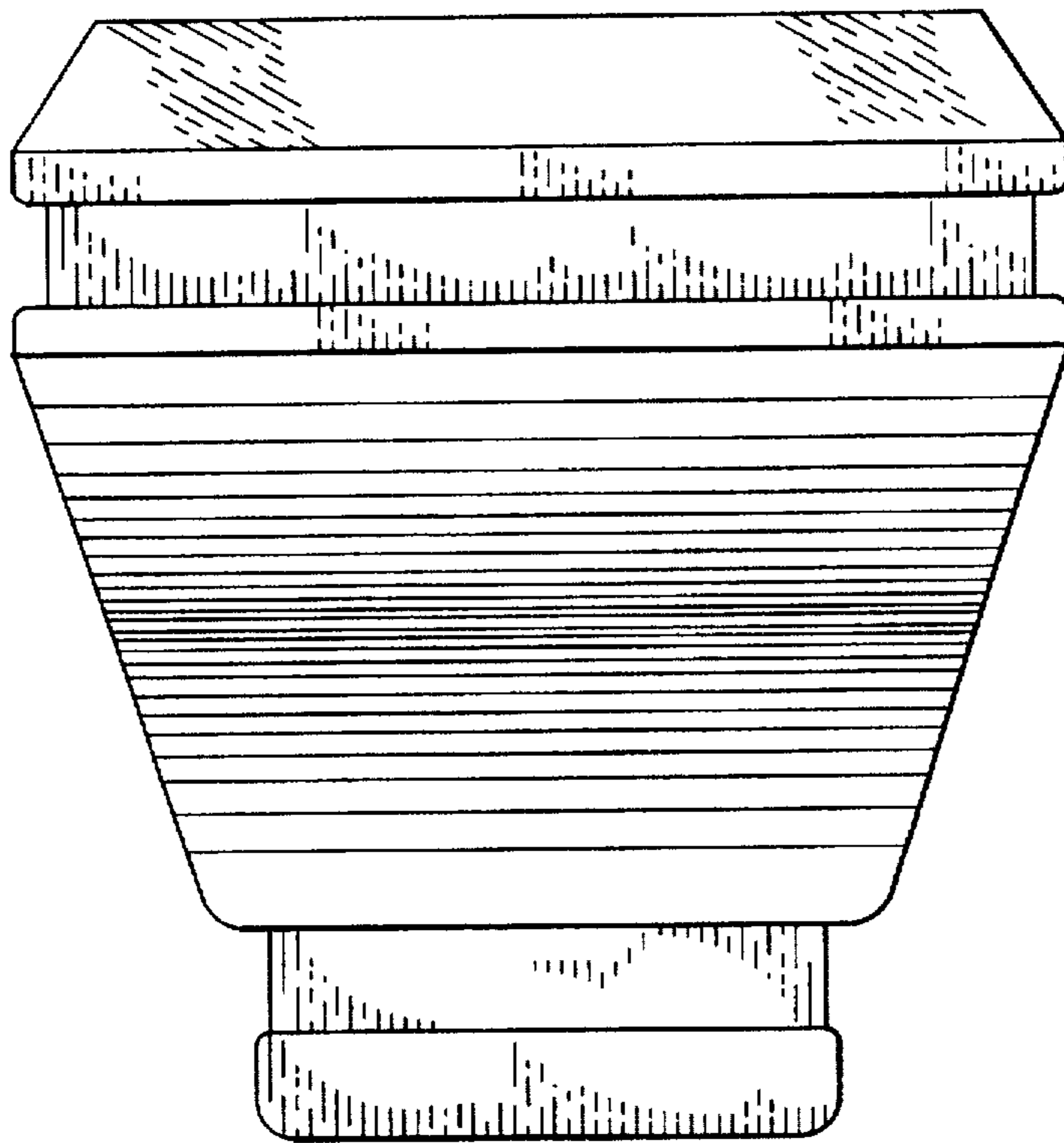


FIG. 3

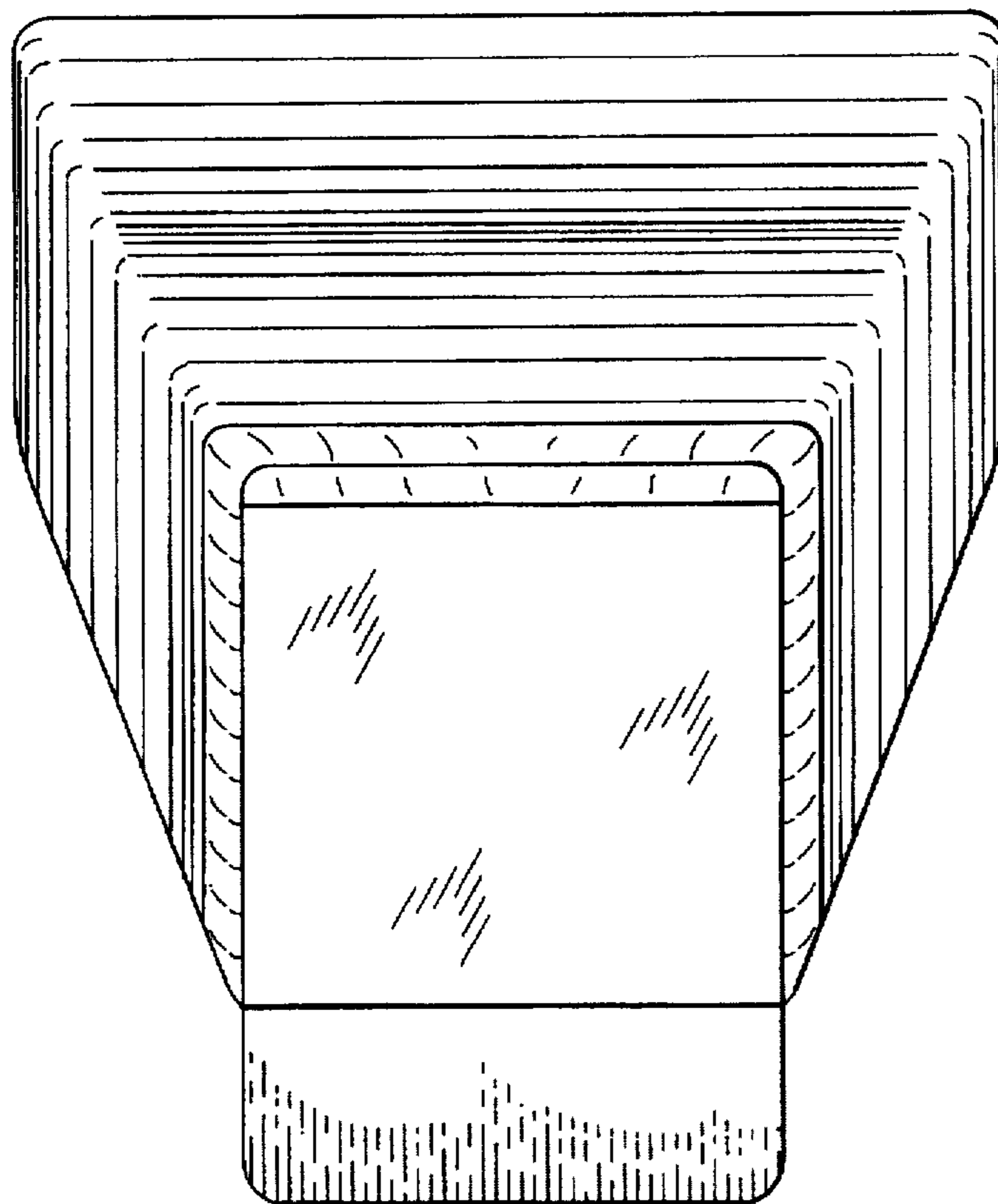


FIG. 4

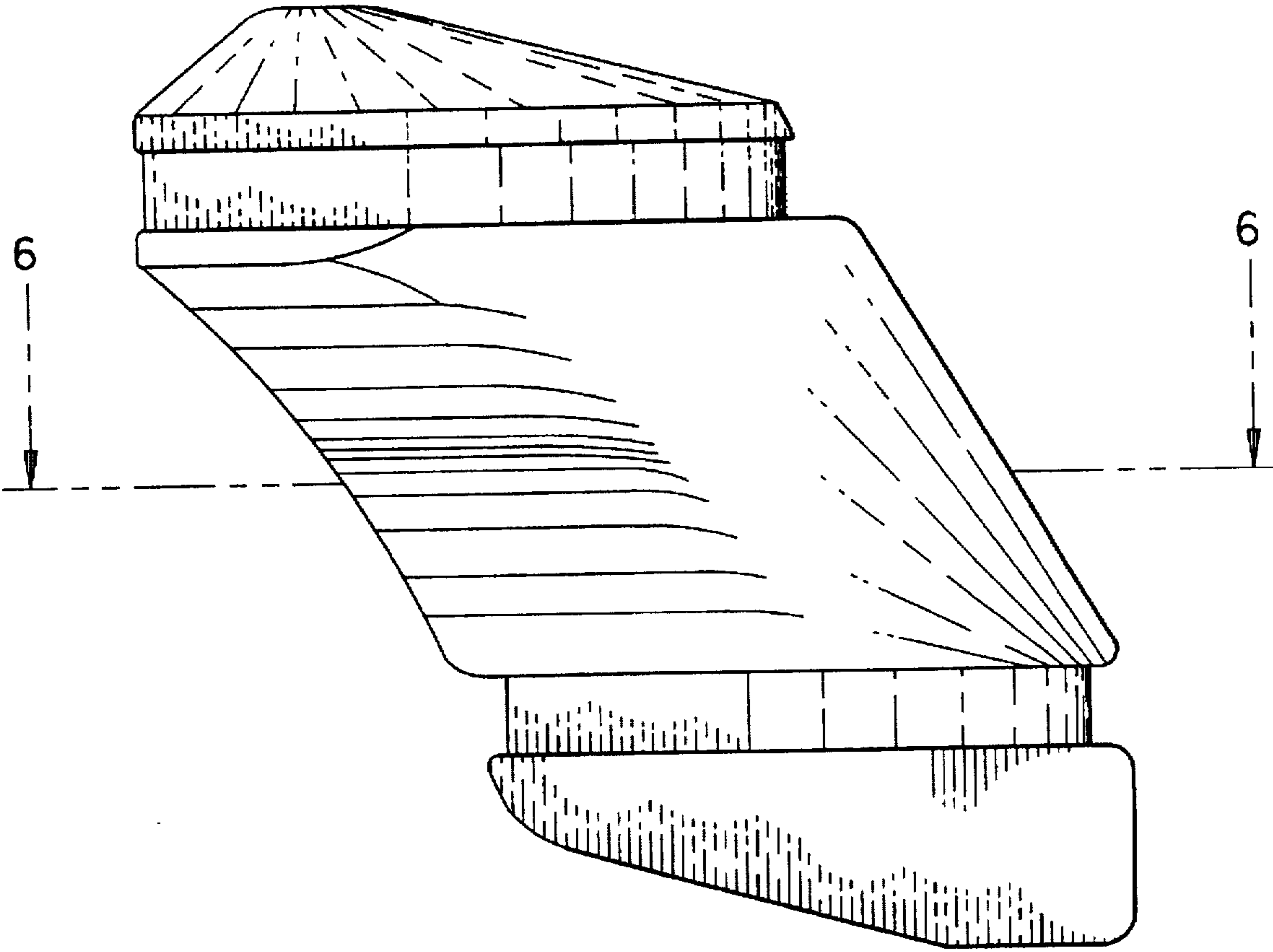


FIG.5

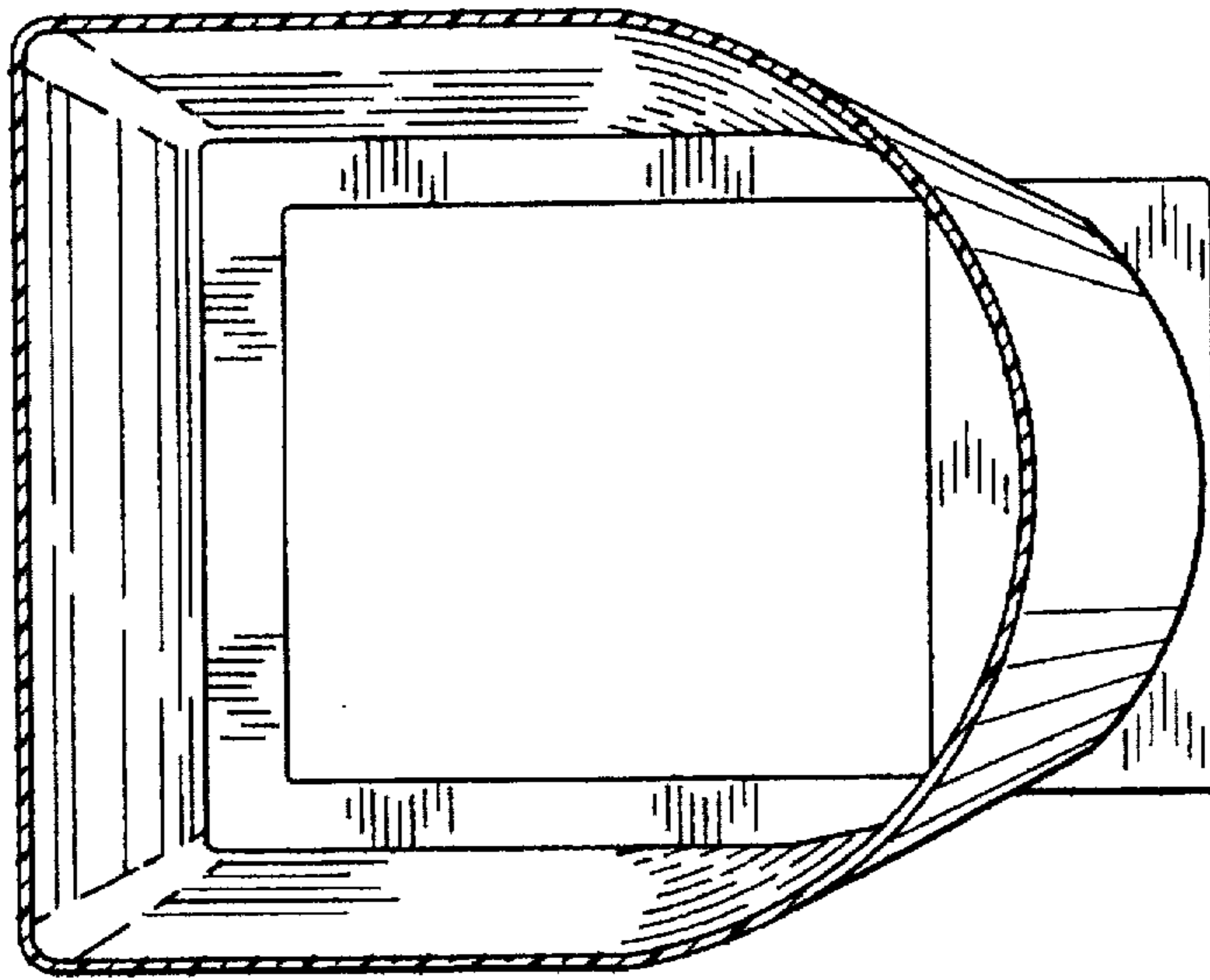


FIG. 6

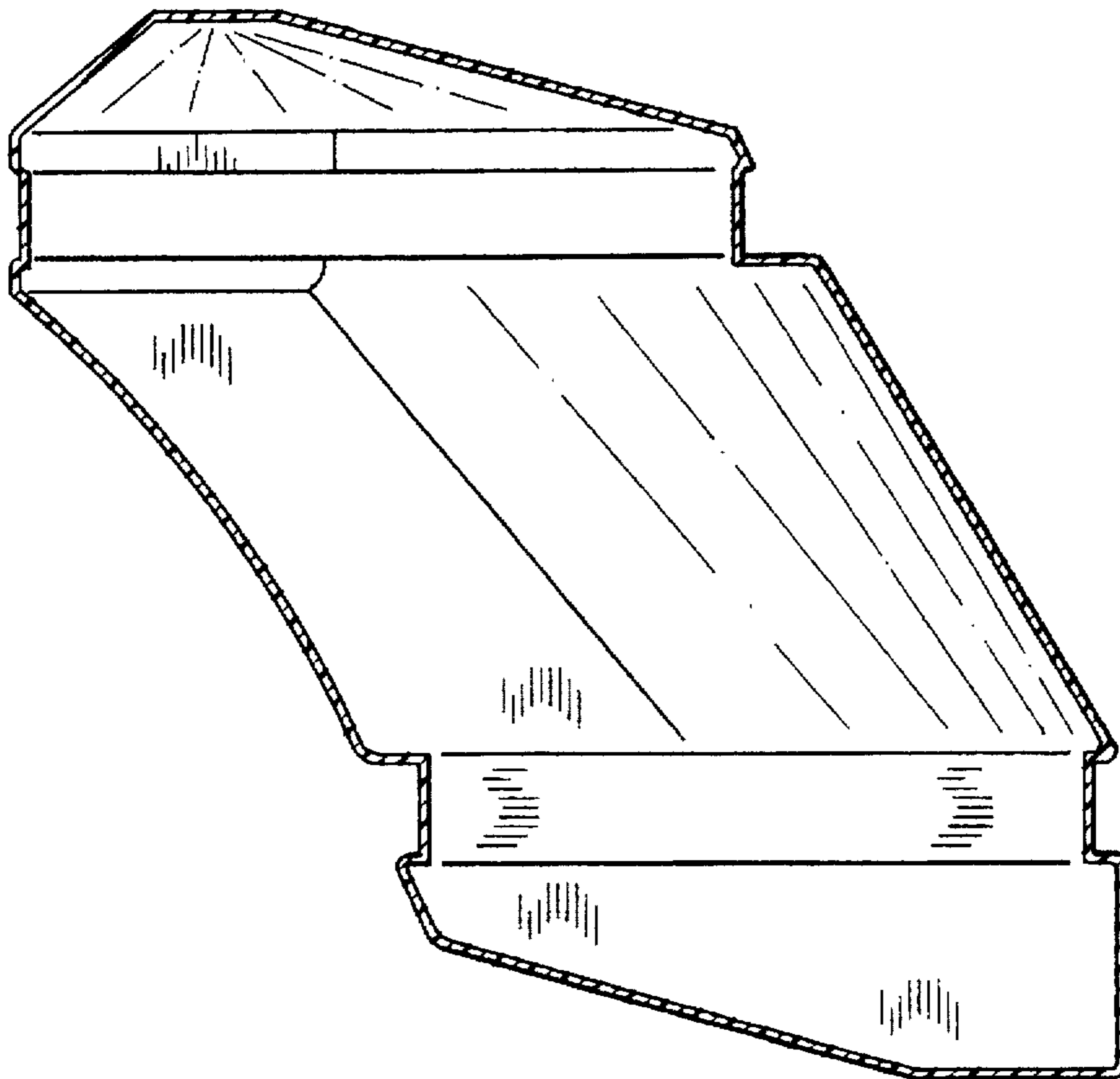


FIG. 7

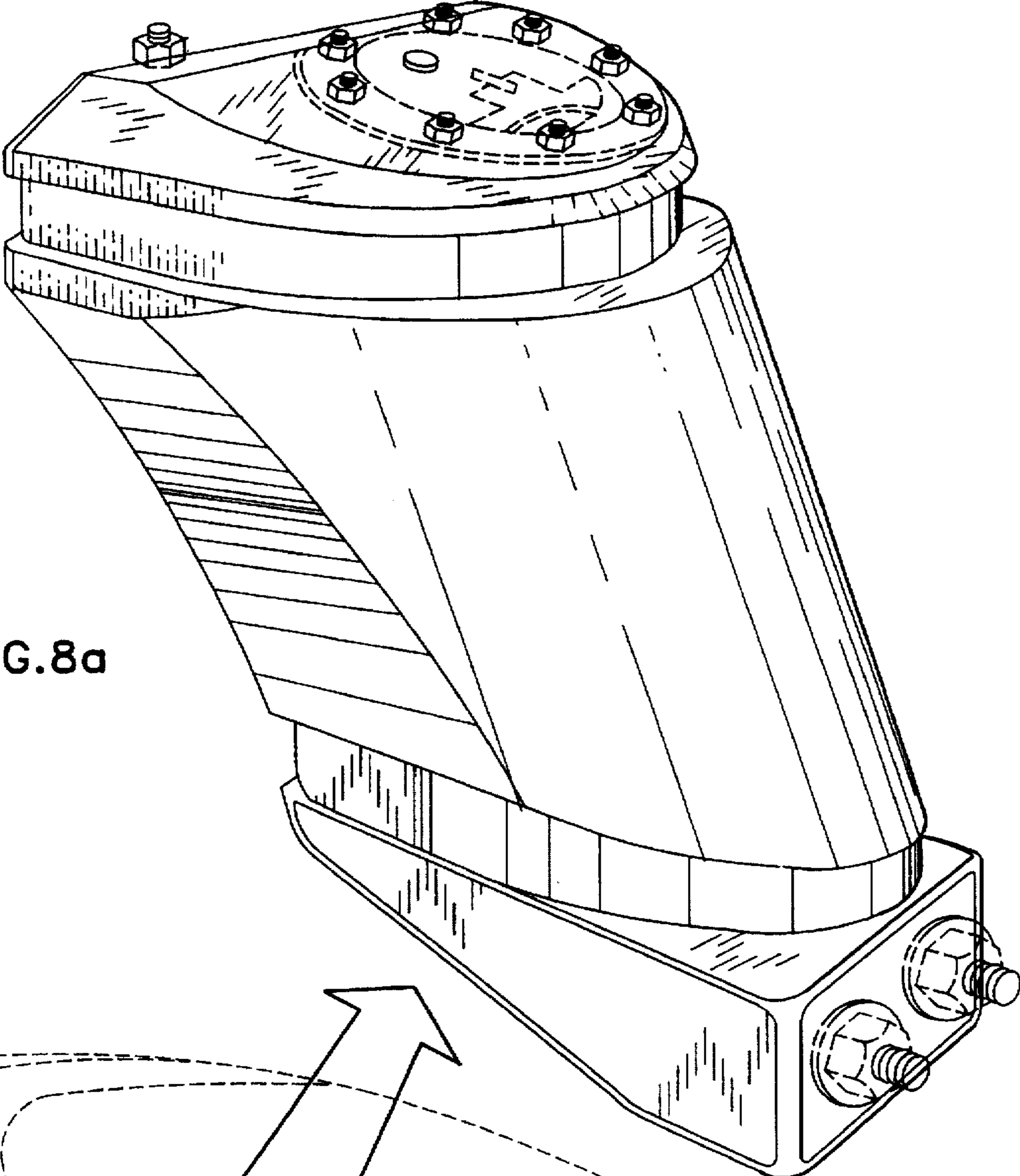


FIG. 8a

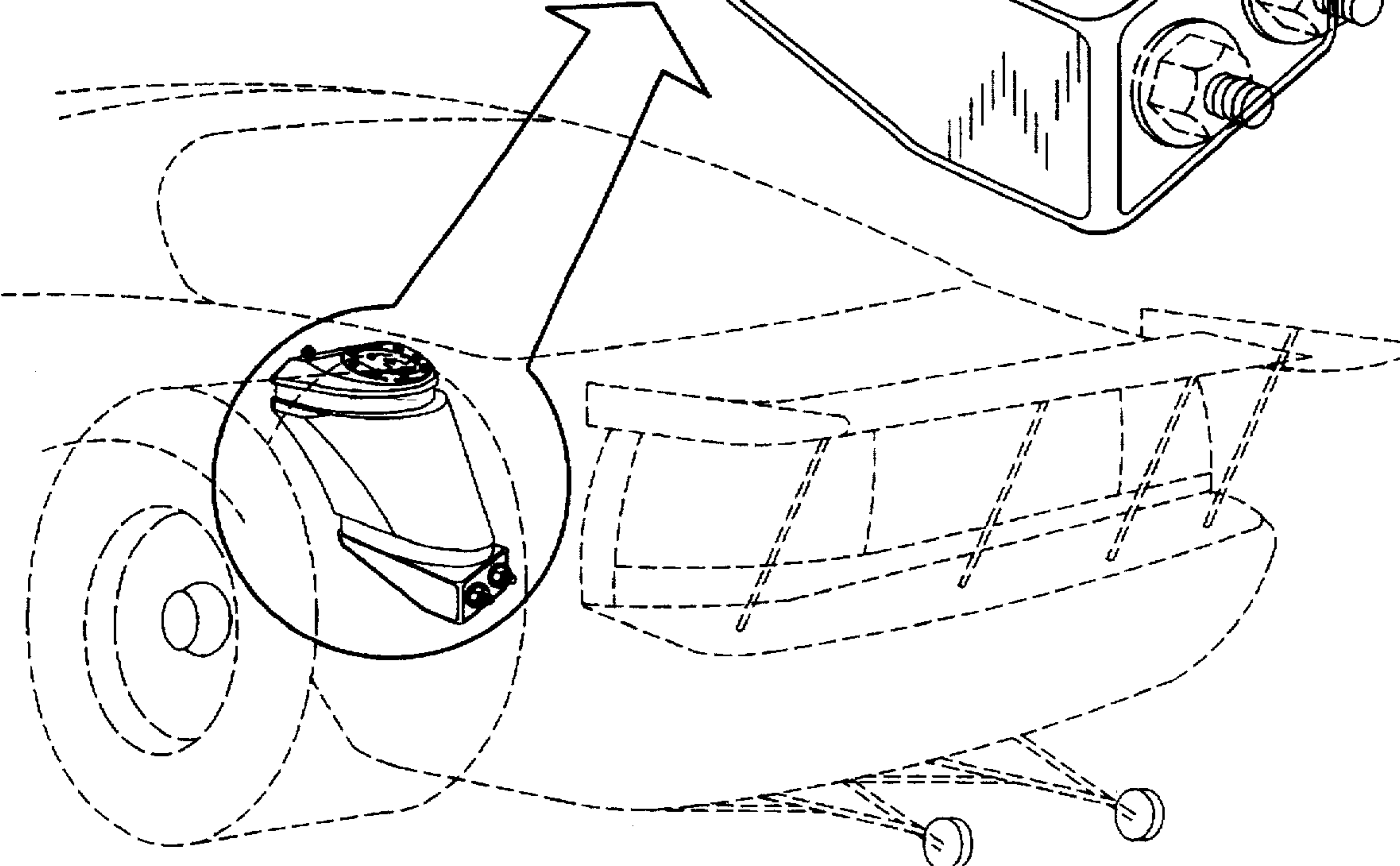


FIG. 8