



US00D390175S

United States Patent [19]
Ball et al.

[11] **Patent Number: Des. 390,175**
[45] **Date of Patent: **Feb. 3, 1998**

[54] **TIRE TREAD**

[75] **Inventors: Graham Stanley Ball**, Staffordshire, England; **Christopher Paul Johenning**, Wadsworth, Ohio; **John Janis Taube**, Tallmadge, Ohio; **Terry John Waibel**, Wadsworth, Ohio; **Christopher Alan Manthey**, Akron, Ohio; **Thomas Carl Evans**, Copley, Ohio

[73] **Assignee: The Goodyear Tire & Rubber Company**, Akron, Ohio

[**] **Term: 14 Years**

[21] **Appl. No.: 66,232**

[22] **Filed: Feb. 7, 1997**

[51] **LOC (6) Cl. 12-15**

[52] **U.S. Cl. D12/147**

[58] **Field of Search D12/136, 138, D12/140-151; 152/209 A, 209 B, 209 D**

[56] **References Cited**

U.S. PATENT DOCUMENTS

D. 15,121	6/1884	Pratt	D12/151
D. 66,108	12/1924	Belden	D12/145
D. 312,063	11/1990	Covert et al.	D12/147
D. 365,791	1/1996	Brown et al.	D12/146
4,667,717	5/1987	Graas	152/209 A

OTHER PUBLICATIONS

Heritage Mega Toque Plus 2 Tire, 1996 Tread Design Guide, p. 38, Jan. 1996.
Pirelli Wiinter 190P Tire, 1996 Tread Design Guide, p. 59, Jan. 1996.

Primary Examiner—James Gandy
Assistant Examiner—Robert M. Spear
Attorney, Agent, or Firm—T. P. Lewandowski

[57] **CLAIM**

The ornamental design for a tire tread, as shown and described.

DESCRIPTION

FIG. 1 is a perspective view of a tire tread, it being understood that the pattern repeats uniformly throughout the circumference of the tread;

FIG. 2 is a front elevational view thereof;

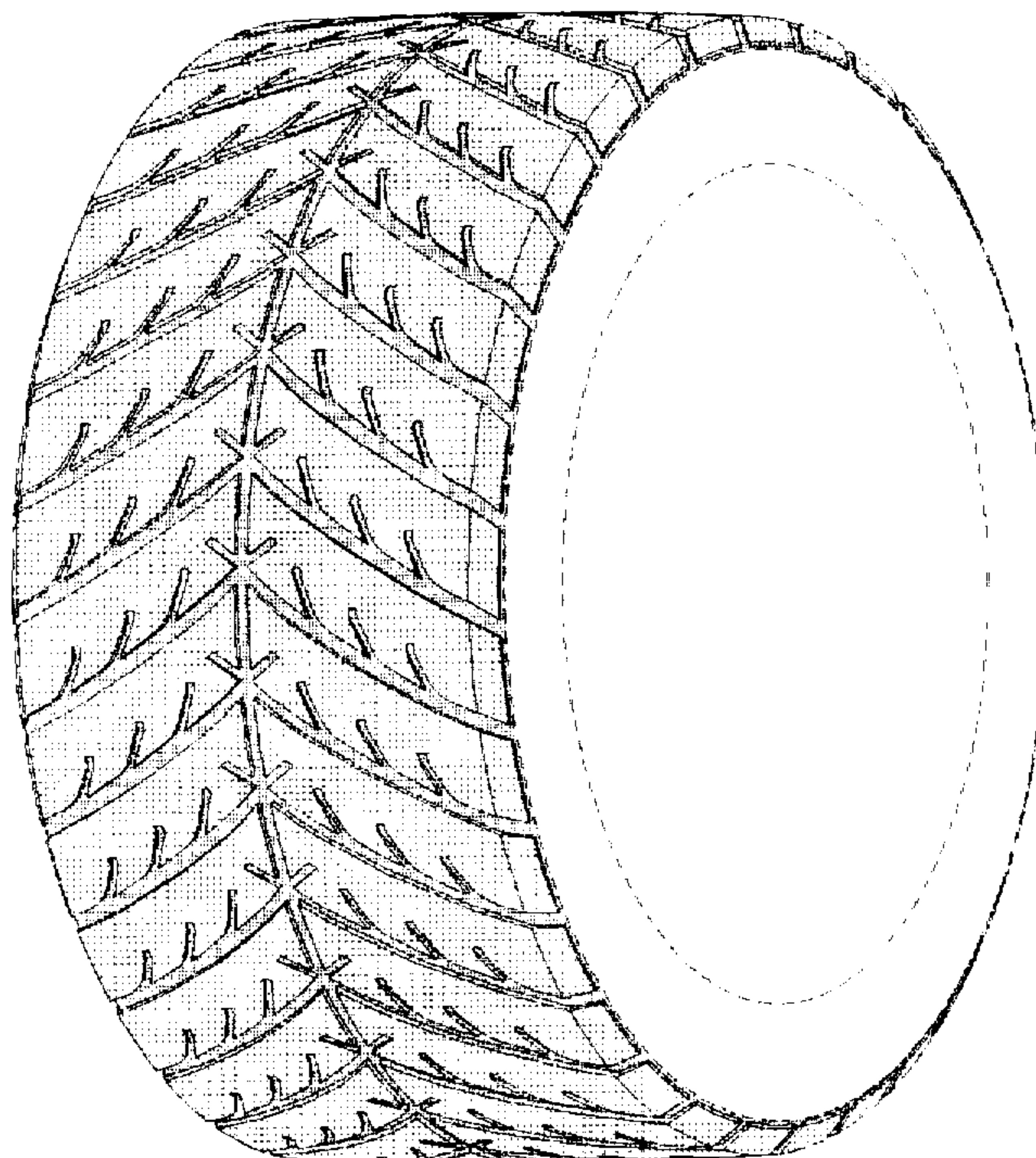
FIG. 3 is a right side elevational view thereof, the opposite side elevational view being a mirror image thereof;

FIG. 4 is a front elevational view of a second embodiment of a tire tread, it being understood that the pattern repeats uniformly throughout the circumference of the tread and that the side elevational view thereof are the same as shown and described in FIG. 3; and,

FIG. 5 is a front elevational view of a third embodiment of a tire tread, it being understood that the pattern repeats uniformly throughout the circumference of the tread and that the side elevational view thereof are the same as shown and described in FIG. 3.

In the drawings, the broken lines defining the inner bead of the sidewall and the peripheral boundary between the tire tread and the sidewall are for illustrative purposes only and form no part of the claimed design.

1 Claim, 5 Drawing Sheets



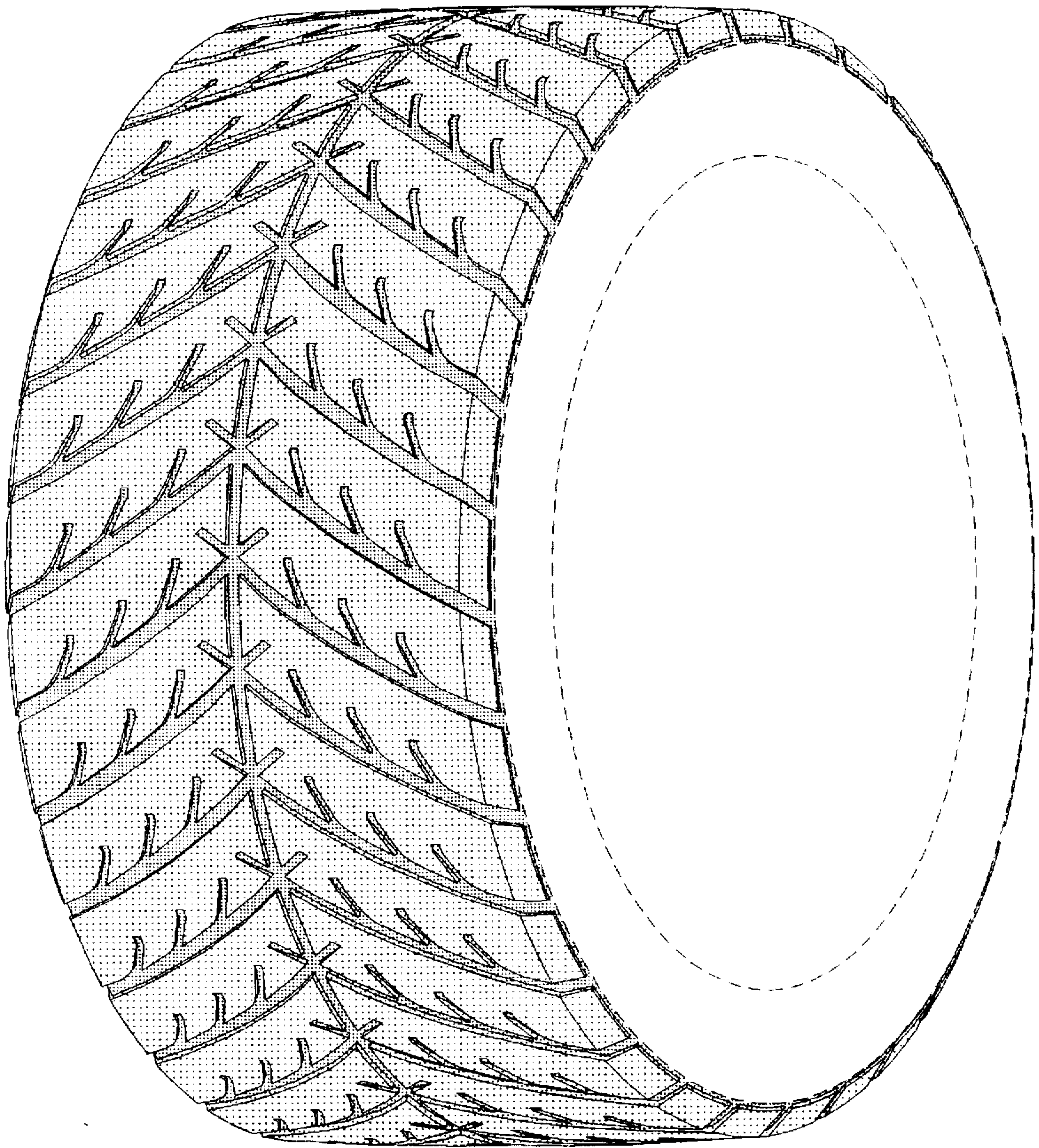


FIG. 1

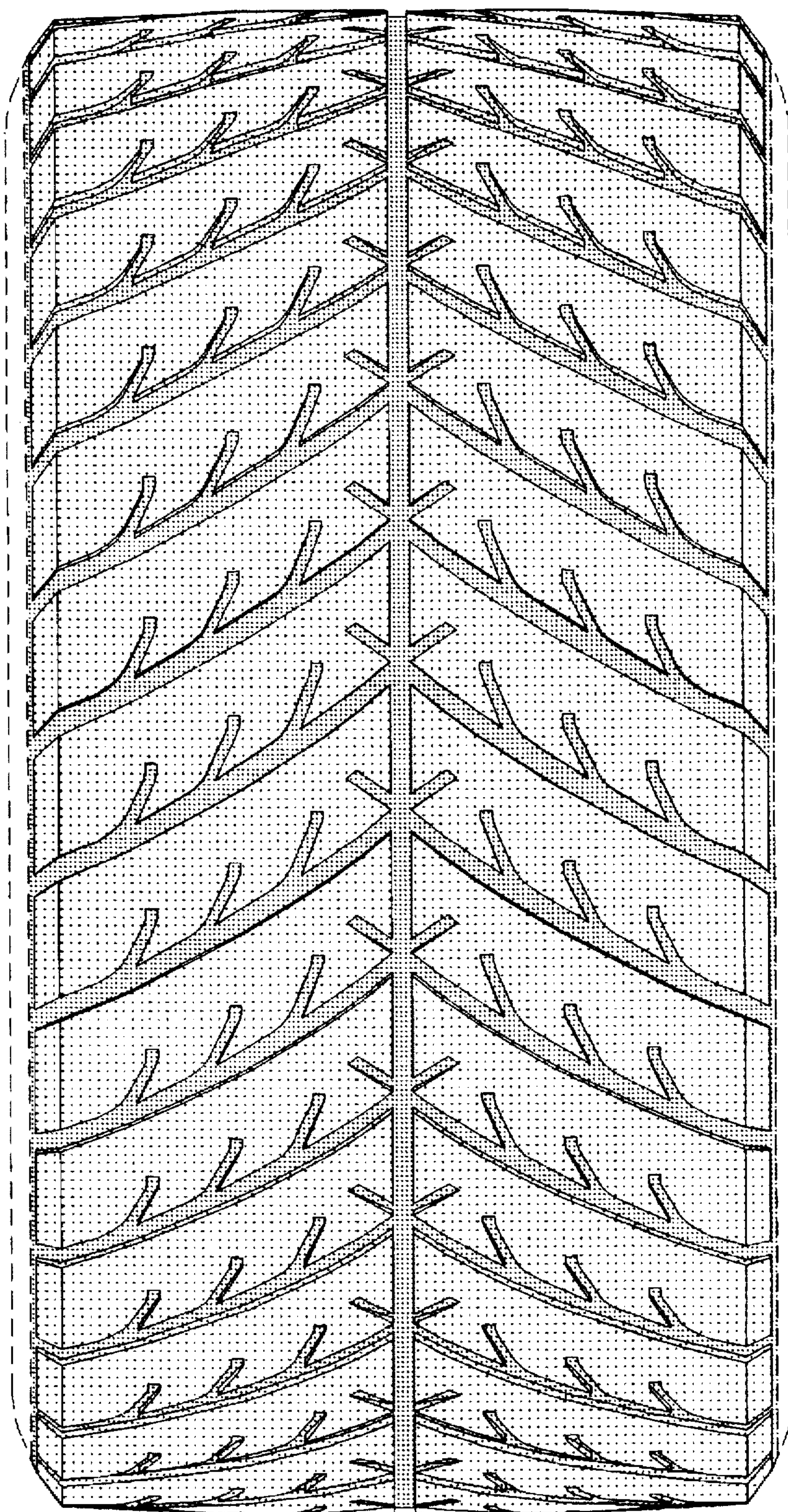


FIG. 2

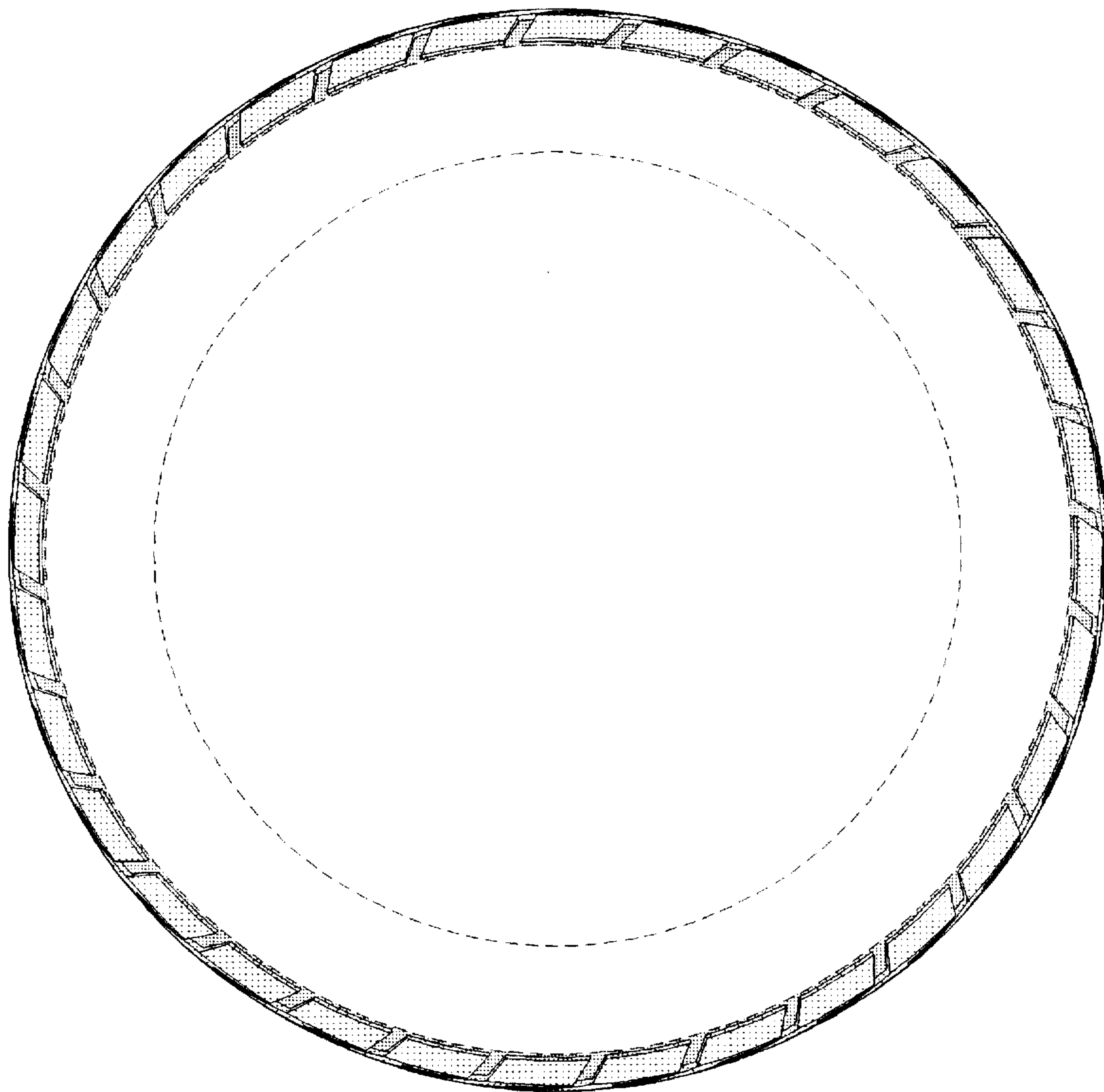


FIG. 3

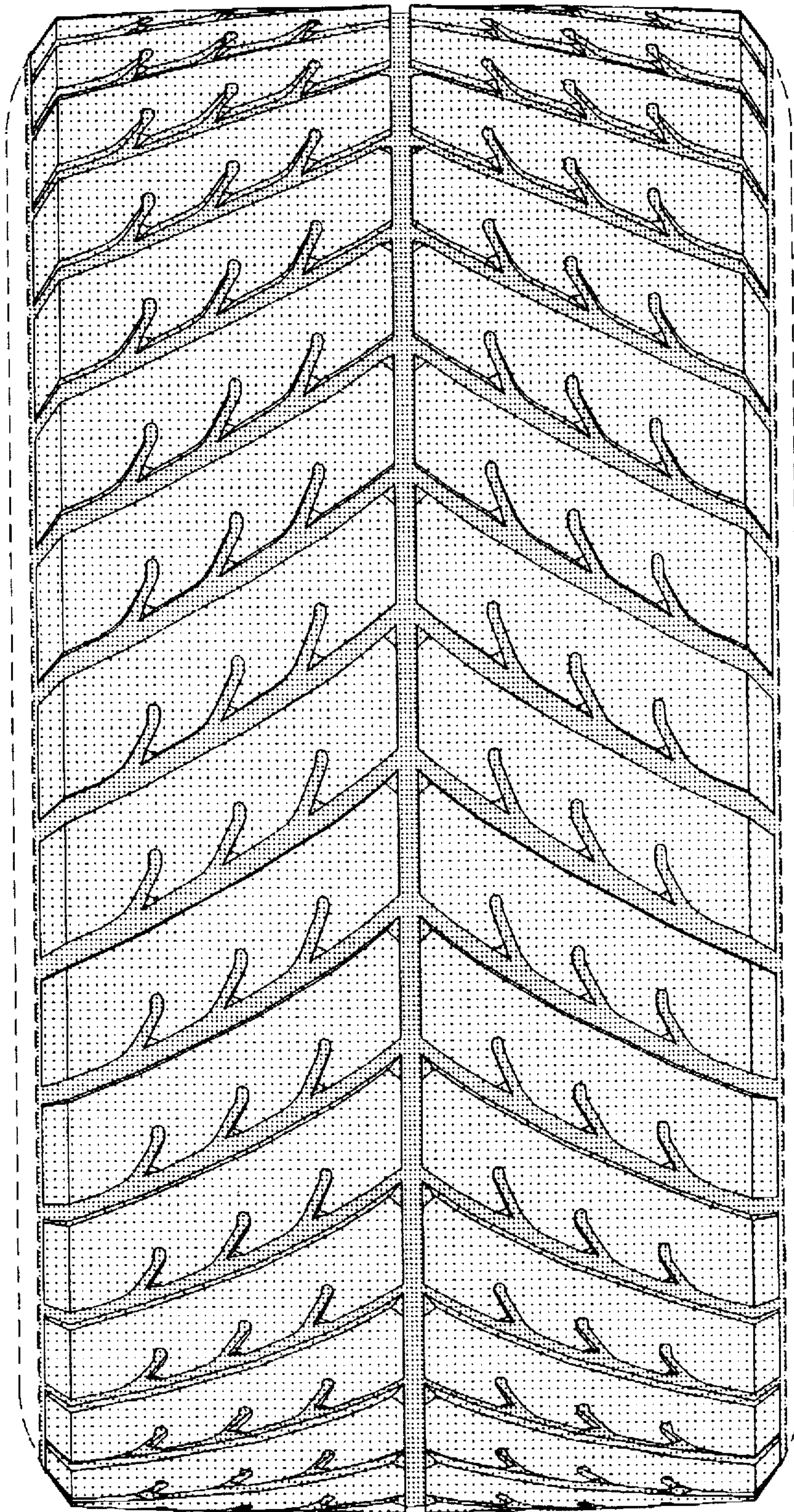


FIG. 4

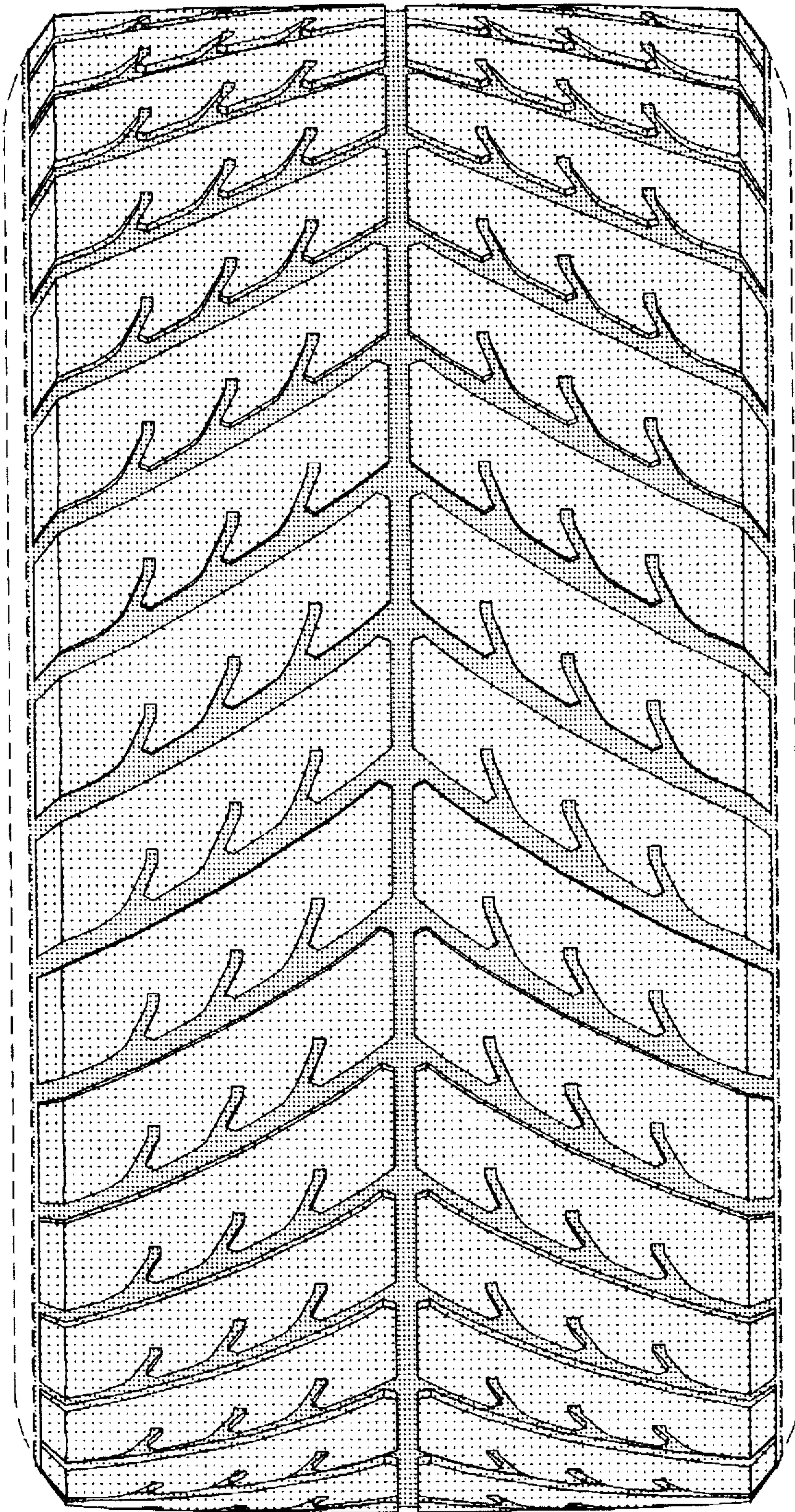


FIG. 5