



US00D390167S

United States Patent [19]

Dionisio

[11] Patent Number: **Des. 390,167**

[45] Date of Patent: ****Feb. 3, 1998**

[54] **BOAT TRAILER BEARING**

[76] Inventor: **Arthur Dionisio**, 831 SE. Starflower Ave., Pt. St. Lucie, Fla. 34983

[**] Term: **14 Years**

[21] Appl. No.: **59,775**

[22] Filed: **Sep. 16, 1996**

[51] LOC (6) Cl. **12-10**

[52] U.S. Cl. **D12/106**

[58] Field of Search **D12/106, 101; 280/414.1-414.3; 414/477**

[56] **References Cited**

U.S. PATENT DOCUMENTS

D. 276,420	11/1984	Godbersen	D12/101
D. 306,416	3/1990	Godbersen	D12/106
D. 342,045	12/1993	Kivett	D12/101
5,108,121	4/1992	Collis	280/414.1

5,176,394	1/1993	Veazey	280/414.2
5,431,423	7/1995	Nortland, Sr.	280/414.1 X
5,520,494	5/1996	Hughes	414/477

Primary Examiner—Melody N. Brown
Attorney, Agent, or Firm—Kevin Redmond

[57] **CLAIM**

The ornamental design for a boat trailer bearing, as shown and described.

DESCRIPTION

FIG. 1 is a front elevational view of a boat trailer bearing showing my new design, the rear view being a mirror image of the front view shown;

FIG. 2 is a top plan view thereof;

FIG. 3 is a bottom plan view thereof;

FIG. 4 is a left end elevational view thereof;

FIG. 5 is a right end elevational view thereof; and,

FIG. 6 is a perspective view thereof.

1 Claim, 1 Drawing Sheet

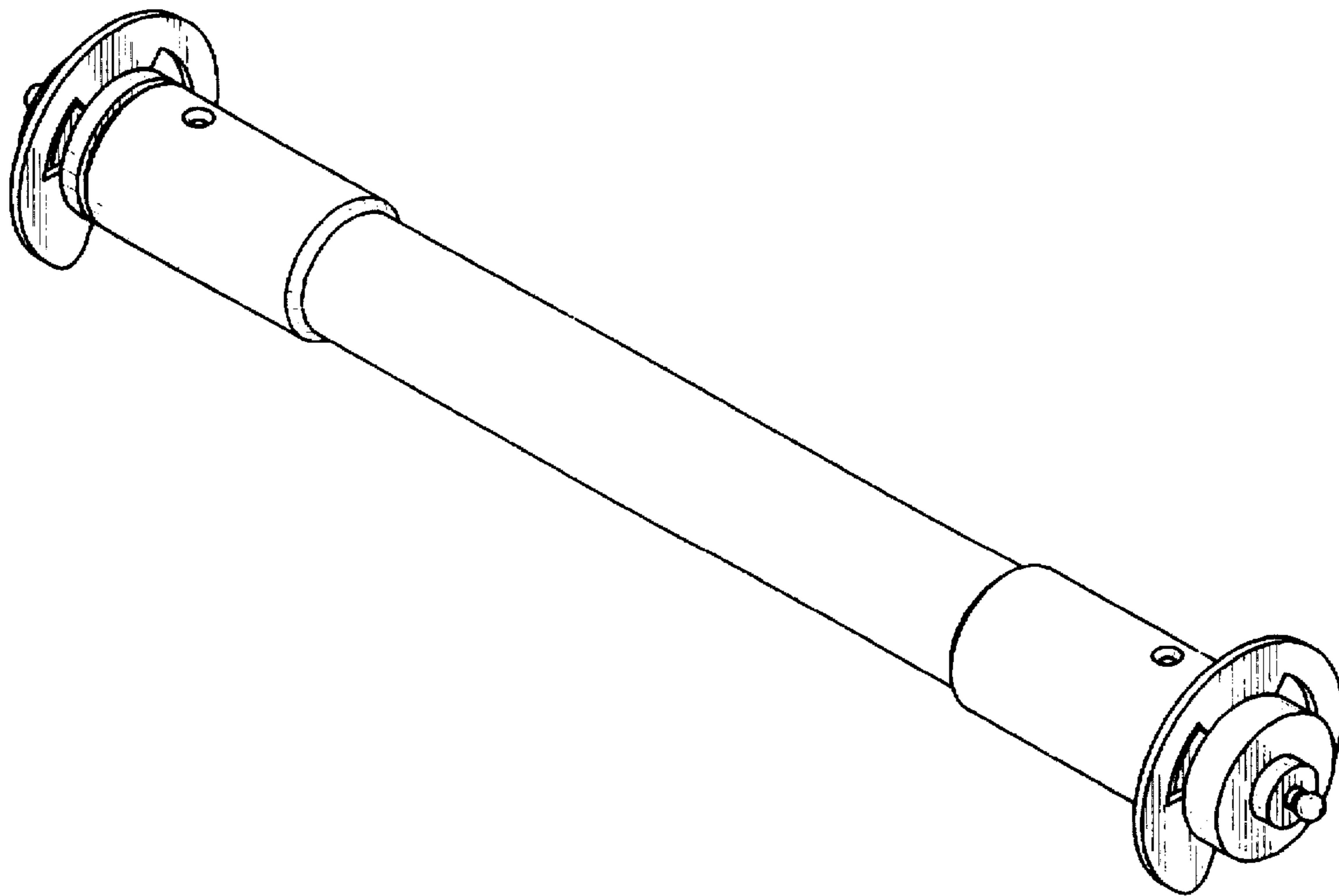


FIG. 1



FIG. 2

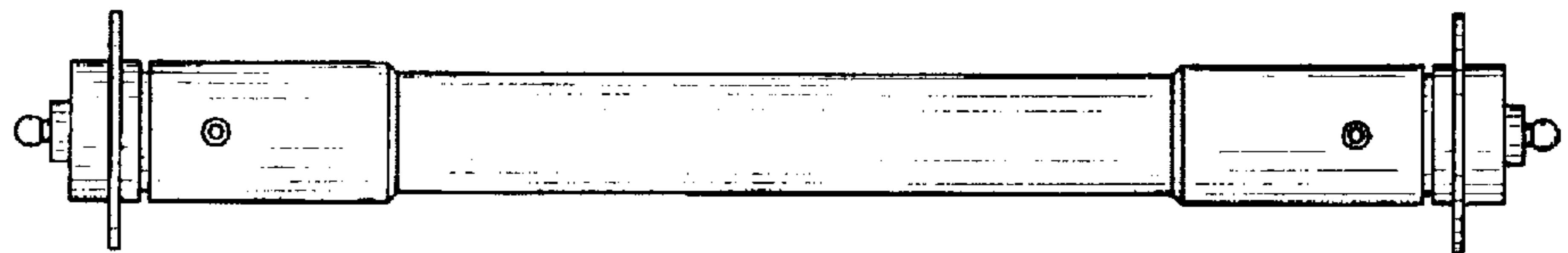


FIG. 3

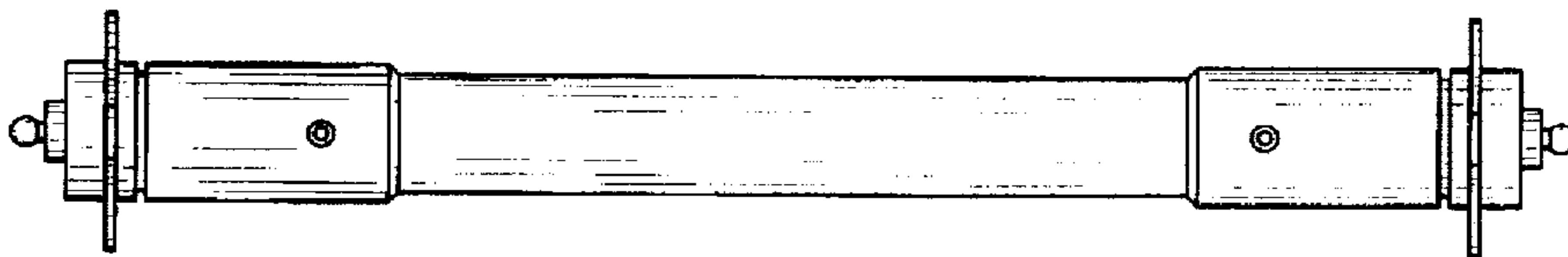


FIG. 4

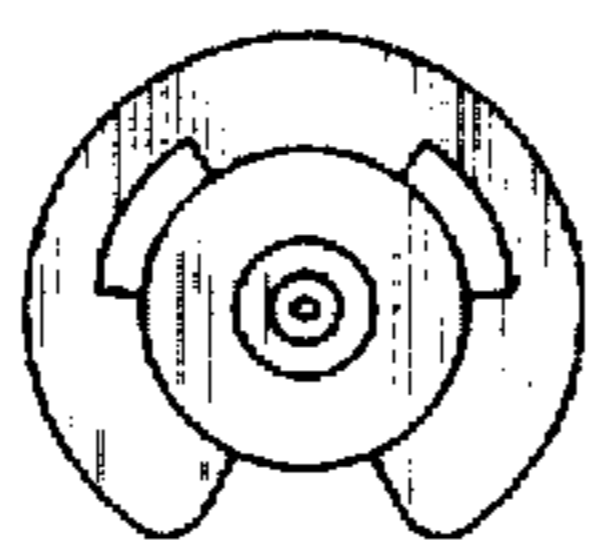


FIG. 5

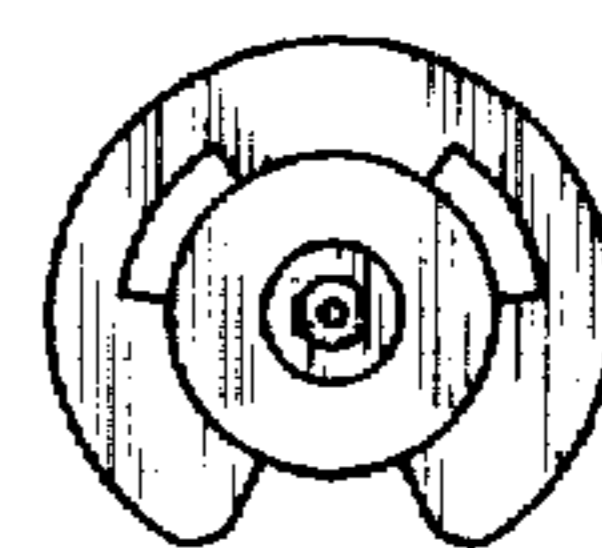


FIG. 6

