



US00D390147S

**United States Patent** [19]  
**Hartmann et al.**

[11] **Patent Number: Des. 390,147**  
[45] **Date of Patent: \*\*Feb. 3, 1998**

[54] **DEER WARNING**

[75] **Inventors: Jerome J. Hartmann, Carlisle; Thomas R. Steinhagen, West Des Moines; Charles A. Haas, Des Moines; John E. Shenken, West Des Moines, all of Iowa**

[73] **Assignee: Cobbs Manufacturing Company, Des Moines, Iowa**

[\*\*] **Term: 14 Years**

[21] **Appl. No.: 59,770**

[22] **Filed: Sep. 16, 1996**

[51] **LOC (6) Cl. .... 10-05**

[52] **U.S. Cl. .... D10/116**

[58] **Field of Search .... D10/104, 116, D10/119, 121; 446/213, 397; D22/125**

[56]

**References Cited**

**U.S. PATENT DOCUMENTS**

D. 376,555 12/1996 Gebhardt ..... D10/116

**OTHER PUBLICATIONS**

Harriet Carter Oct. 3, 1994 p. 32 (animal protector).

*Primary Examiner*—Marcus A. Jackson

[57]

**CLAIM**

The ornamental design for a deer warning, as shown.

**DESCRIPTION**

FIG. 1 is a front elevational view;

FIG. 2 is a rear elevational view;

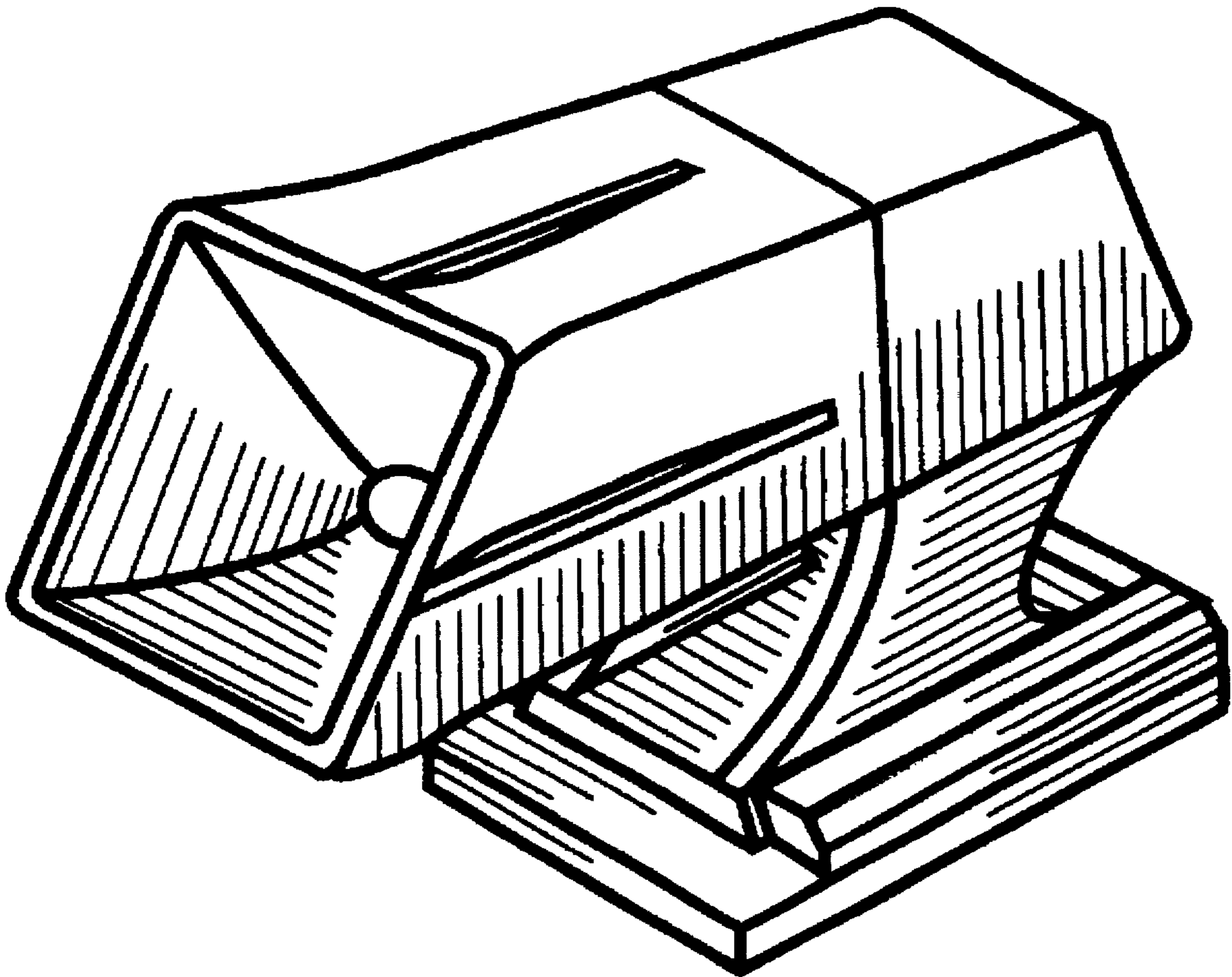
FIG. 3 is a left side view;

FIG. 4 is a bottom view;

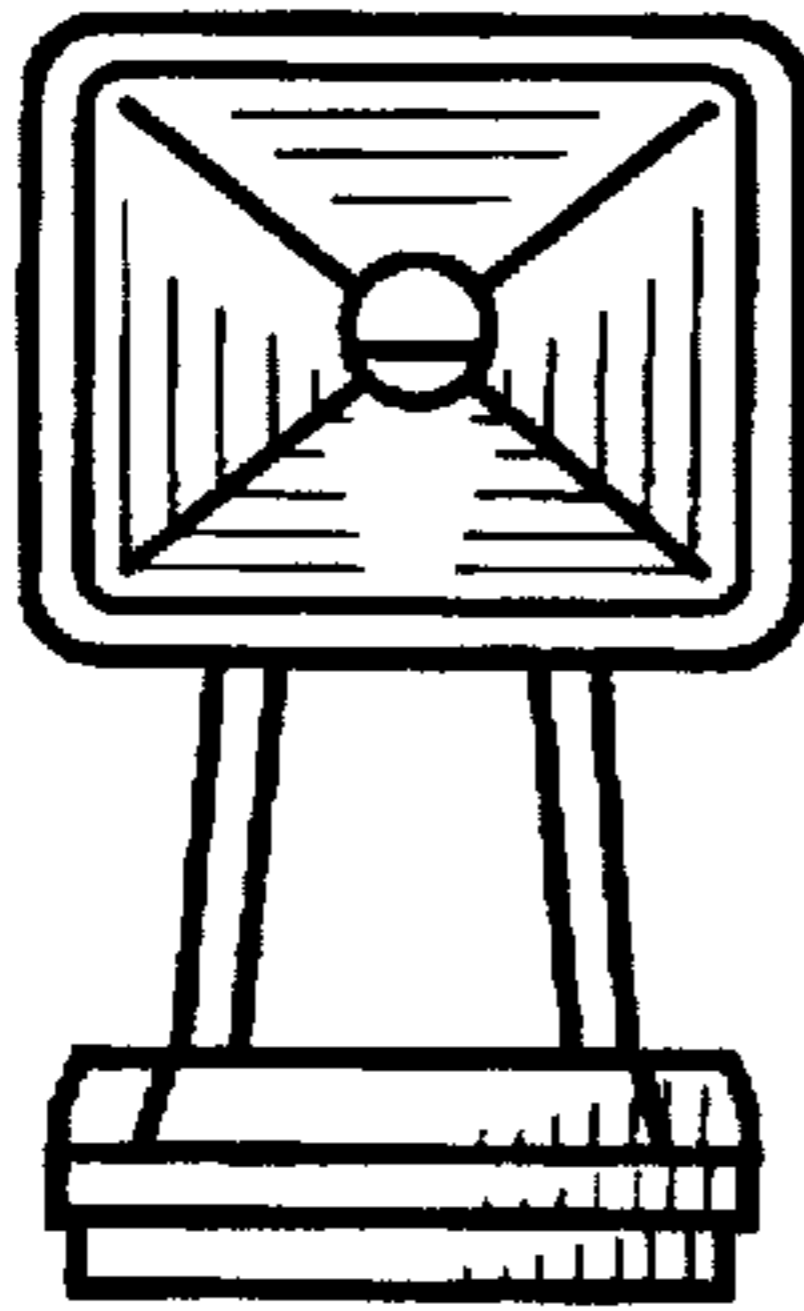
FIG. 5 is a top view; and,

FIG. 6 is a front perspective view.

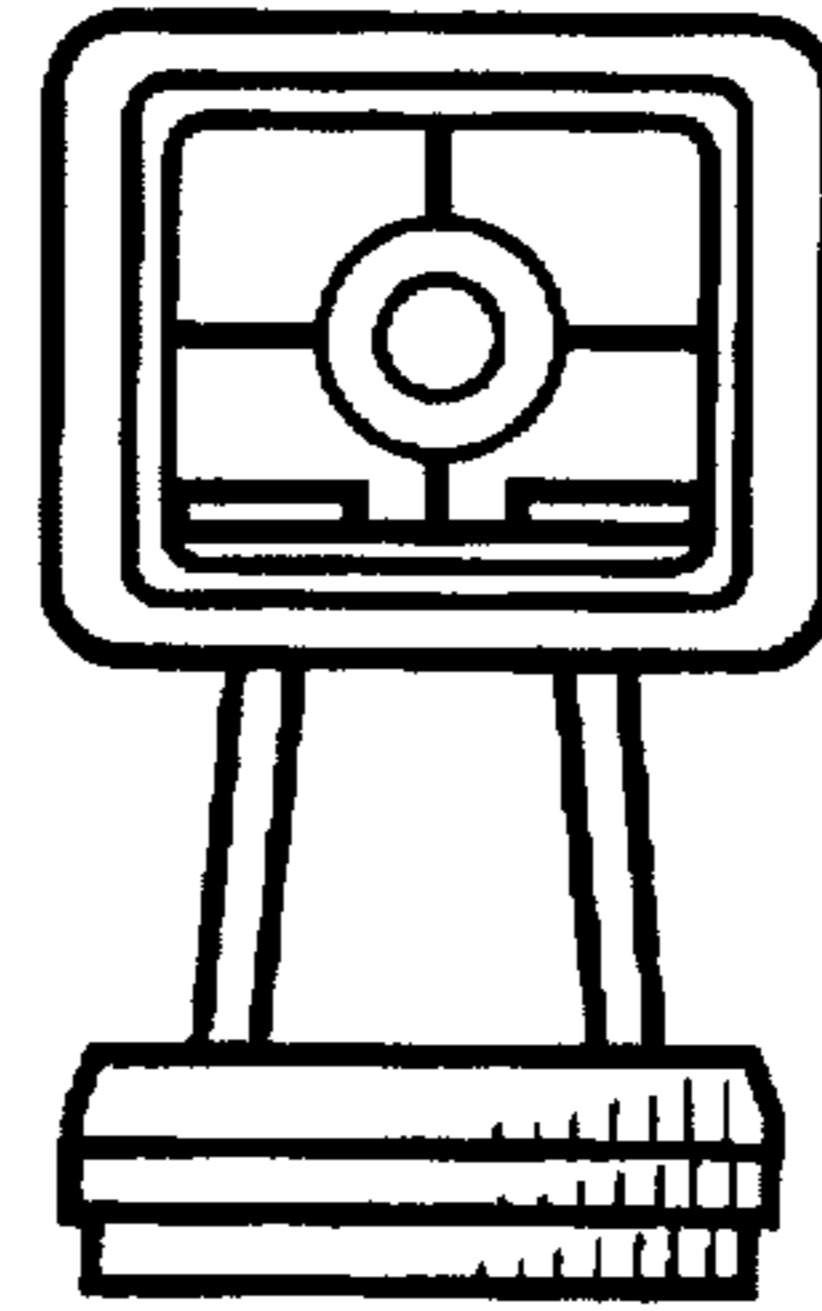
**1 Claim, 1 Drawing Sheet**



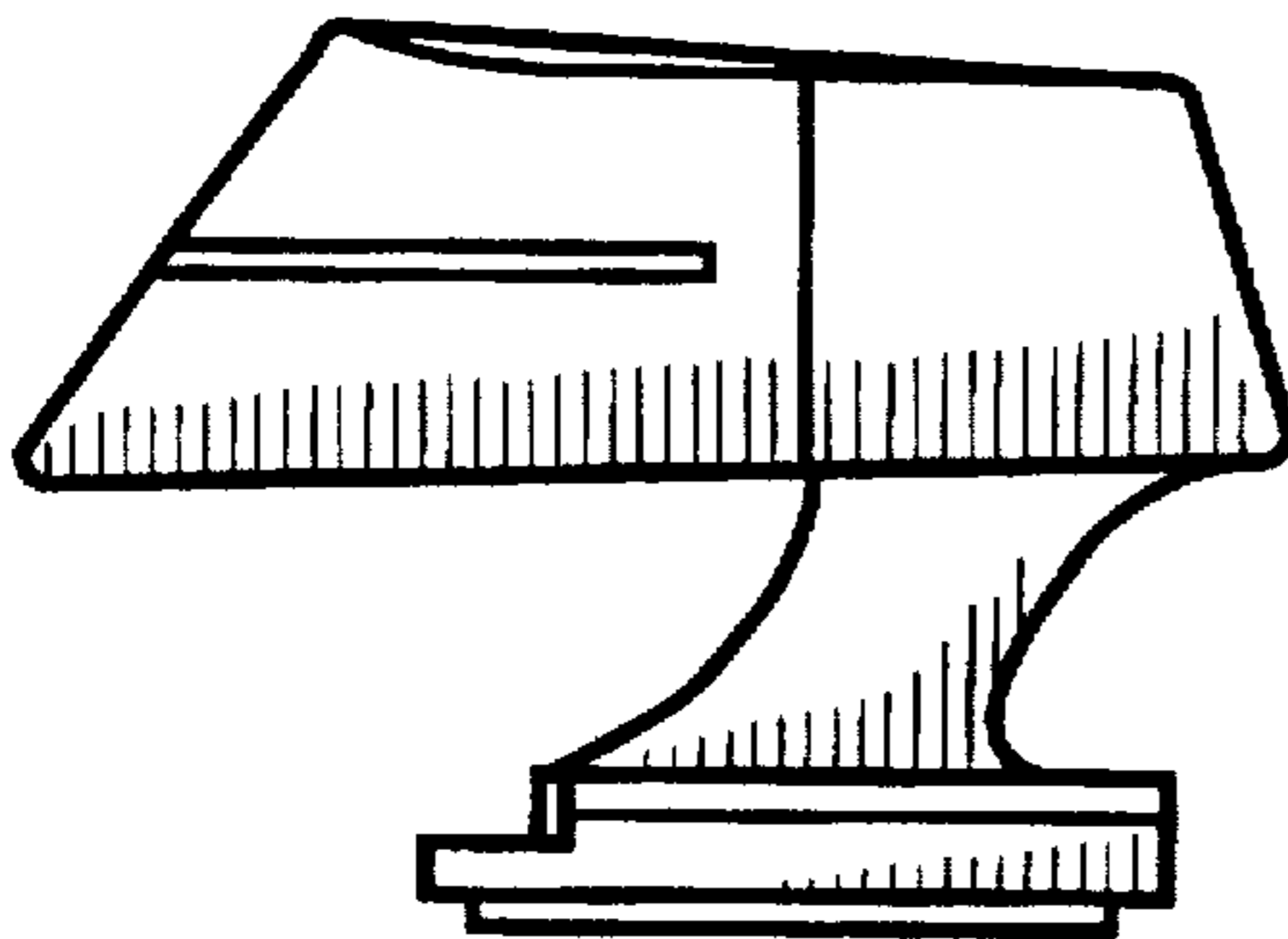
*Fig 1*



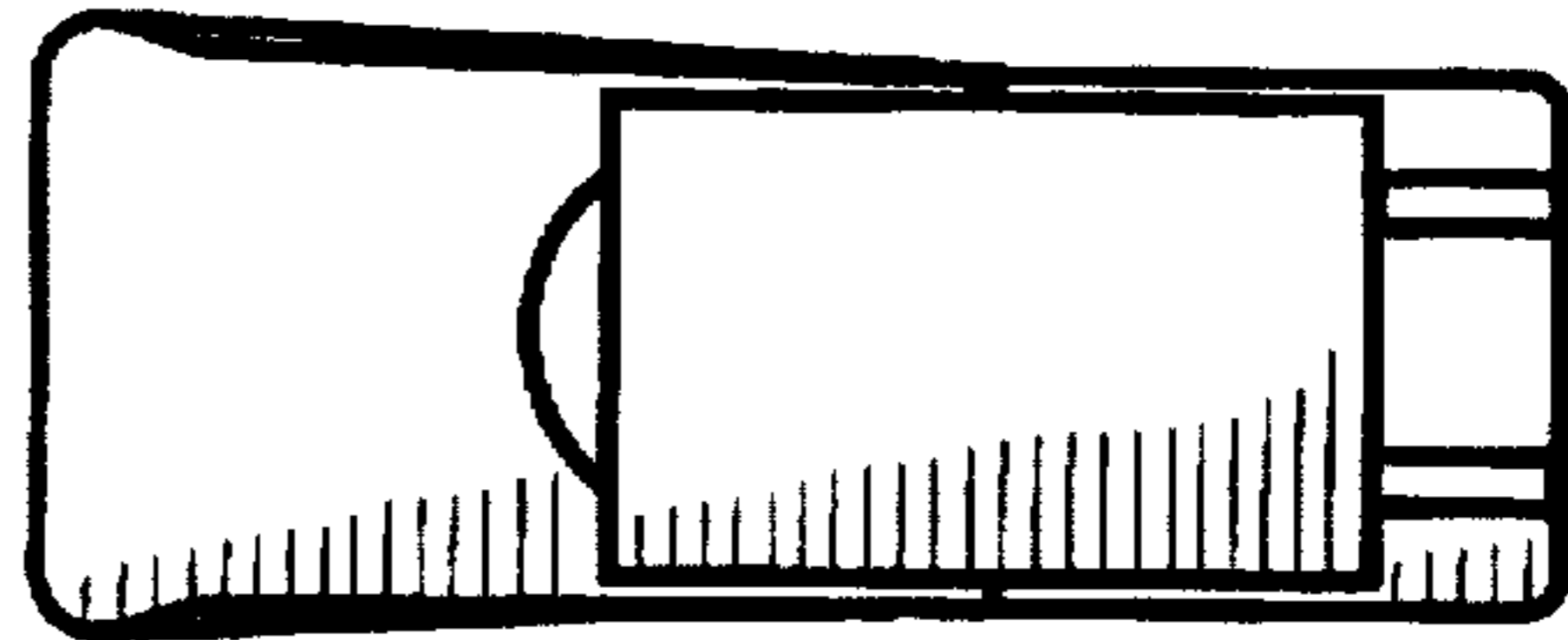
*Fig 2*



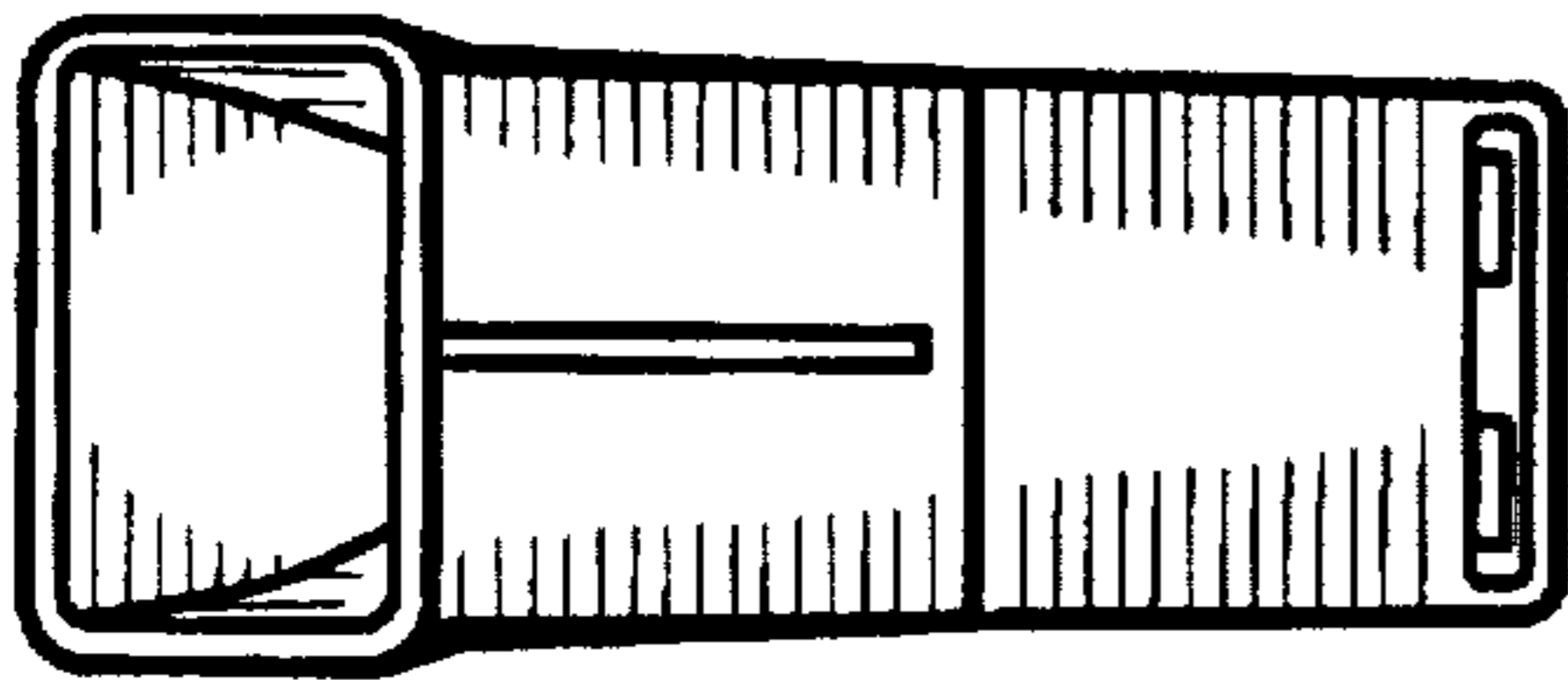
*Fig 3*



*Fig 4*



*Fig 5*



*Fig 6*

