



US00D390144S

United States Patent [19]
Rechberg

[11] **Patent Number:** **Des. 390,144**
[45] **Date of Patent:** ****Feb. 3, 1998**

[54] **VEHICLE PARKING SIGNAL**
[76] **Inventor:** **Robert Rechberg, 25501 Edna Rd.,
Murrieta, Calif. 92562**

D. 312,977 12/1990 Quante D10/109
D. 363,249 10/1995 Castillo D10/109
D. 373,094 8/1996 Marderosian D10/109
D. 377,621 1/1997 Papa D10/109

[**] **Term:** **14 Years**

Primary Examiner—Marcus A. Jackson
Attorney, Agent, or Firm—Stetina Brunda Garred &
Brucker

[21] **Appl. No.:** **70,761**

[22] **Filed:** **May 15, 1997**

[57] **CLAIM**

[51] **LOC (6) Cl.** **10-05**

The ornamental design for a vehicle parking signal, as shown and described.

[52] **U.S. Cl.** **D10/109**

[58] **Field of Search** D10/104, 106,
D10/109, 110, 111, 114, 121; 116/28 A,
28 R, 28.1, 29, 30; 340/425.5, 435, 436,
437, 438

DESCRIPTION

FIG. 1 is an enlarged front perspective view of the vehicle parking signal of the present invention showing my new design;

FIG. 2 a front perspective view thereof; and,

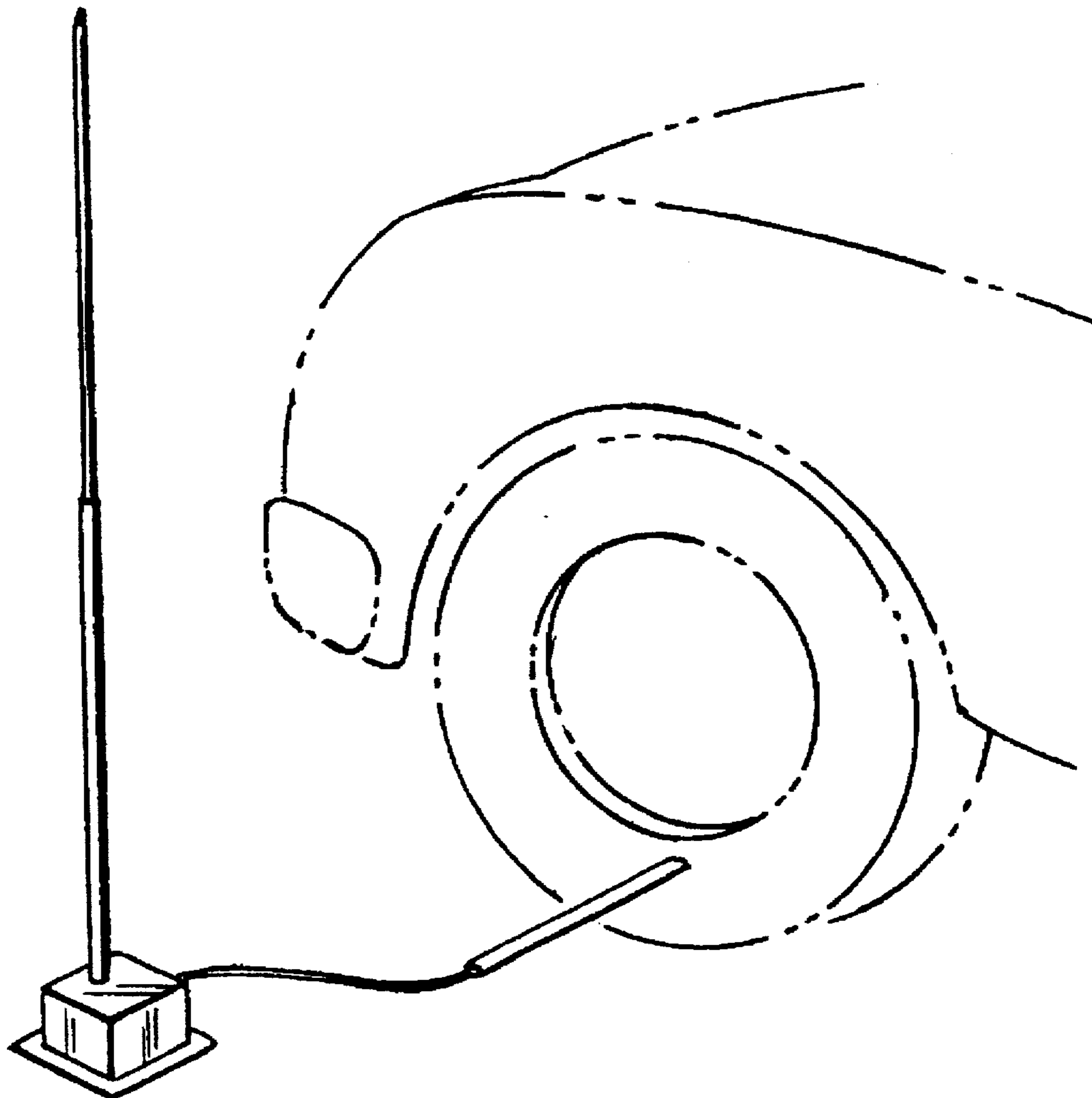
FIG. 3 is a rear perspective view thereof.

[56] **References Cited**

U.S. PATENT DOCUMENTS

D. 240,209 6/1976 Mendelsohn D10/109
D. 249,782 10/1978 Marcus D10/109

1 Claim, 1 Drawing Sheet



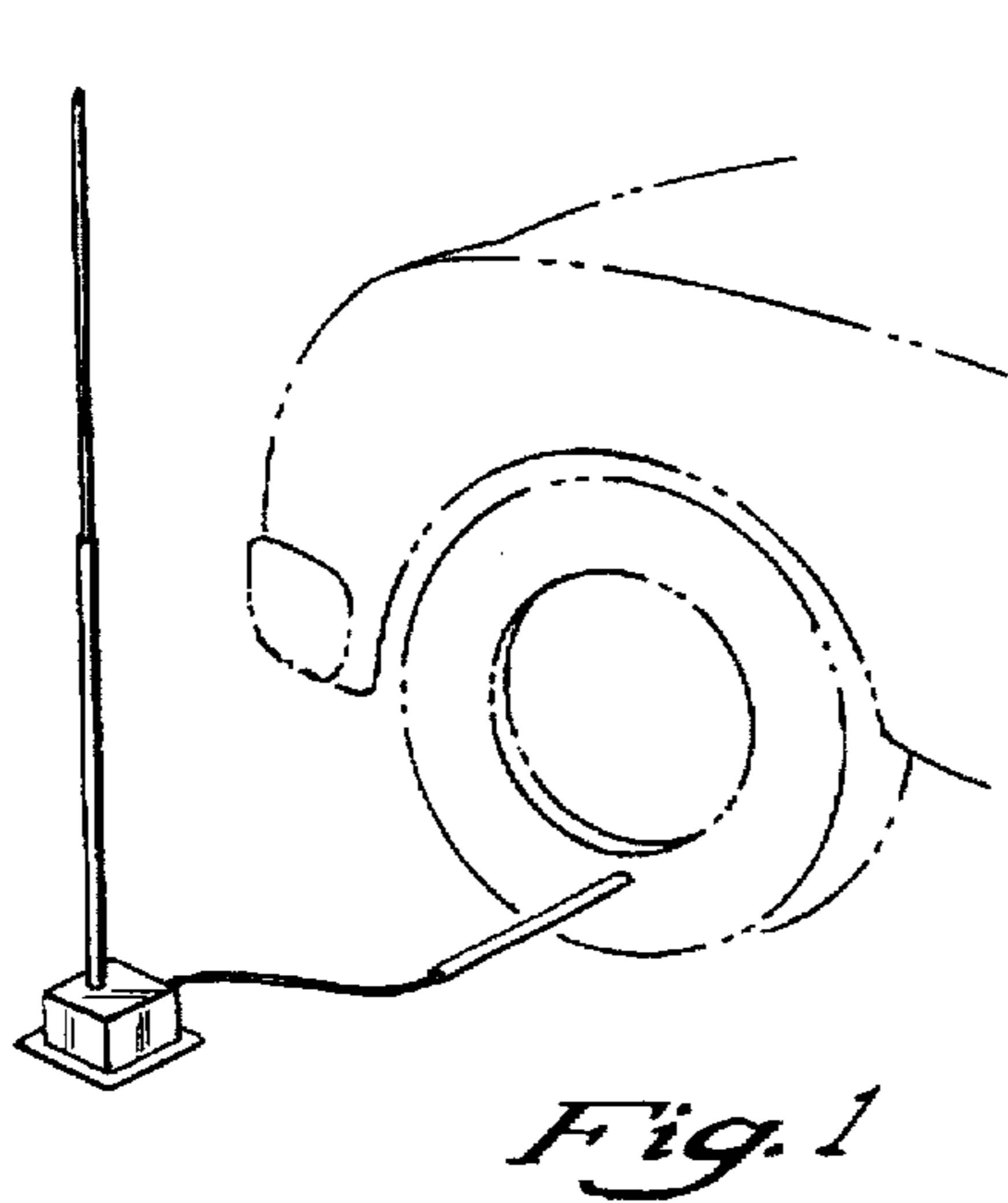


Fig. 1

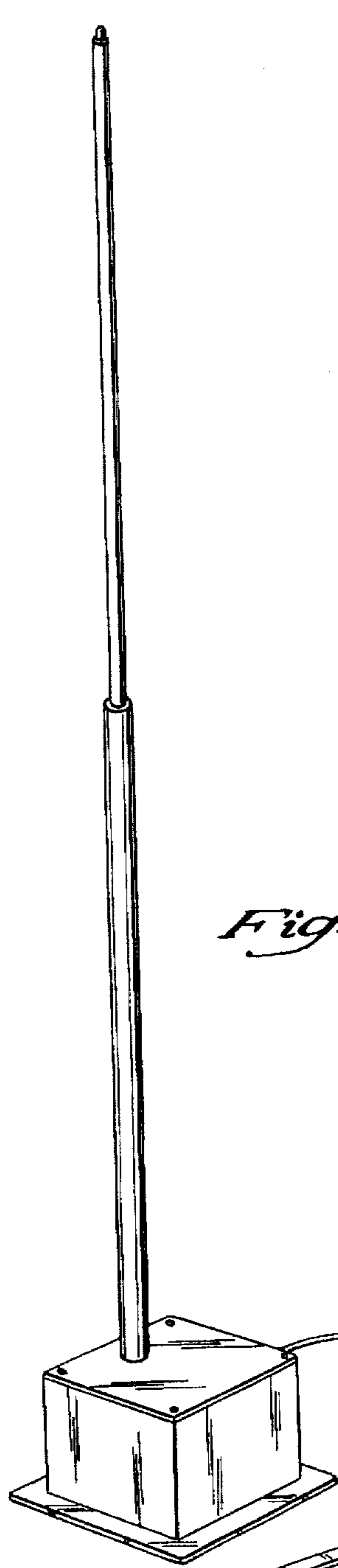


Fig. 2

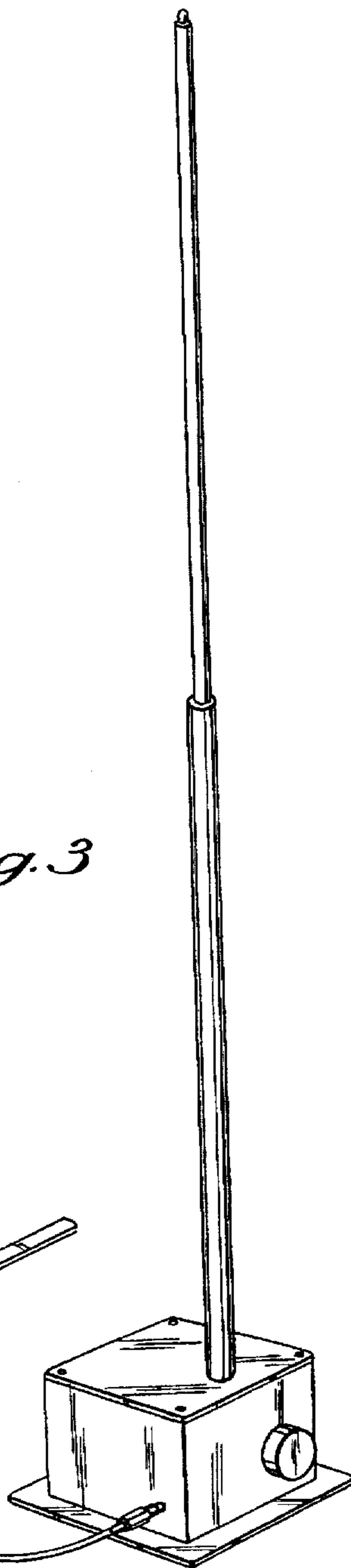


Fig. 3

