



US00D390143S

United States Patent [19]

Rosen

[11] Patent Number: **Des. 390,143**

[45] Date of Patent: ****Feb. 3, 1998**

[54] **WALL-MOUNTED MONITOR**

[75] Inventor: **John B. Rosen**, Eugene, Oreg.

[73] Assignee: **Advanced Multimedia Products Corporation**, Eugene, Oreg.

[**] Term: **14 Years**

[21] Appl. No.: **72,625**

[22] Filed: **Jun. 20, 1997**

[51] LOC (6) Cl. **10-05**

[52] U.S. Cl. **D10/104**

[58] Field of Search D10/104, 106, D10/116, 121; 340/521, 540, 541, 542, 543, 544, 545, 546, 556, 565, 571, 572, 573

[56] **References Cited**

U.S. PATENT DOCUMENTS

D. 311,877	11/1990	Cheng	D10/104
D. 351,564	10/1994	Schepis	D10/104
D. 380,452	7/1997	Mix et al.	D10/104
4,843,477	6/1989	Mizutani et al.	.	
5,161,028	11/1992	Kawata et al.	.	
5,335,076	8/1994	Reh et al.	.	
5,362,144	11/1994	Shioya et al.	.	

Primary Examiner—Marcus A. Jackson
Attorney, Agent, or Firm—Kolisch, Hartwell, Dickinson, McCormack & Heuser

[57] **CLAIM**

The ornamental design for a wall-mounted monitor, as shown and described.

DESCRIPTION

FIG. 1 is an isometric view of a wall-mounted monitor

constructed in accordance with a first embodiment of the invention, the monitor being shown in a deployed orientation;

FIG. 2 is a front view of the wall-mounted monitor shown in FIG. 1, but with the monitor in a stowed orientation;

FIG. 3 is a left-side view of the wall-mounted monitor as shown in FIG. 2, with the broken line showing for illustrative purposes only and forming no part of the claimed design;

FIG. 4 is a right-side view of the wall-mounted monitor of FIG. 2;

FIG. 5 is a bottom view of the wall-mounted monitor of FIG. 2;

FIG. 6 is a rear view of the wall-mounted monitor of FIG. 2;

FIG. 7 is an isometric view of a wall-mounted monitor constructed in accordance with a second embodiment of the invention, the monitor being shown in a deployed orientation;

FIG. 8 is a front view of the wall-mounted monitor of FIG. 7, but with the monitor in a stowed orientation;

FIG. 9 is a right-side view of the wall-mounted monitor as shown in FIG. 8, with the broken line showing for illustrative purposes only and forming no part of the claimed design;

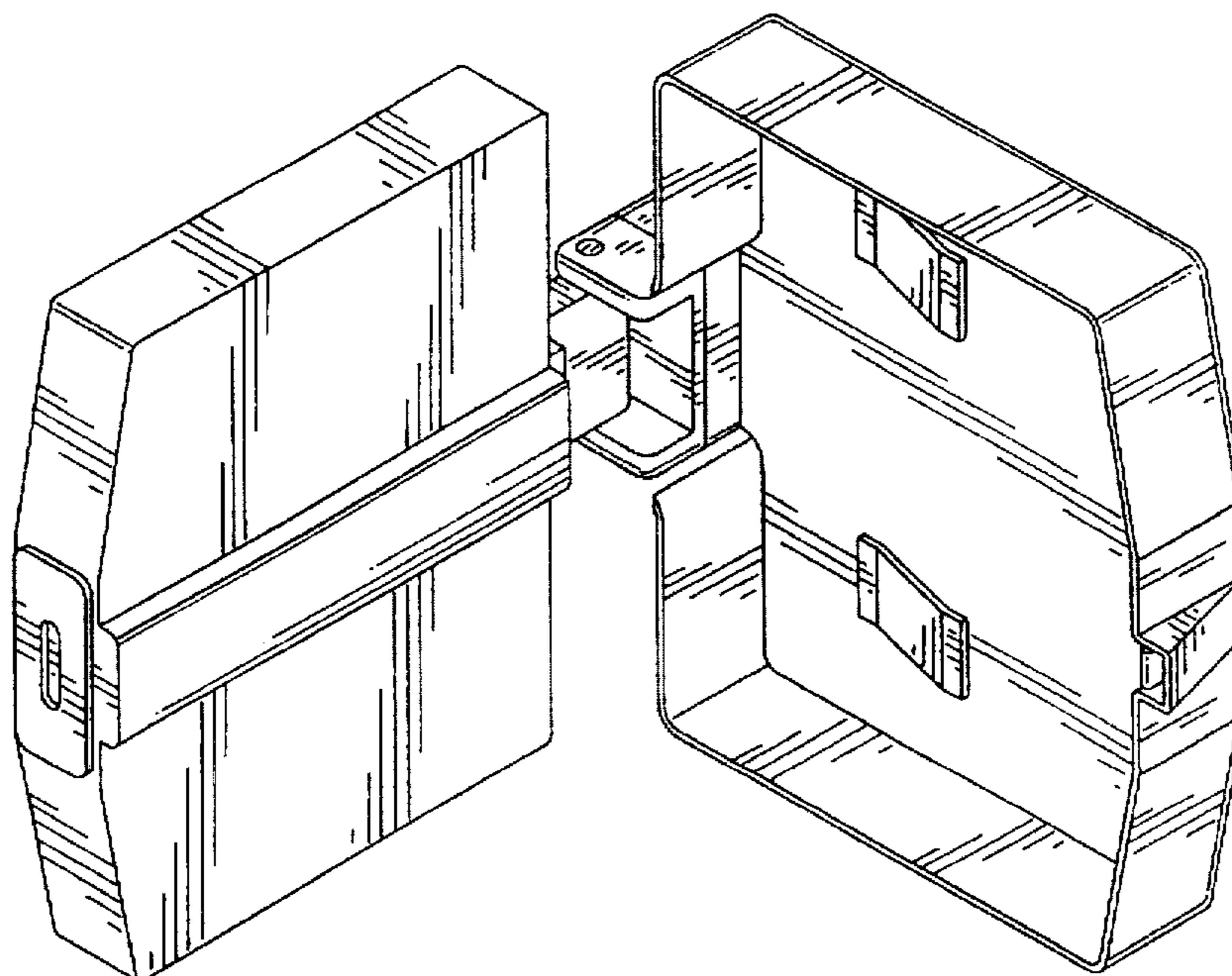
FIG. 10 is a left-side view of the wall-mounted monitor of FIG. 8;

FIG. 11 is a top view of the wall-mounted monitor of FIG. 8;

FIG. 12 is a bottom view of the wall-mounted monitor of FIG. 8; and,

FIG. 13 is a rear view of the wall-mounted monitor of FIG. 8.

1 Claim, 4 Drawing Sheets



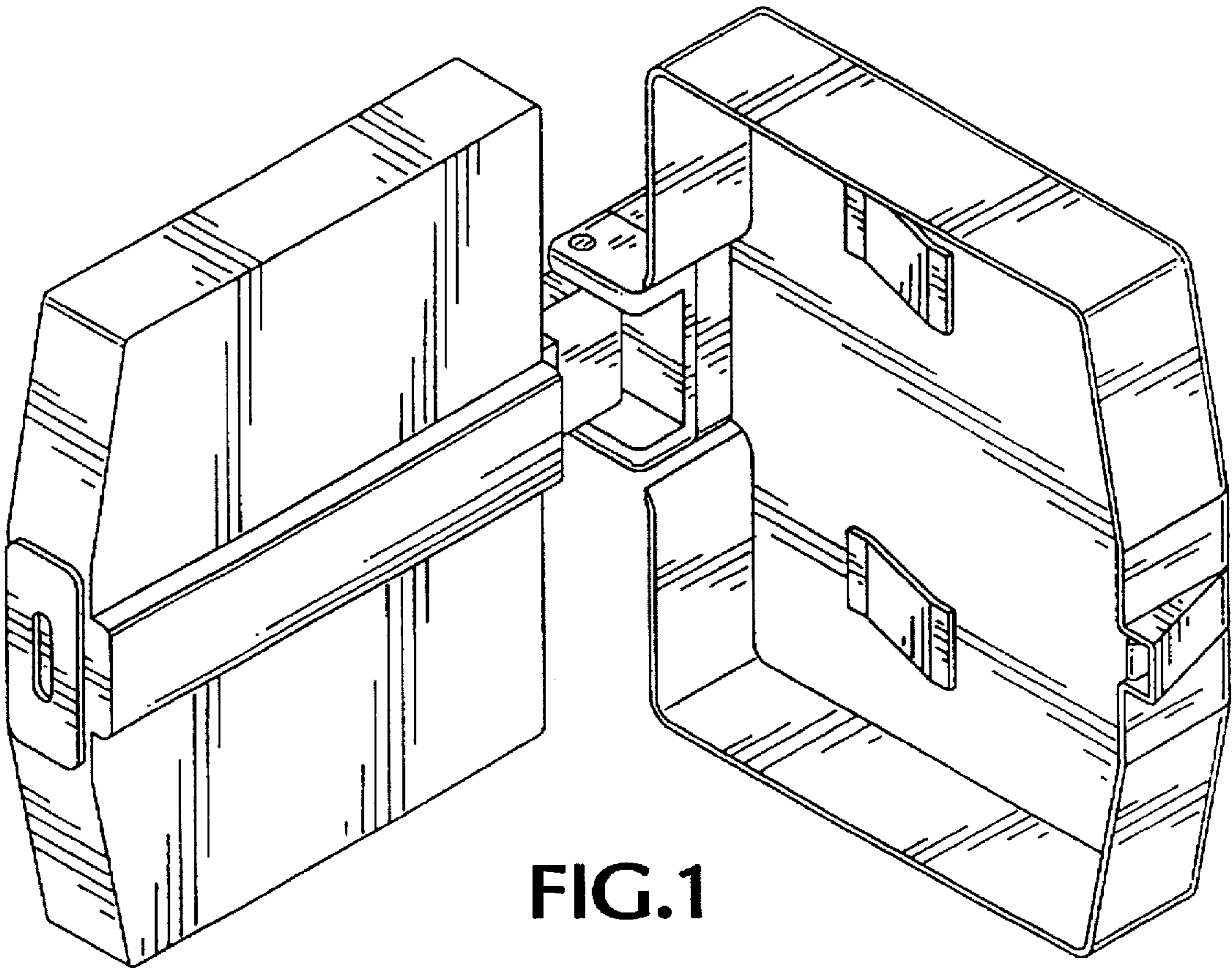


FIG. 1

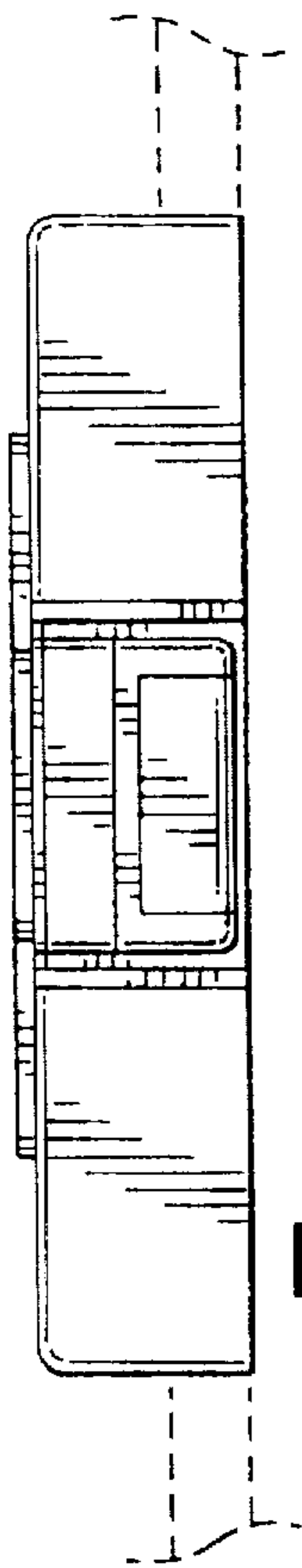


FIG.3

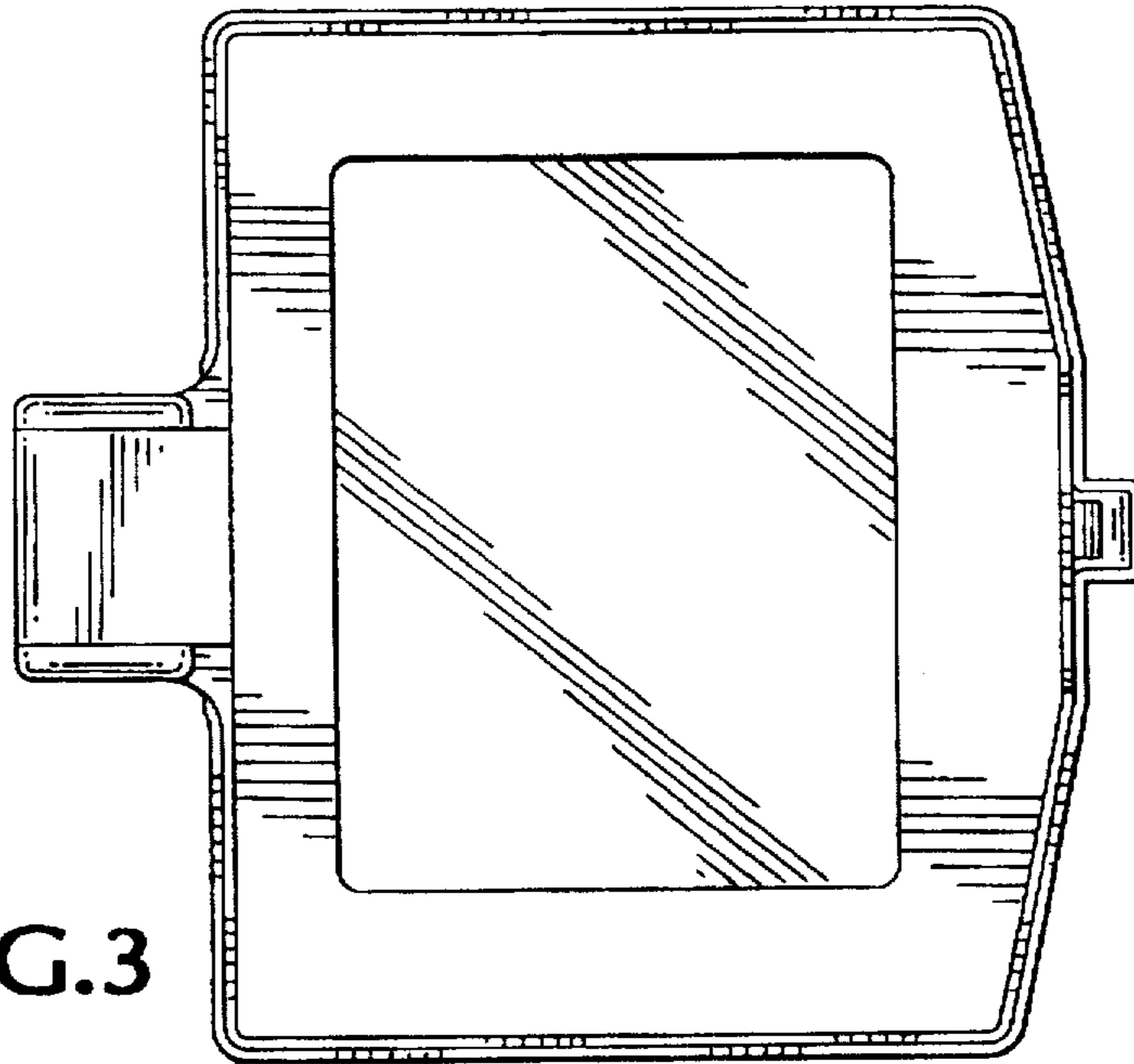


FIG.2

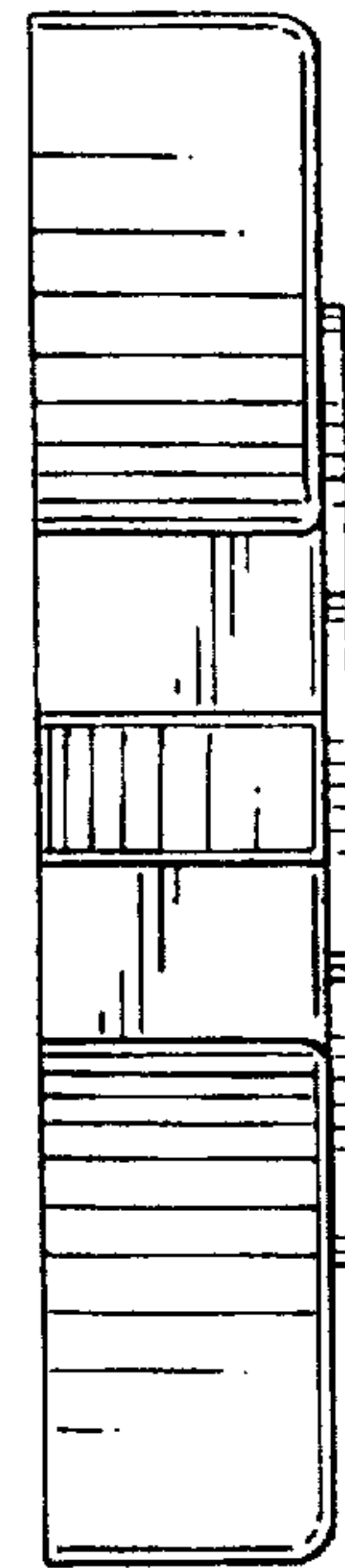


FIG.4

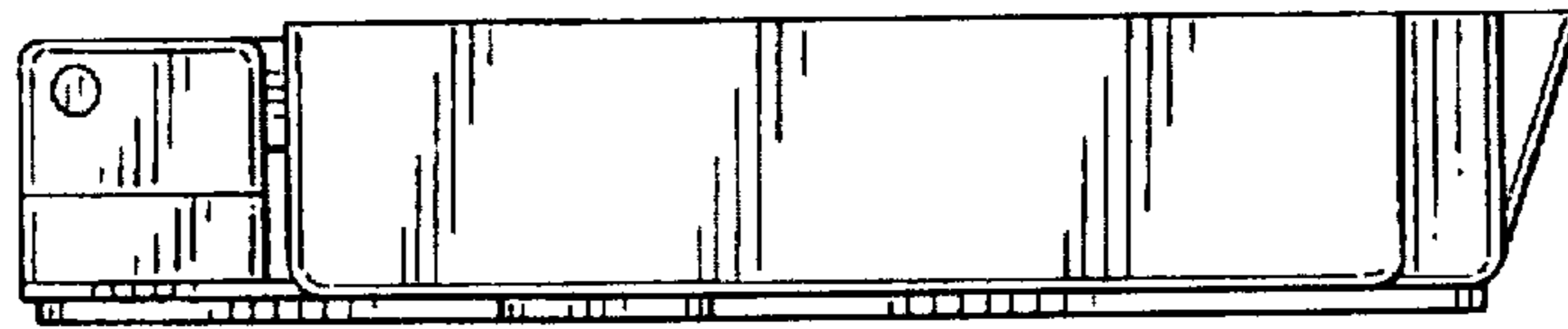


FIG.5

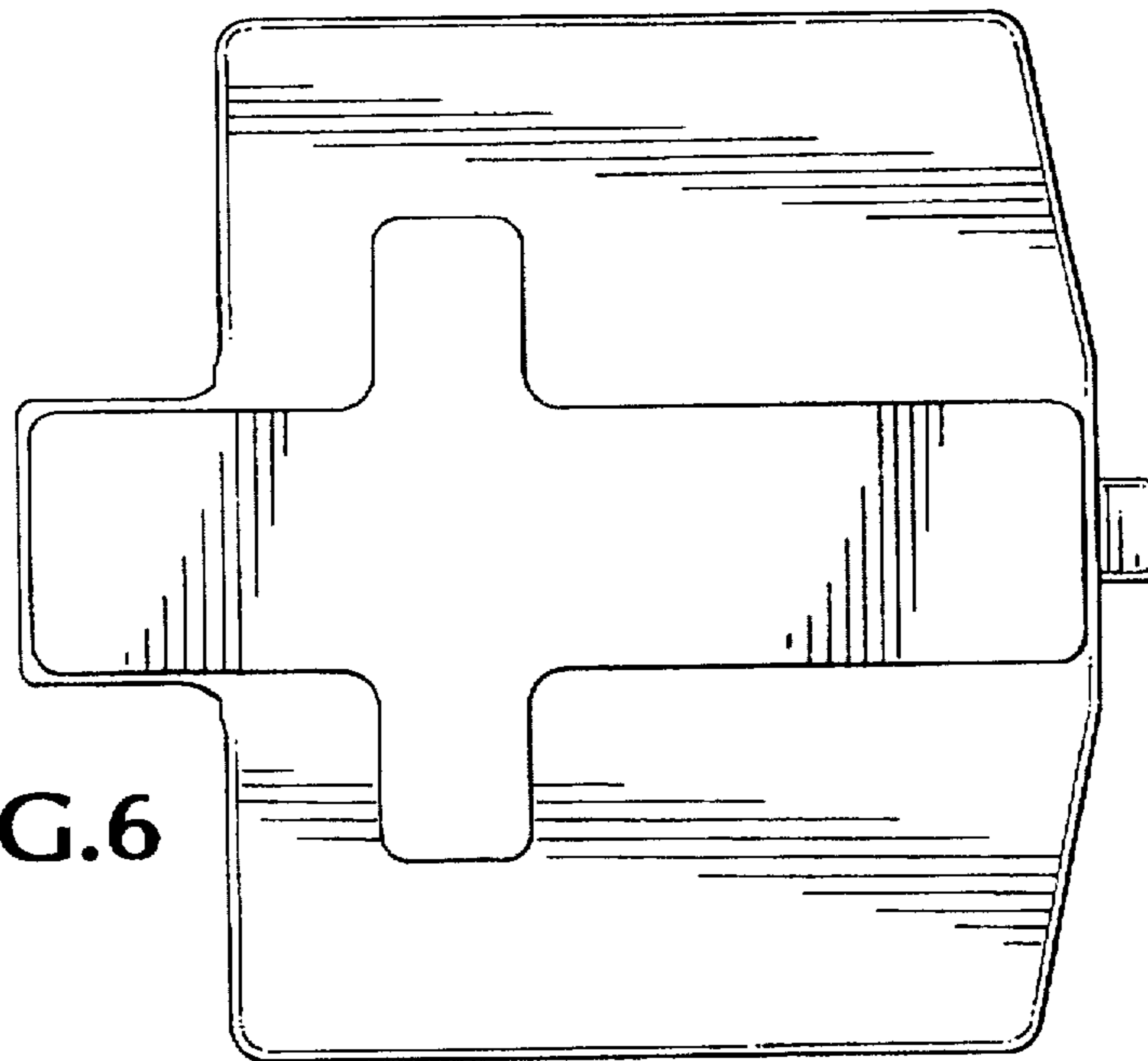


FIG.6

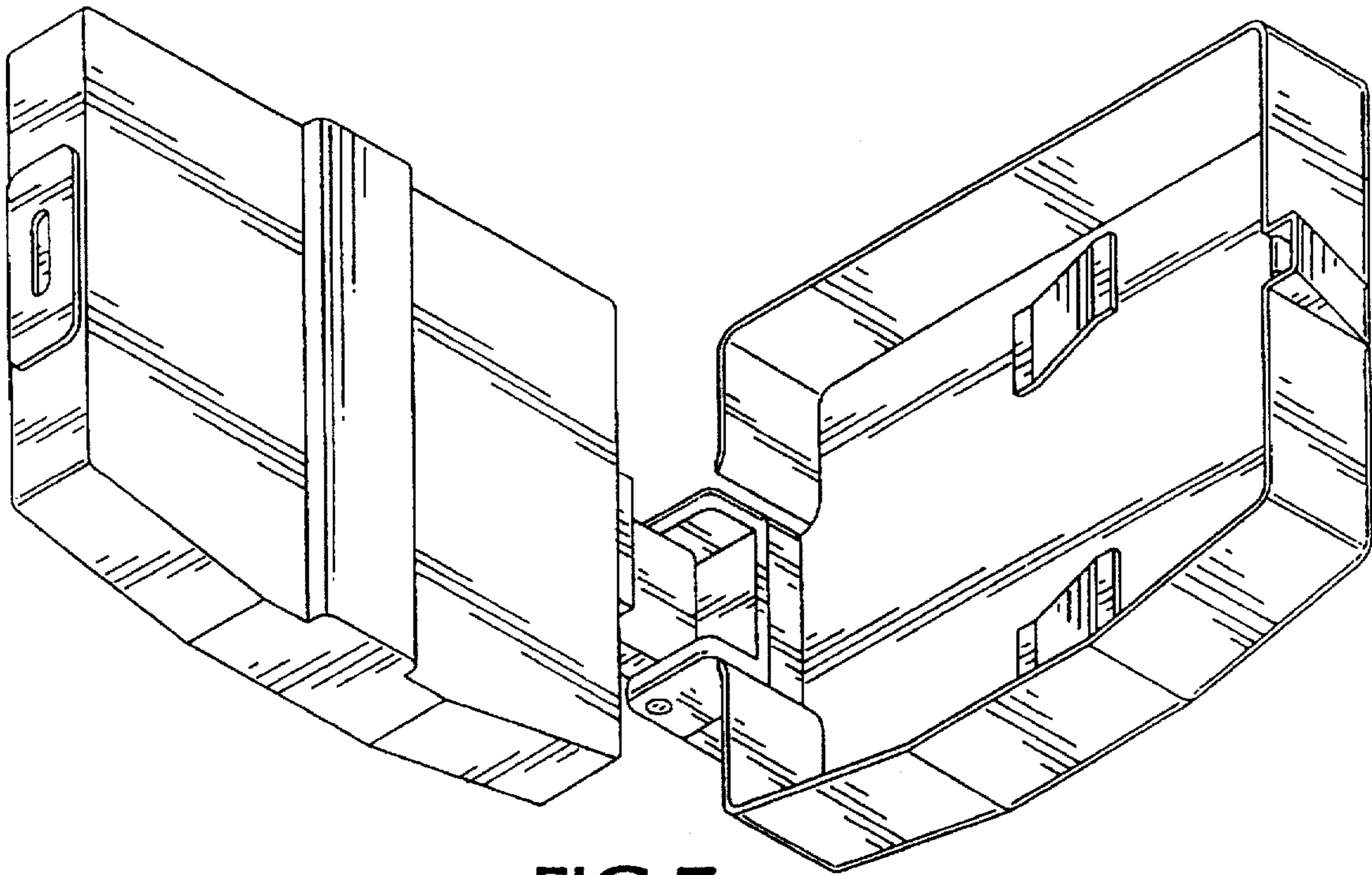


FIG.7

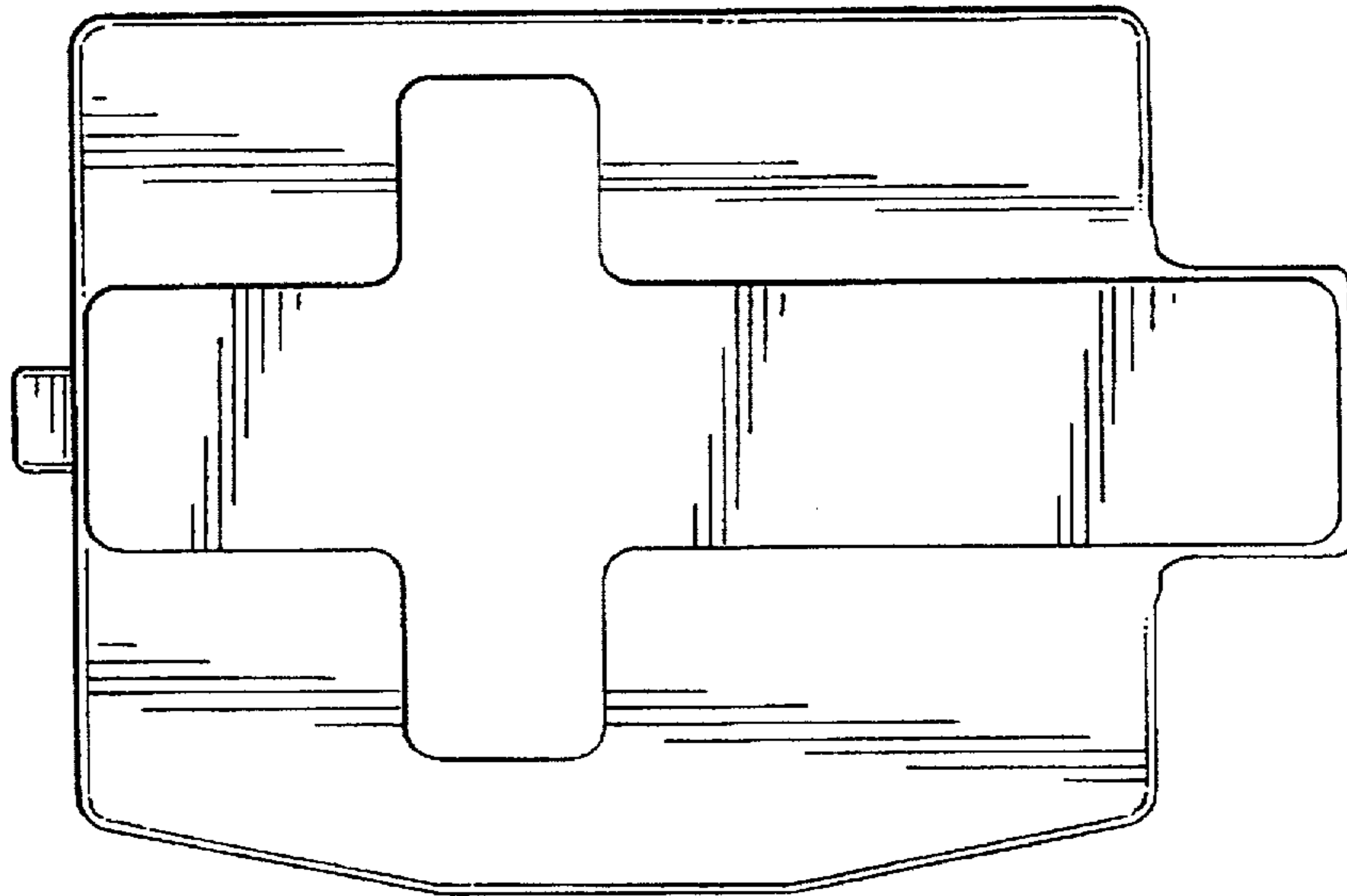


FIG.13

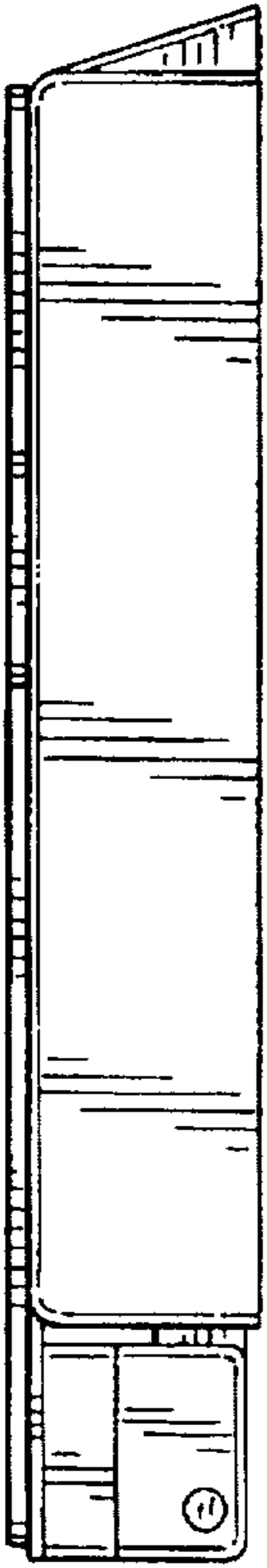


FIG. 11

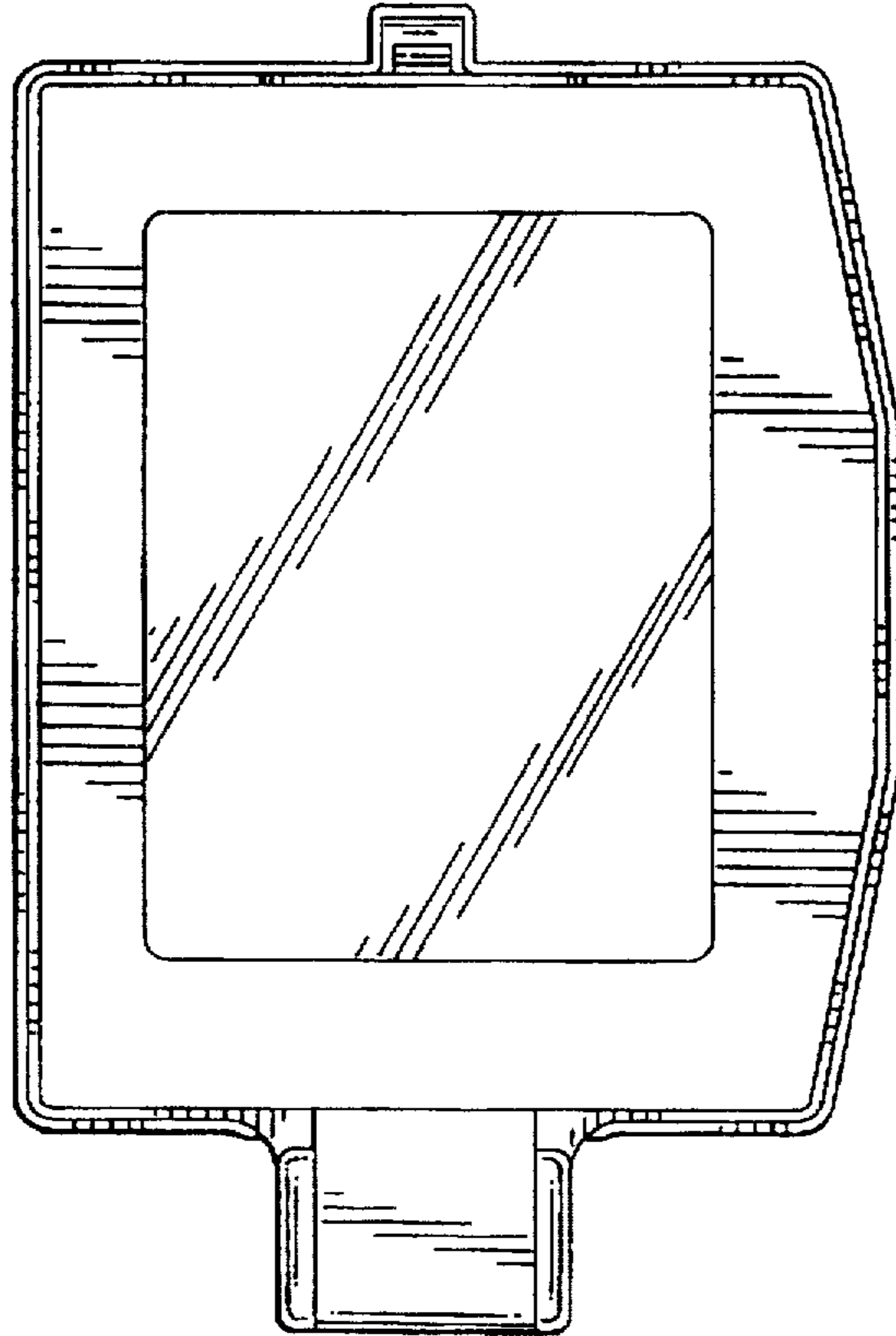


FIG. 8

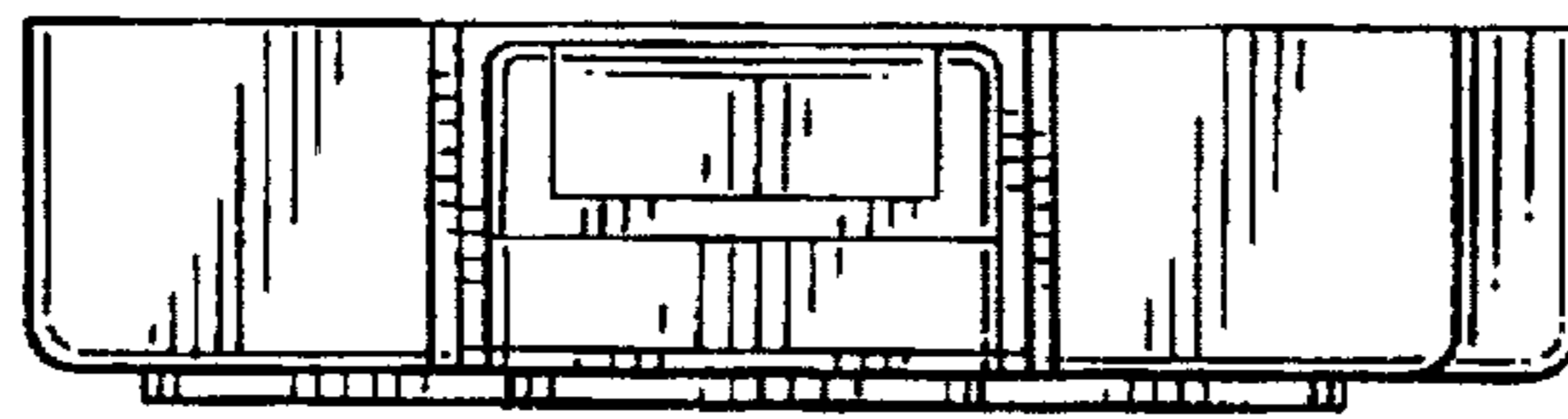


FIG. 10

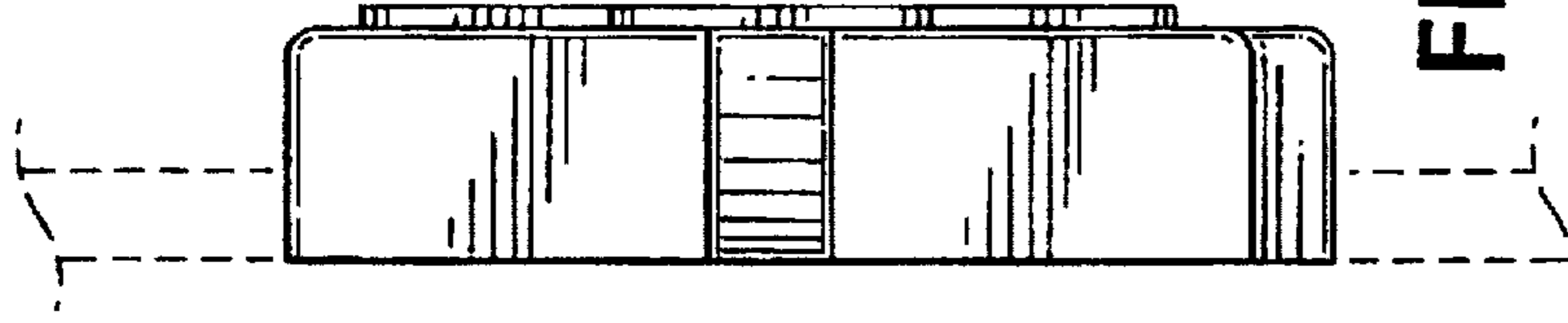


FIG. 9

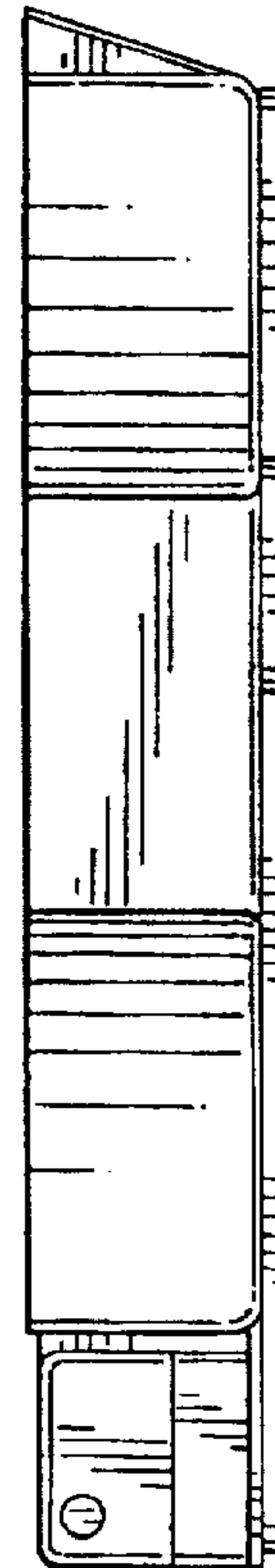


FIG. 12