



US00D390141S

# United States Patent [19]

[11] Patent Number: **Des. 390,141**

Jacquet et al.

[45] Date of Patent: **\*\*Feb. 3, 1998**

[54] **PRECISION WEIGHING SCALE**

*Attorney, Agent, or Firm*—Laubscher & Laubscher

[75] Inventors: **Remy Jacquet, Le Locle; Christophe Aebi; Yves Marmier**, both of La Chau-de-Fonds, all of Switzerland

[57] **CLAIM**

The ornamental design for a precision weighing scale, as shown.

[73] Assignee: **Mottler-Toledo GmbH**, Greifensee, Switzerland

**DESCRIPTION**

[\*\*] Term: **14 Years**

FIG. 1 is a front perspective view of the precision weighing scale;

[21] Appl. No.: **65,272**

FIG. 2 is a rear perspective view of the precision weighing scale;

[22] Filed: **Jan. 30, 1997**

FIG. 3 is a top plan view of the precision weighing scale;

[51] LOC (6) Cl. .... **10-04**

FIG. 4 is a bottom view of the precision weighing scale;

[52] U.S. Cl. .... **D10/91**

FIG. 5 is a left side elevational view of the precision weighing scale;

[58] Field of Search ..... D10/91; 177/25.11-25.19, 177/238-243; 364/464.02, 464.03

FIG. 6 is a right side elevational view of the precision weighing scale;

[56] **References Cited**

FIG. 7 is a front elevational view of the precision weighing scale;

**U.S. PATENT DOCUMENTS**

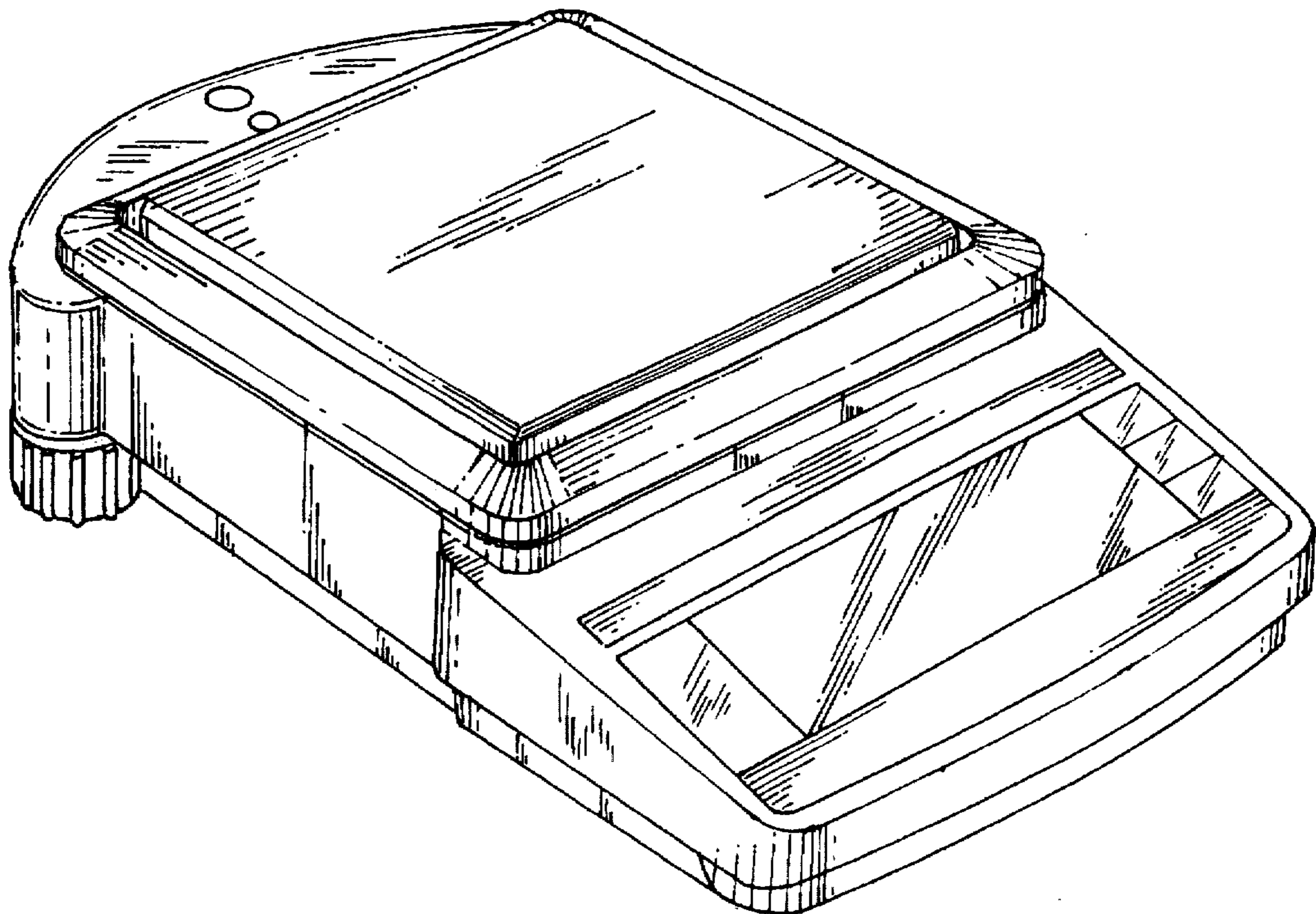
FIG. 8 is a rear elevational view of the precision weighing scale; and,

D. 339,538	9/1993	Fellmann	.....	D10/91
D. 354,450	1/1995	Jacquet et al.	.	
D. 367,237	2/1996	Brooks, Jr.	.....	D10/91
4,676,327	6/1987	Luechinger	.	

FIG. 9 is a front perspective view of the weighing scale with the front drawer of the precision weighing scale in the open position.

*Primary Examiner*—Antoine Duval Davis

**1 Claim, 5 Drawing Sheets**



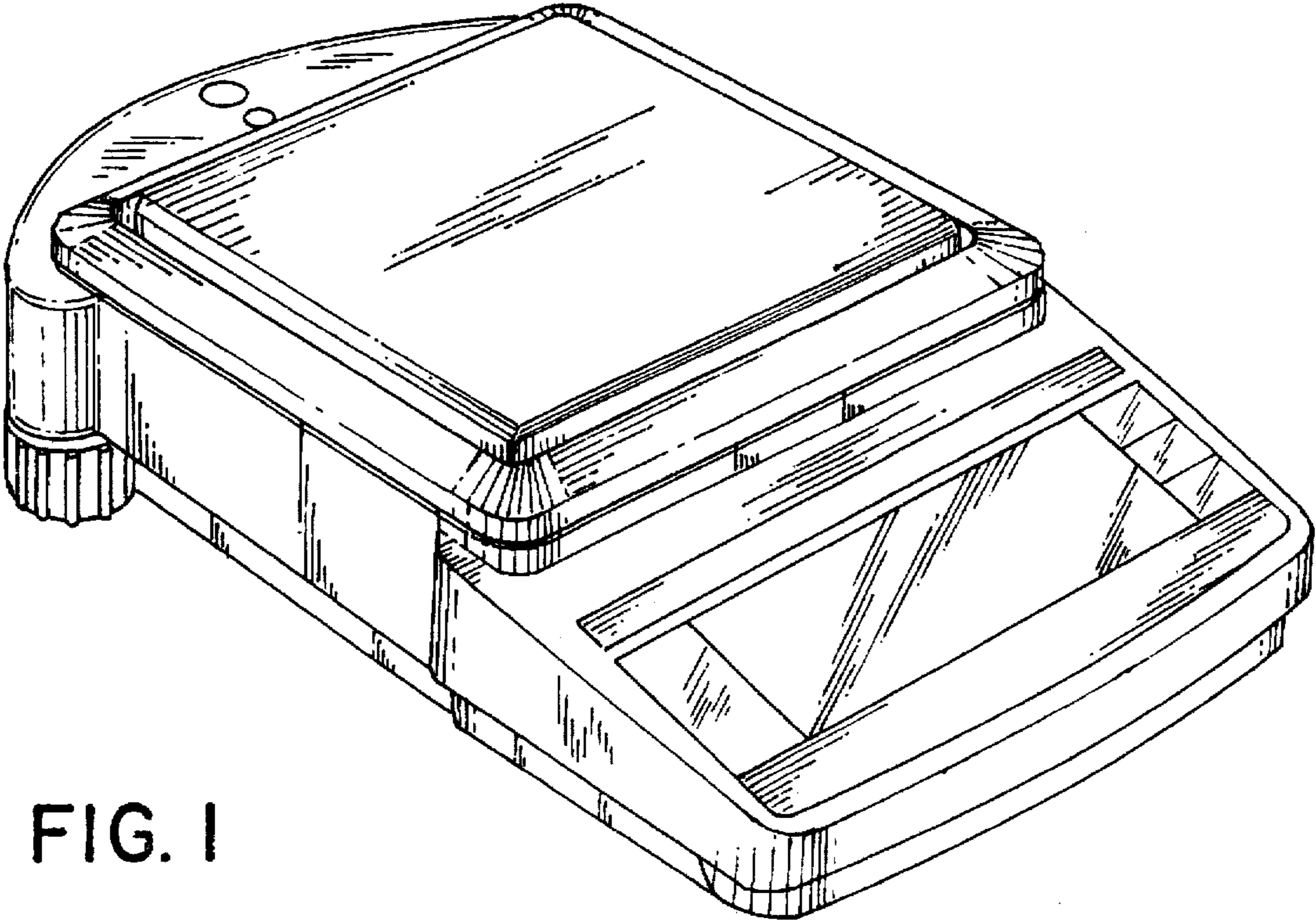


FIG. 1

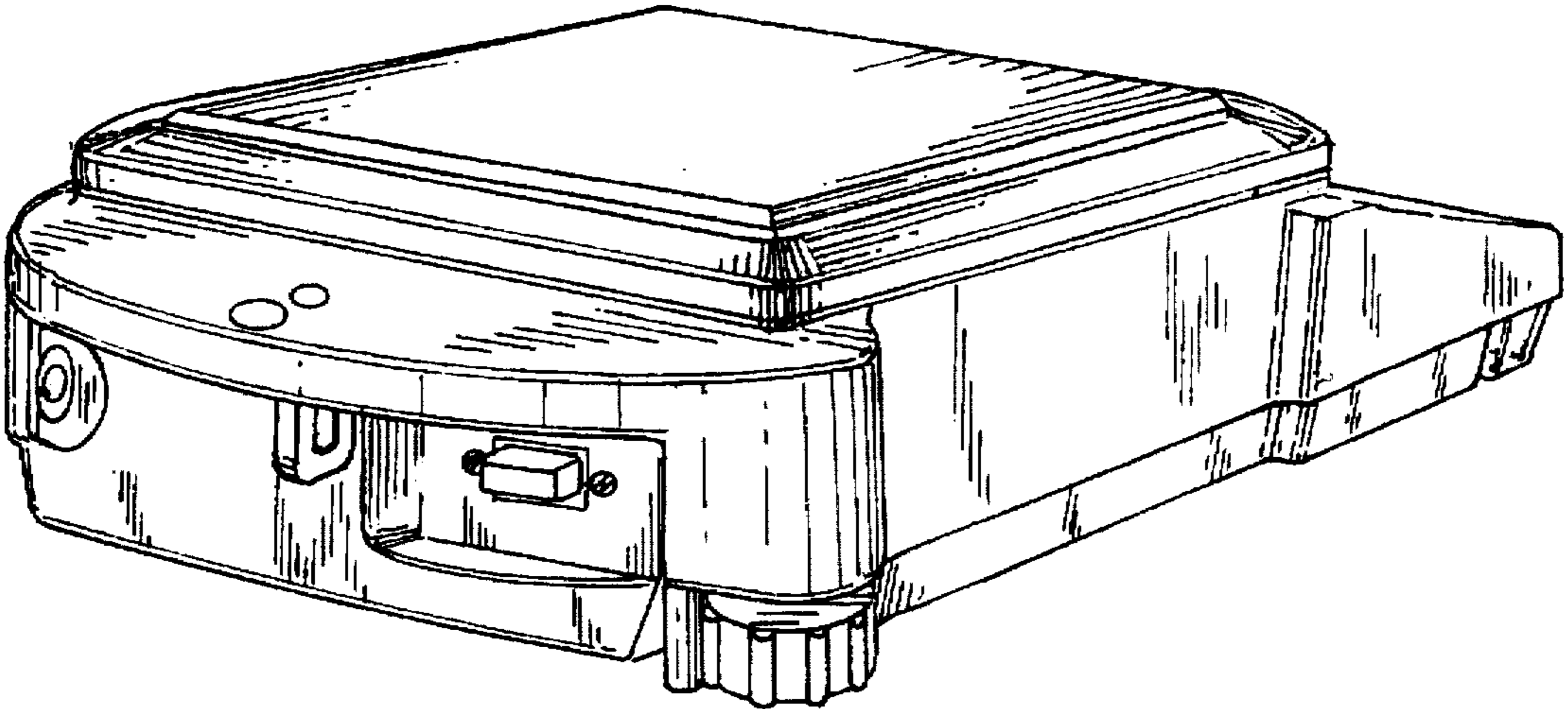


FIG. 2

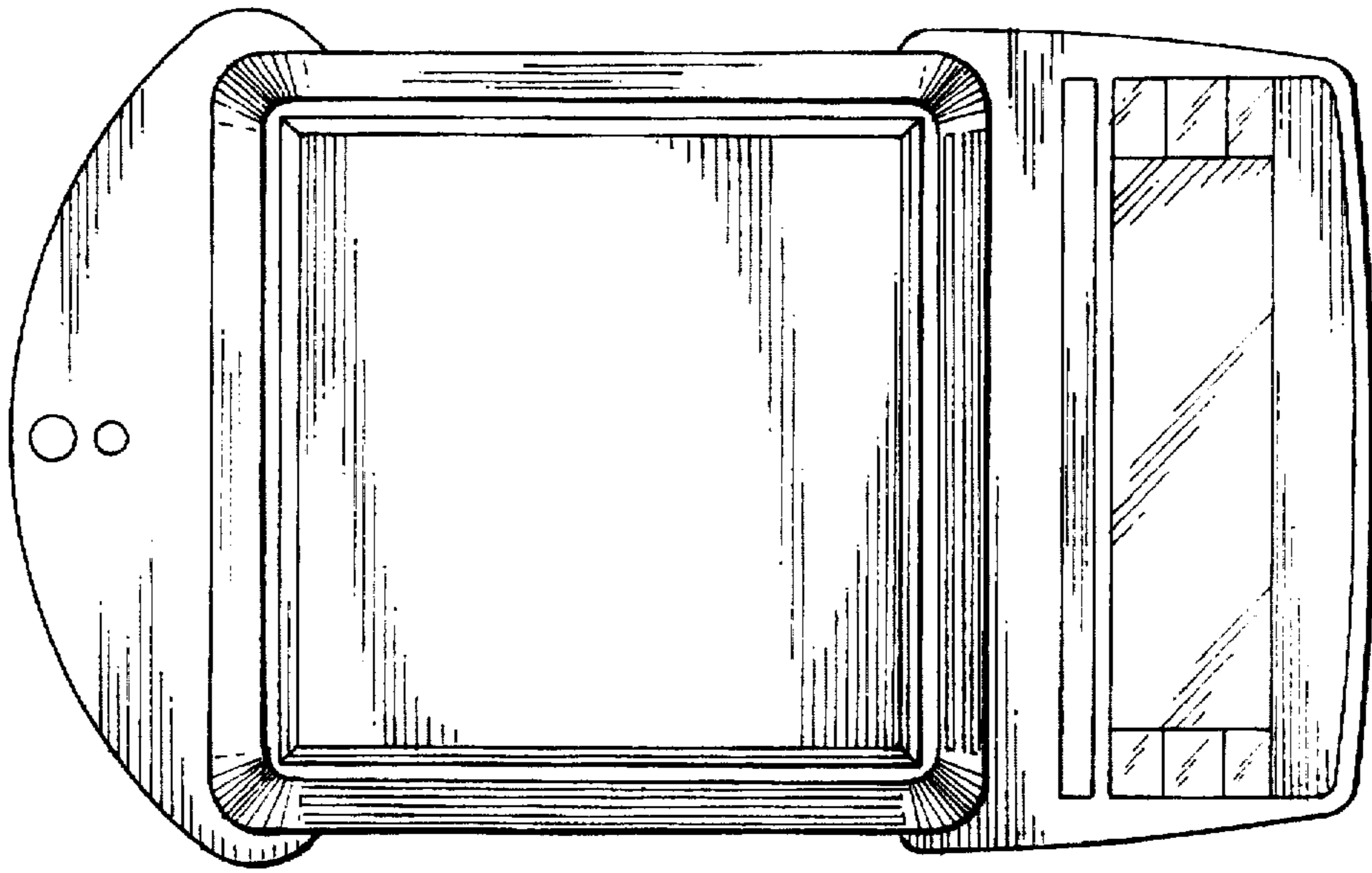


FIG. 3

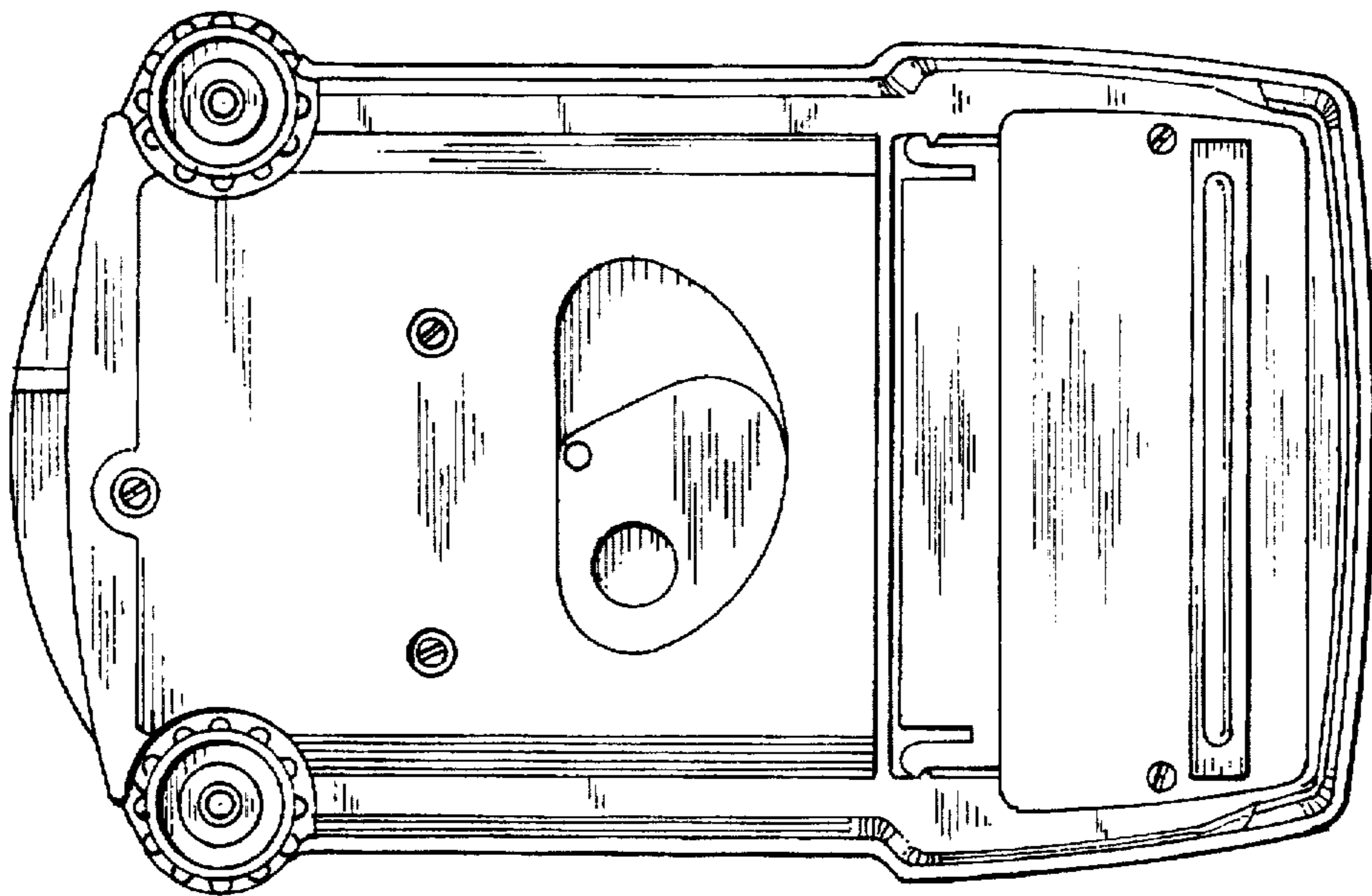


FIG. 4

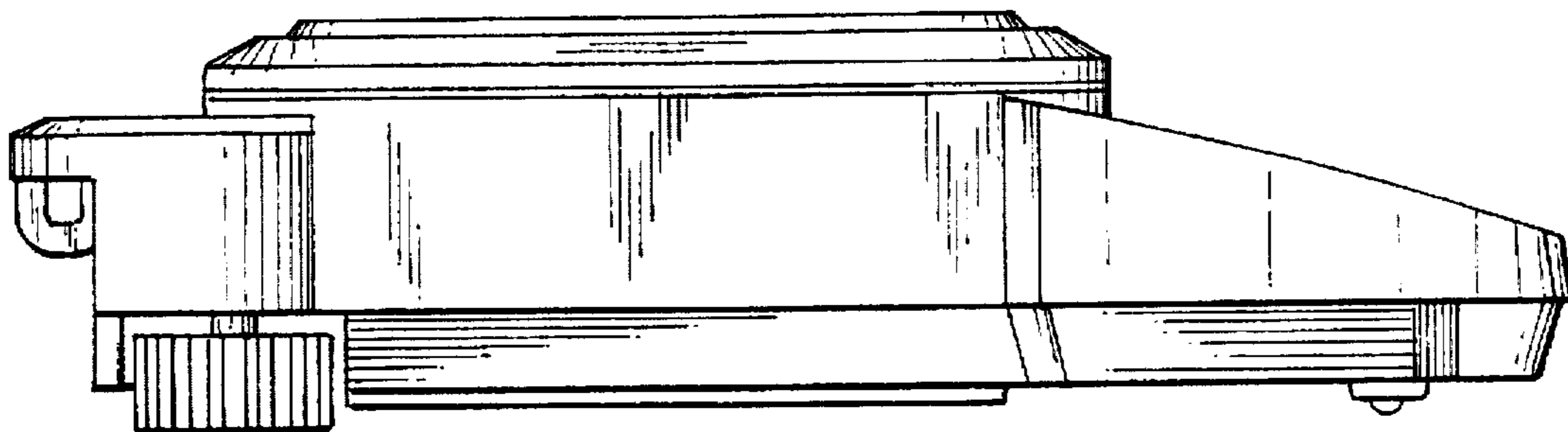


FIG. 5

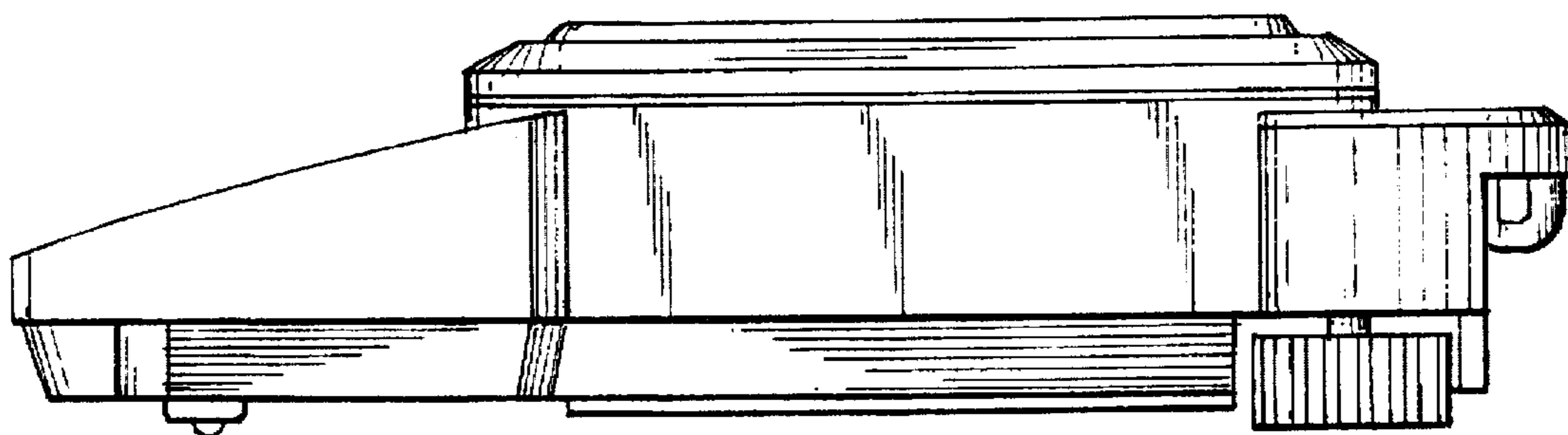


FIG. 6

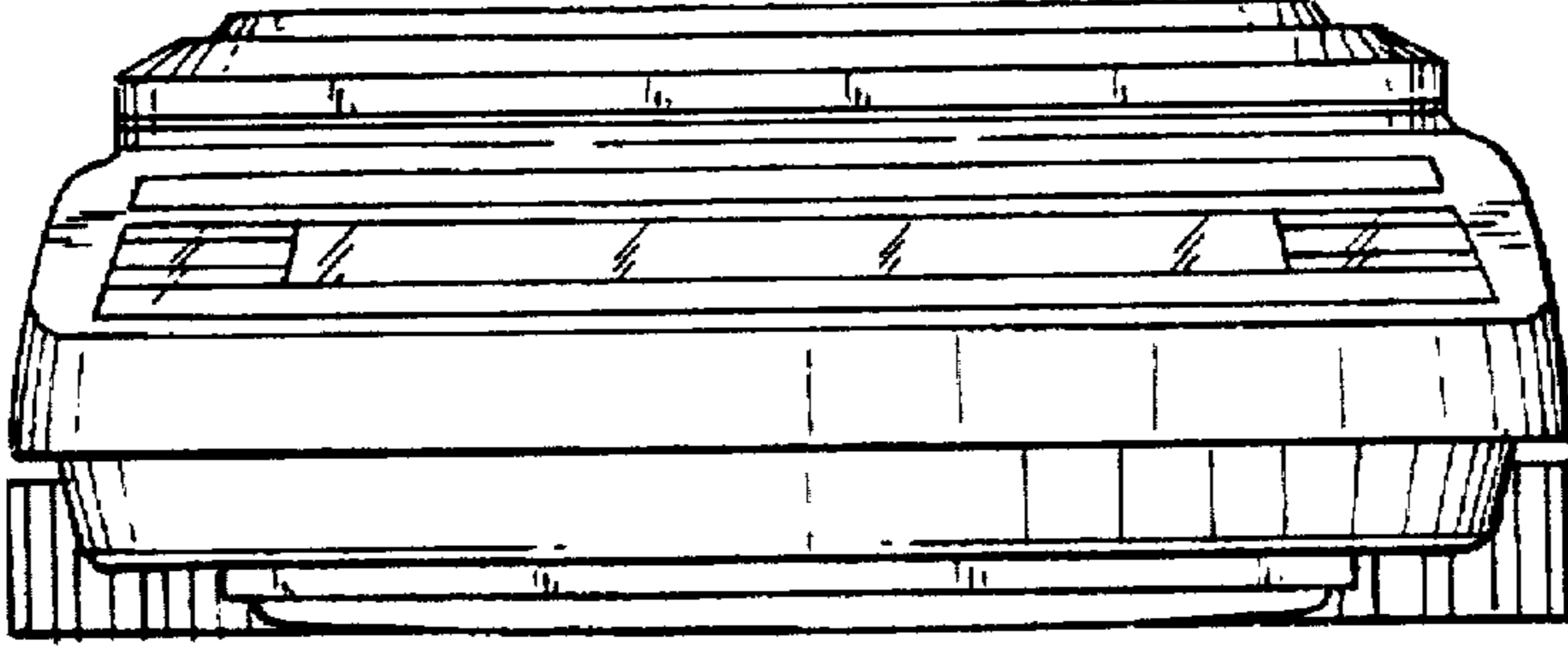


FIG. 7

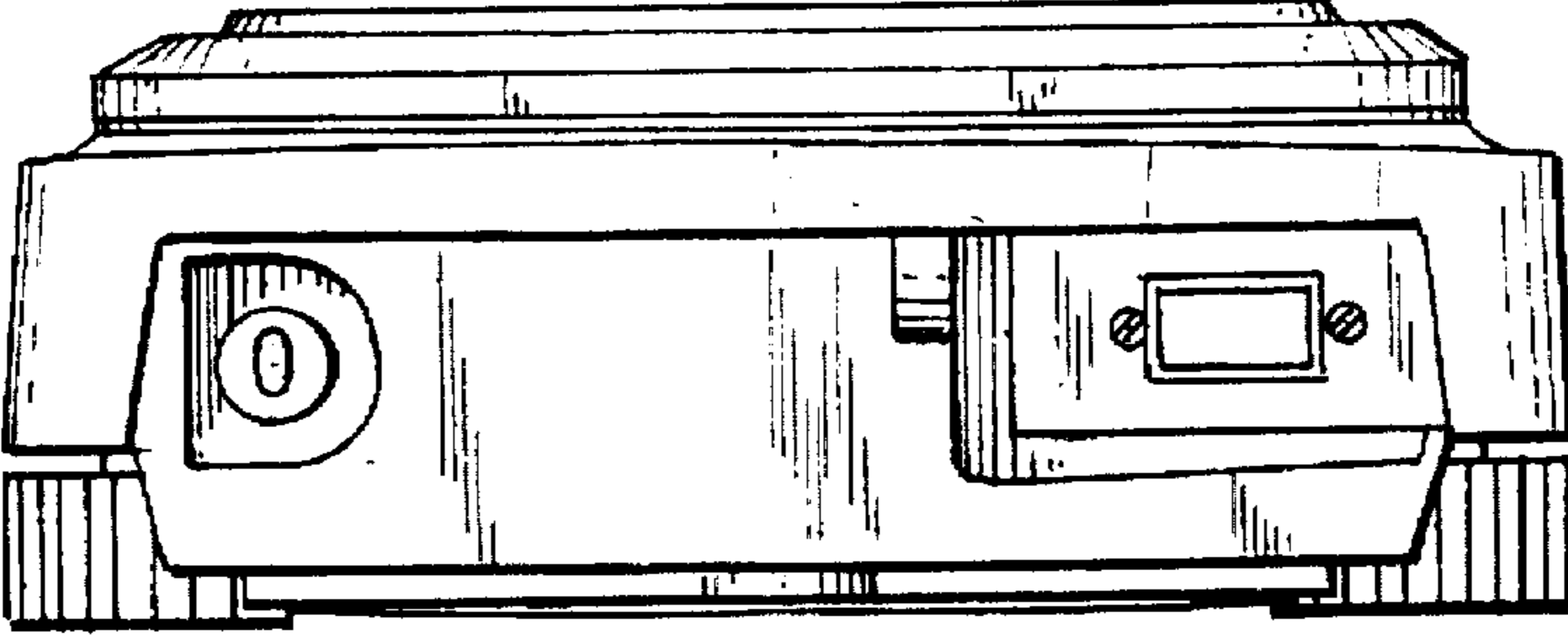


FIG. 8

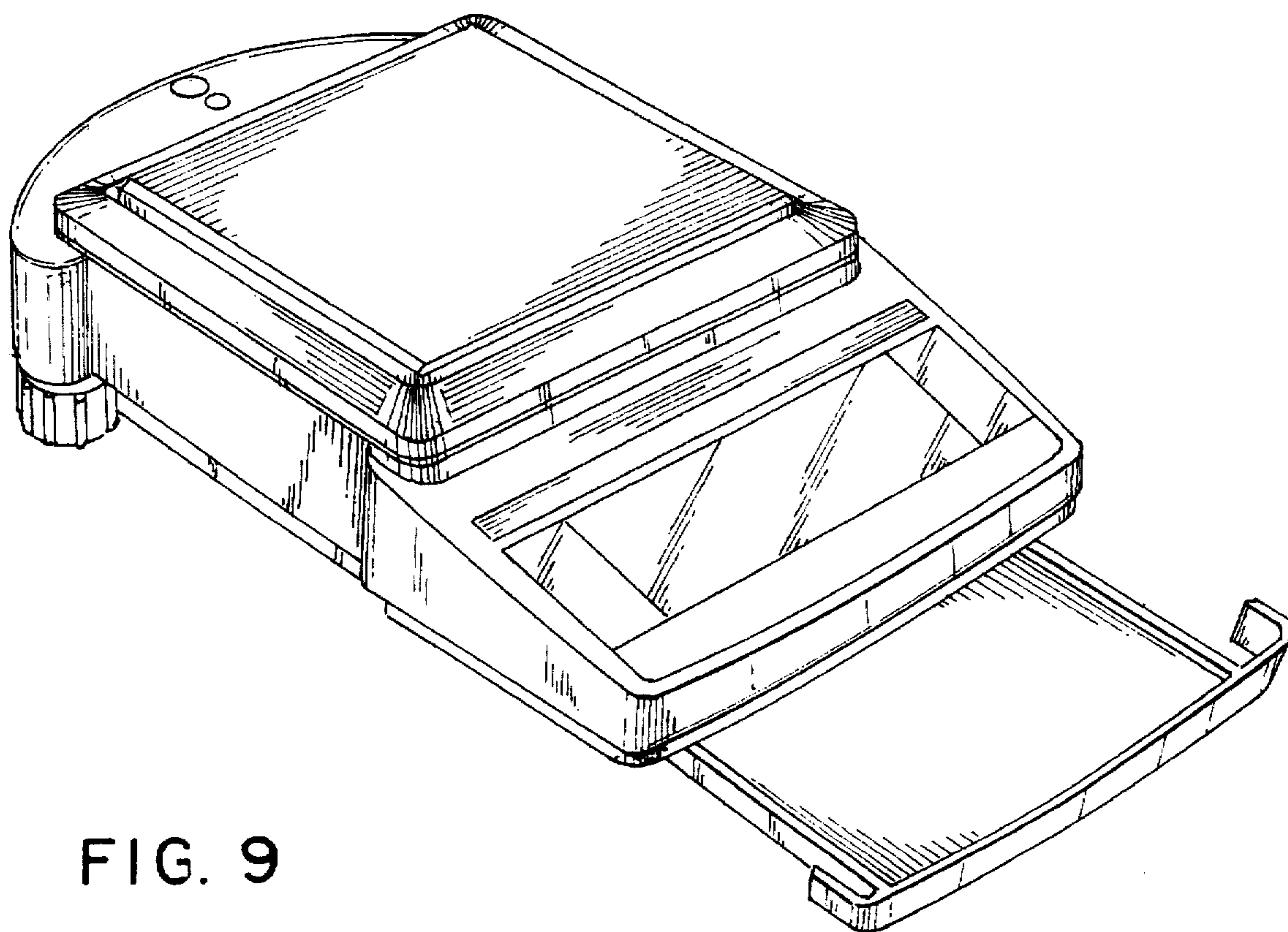


FIG. 9

UNITED STATES PATENT AND TRADEMARK OFFICE  
CERTIFICATE OF CORRECTION

PATENT NO. : Des. 390,141

DATED : 02/03/1998

INVENTOR(S) : JACQUET, et al.

It is certified that error appears in the above-identified patent and that said Letters Patent is hereby corrected as shown below:

On the title page, Items [75] & [73],

In the heading, the patentee requests that the address of the inventors appear as:

-- La Chaux-de-Fonds --

and that the assignee appear as:

-- Mettler-Toledo GmbH --

Signed and Sealed this  
Nineteenth Day of May, 1998

Attest:



BRUCE LEHMAN

Attesting Officer

Commissioner of Patents and Trademarks