



US00D390139S

# United States Patent [19]

**Tomiyama et al.**

[11] **Patent Number: Des. 390,139**

[45] **Date of Patent: \*\*Feb. 3, 1998**

[54] **DIGITAL MULTI-METER**

5,442,337 8/1995 Hwang ..... 340/635  
5,619,129 4/1997 Kamiya ..... 324/115

[75] **Inventors: Hideki Tomiyama; Seiji Onuma, both of Ueda, Japan**

*Primary Examiner*—Antoine Duval Davis  
*Attorney, Agent, or Firm*—Kanesaka & Takeuchi

[73] **Assignee: Hioki Denki Kabushiki Kaisha, Ueda, Japan**

### [57] CLAIM

[\*\*] **Term: 14 Years**

The ornamental design for a digital multi-meter, as shown and described.

[21] **Appl. No.: 67,665**

### DESCRIPTION

[22] **Filed: Mar. 6, 1997**

FIG. 1 is a front perspective view of a digital multi-meter showing our new design;

[30] **Foreign Application Priority Data**

Jan. 20, 1997 [KR] Rep. of Korea ..... 9-1123

FIG. 2 is a rear perspective view thereof;

[51] **LOC (6) Cl. .... 10-04**

FIG. 3 is a front view thereof;

[52] **U.S. Cl. .... D10/78**

FIG. 4 is a rear view thereof;

[58] **Field of Search ..... D10/78; 324/110, 324/115; 340/639, 686, 687, 693**

FIG. 5 is a top plan view thereof;

FIG. 6 is a bottom view thereof;

FIG. 7 is a left side view thereof;

FIG. 8 is a right side view thereof; and,

FIG. 9 is a front view with the liquidf crystal display being on.

[56] **References Cited**

The broken line showing are for illustrative purposes only and forms no part of the claimed design.

#### U.S. PATENT DOCUMENTS

D. 358,348 5/1995 Burgess ..... D10/78

**1 Claim, 5 Drawing Sheets**

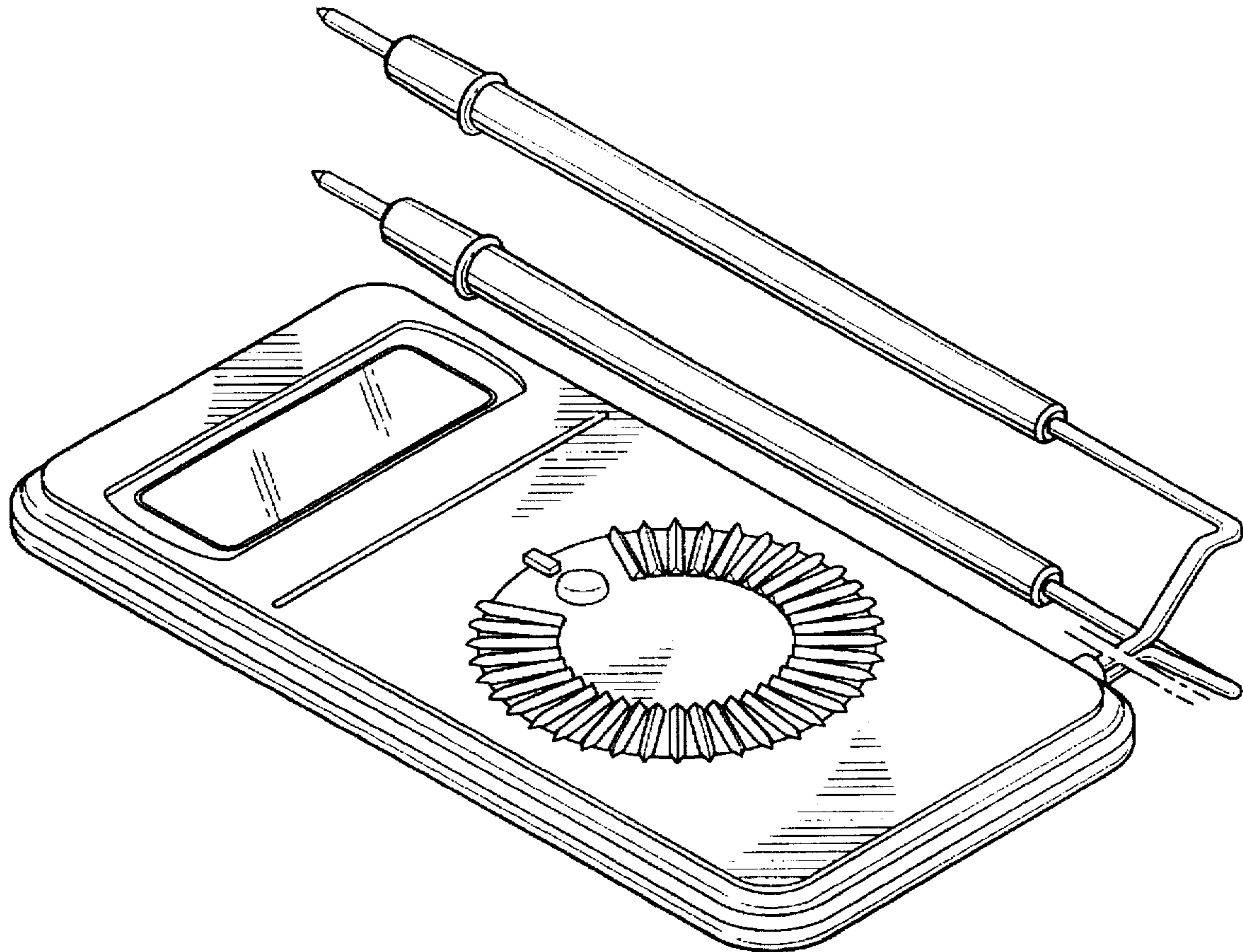


FIG. 1

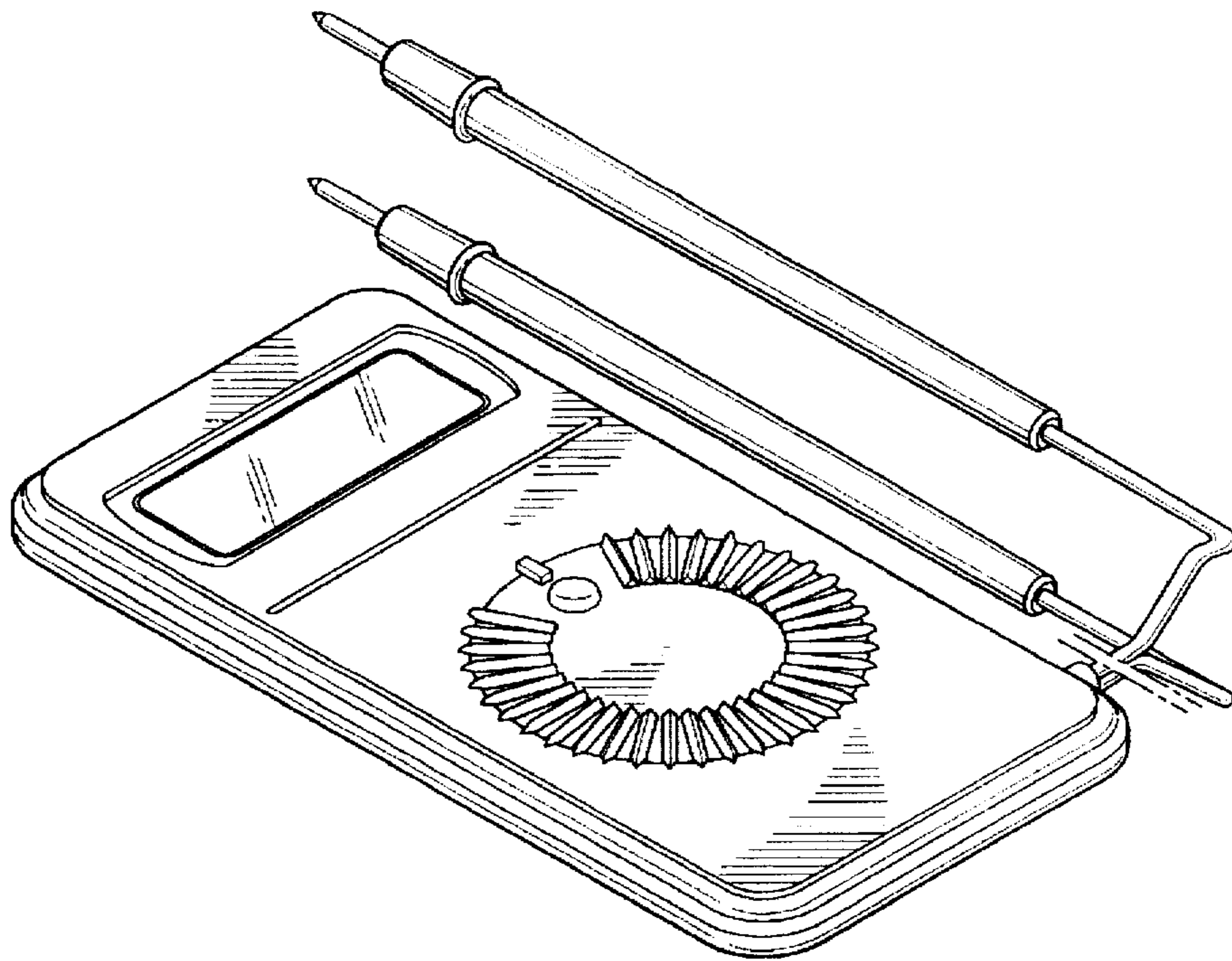


FIG. 2

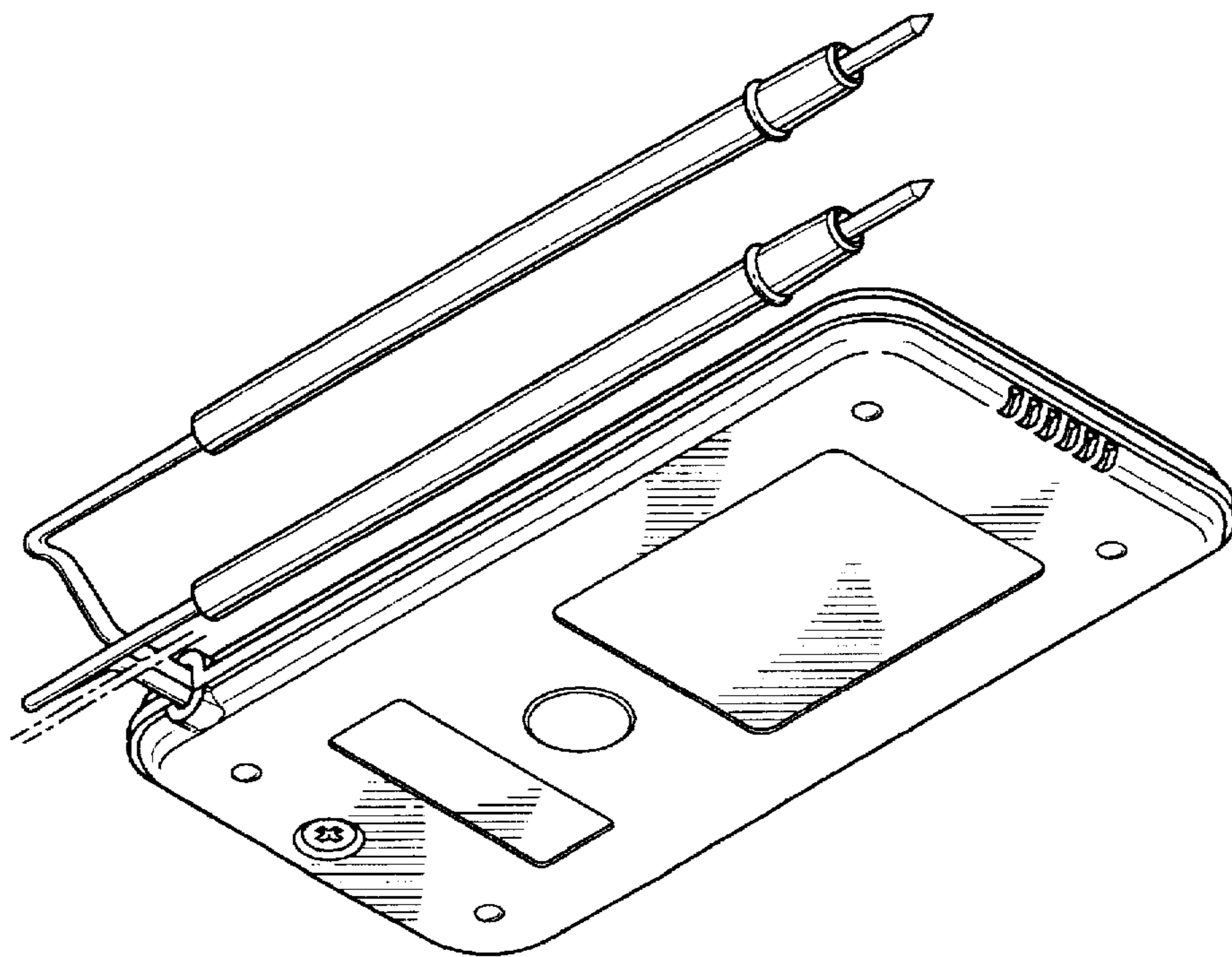
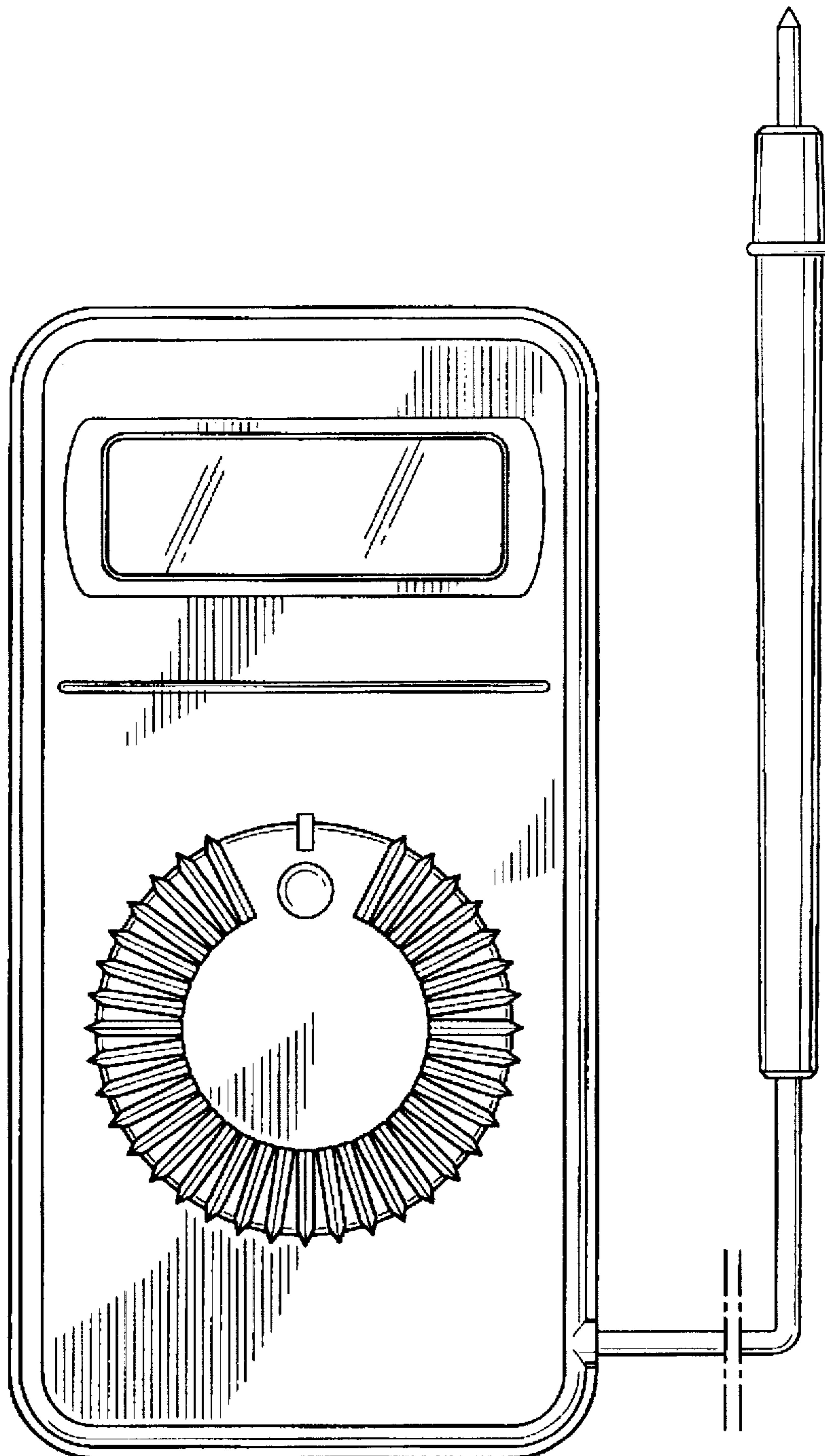


FIG. 3



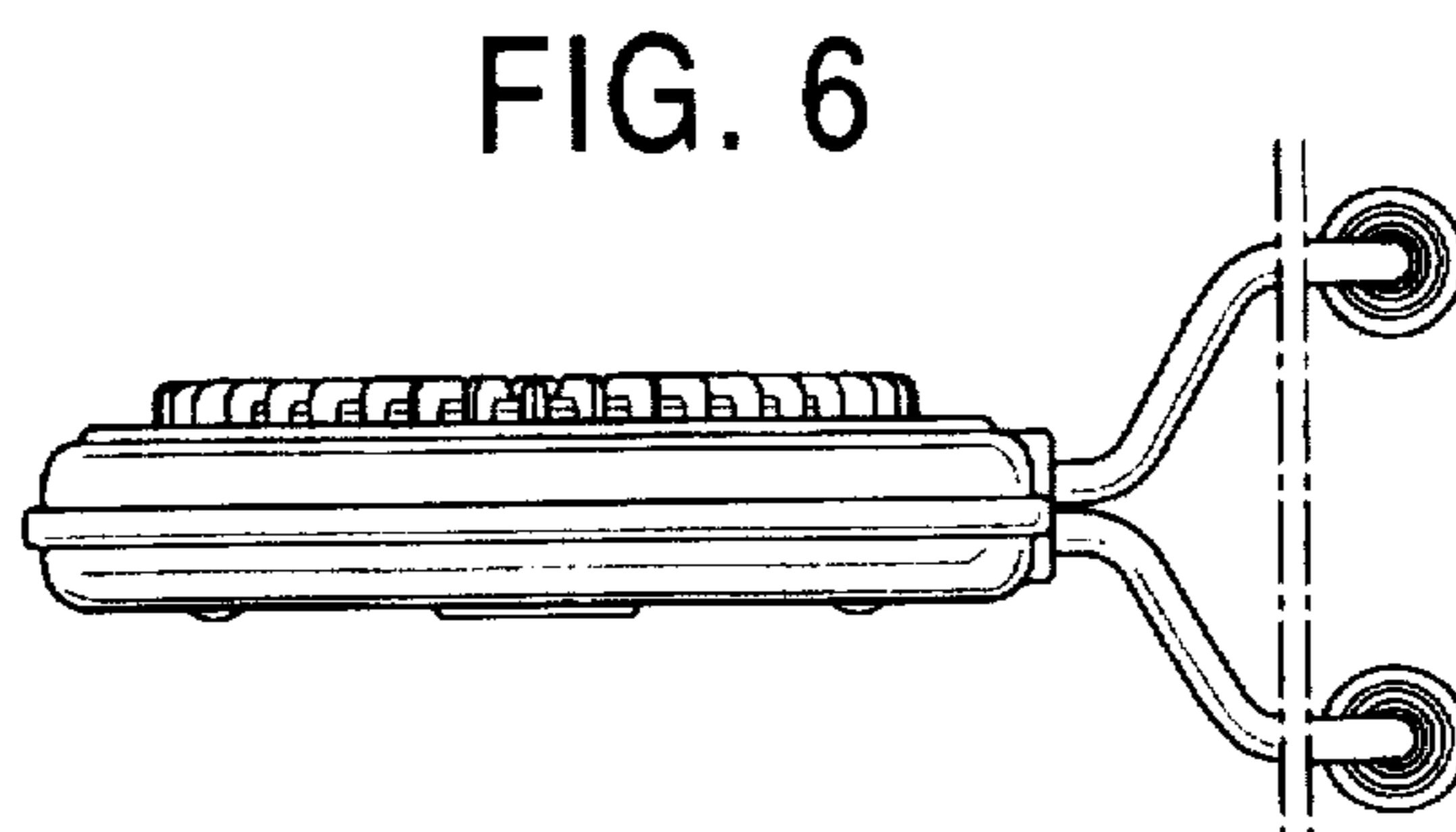
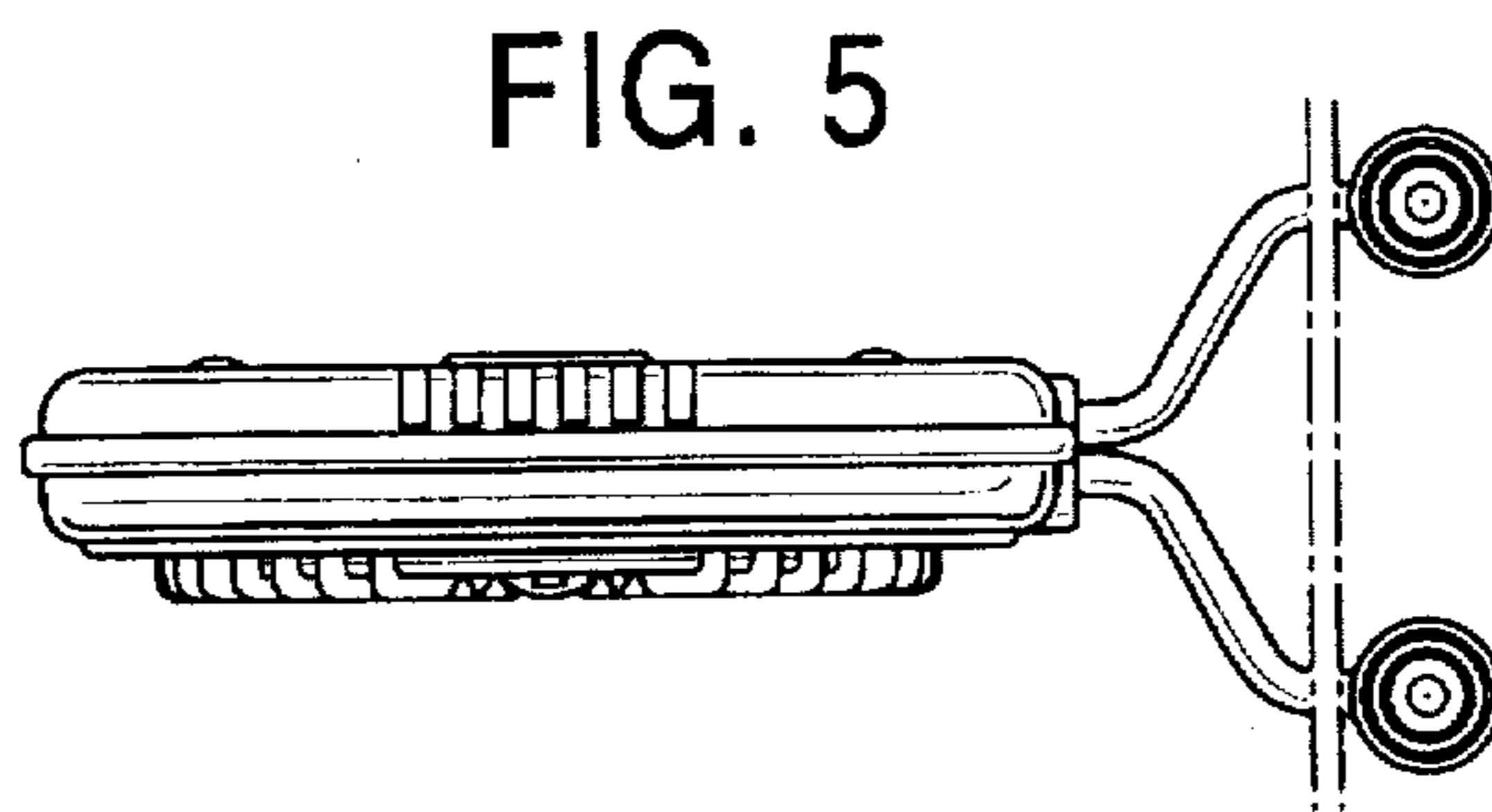
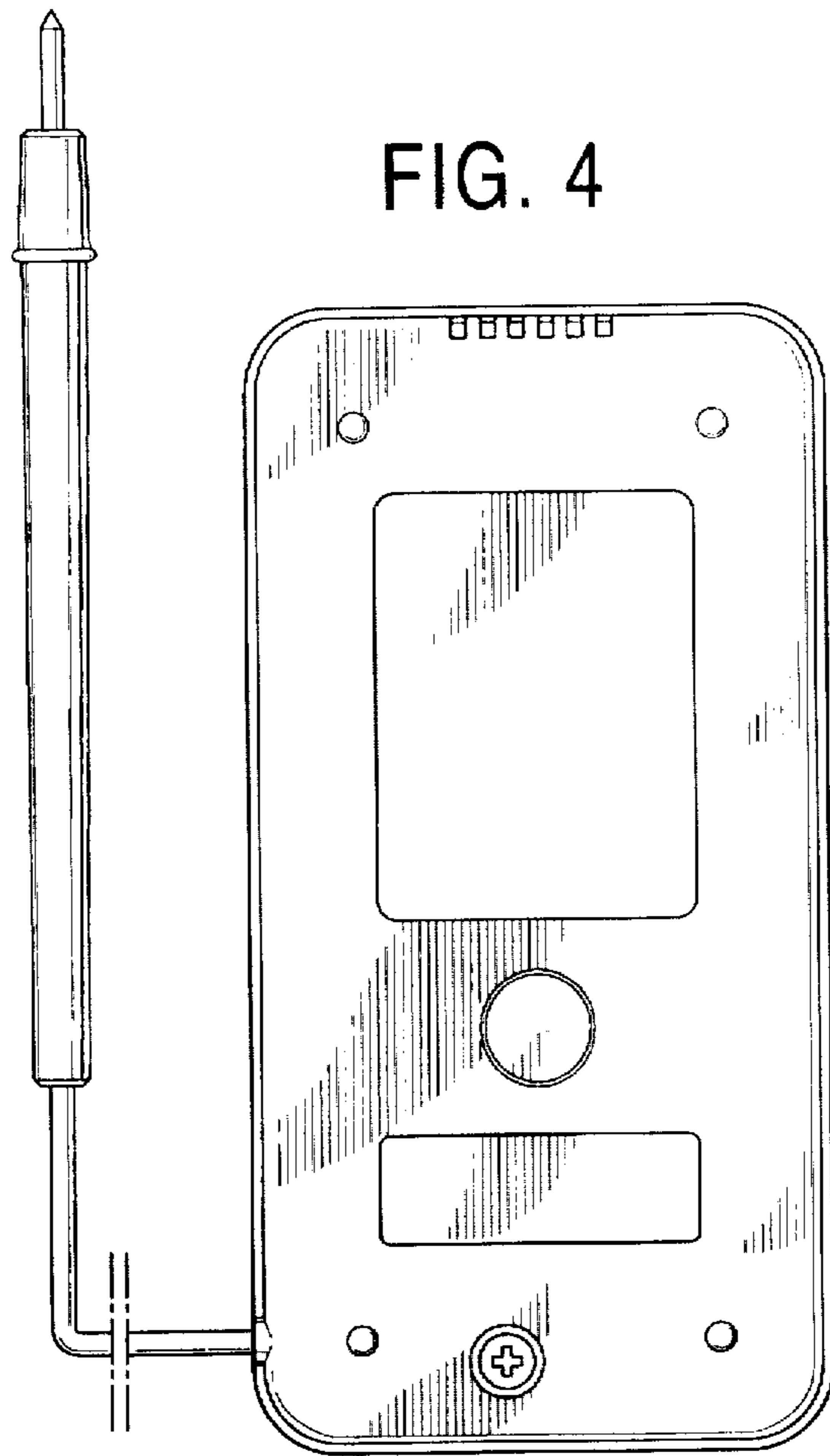


FIG. 7

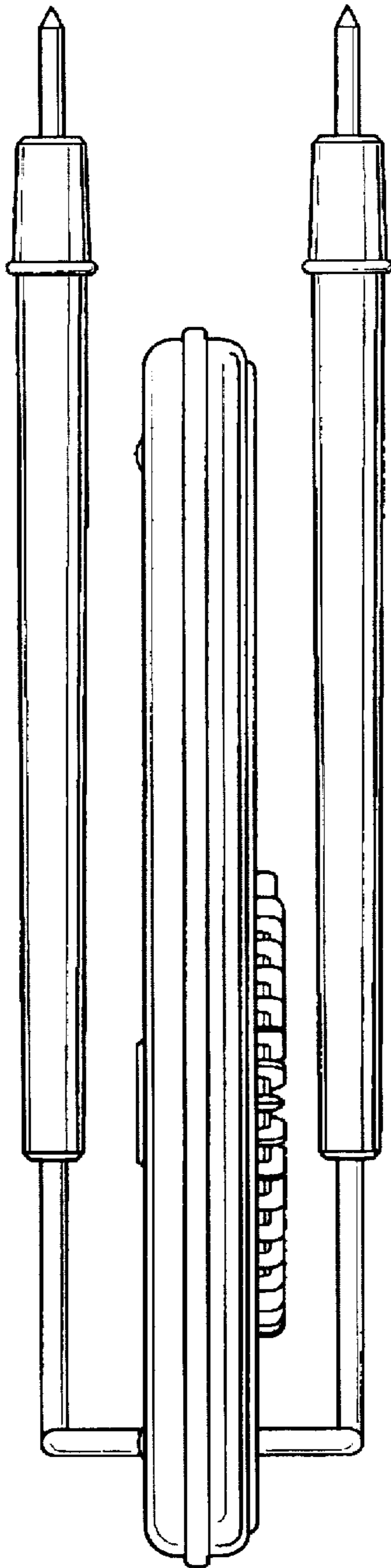


FIG. 8

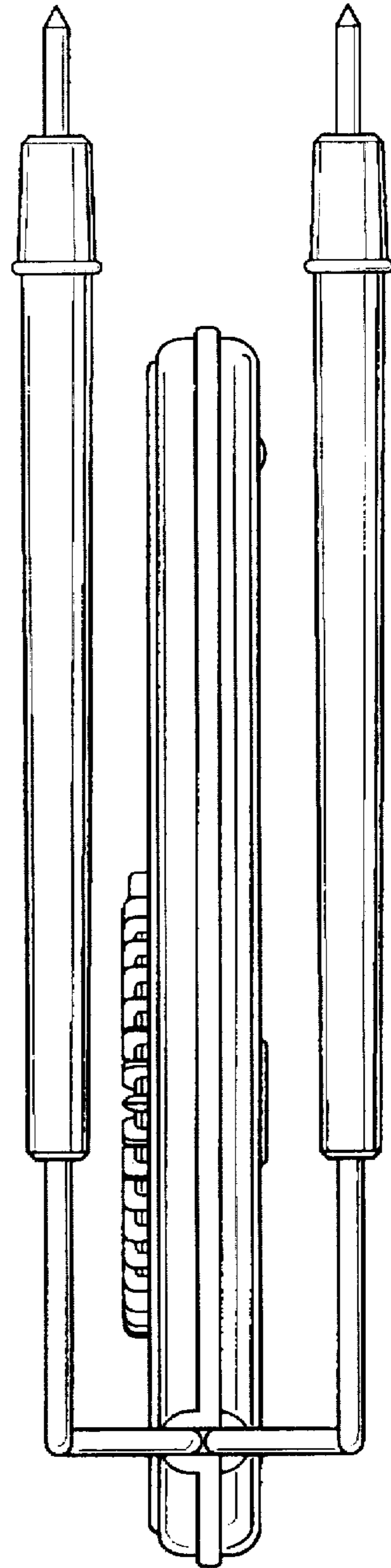


FIG. 9

