



US00D390138S

United States Patent [19]

McCarrick et al.

[11] Patent Number: **Des. 390,138**

[45] Date of Patent: ****Feb. 3, 1998**

[54] **INVENTORY CONTROL PROBE**

[75] Inventors: **Henry Jemison McCarrick**, Fallbrook;
Kevin Cochrane Ross, San Clemente,
both of Calif.; **Douglas N. Laube**,
Nevada, Tex.

[73] Assignee: **Span Instruments, Inc.**, Plano, Tex.

[**] Term: **14 Years**

[21] Appl. No.: **57,079**

[22] Filed: **Jul. 16, 1996**

[51] LOC (6) Cl. **10-04**

[52] U.S. Cl. **D10/78; D10/97**

[58] Field of Search **D10/78; 235/385;**
324/72.5, 500, 539; 340/653, 660

[56] **References Cited**

U.S. PATENT DOCUMENTS

D. 367,431 2/1996 Omuru et al. D10/78

Primary Examiner—Antoine Duval Davis
Attorney, Agent, or Firm—Harold E. Meier

[57] **CLAIM**

The ornamental design for an inventory control probe, as shown and described.

DESCRIPTION

FIG. 1 is a top view of an inventory control probe showing our new design;

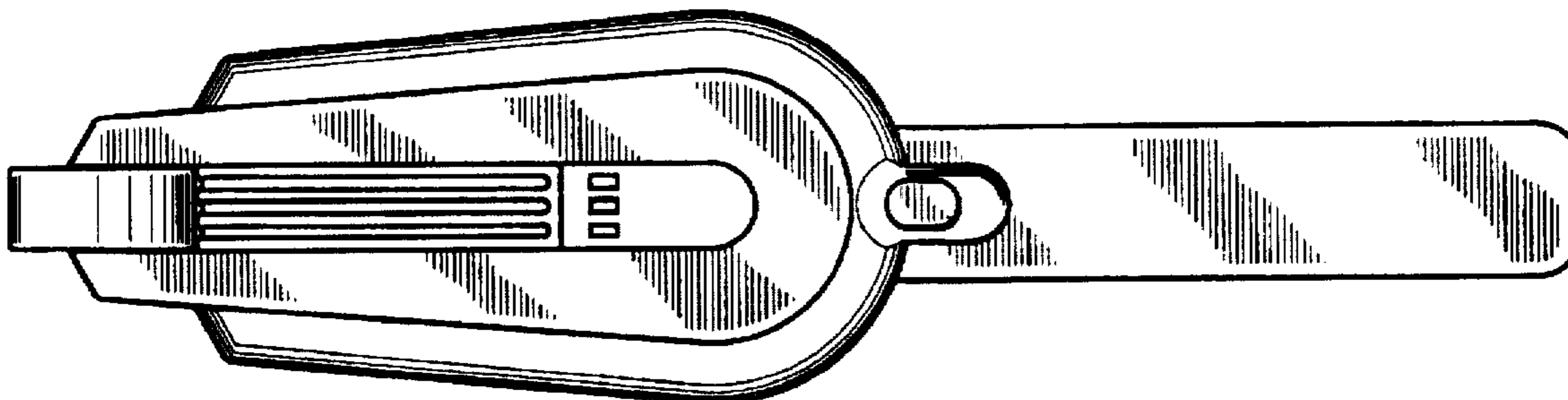
FIG. 2 is a side view thereof;

FIG. 3 is a bottom view thereof;

FIG. 4 is a front view thereof; and,

FIG. 5 is a rear view thereof.

1 Claim, 1 Drawing Sheet



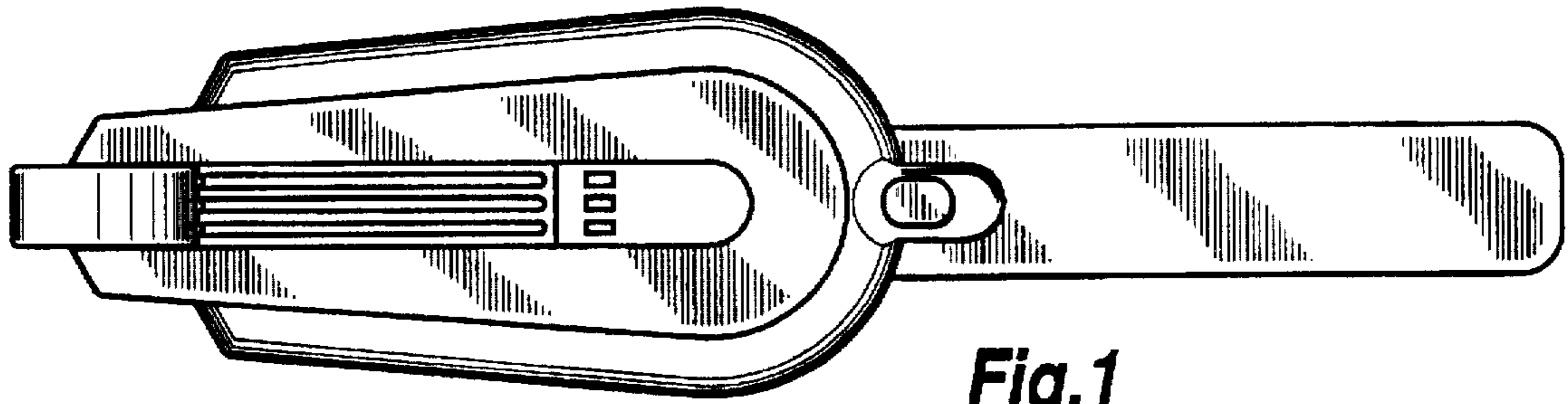


Fig.1

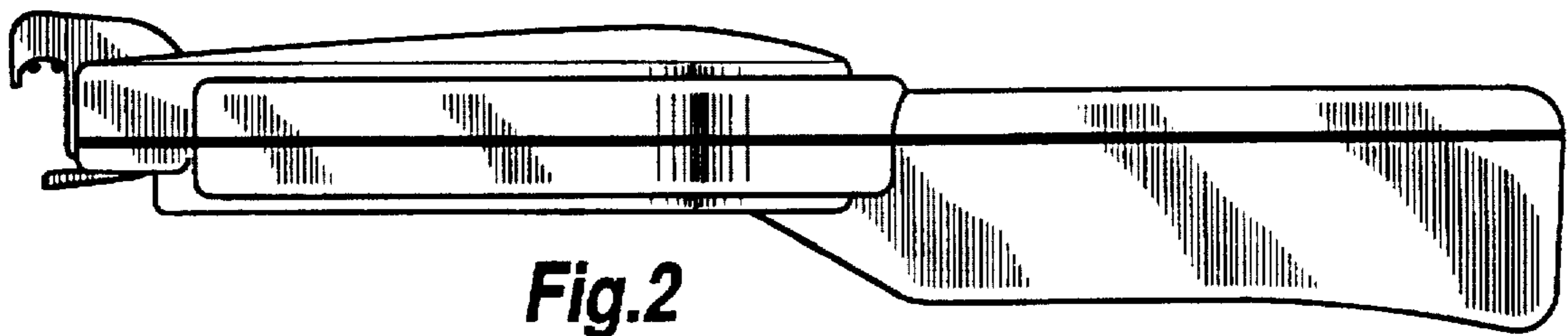


Fig.2

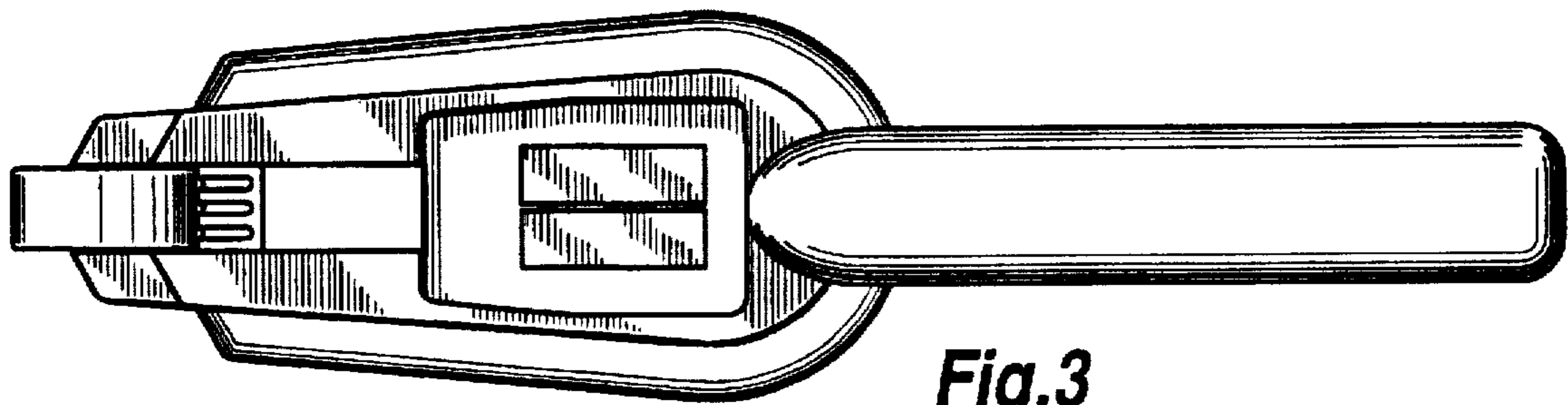


Fig.3

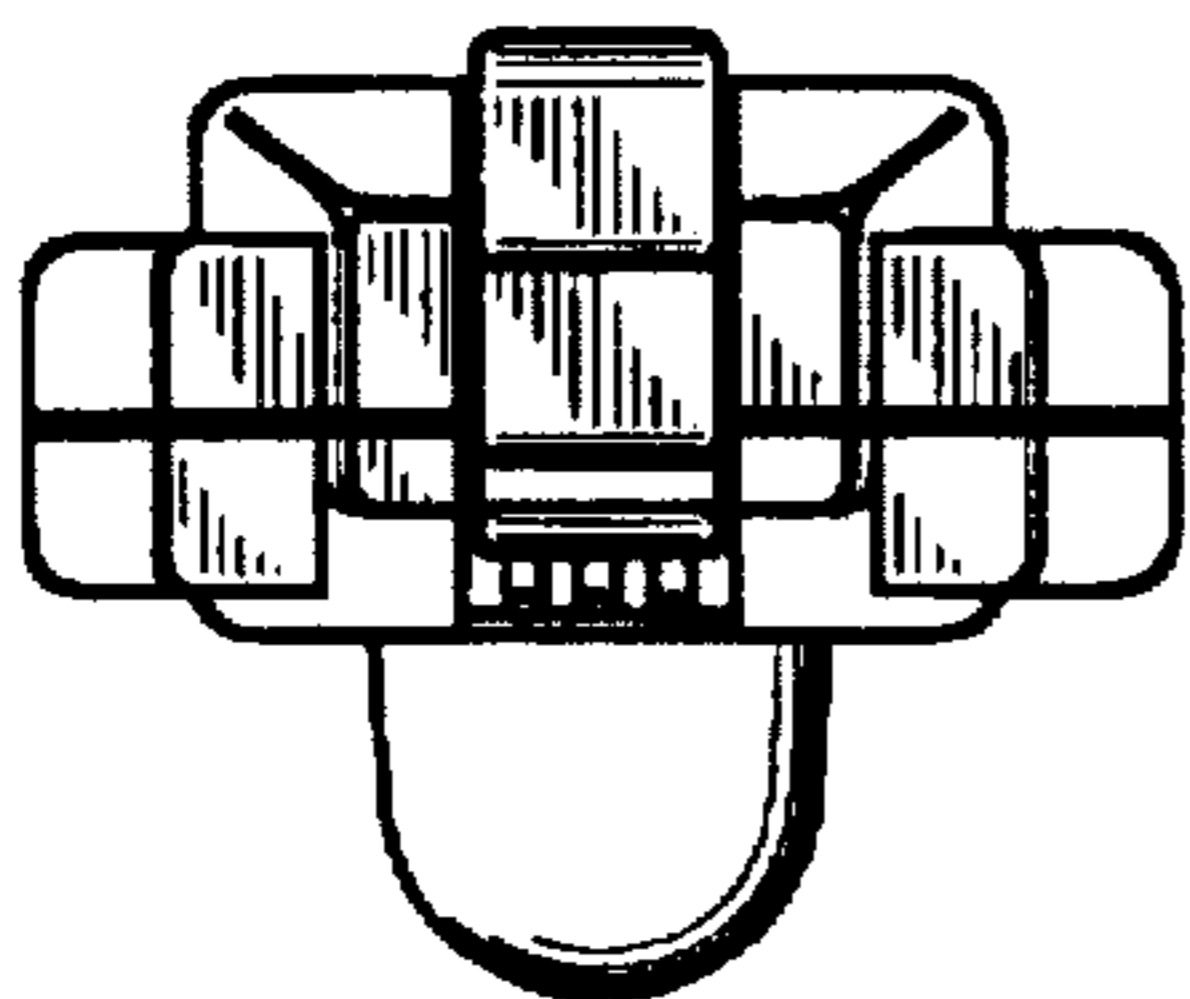


Fig.4

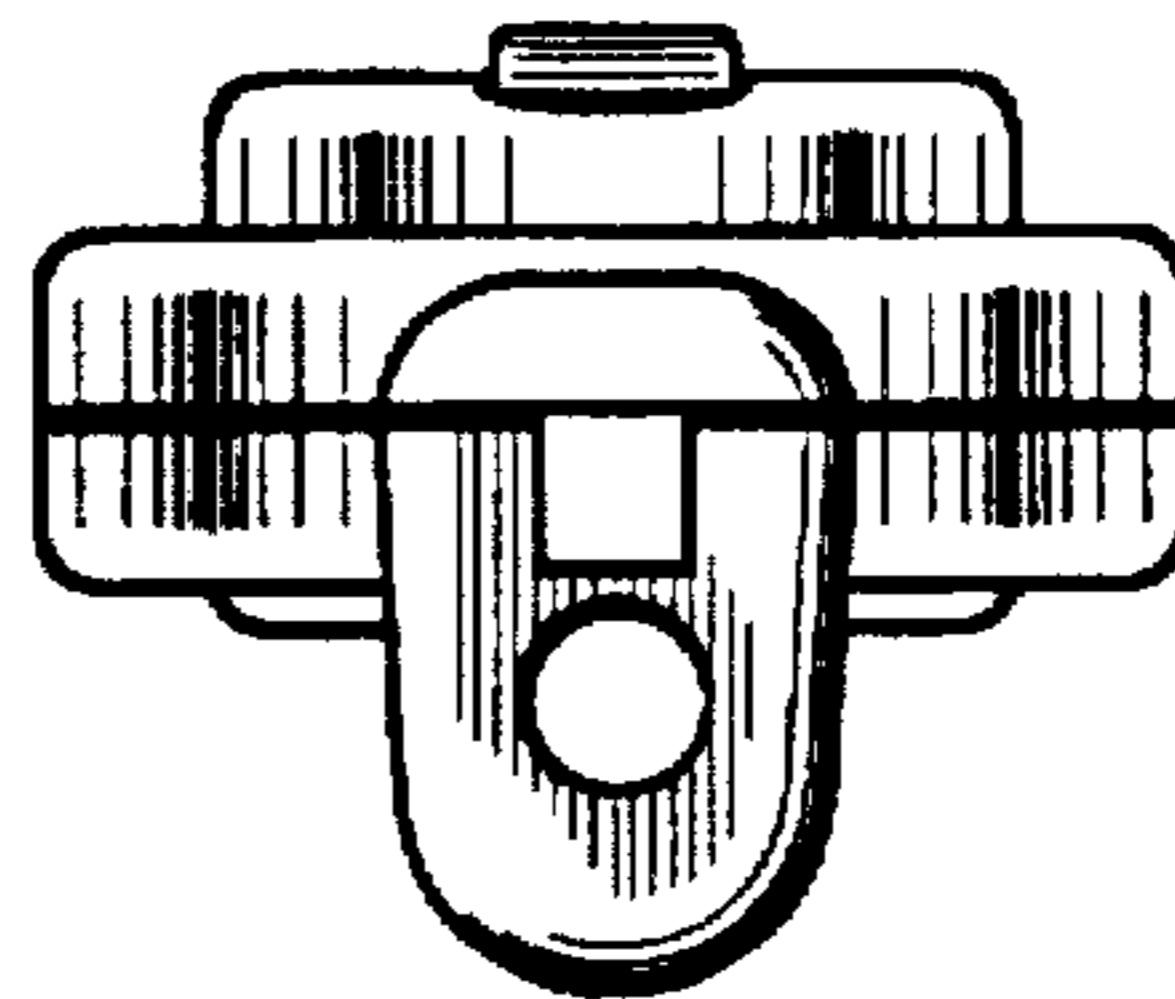


Fig.5