



US00D390136S

# United States Patent [19]

White, Sr.

[11] Patent Number: **Des. 390,136**

[45] Date of Patent: **\*\*Feb. 3, 1998**

[54] **TILE MEASURING TOOL**

[76] Inventor: **Dennis P. White, Sr.**, 4104 E. Broadway, #1177, Mesa, Ariz. 85206

[\*\*] Term: **14 Years**

[21] Appl. No.: **57,966**

[22] Filed: **Aug. 5, 1996**

[51] LOC (6) Cl. .... **10-04**

[52] U.S. Cl. .... **D10/65**

[58] Field of Search ..... D10/61, 62, 65;  
33/469, 327, DIG. 20

[56] **References Cited**

**U.S. PATENT DOCUMENTS**

- D. 136,535 10/1943 Bley ..... D10/65 X
- D. 262,195 12/1981 Koontz ..... D10/65
- D. 332,410 1/1993 Rowell ..... D10/65

1,381,808	6/1921	Davis	.....	33/469
2,582,649	1/1952	Olson	.....	33/469
5,205,045	4/1993	Liu	.....	33/468

*Primary Examiner*—Antoine Duval Davis  
*Attorney, Agent, or Firm*—Harry M. Weiss; Jeffrey D. Moy;  
Harry M. Weiss & Associates, P.C.

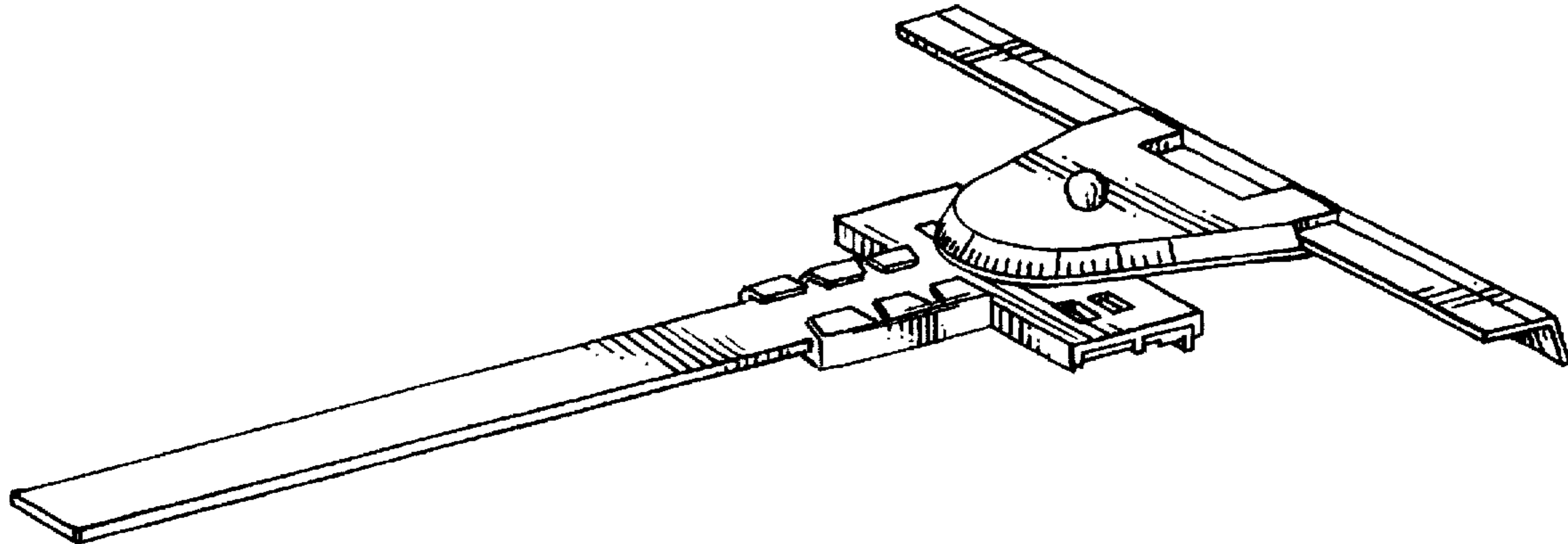
[57] **CLAIM**

The ornamental design for a tile measuring tool, as shown and described.

**DESCRIPTION**

FIG. 1 is a perspective view of a tile measuring tool showing my new design;  
FIG. 2 is a top plan view thereof;  
FIG. 3 is a bottom side elevational view thereof; and,  
FIG. 4 is a right side elevation view thereof with the left side elevational view being a mirror image of that shown.

**1 Claim, 2 Drawing Sheets**



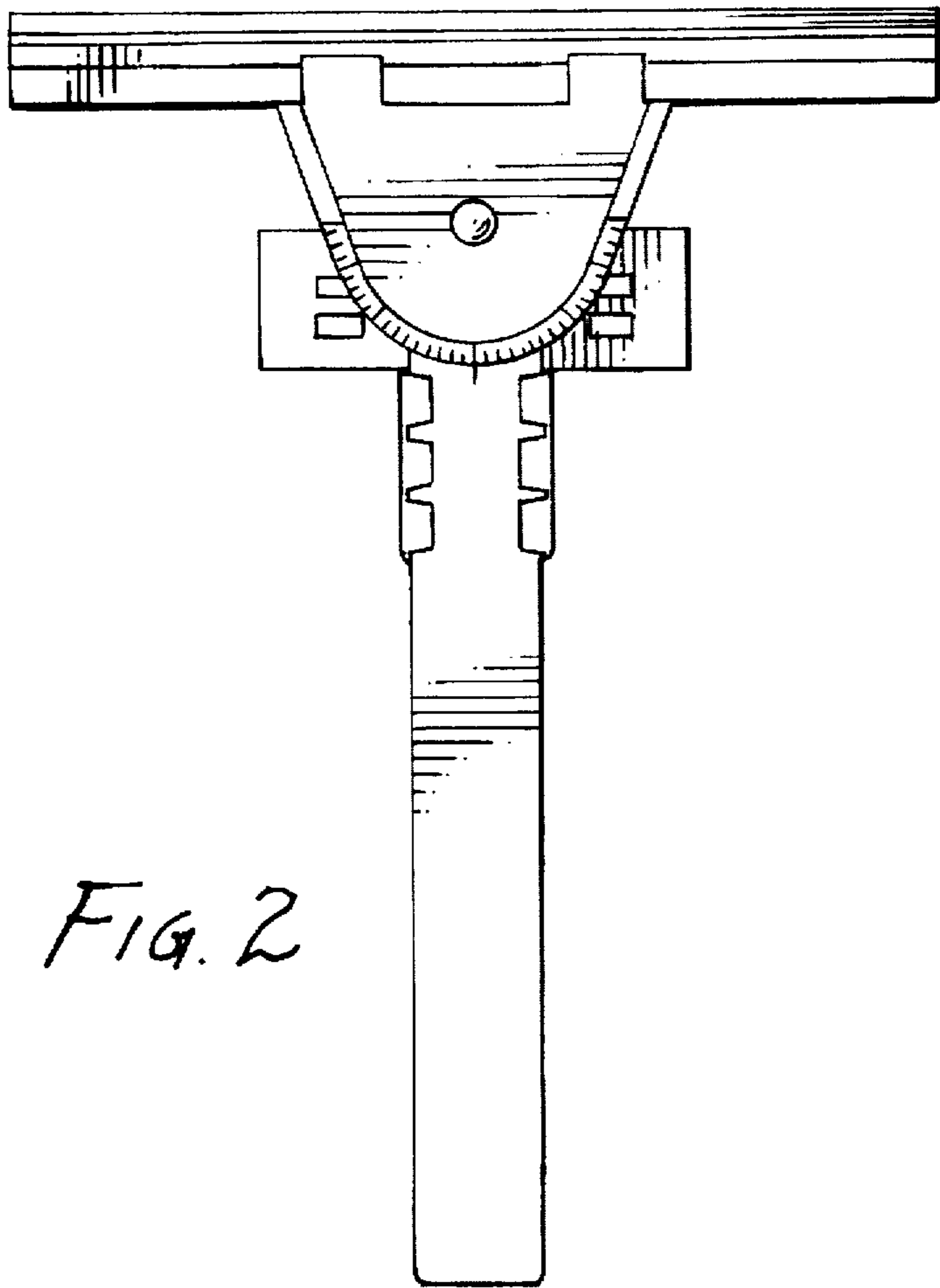


FIG. 2

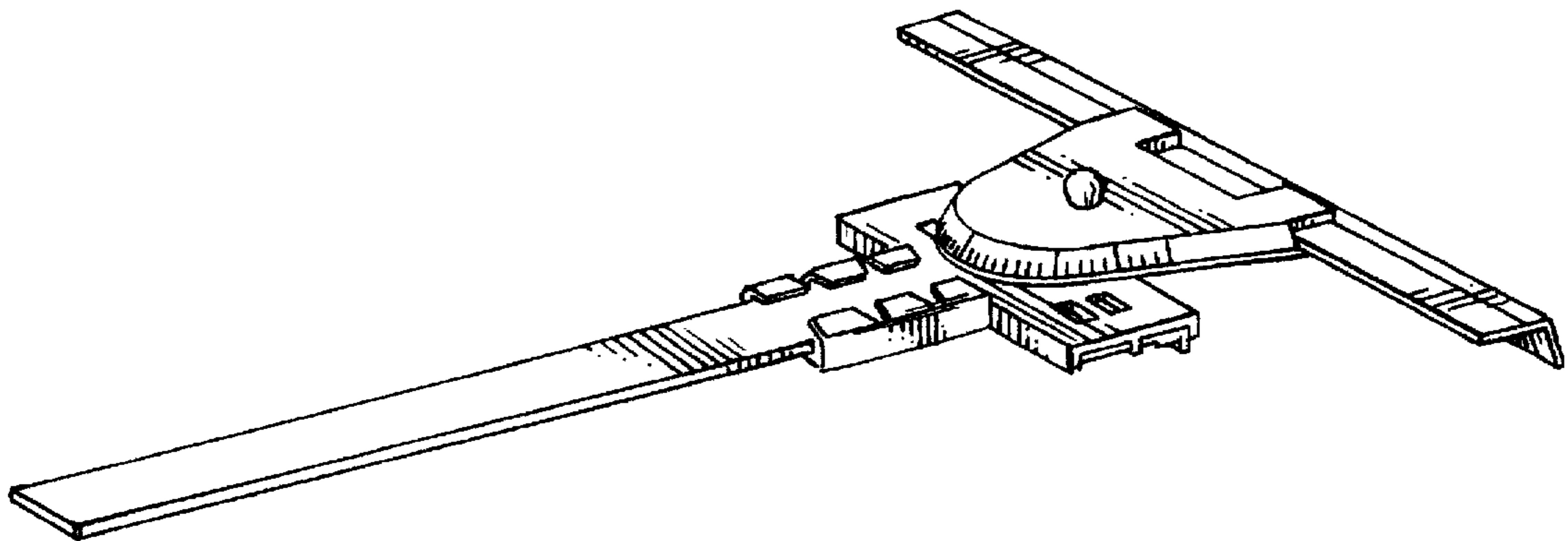
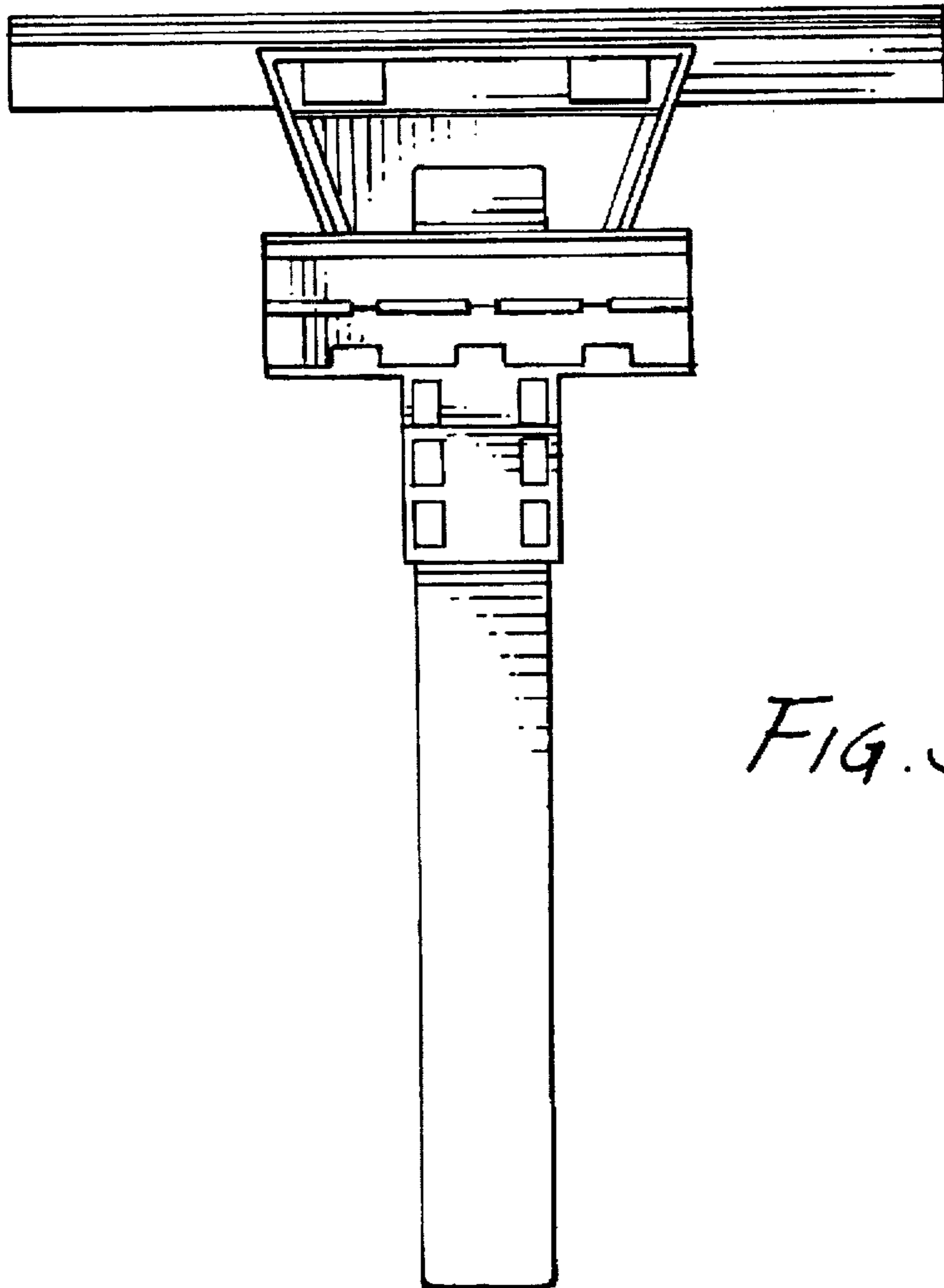
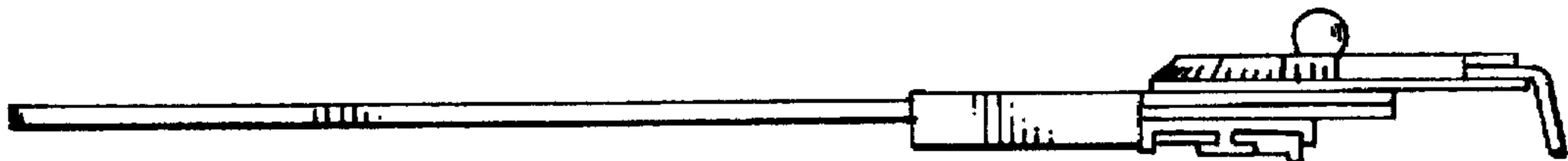


FIG. 1



*Fig. 3*



*Fig. 4*