



US00D390124S

United States Patent [19]

Krauss et al.

[11] Patent Number: **Des. 390,124**

[45] Date of Patent: ****Feb. 3, 1998**

[54] **BEZEL AND CASING FOR A WATCH**

[75] Inventors: **Aurelie E. Krauss, Danbury; John T. Houlihan, Southbury, both of Conn.**

[73] Assignee: **Timex Corp., Middlebury, Conn.**

[**] Term: **14 Years**

[21] Appl. No.: **70,184**

[22] Filed: **May 1, 1997**

[51] LOC (6) Cl. **10-02**

[52] U.S. Cl. **D10/30; D10/38**

[58] Field of Search **D10/1-40, 122-132; 368/280-282, 276-277, 28-30, 285, 239-242, 82-84, 41-44**

[56] **References Cited**

U.S. PATENT DOCUMENTS

D. 261,734 11/1981 Onodera D10/39

D. 364,572 11/1995 Goto D10/39
D. 364,817 12/1995 Morishima D10/39
D. 366,426 1/1996 Kojima D10/39

Primary Examiner—Nelson C. Holtje
Attorney, Agent, or Firm—Paul R. Juhasz

[57] **CLAIM**

The ornamental design for a “bezel and casing for a watch”, as shown and described.

DESCRIPTION

FIG. 1 is a perspective elevational view of a “bezel and casing for a watch”;
FIG. 2 is a left side elevational view thereof;
FIG. 3 is a top plan view thereof;
FIG. 4 is a right side elevational view thereof;
FIG. 5 is an end elevational view thereof;
FIG. 6 is the other end elevational view thereof; and,
FIG. 7 is a bottom plan view thereof.

1 Claim, 2 Drawing Sheets

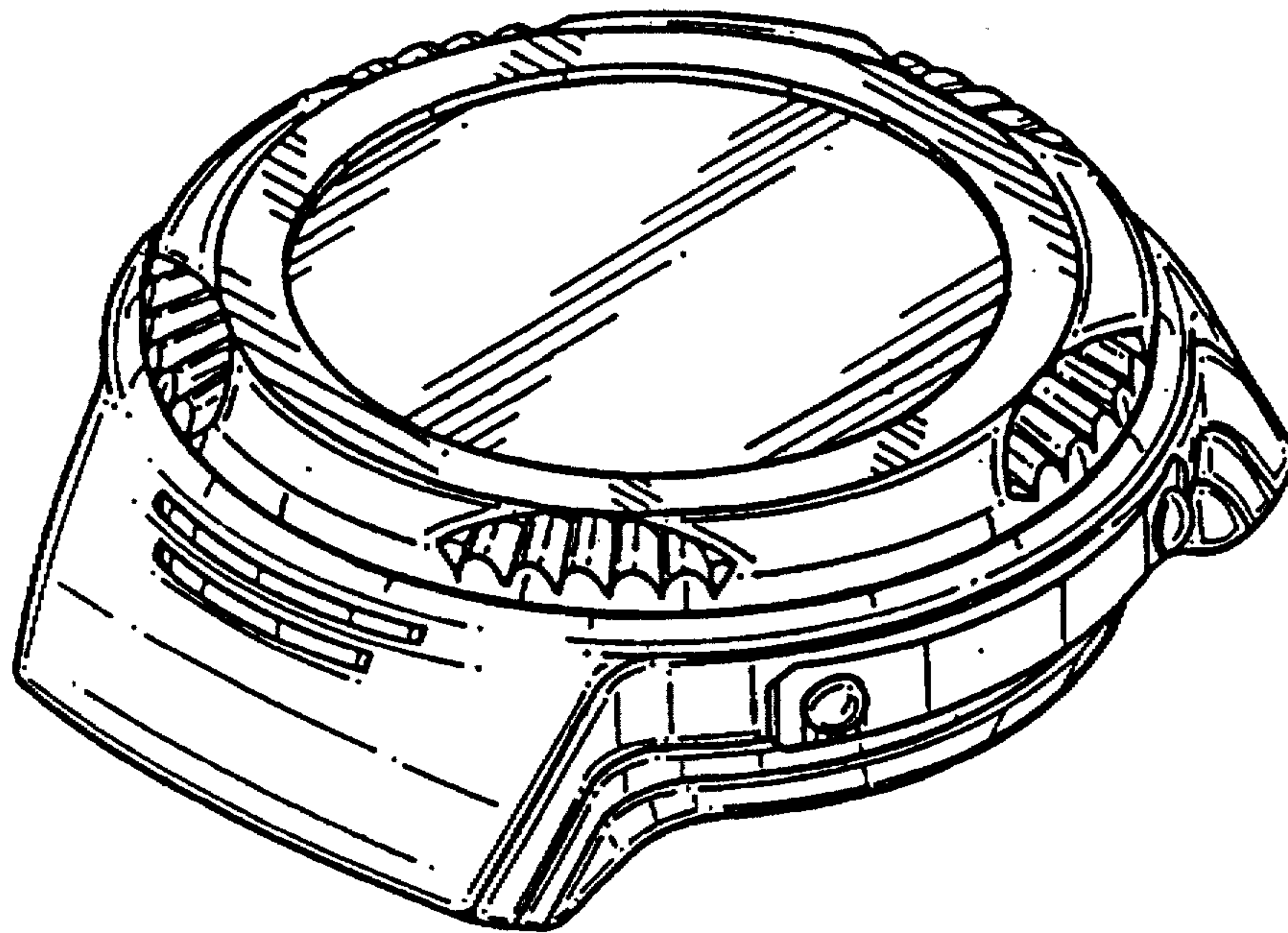


FIG. 1

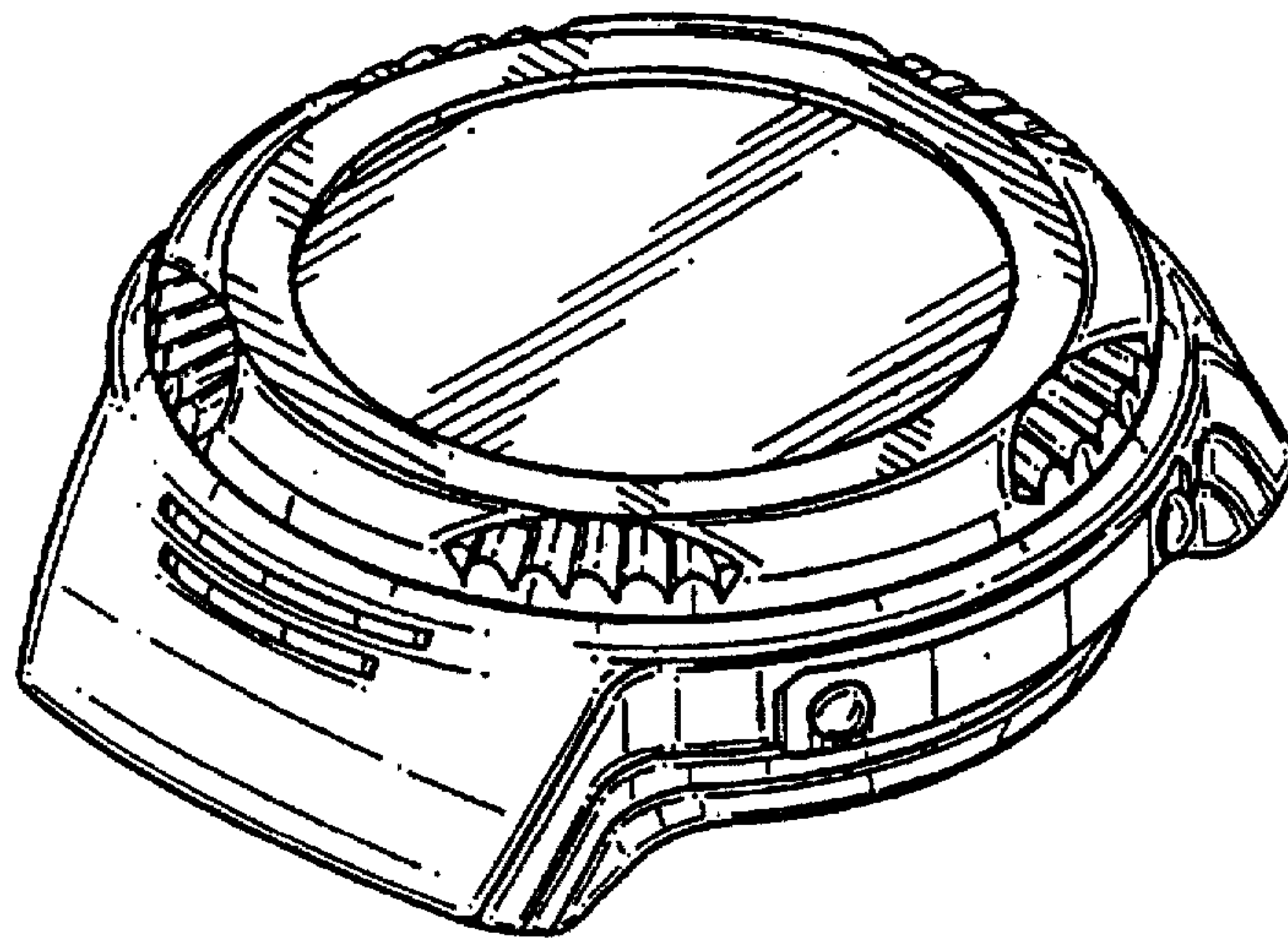


FIG. 7

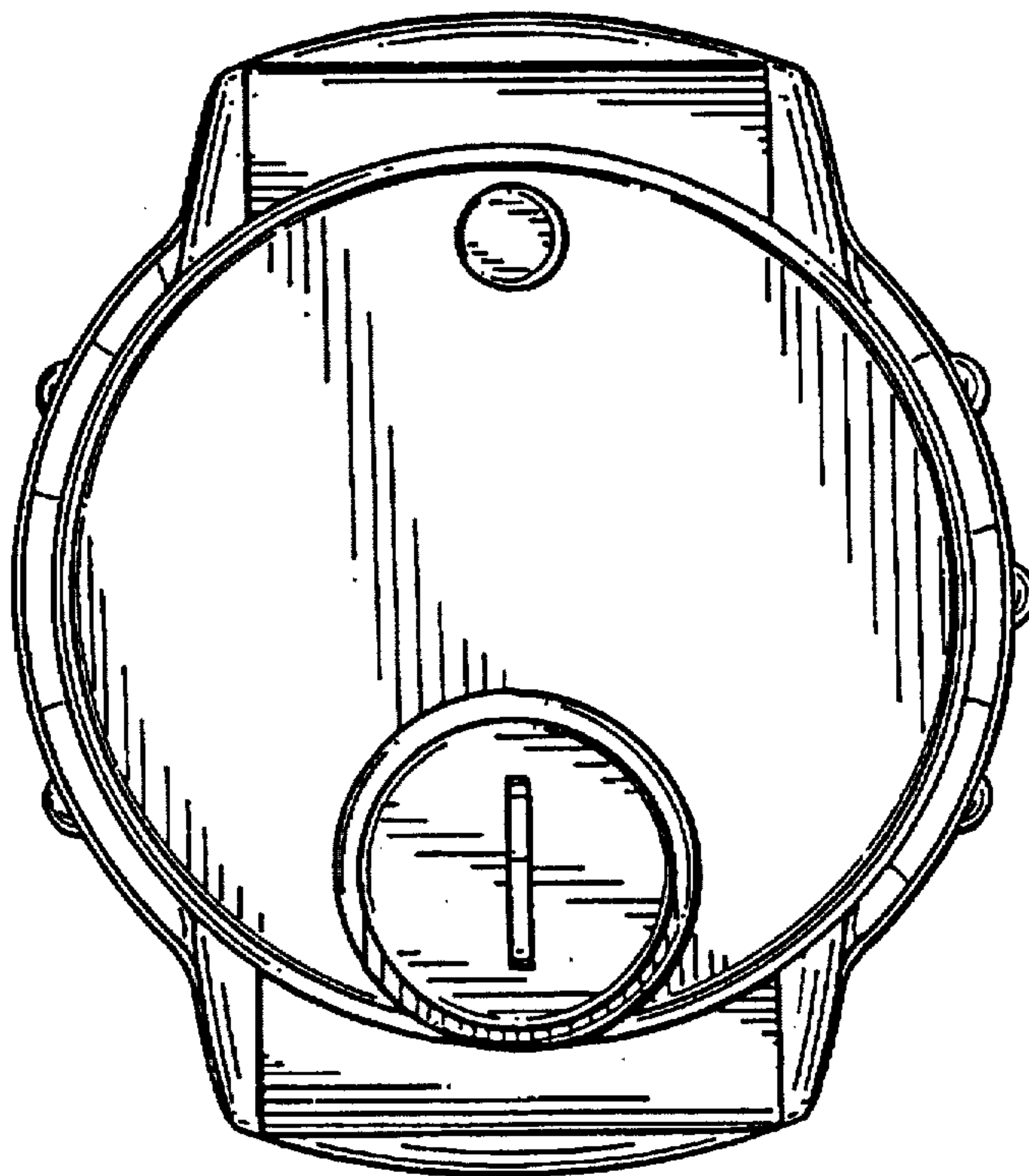


FIG. 4

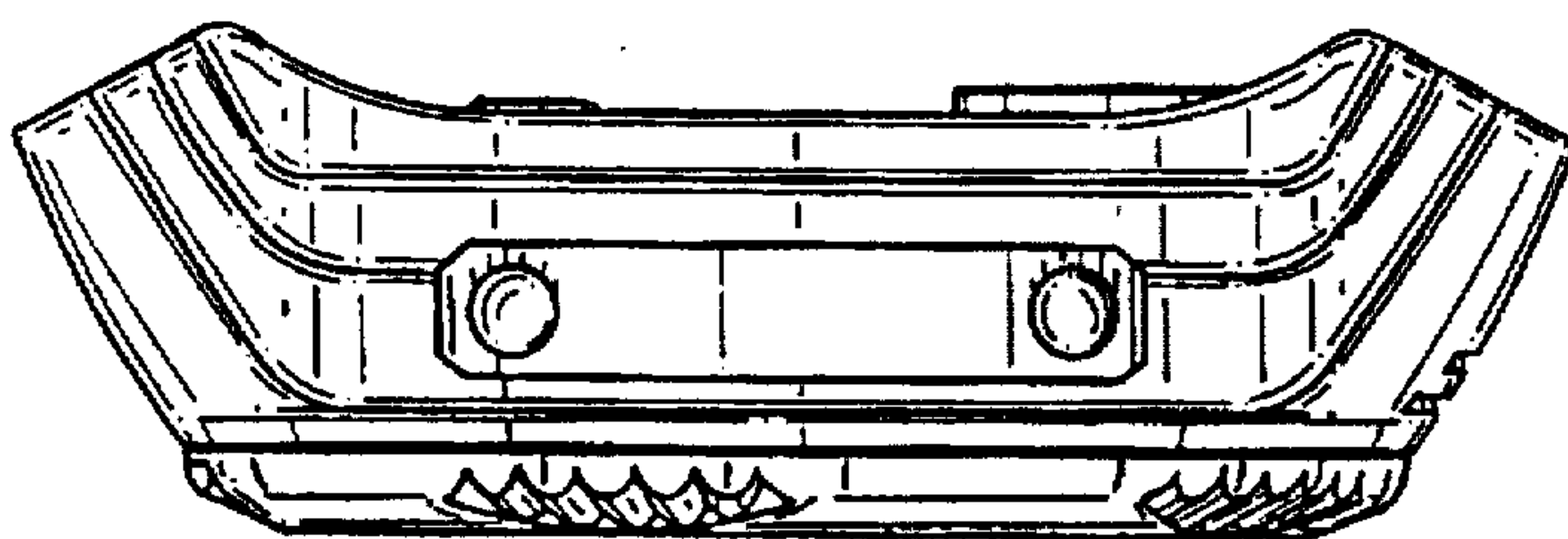


FIG. 3

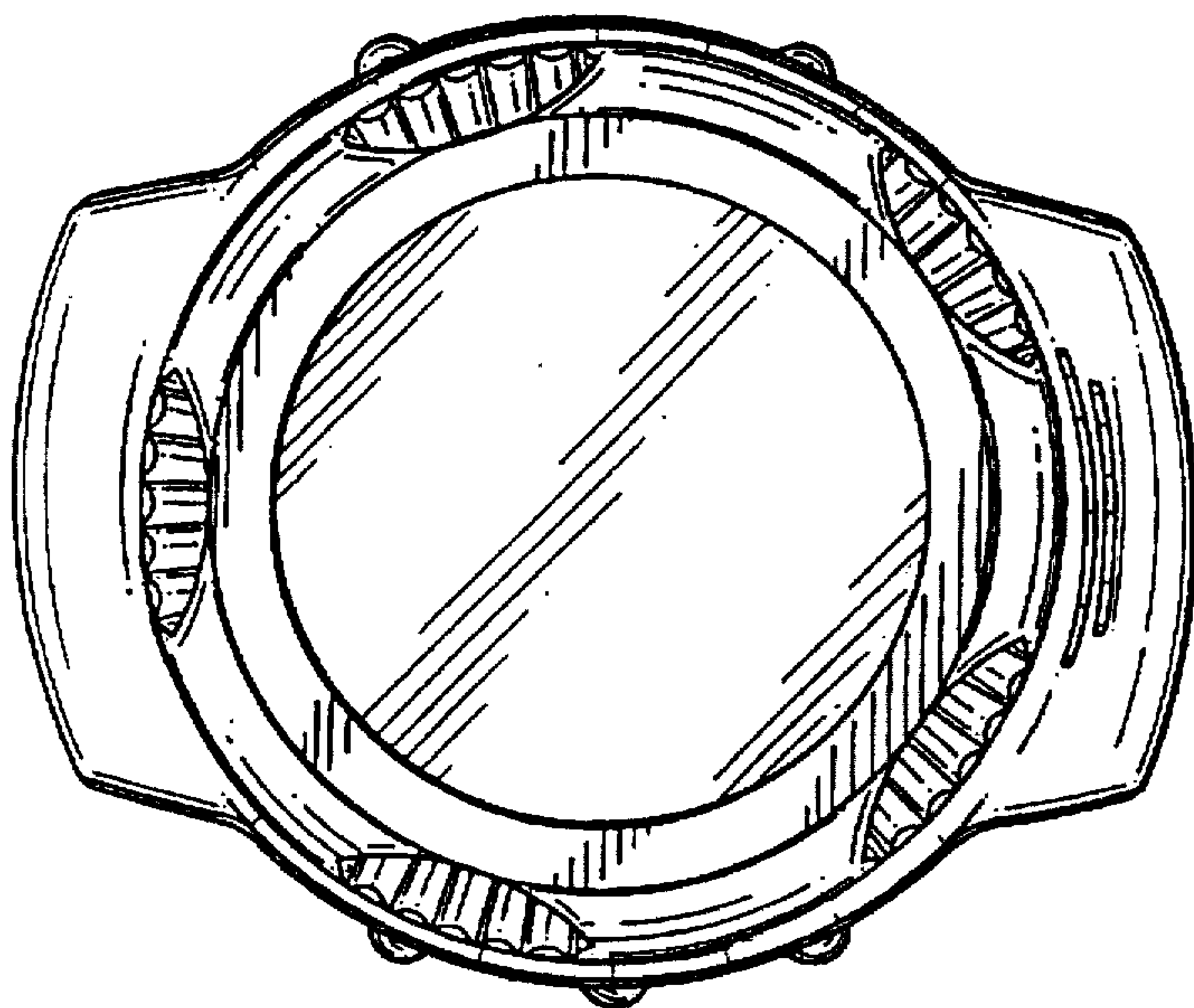


FIG. 2

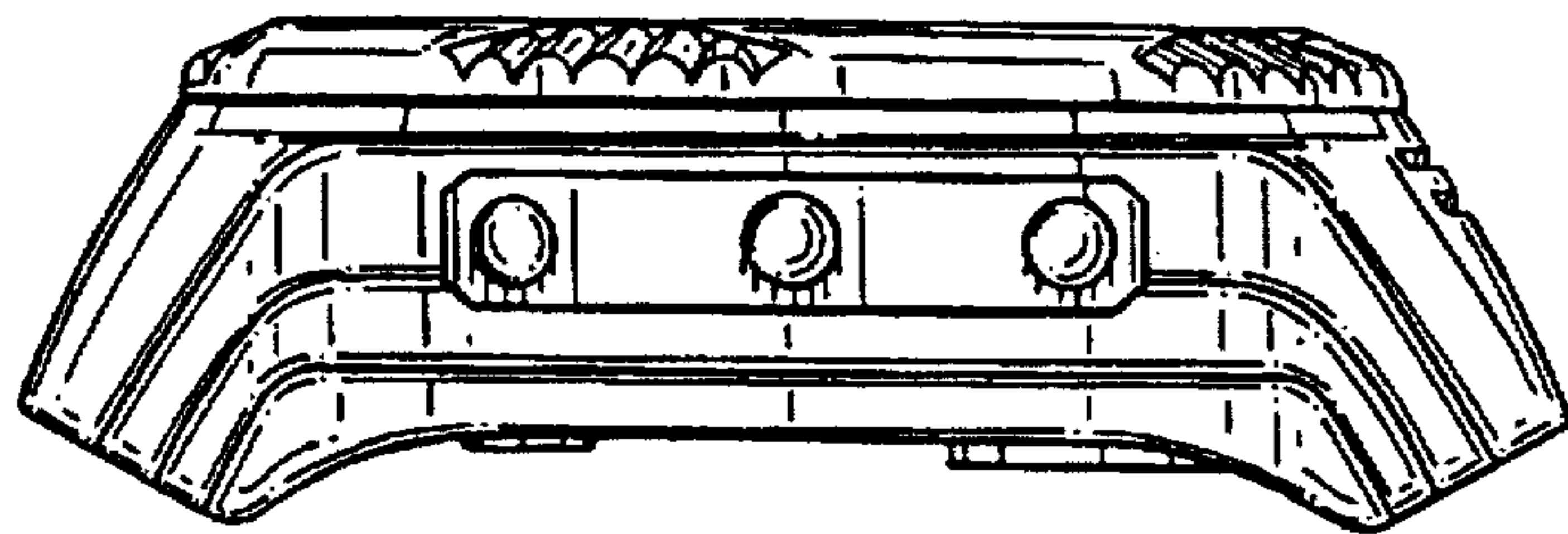


FIG. 6

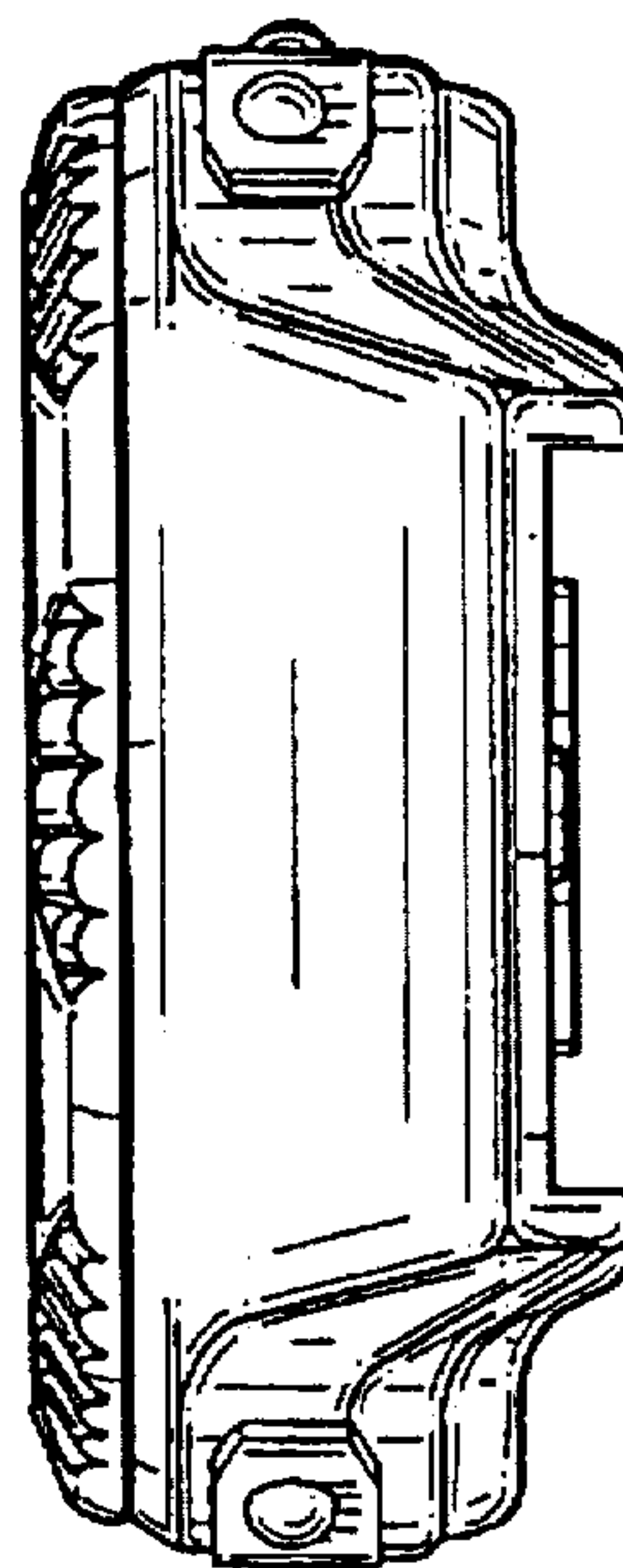


FIG. 5

