



US00D390120S

United States Patent [19] Chiang

[11] Patent Number: **Des. 390,120**

[45] Date of Patent: ****Feb. 3, 1998**

[54] **ALARM CLOCK**

[76] Inventor: **Kuo-Chin Chiang**, 58, Ma Yuan West St., Taichung, Taiwan

[**] Term: **14 Years**

[21] Appl. No.: **64,859**

[22] Filed: **Jan. 13, 1997**

[51] LOC (6) Cl. **10-01**

[52] U.S. Cl. **D10/12; D15/23**

[58] Field of Search **D10/6, 12; D15/23; D21/132**

[56] **References Cited**

U.S. PATENT DOCUMENTS

- D. 89,030 1/1933 **Bultrib** D10/12 X
- D. 182,147 2/1958 **Streitlow** D15/23
- D. 208,697 9/1967 **Koerber** D15/23
- D. 258,824 4/1981 **Funabashi** D15/23

- D. 261,141 10/1981 **Takahashi** D15/23
- D. 301,039 5/1989 **Funabashi** D15/23
- D. 359,454 6/1995 **Best** D10/12

Primary Examiner—Nelson C. Holtje

[57] **CLAIM**

The ornamental design for an alarm clock, as shown and described.

DESCRIPTION

FIG. 1 is a front elevational view of an alarm clock showing my design;

FIG. 2 is a rear elevational view thereof;

FIG. 3 is a left side elevational view thereof;

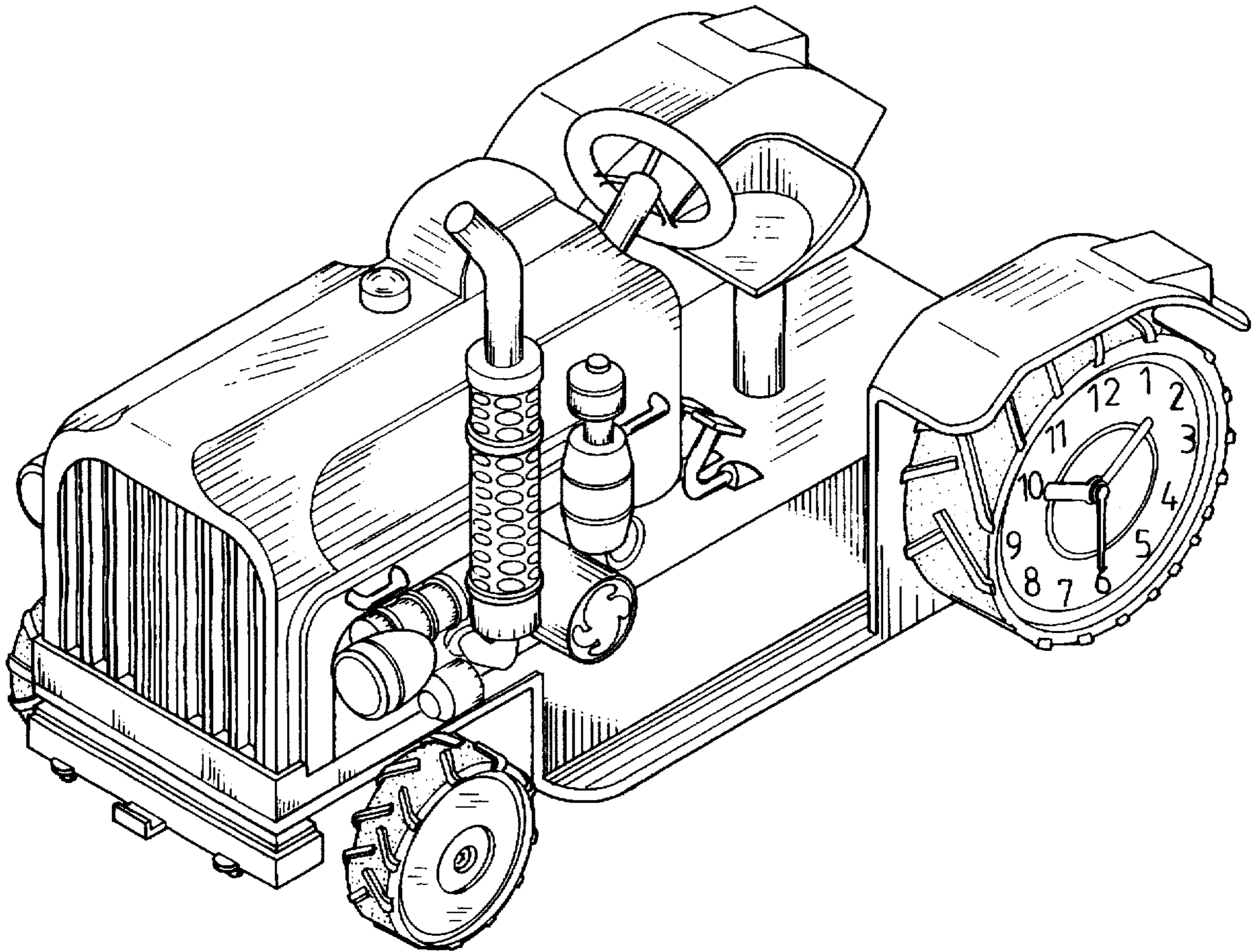
FIG. 4 is a right side elevational view thereof;

FIG. 5 is a top plan view thereof;

FIG. 6 is a bottom plan view thereof; and,

FIG. 7 is a perspective view thereof.

1 Claim, 7 Drawing Sheets



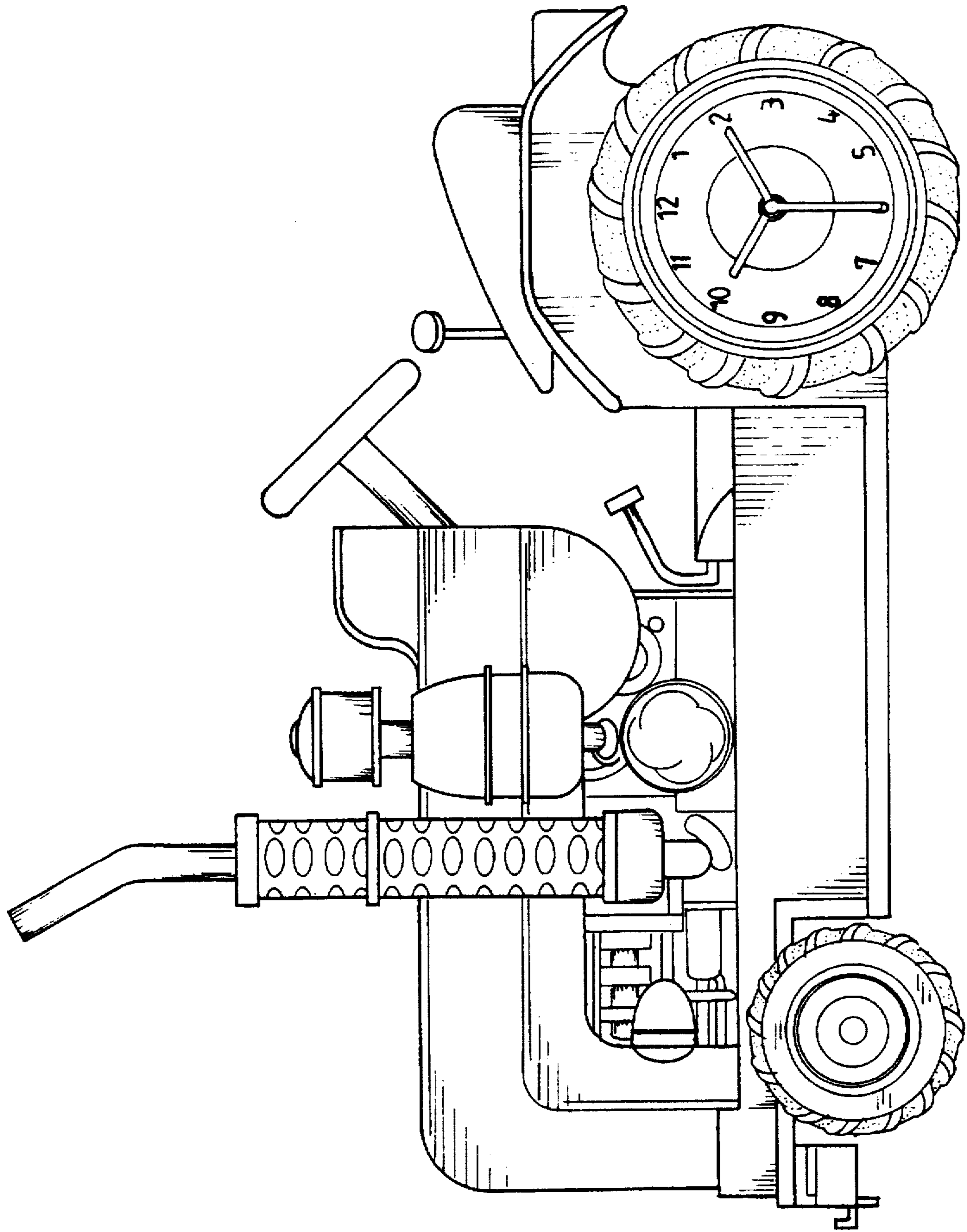


FIG. 1

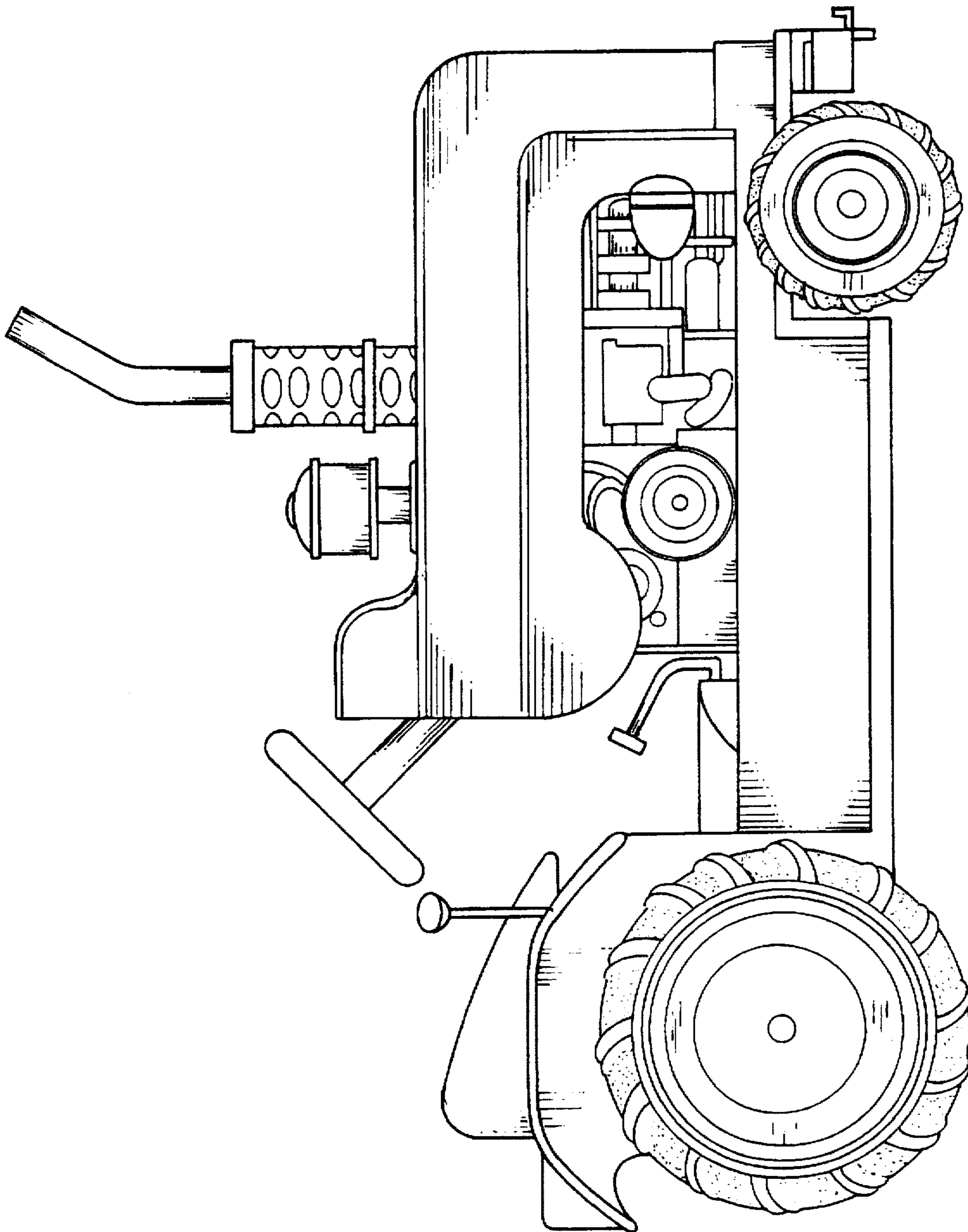


FIG. 2

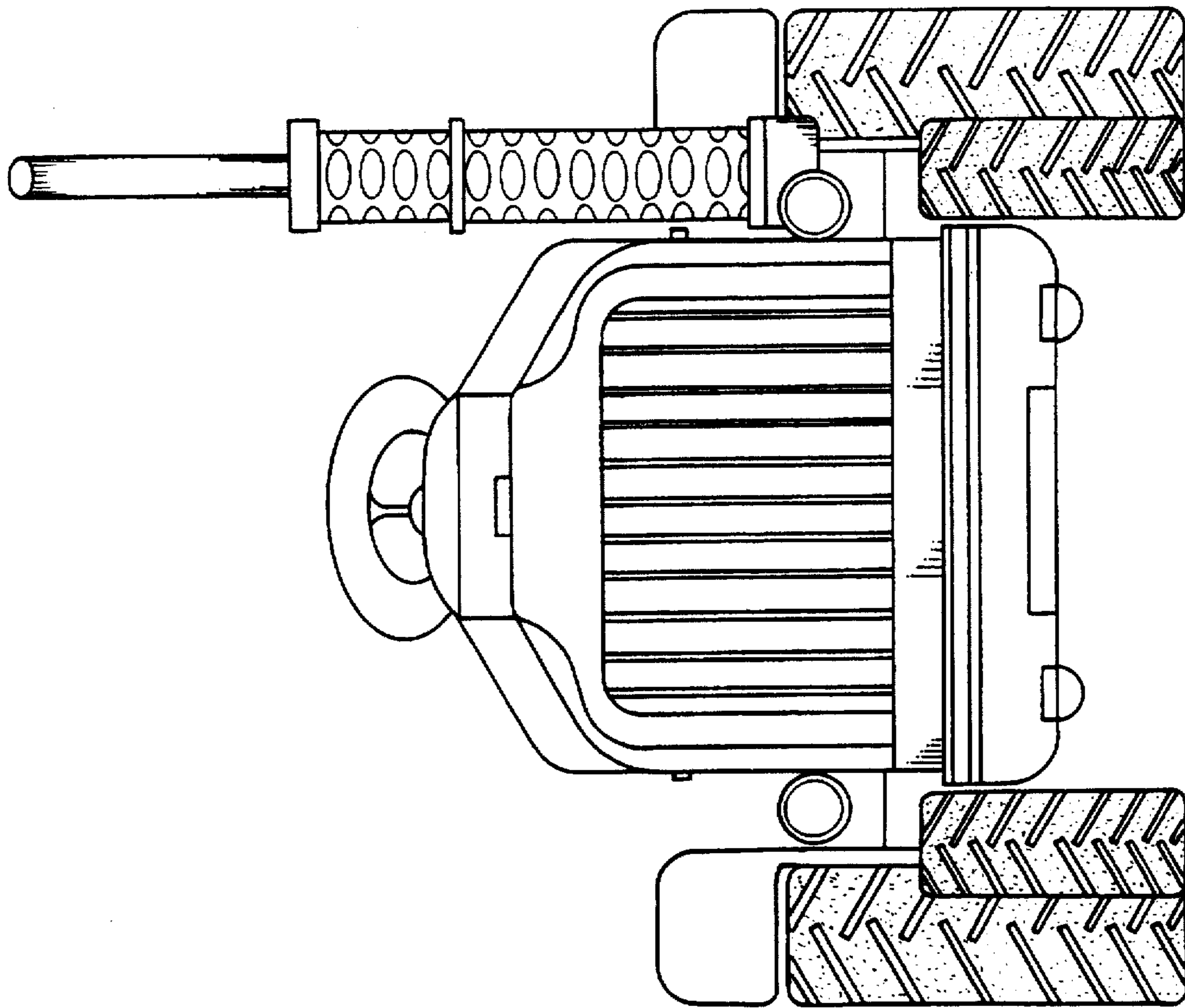


FIG. 3

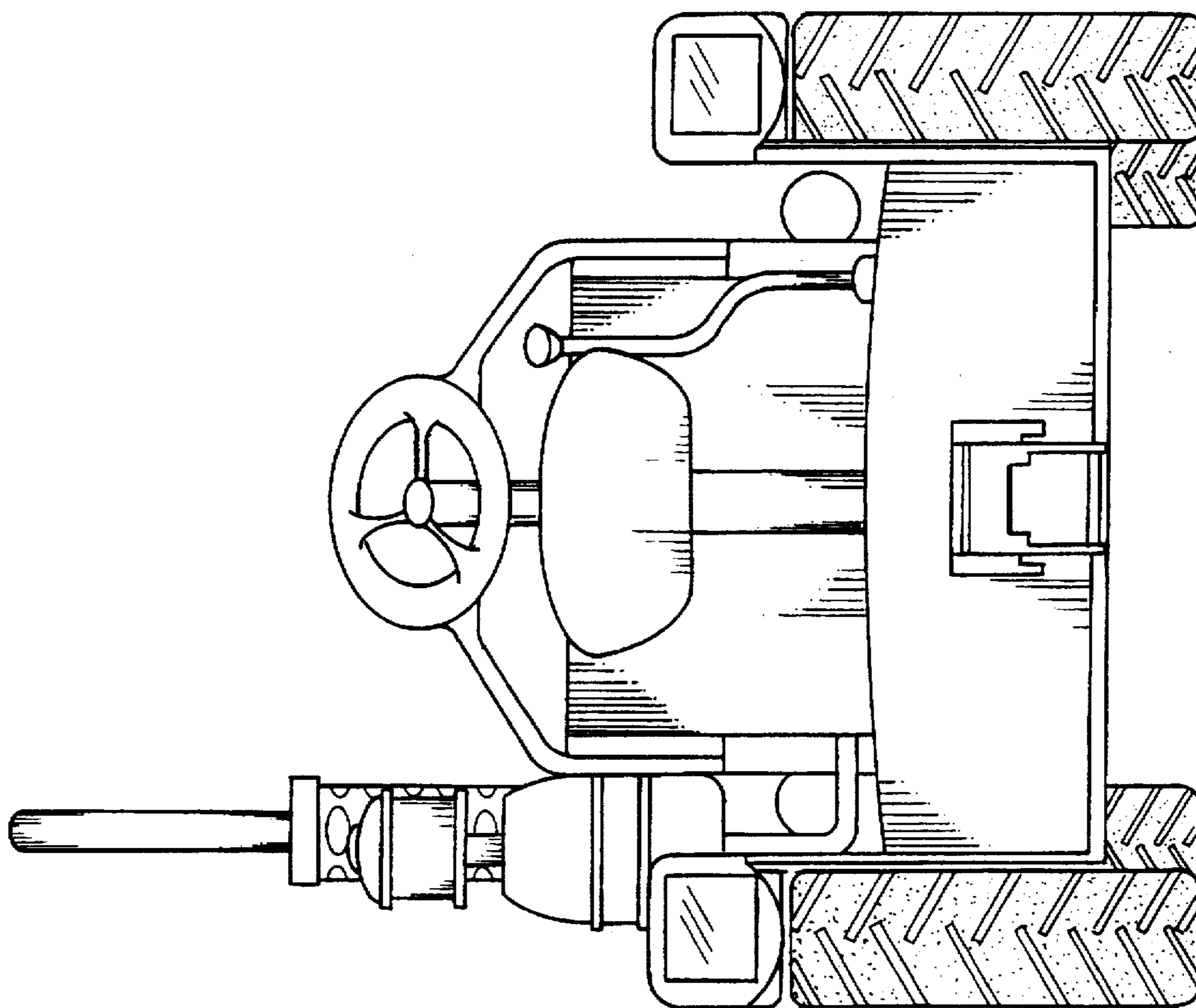


FIG. 4

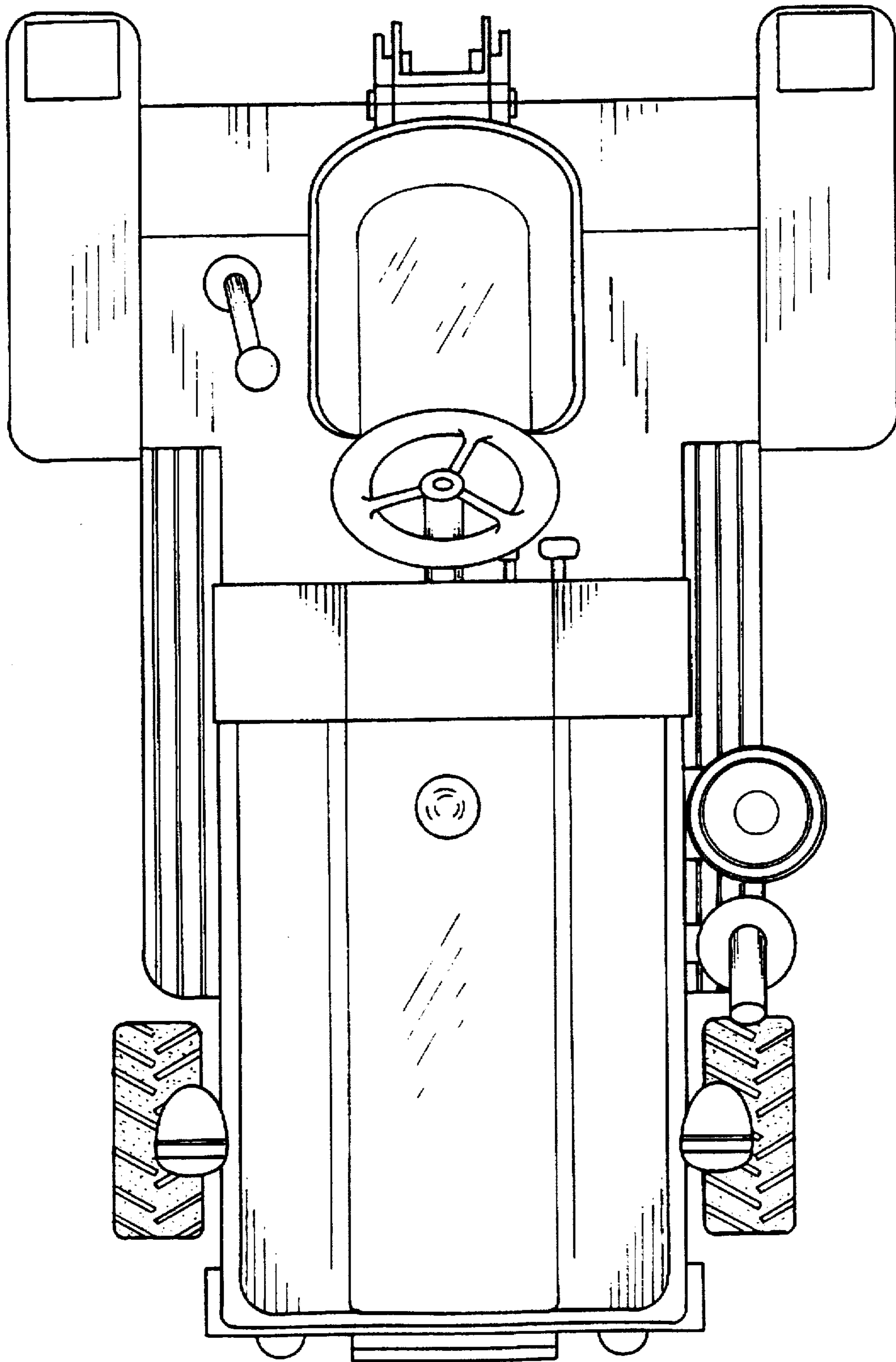


FIG. 5

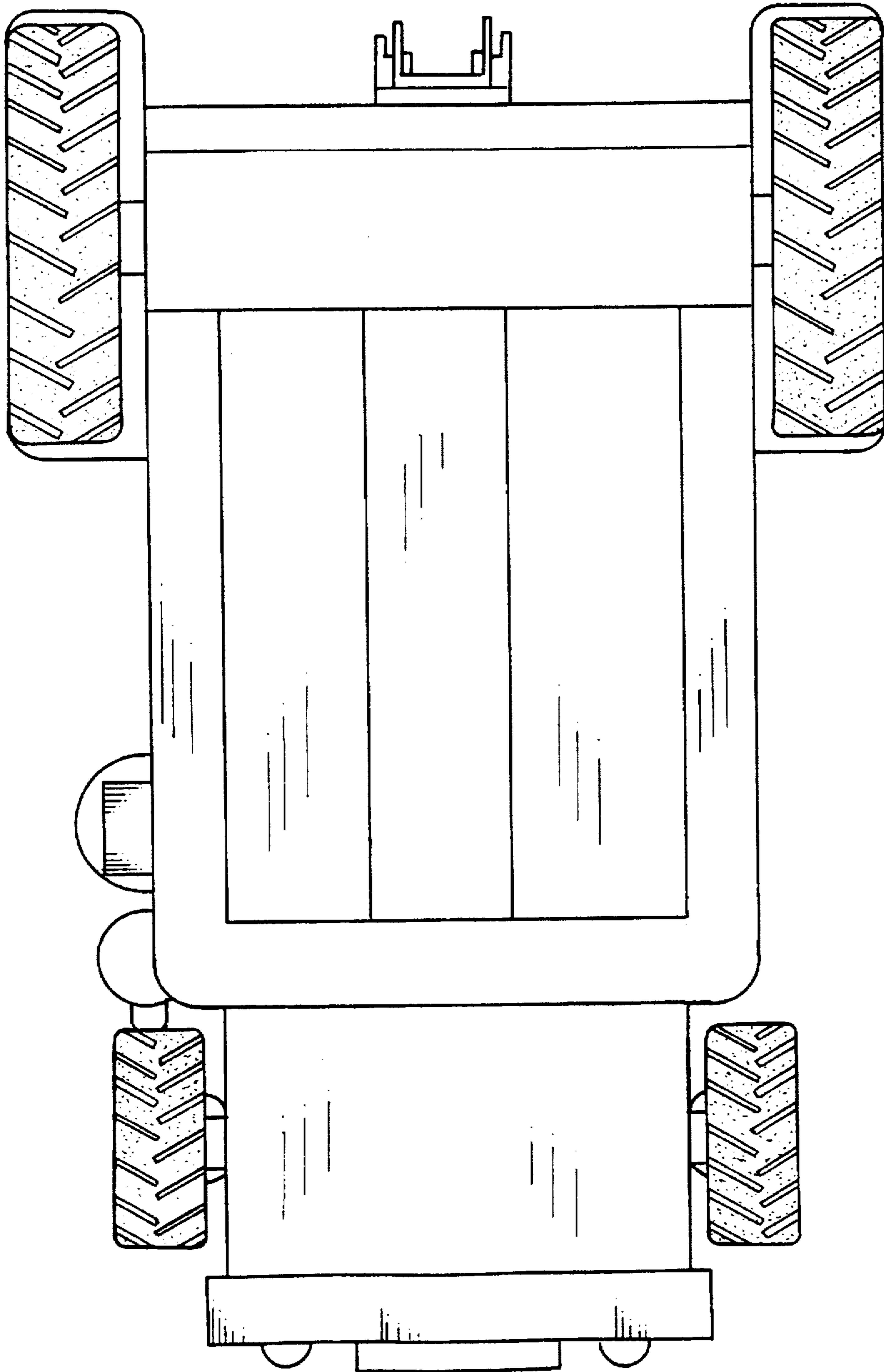


FIG. 6

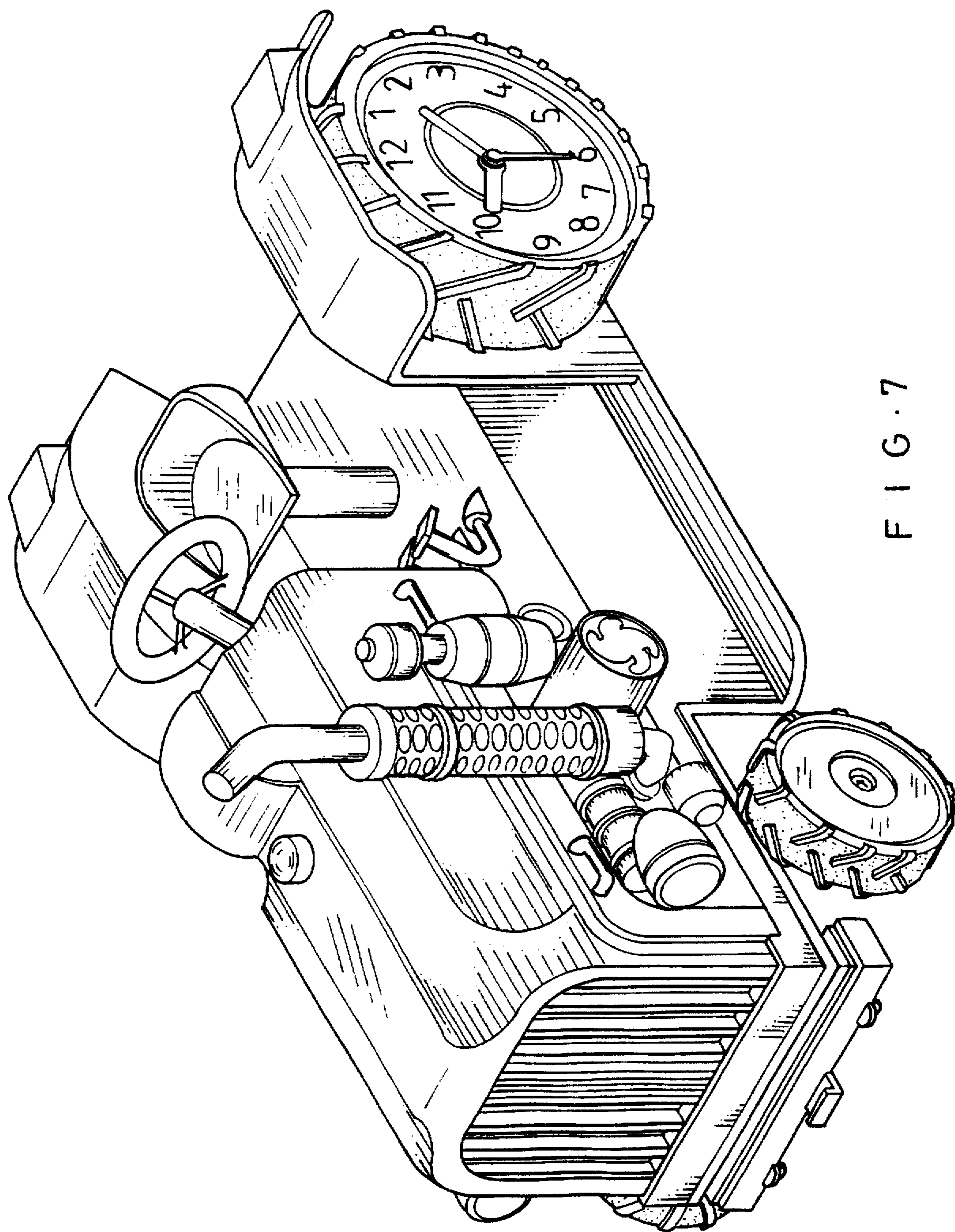


FIG. 7