



US00D390115S

United States Patent [19]

[11] Patent Number: **Des. 390,115**

Wehrle et al.

[45] Date of Patent: ****Feb. 3, 1998**

[54] CONTAINER

[75] Inventors: **William R. Wehrle**, Chapel Hill; **Neil P. Stapensea**, Raliegh, both of N.C.; **Douglas J. Mattson**, Liberty, Mo.; **Ted E. Piatt**, Apex, N.C.; **Joseph P. Quinn**, Whippany, N.J.

[73] Assignee: **BASF Corporation**, Mount Olive, N.J.

[**] Term: **14 Years**

[21] Appl. No.: **57,579**

[22] Filed: **Jul. 29, 1996**

Related U.S. Application Data

[63] Continuation of Ser. No. 47,251, Nov. 30, 1995, Pat. No. Des. 378,191, which is a continuation of Ser. No. 37,718, Apr. 18, 1995, abandoned.

[51] LOC (6) Cl. **09-01**

[52] U.S. Cl. **D9/528; D9/341; D9/524**

[58] Field of Search **D9/528, 341, 347, D9/524, 534, 523; 215/382, 383, 6, 10, 398, 396**

[56] References Cited

U.S. PATENT DOCUMENTS

- D. 159,531 8/1950 Polime .
- D. 192,980 6/1962 Mangini et al. .
- D. 213,949 4/1969 Lenhart .
- D. 230,708 3/1974 Hutler .
- D. 236,315 8/1975 Russo .
- D. 270,135 8/1983 Gates .
- D. 270,237 8/1983 Hestehave .
- D. 277,552 2/1985 Küng .
- D. 280,599 9/1985 Green .
- D. 284,641 7/1986 Jones .
- D. 286,615 11/1986 Lyons **D9/528 X**
- D. 287,226 12/1986 Lyons **D9/528 X**
- D. 288,526 3/1987 Parad .
- D. 292,268 10/1987 Costa .
- D. 292,373 10/1987 Costa .
- D. 305,982 2/1990 Gillispie et al. .
- D. 314,510 2/1991 Platte, Sr. .
- D. 319,970 9/1991 Beeman .

- D. 326,606 6/1992 Green .
- D. 333,263 2/1993 Markuzov .
- D. 333,980 3/1993 Schmitt .
- D. 346,113 4/1994 Ferguson et al. .
- D. 351,347 10/1994 Ring **D9/528**
- D. 368,226 3/1996 Ring **D9/528**
- 2,826,338 3/1958 Davis .
- 2,883,082 4/1959 Schlumbohm .
- 3,756,470 9/1973 Bagwell .
- 3,811,671 5/1974 Turnbull .
- 4,010,863 3/1977 Ebel .
- 4,125,207 11/1978 Ernst et al. .

(List continued on next page.)

FOREIGN PATENT DOCUMENTS

2149569 4/1973 Germany .

OTHER PUBLICATIONS

Drug and Cosmetic Industry, May 1985, p. 64, O. Berk Co. "Twin-Pak" Containers.

Primary Examiner—Lucy Lieberman
Attorney, Agent, or Firm—Nixon & Vanderhye P.C.

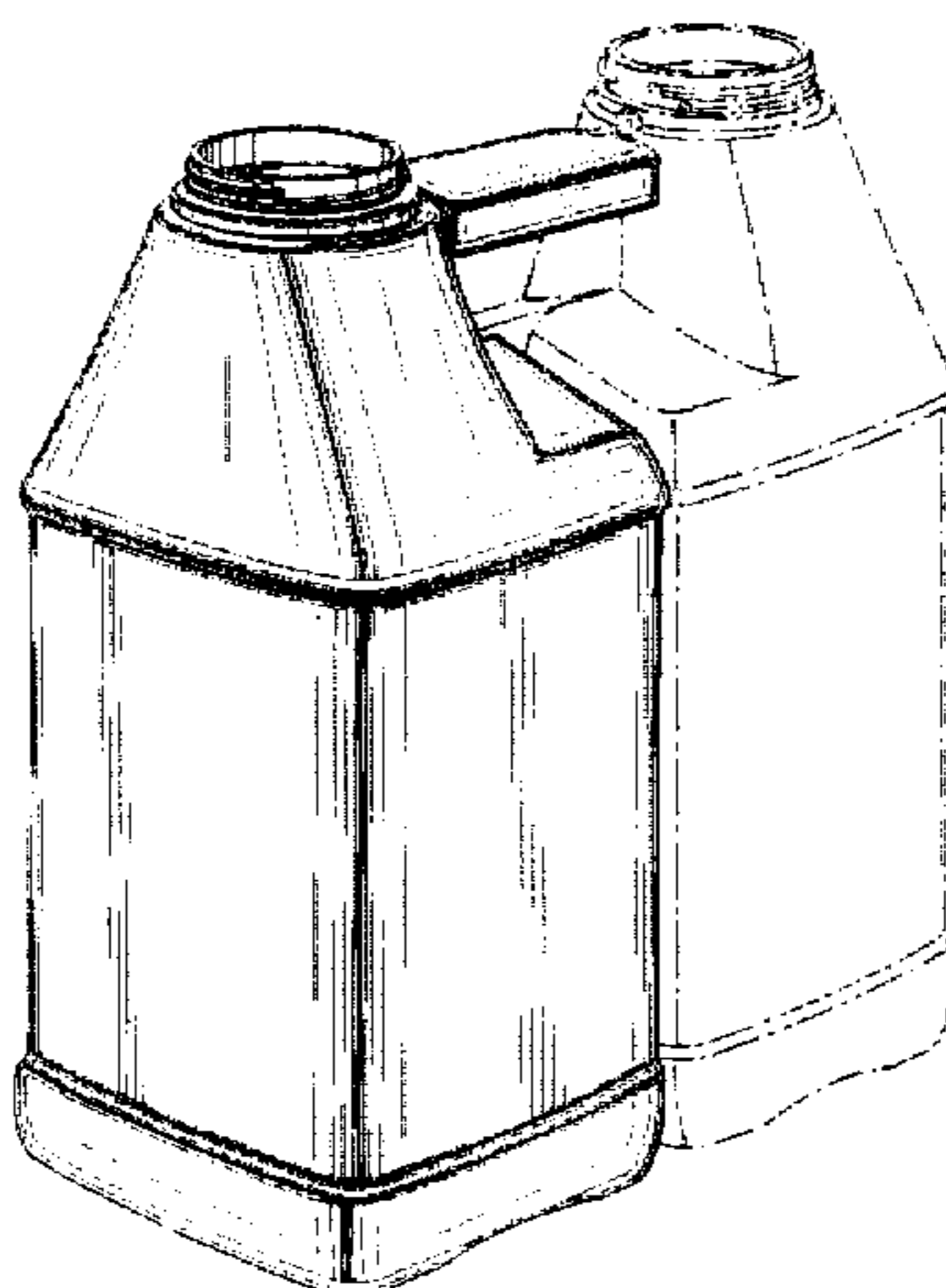
[57] CLAIM

The ornamental design for a "container", as shown and described.

DESCRIPTION

FIG. 1 is a front perspective view of the container according to this invention showing our new design therefor; FIG. 2 is a front elevation of the container, the rear elevation is a mirror image thereto except for the conventional screw threading on the neck; FIG. 3 is a left side elevation of the container shown in FIG. 1; FIG. 4 is a top view of the container shown in FIG. 1; and, FIG. 5 is a bottom view of the container shown in FIG. 1. The portions of the right side of the container that are not shown in the drawings do not form part of the claimed design. The broken line showing of another container body portion in the accompanying figures is for illustrative environmental purposes only and forms no part of our claimed design.

1 Claim, 4 Drawing Sheets



U.S. PATENT DOCUMENTS

4,274,556	6/1981	Thiessen .	4,805,814	2/1989	Allen, Sr. .
4,294,372	10/1981	Onishi .	4,860,927	8/1989	Grinde .
4,509,639	4/1985	Thompson .	4,881,652	11/1989	Schiemann .
4,548,339	10/1985	Gorman .	4,889,255	12/1989	Schiemann .
4,691,828	9/1987	Slusarczyk et al. .	5,117,997	6/1992	Fink .
			5,301,829	4/1994	Chrisco .

FIG. 1

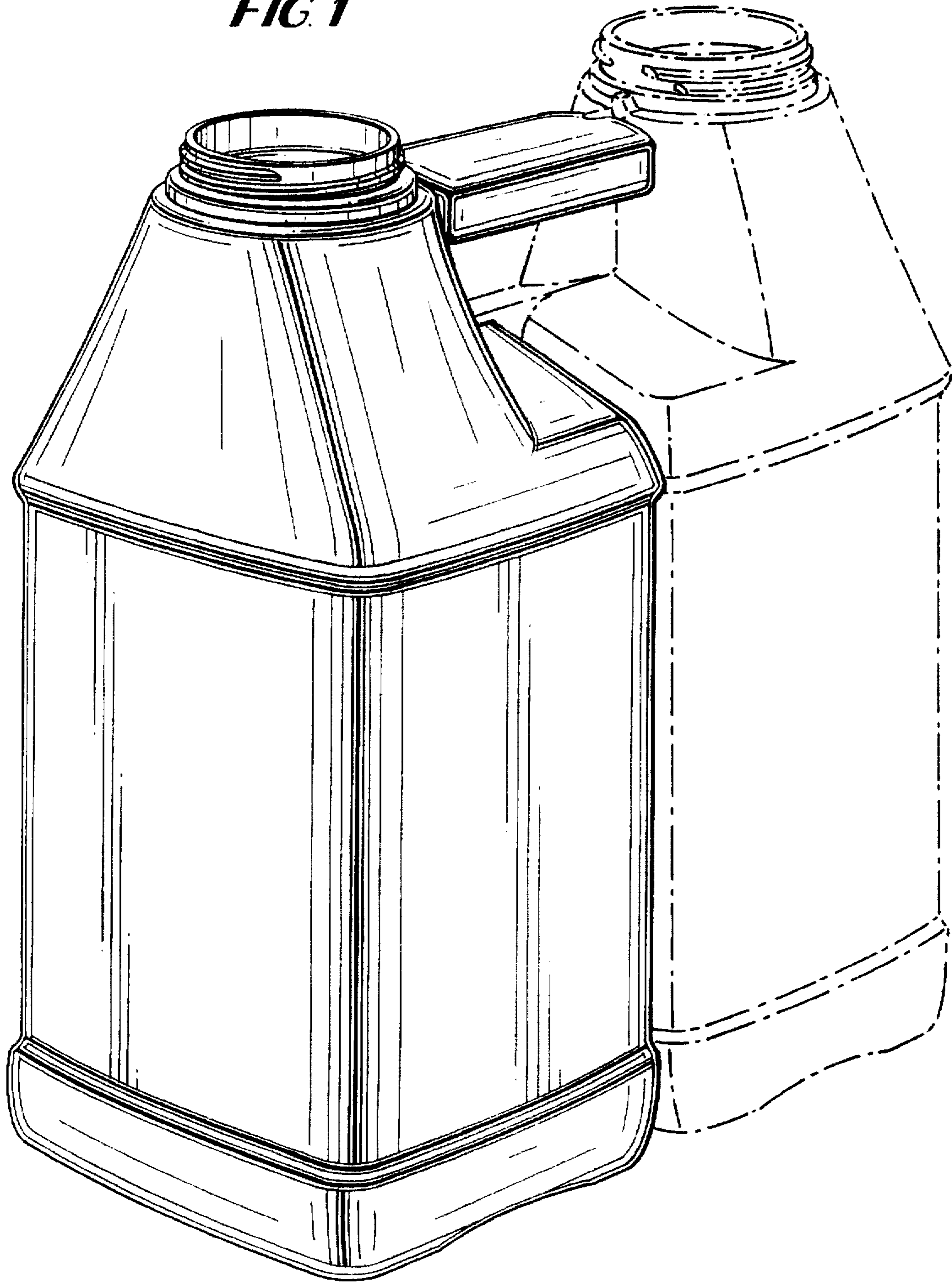


FIG. 2

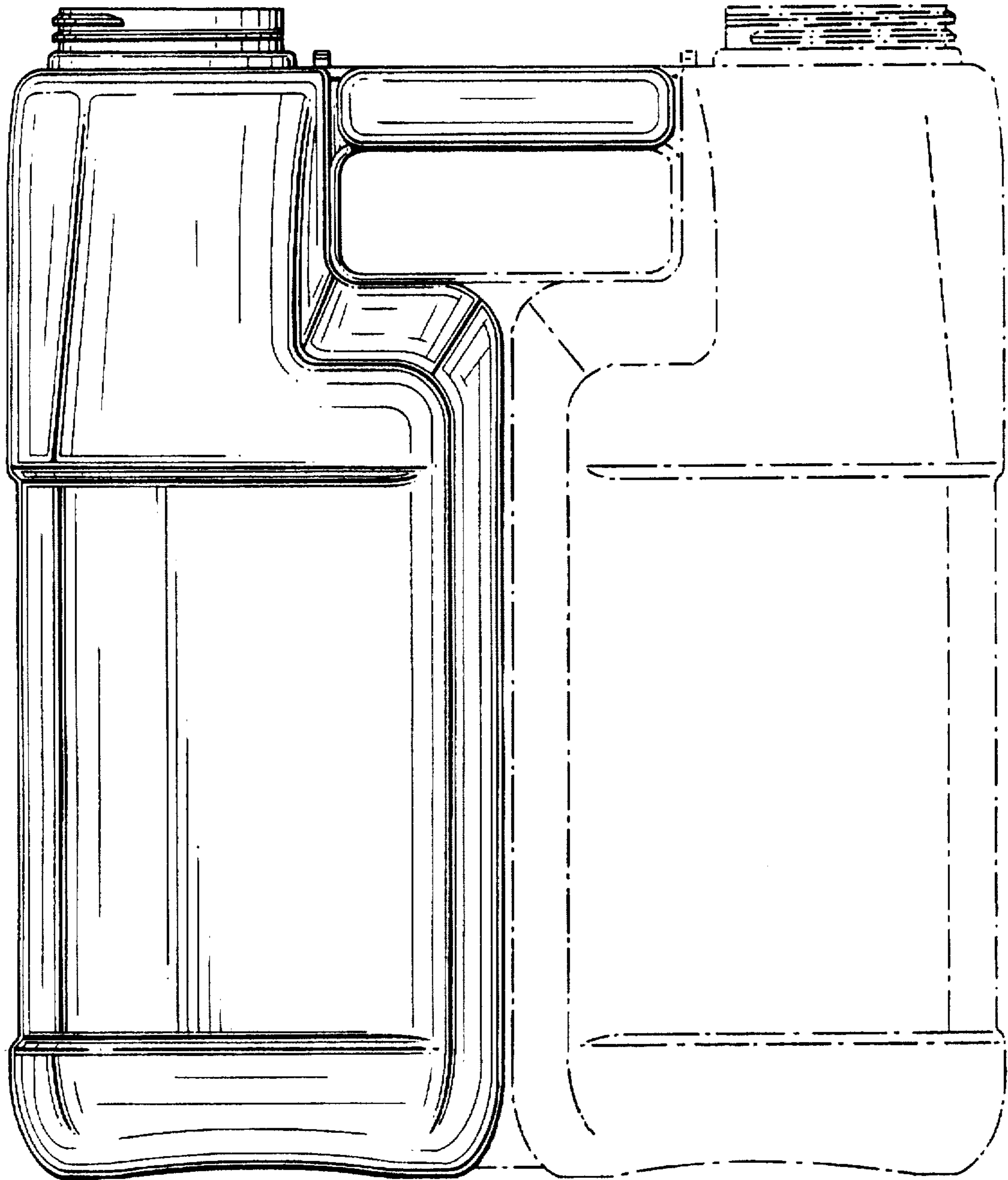
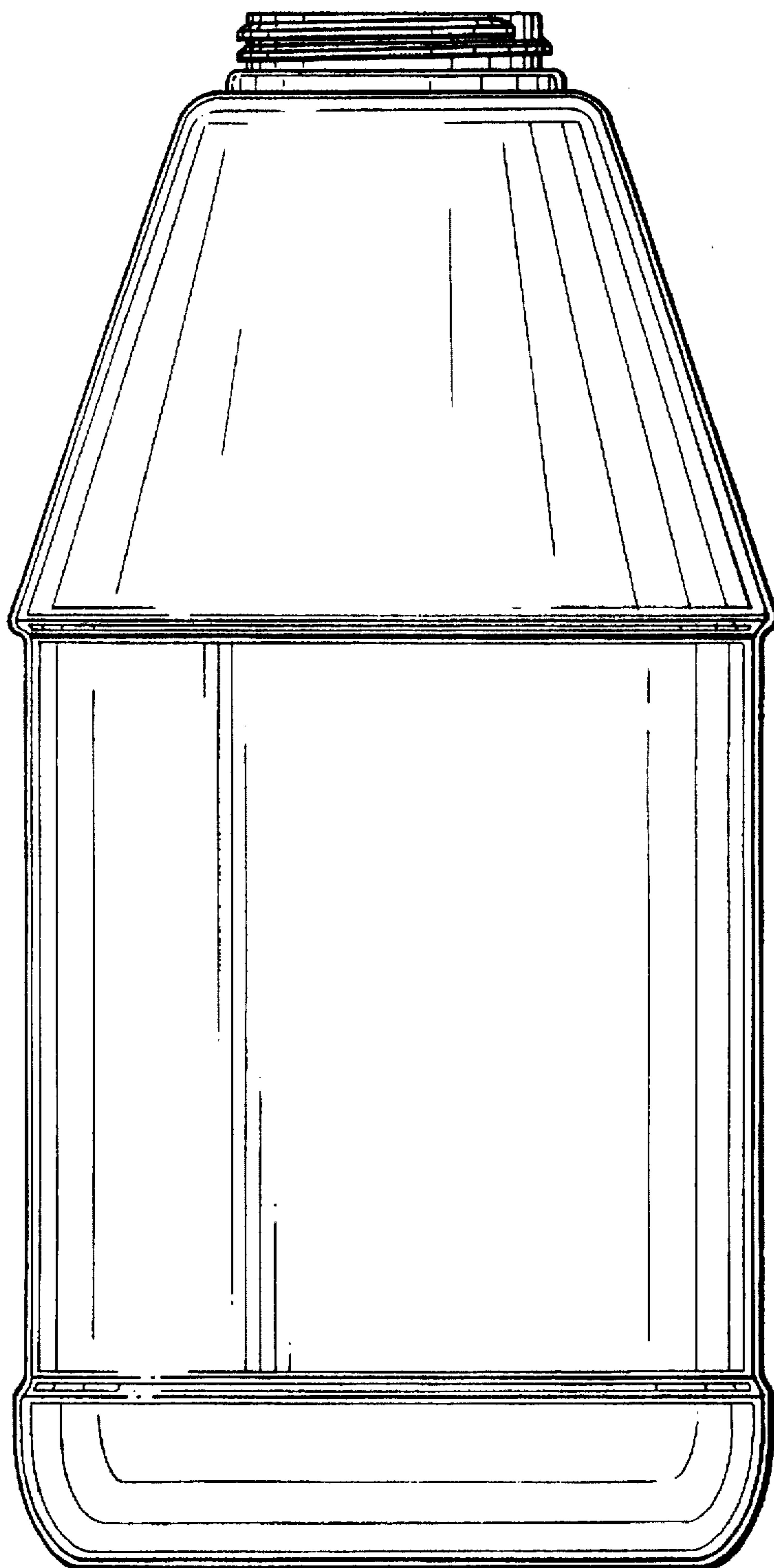


FIG. 3



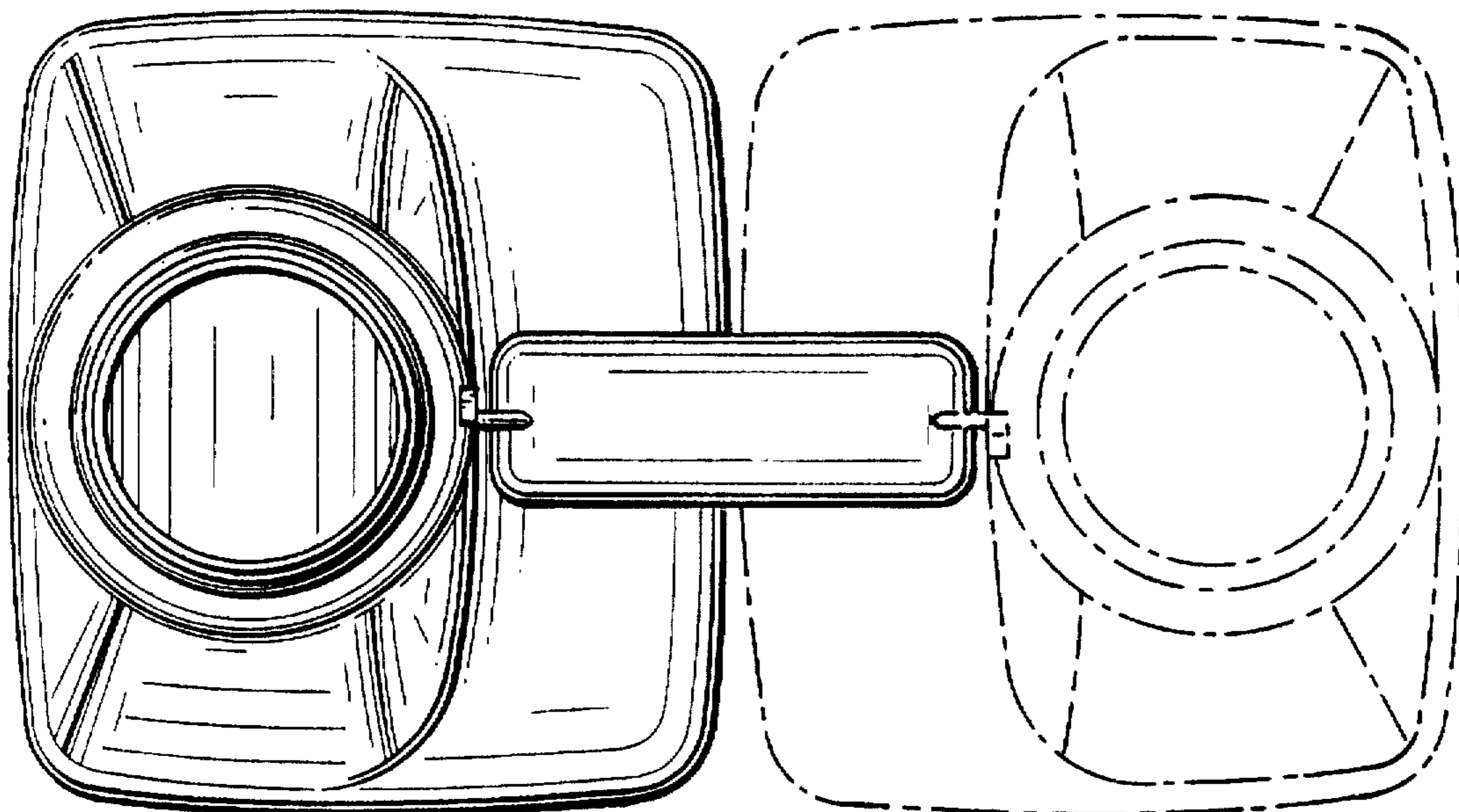


FIG. 4

FIG. 5

