



US00D390111S

United States Patent [19]
McCarrick et al.

[11] **Patent Number:** **Des. 390,111**
[45] **Date of Patent:** ****Feb. 3, 1998**

[54] **INVENTORY CONTROL COLLAR**

Primary Examiner—Antoine Duval Davis
Attorney, Agent, or Firm—Harold E. Meier

[75] **Inventors:** **Henry Jemison McCarrick**, Fallbrook;
Kevin Cochrane Ross, San Clemente,
both of Calif.; **Douglas N. Laube**,
Nevada, Tex.

[57] **CLAIM**

The ornamental design for an inventory control collar, as shown and described.

[73] **Assignee:** **Span Instruments, Inc.**, Plano, Tex.

DESCRIPTION

[**] **Term:** **14 Years**

[21] **Appl. No.:** **57,078**

FIG. 1 is a top view of an inventory control collar showing my new design;

[22] **Filed:** **Jul. 16, 1996**

FIG. 2 is a front view thereof;

[51] **LOC (6) Cl.** **09-03**

FIG. 3 is a rear view thereof;

[52] **U.S. Cl.** **D9/434; D10/103**

FIG. 4 is a side view thereof;

[58] **Field of Search** **D10/103; D9/447,**
D9/456, 434; 40/310; 403/343; 235/385,
380; 220/733

FIG. 5 is a bottom view thereof; and,

FIG. 6 is a perspective view thereof.

[56] **References Cited**

U.S. PATENT DOCUMENTS

3,239,113 3/1966 Knize D9/447 X

1 Claim, 2 Drawing Sheets

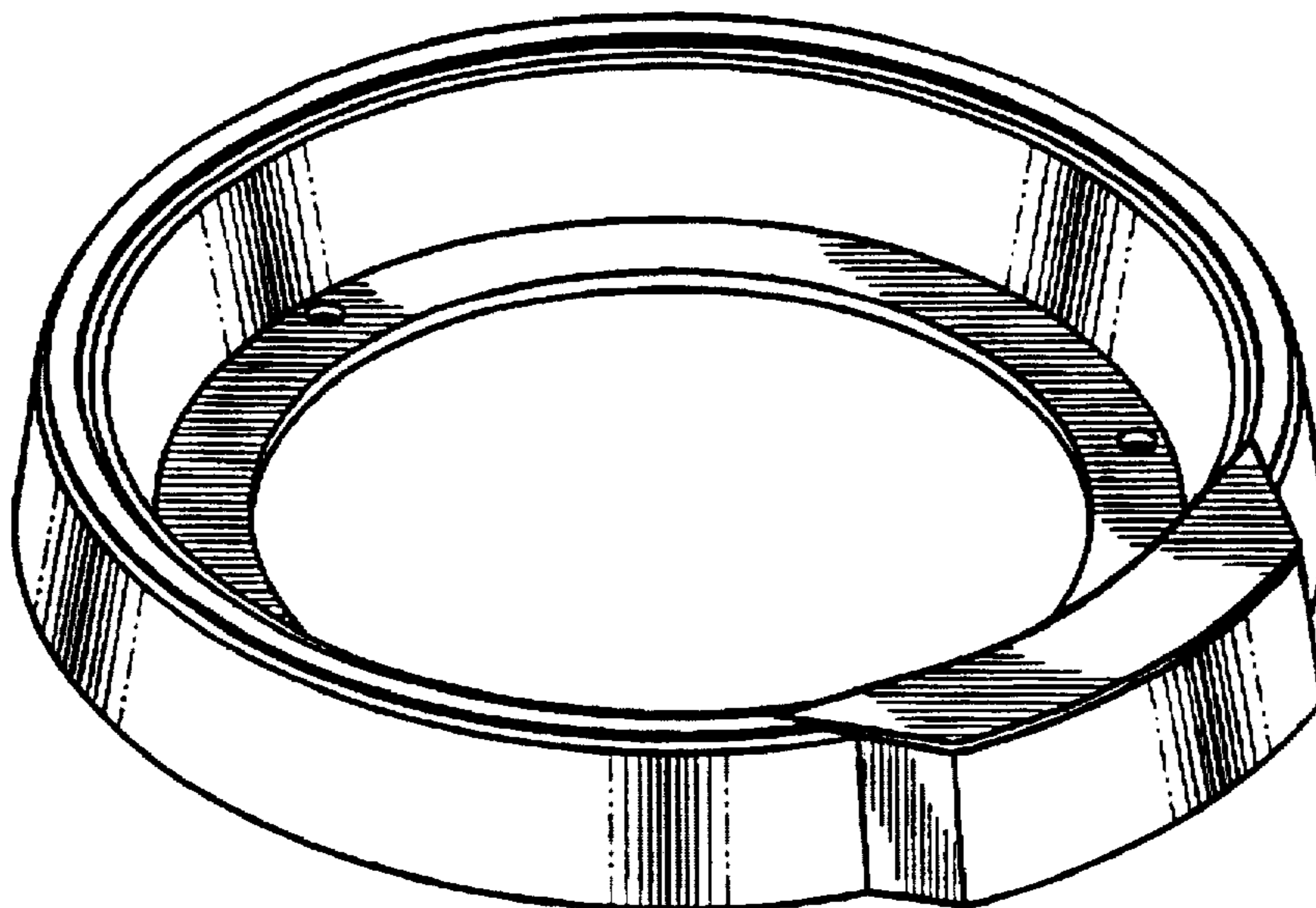


Fig.1

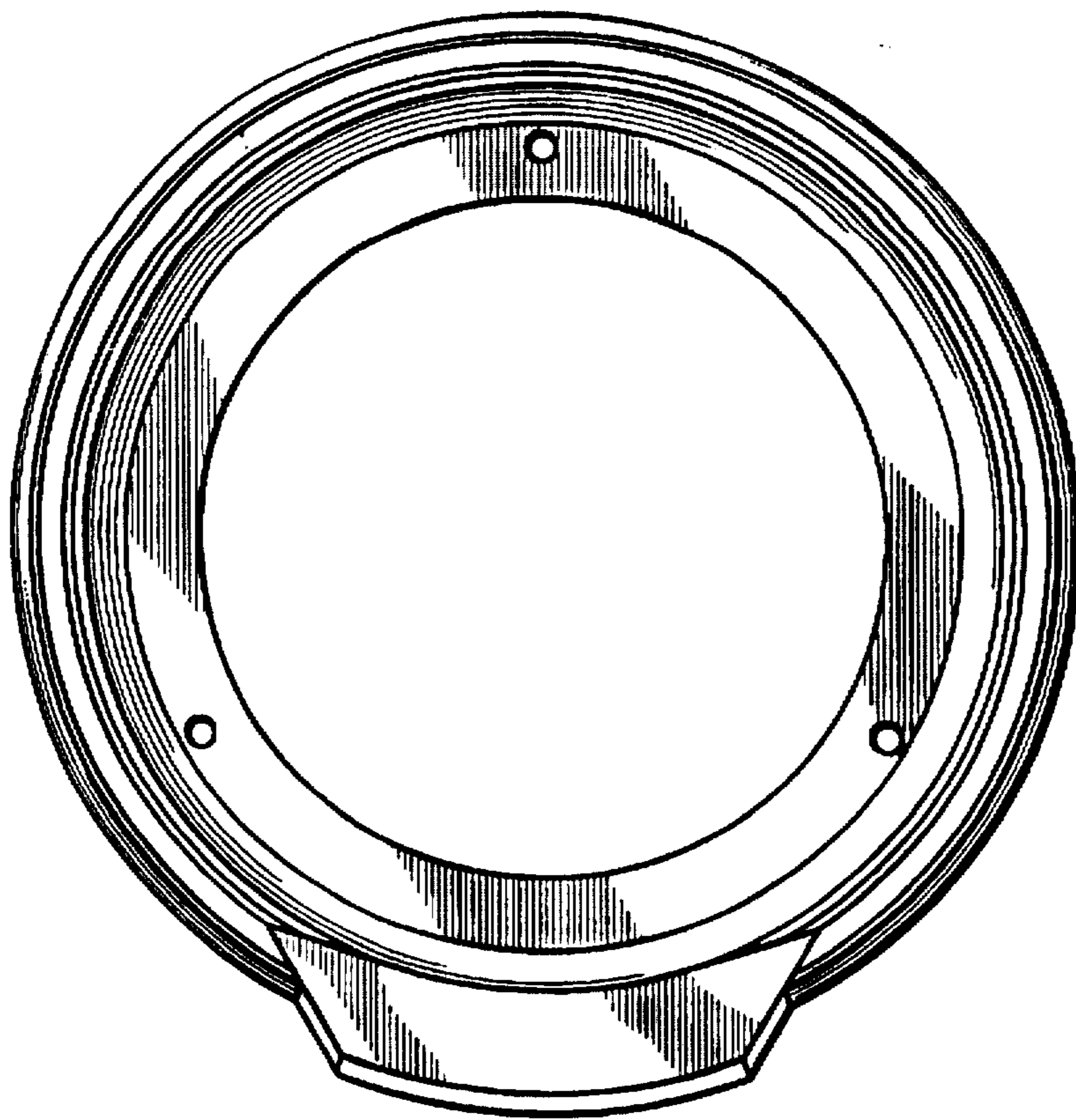


Fig.2

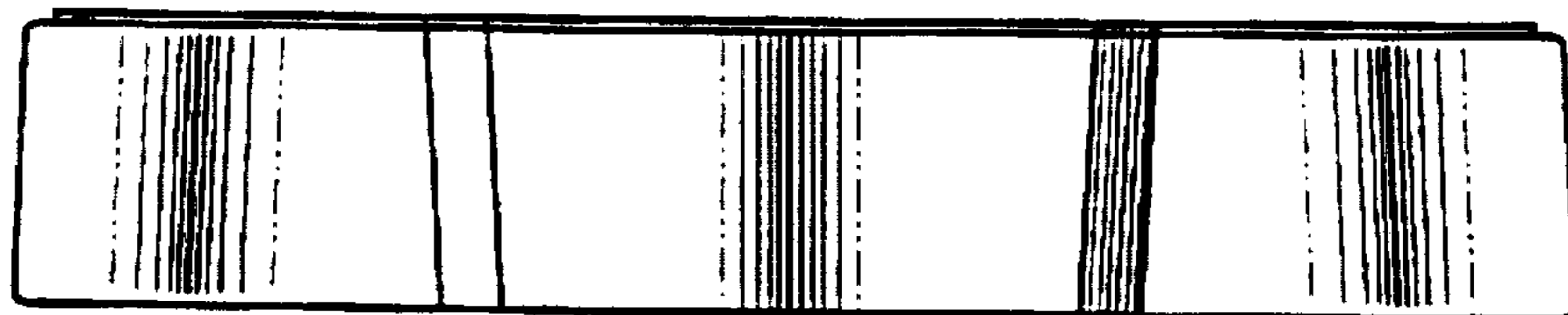


Fig.3

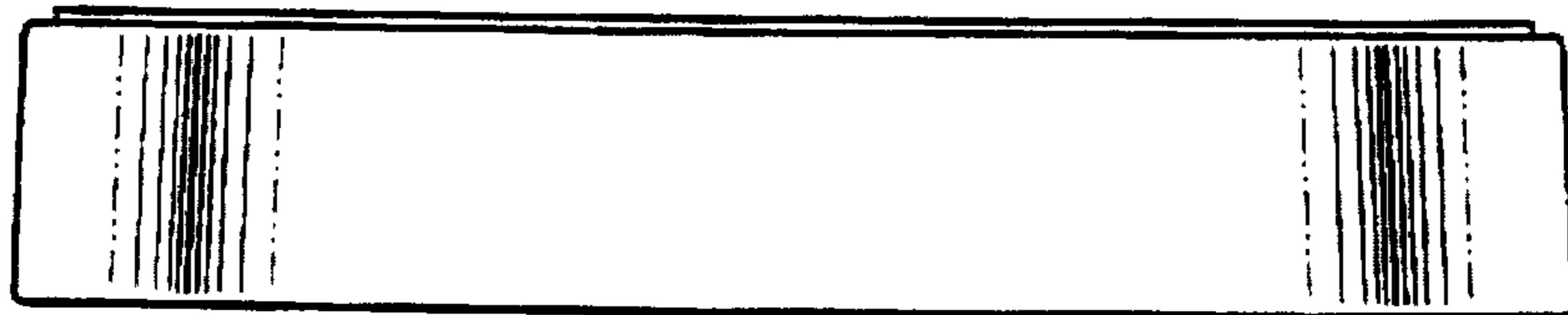
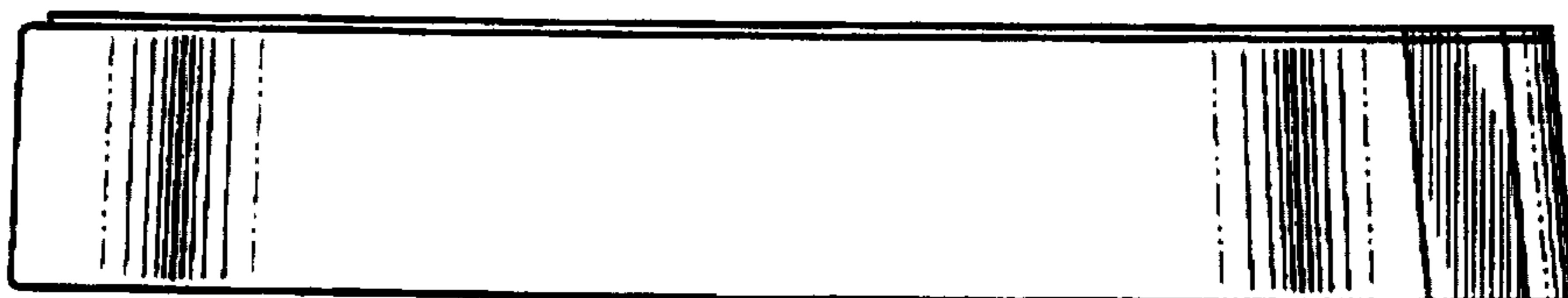


Fig.4



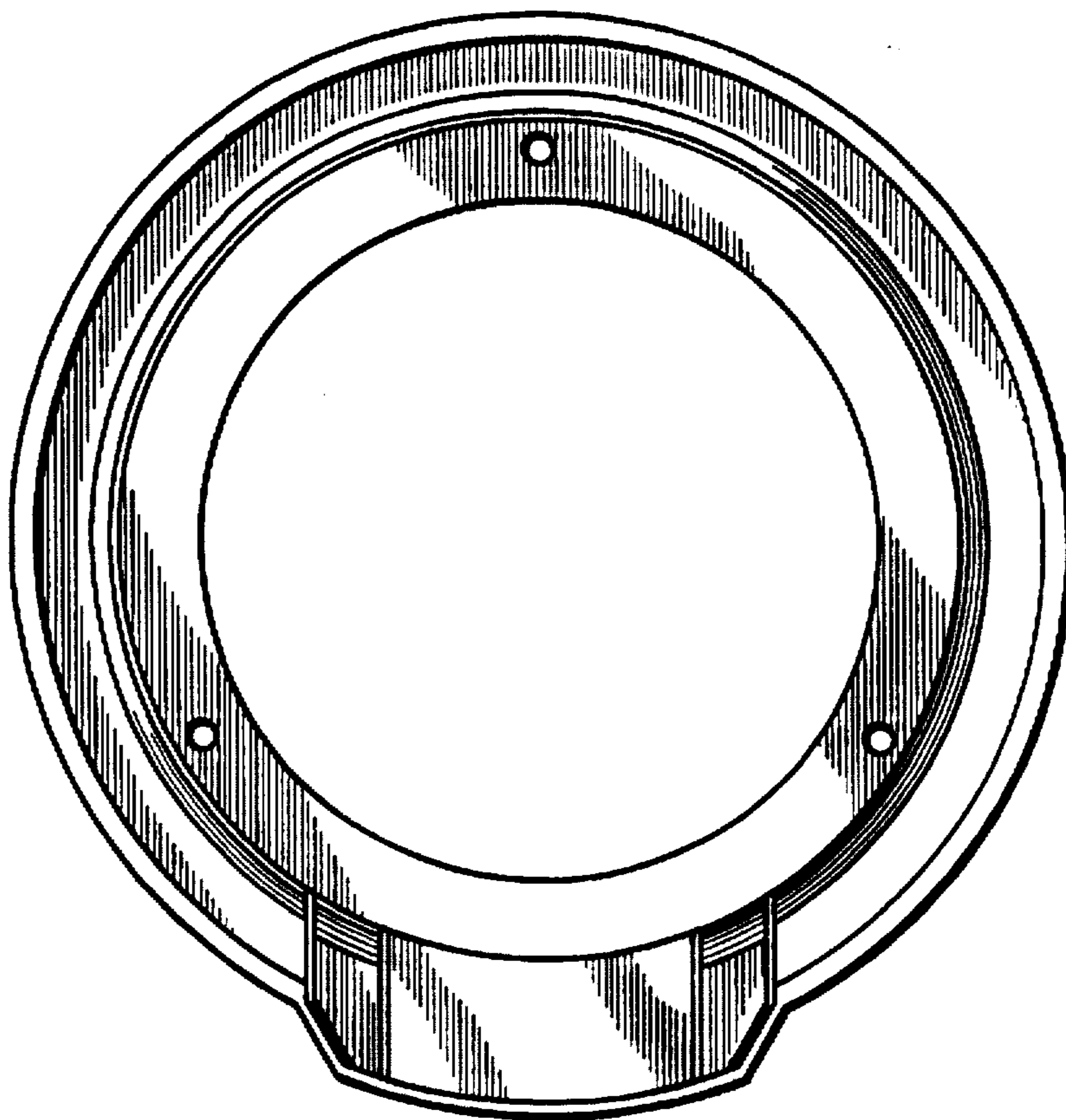


Fig.5

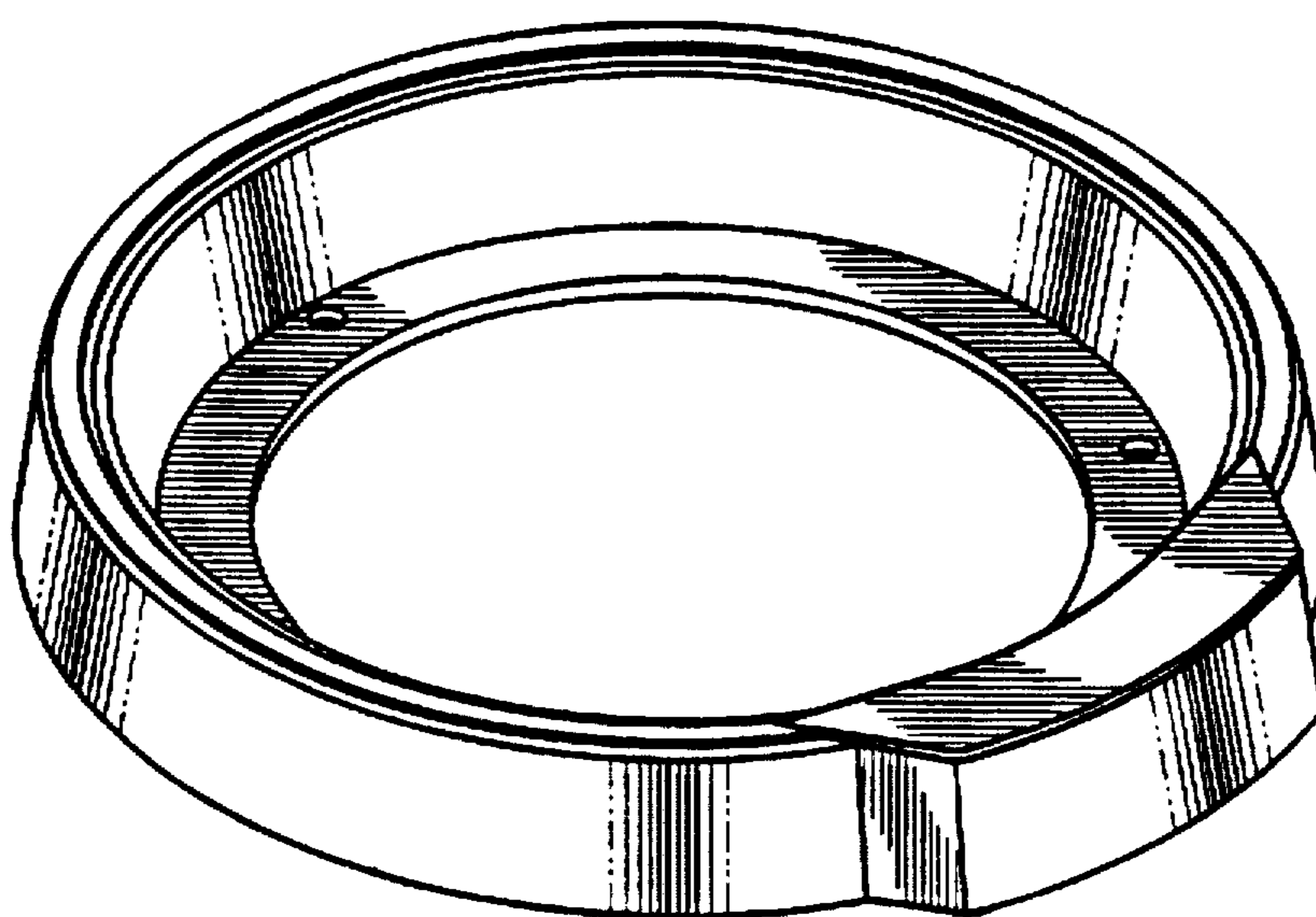


Fig.6