



US00D390108S

# United States Patent [19]

[11] Patent Number: **Des. 390,108**

Landis et al.

[45] Date of Patent: **\*\*Feb. 3, 1998**

## [54] DISPLAY BOX

[75] Inventors: **Kenneth J. Landis, Hudson; David A. Shack, Beachwood, both of Ohio**

[73] Assignee: **Allied Decals, Inc., Twinsburg, Ohio**

[\*\*] Term: **14 Years**

[21] Appl. No.: **48,982**

[22] Filed: **Jan. 11, 1996**

[51] LOC (6) Cl. .... **09-07**

[52] U.S. Cl. .... **D9/415; D9/432; D9/423**

[58] Field of Search ..... **D9/345, 341, 432, D9/423, 337, 422, 415; D3/273, 201, 218; 206/232, 308.1, 308.2, 308.3, 307, 387.13, 472, 493, 806; D6/407; 229/87.01, 87.18, 87.19**

## [56] References Cited

### U.S. PATENT DOCUMENTS

D. 263,794	4/1982	Yoshizawa .	
D. 271,161	11/1983	Compton .	
D. 275,654	9/1984	Yoshizawa .	
D. 279,355	6/1985	Ujiiie .	
D. 310,024	8/1990	Maschino .	
D. 327,004	6/1992	Nadel .	
D. 364,346	11/1995	Yamada .....	D9/432
1,830,342	11/1931	Stokes .....	229/87.18 X
2,205,262	6/1940	Hayes .	
2,544,783	3/1951	Freedman et al. .	
4,433,780	2/1984	Ellis .	
4,648,507	3/1987	Komiyama et al. ....	206/232
5,096,058	3/1992	Juravin et al. ....	206/232
5,103,978	4/1992	Secor .....	206/308.3 X
5,353,921	10/1994	Tyra .....	206/6.1
5,370,223	12/1994	Leicht, Jr. ....	206/232
5,458,235	10/1995	Stone .....	206/232

### OTHER PUBLICATIONS

Current Menagerie ad—Jan. 1986.

Primary Examiner—Prabhakak G. Deshmukh  
Attorney, Agent, or Firm—Renner, Otto, Boisselle & Sklar, P.L.L.

## [57] CLAIM

The ornamental design of a display box, as shown and described.

## DESCRIPTION

FIG. 1 is a perspective illustration of a display box showing our new design;

FIG. 2 is a front elevation view of the box of FIG. 1;

FIG. 3 is an end elevation view looking from the right of the box of FIG. 1;

FIG. 4 is an end elevation view looking from the left end of the box of FIG. 1;

FIG. 5 is a top plan view of the box of FIG. 1;

FIG. 6 is a bottom plan view of the box of FIG. 1;

FIG. 7 is a rear elevation view of the box of FIG. 1;

FIG. 8 is a perspective illustration of a second embodiment of FIG. 1;

FIG. 9 is a front elevation view of the box of FIG. 8;

FIG. 10 is an end elevation view looking from the right end of FIG. 8;

FIG. 11 is an end elevation view from the left end of the box of FIG. 8

FIG. 12 is a top plan view of the box of FIG. 8;

FIG. 13 is a bottom plan view of the box of FIG. 8;

FIG. 14 is a rear elevation view of the box of FIG. 8;

FIG. 15 is a perspective illustration of a third embodiment of FIG. 1;

FIG. 16 is a front elevation view of the box of FIG. 15;

FIG. 17 is an end elevation view of the box looking from the right end of FIG. 15;

FIG. 18 is an end elevation view looking from the left end of FIG. 15;

FIG. 19 is a top plan view of the box of FIG. 15;

FIG. 20 is a bottom plan view of the box of FIG. 15;

FIG. 21 is a rear elevation view of the box of FIG. 15;

FIG. 22 is a perspective illustration of a fourth embodiment of FIG. 1;

FIG. 23 is a front elevation view of the box of FIG. 22;

FIG. 24 is an end elevation view looking from the right end of the box of FIG. 22;

FIG. 25 is an end elevation view looking from the left end of the box of FIG. 22;

FIG. 26 is a top plan view of the box of FIG. 22;

FIG. 27 is a bottom plan view of the box of FIG. 22;

FIG. 28 is a rear elevation view of the box of FIG. 22;

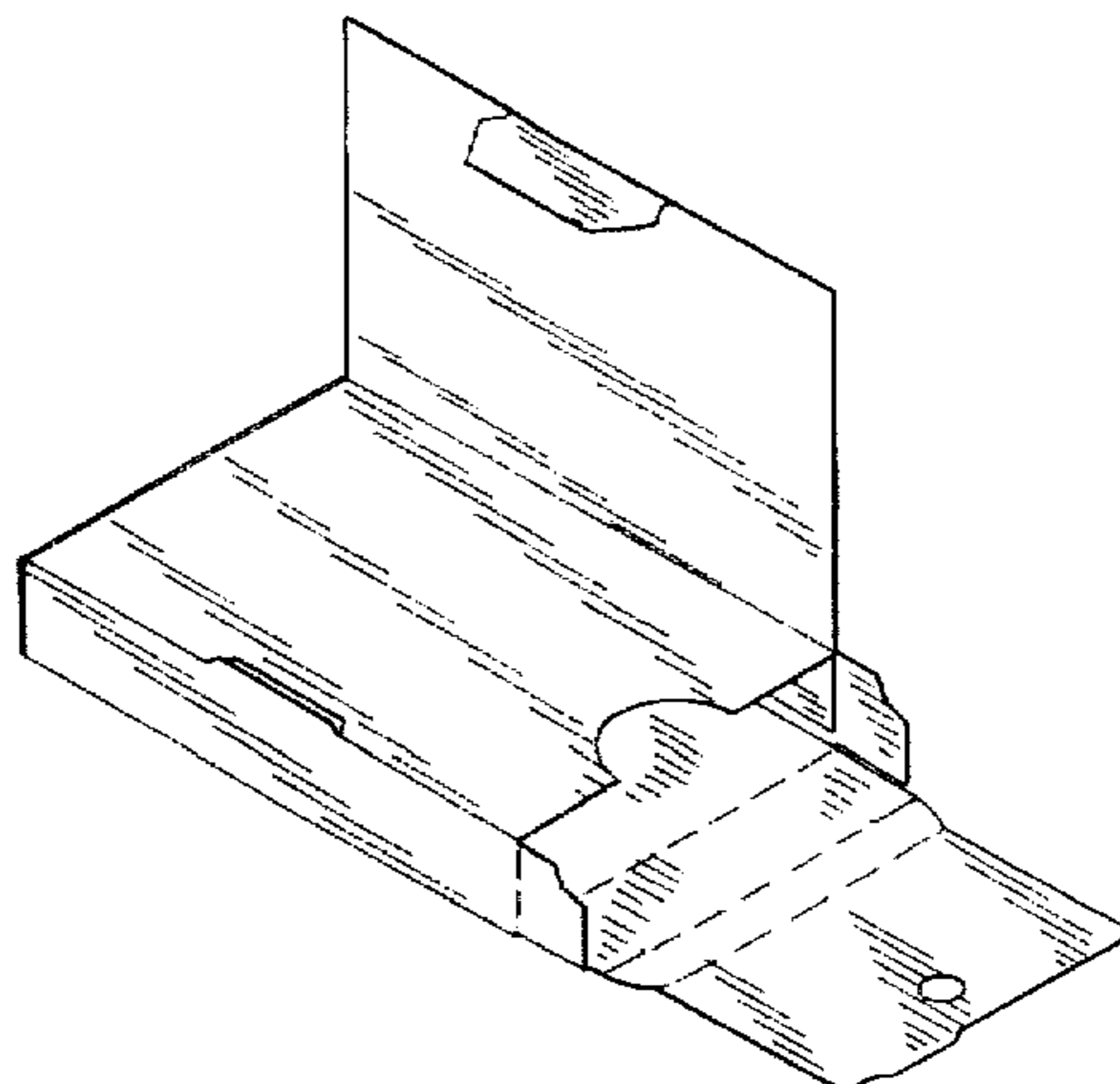


FIG. 29 is a perspective illustration of a fifth embodiment of FIG. 1;

FIG. 30 is a front elevation view of the box of FIG. 29;

FIG. 31 is an end elevation view looking from the right end of the box of FIG. 29;

FIG. 32 is an end elevation view looking from the left end of the box of FIG. 29;

FIG. 33 is a top plan view of the box of FIG. 29;

FIG. 34 is a bottom plan view of the box of FIG. 29;

FIG. 35 is a rear elevation view of the box of FIG. 29;

FIG. 36 is a perspective illustration of a sixth embodiment of FIG. 1;

FIG. 37 is a front elevation view of the box of FIG. 36;

FIG. 38 is an end elevation view looking from the right end of the box of FIG. 36;

FIG. 39 is an end elevation view looking from the left end of the box of FIG. 36;

FIG. 40 is a top plan view of the box of FIG. 36;

FIG. 41 is a bottom plan view of the box of FIG. 36; and,

FIG. 42 is a rear elevation view of the box of FIG. 36.

The broken lines represent fold lines.

**1 Claim, 24 Drawing Sheets**

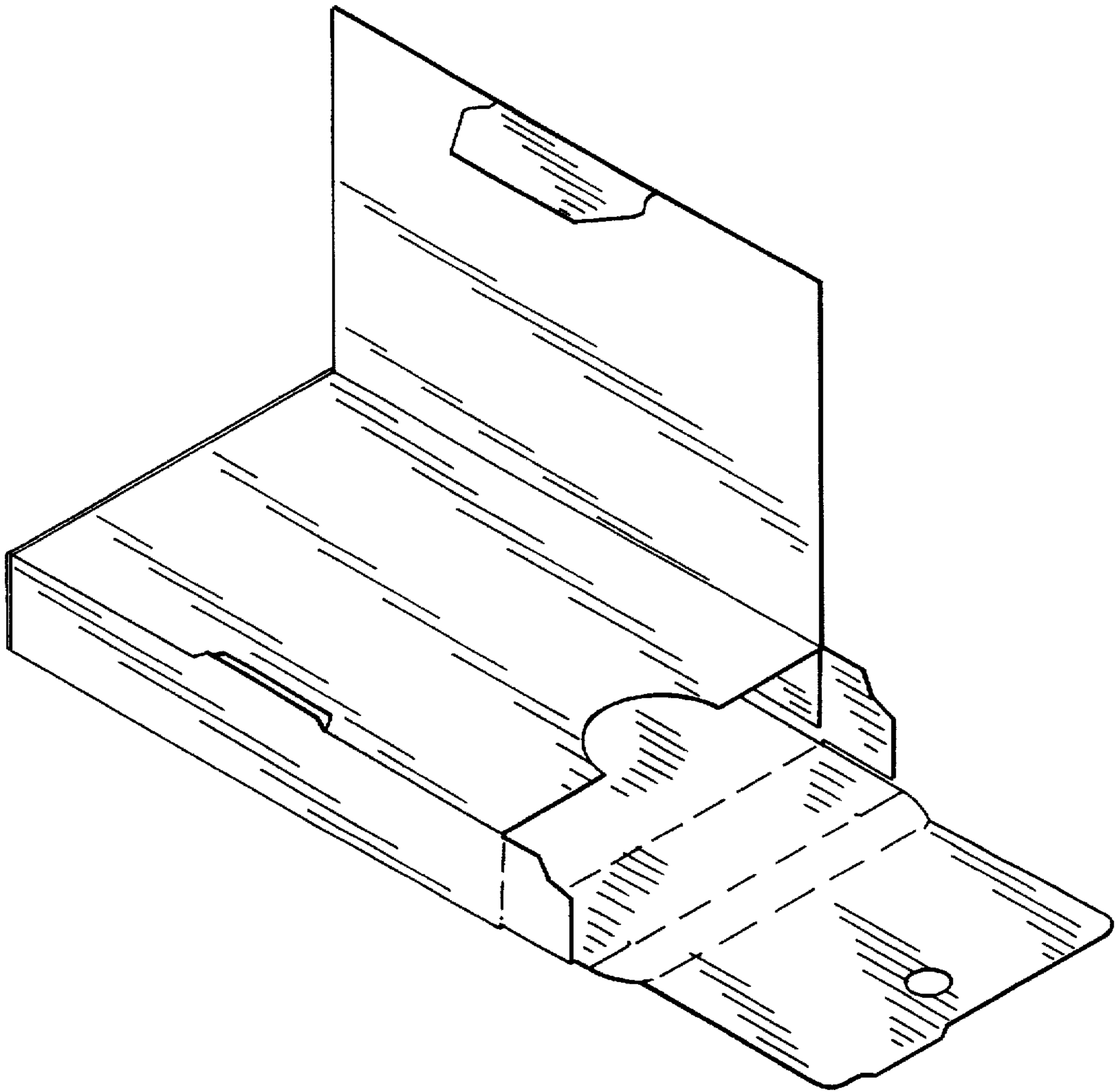


FIG. 1

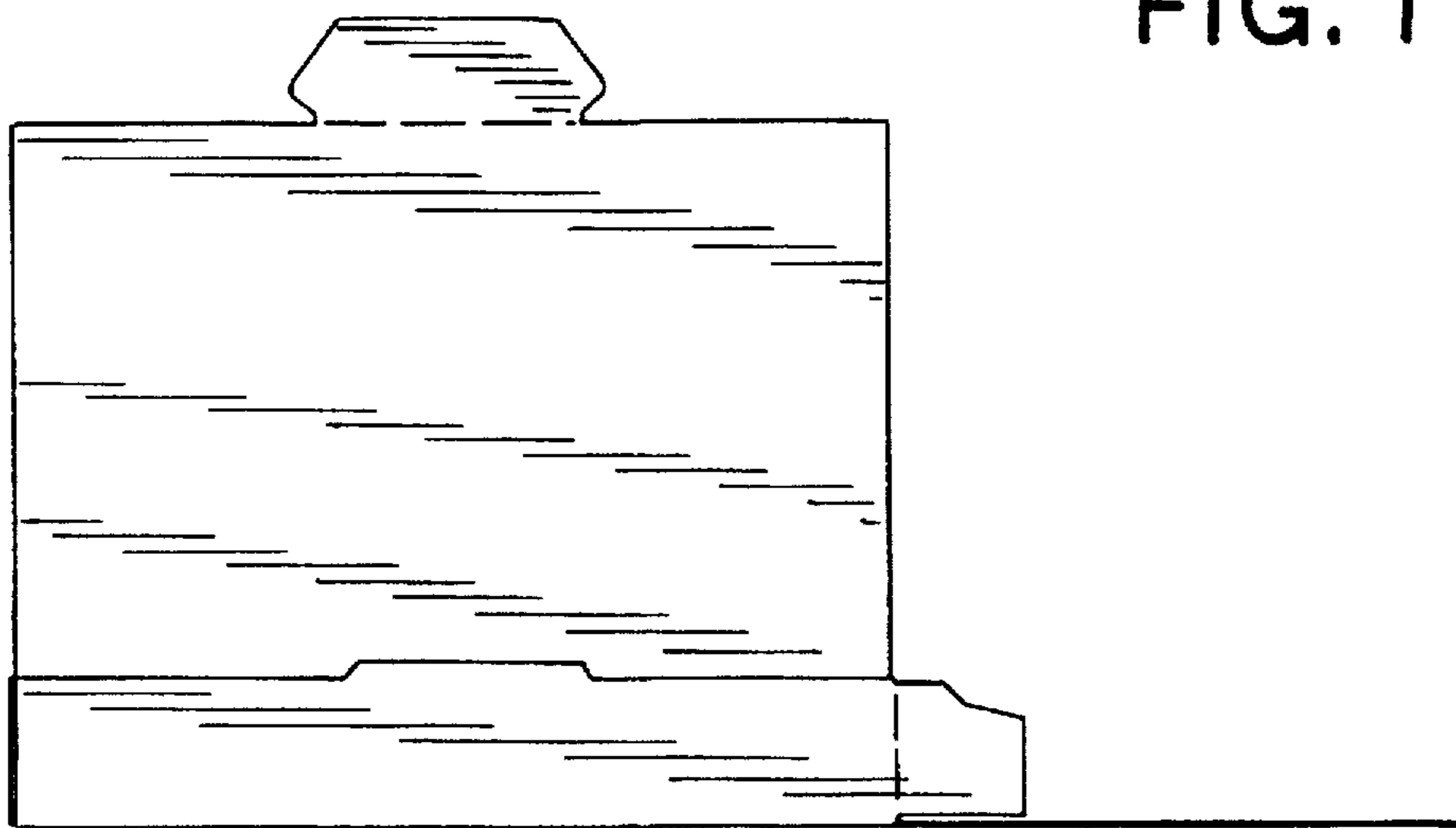


FIG. 2

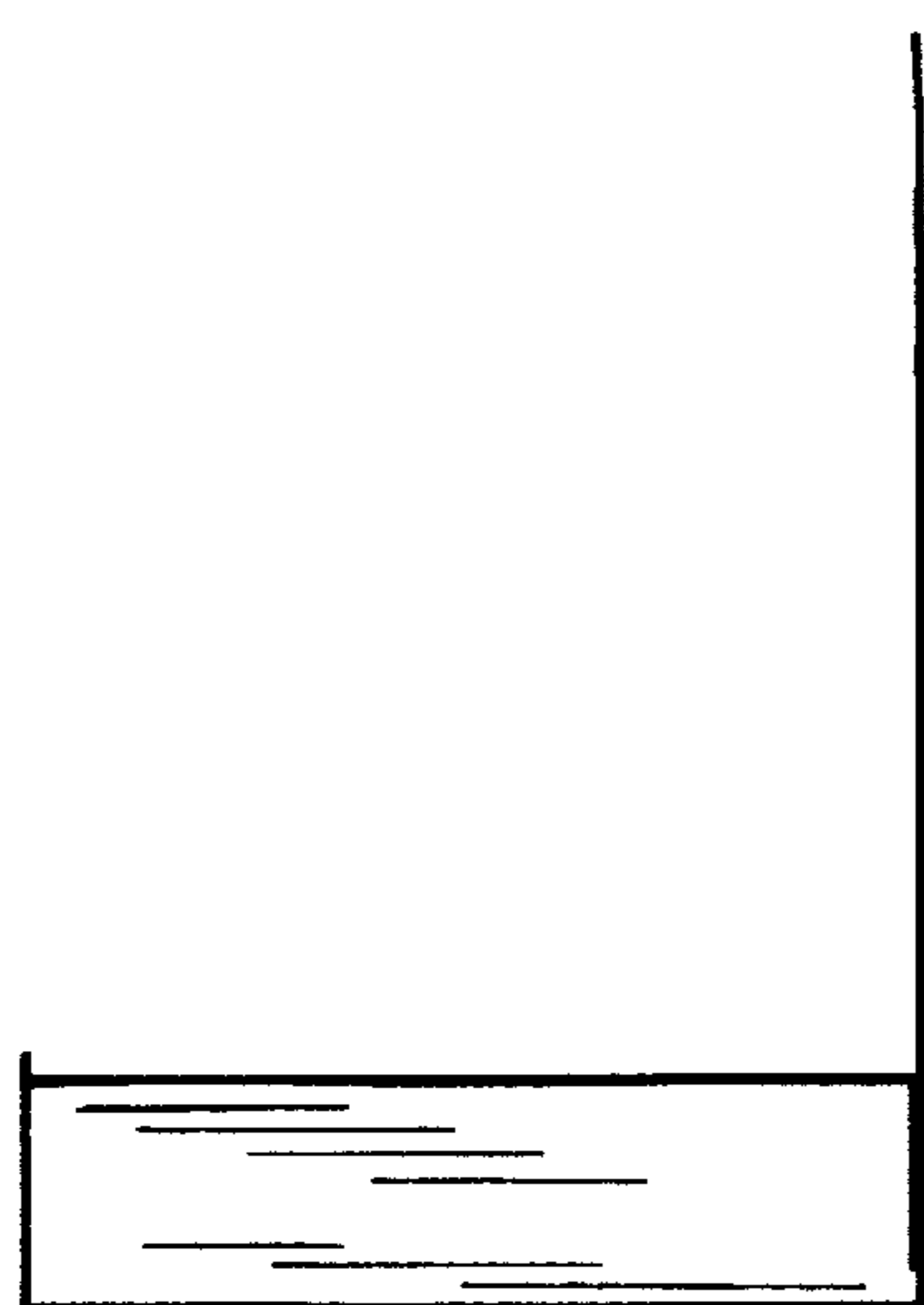


FIG. 3

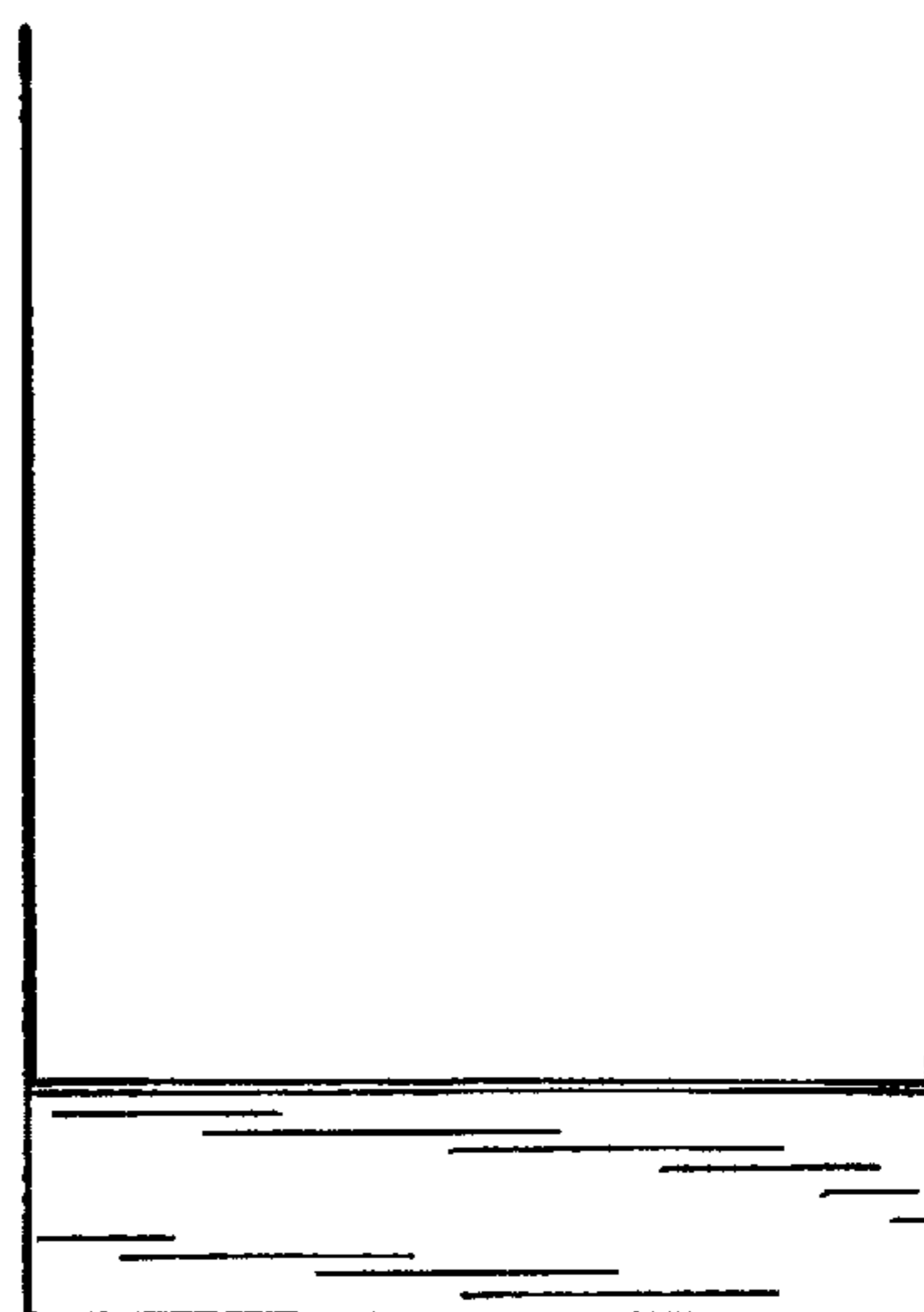


FIG. 4

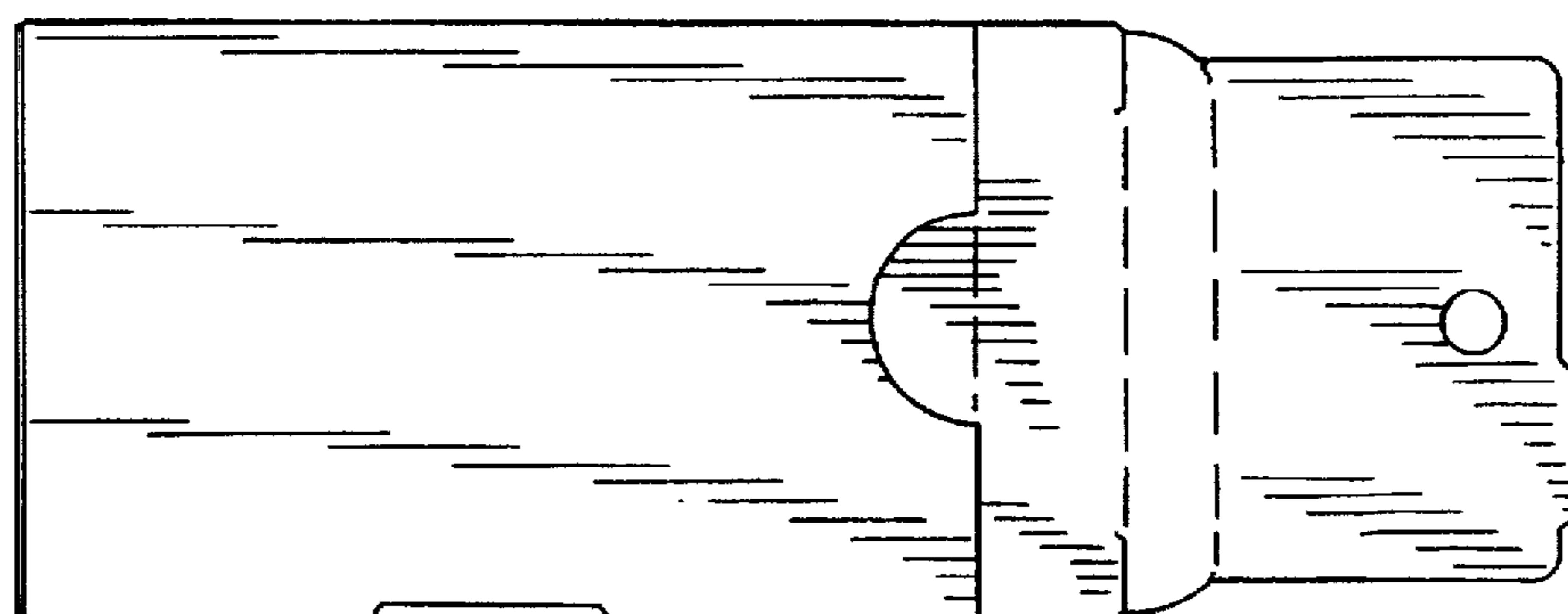


FIG. 5

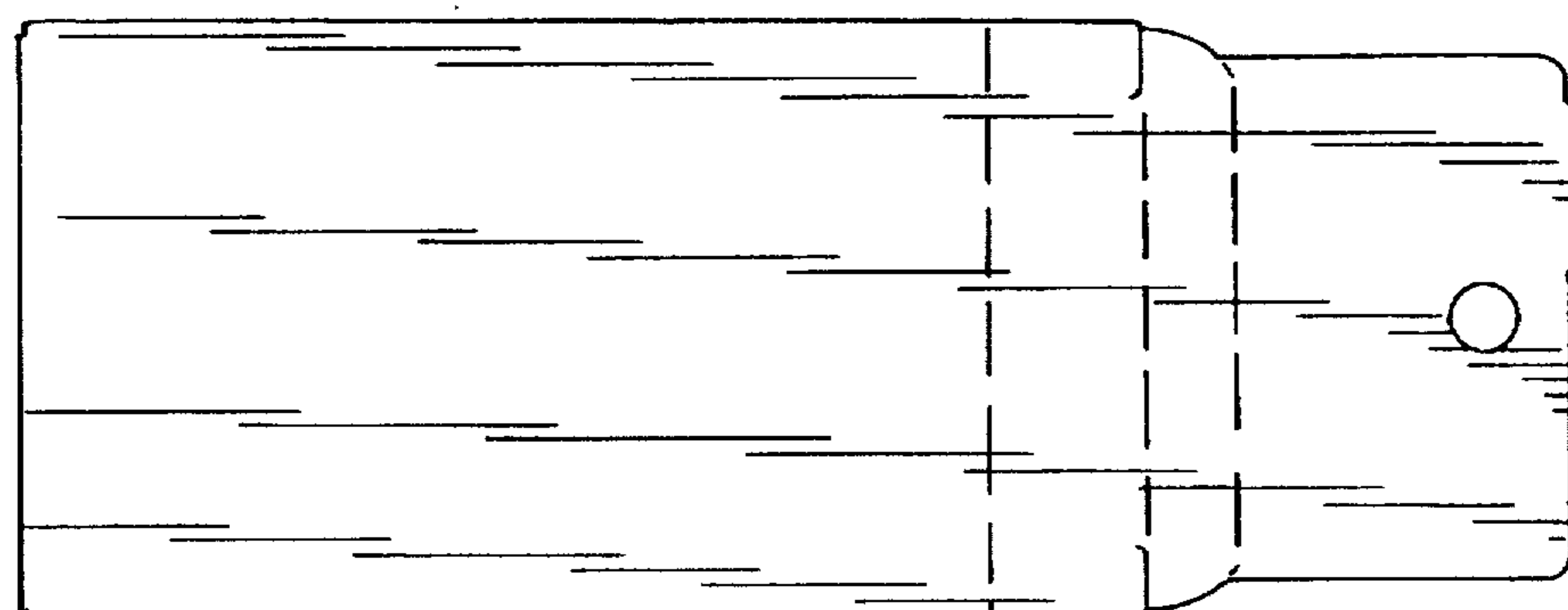


FIG. 6

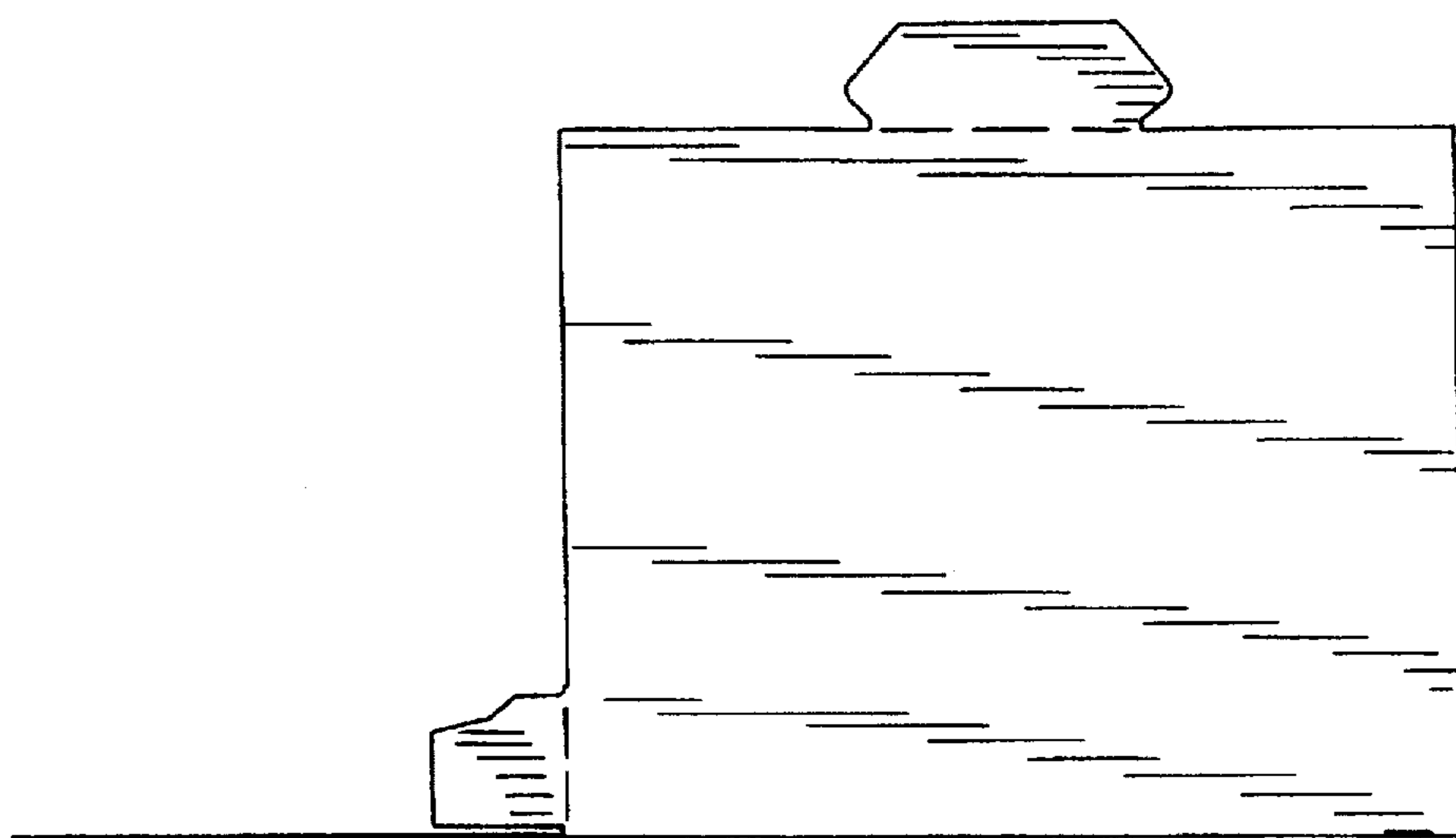


FIG. 7

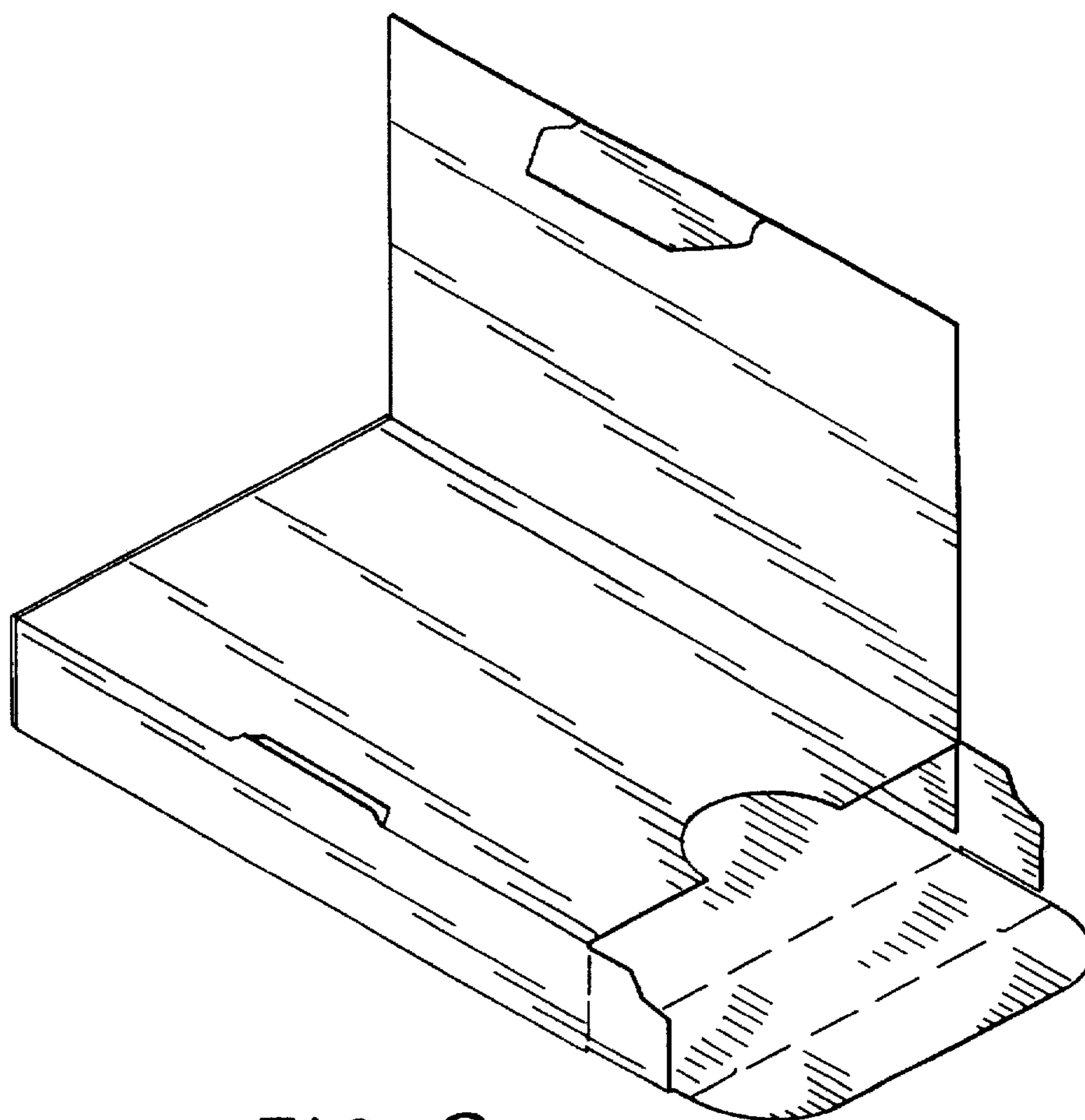


FIG. 8

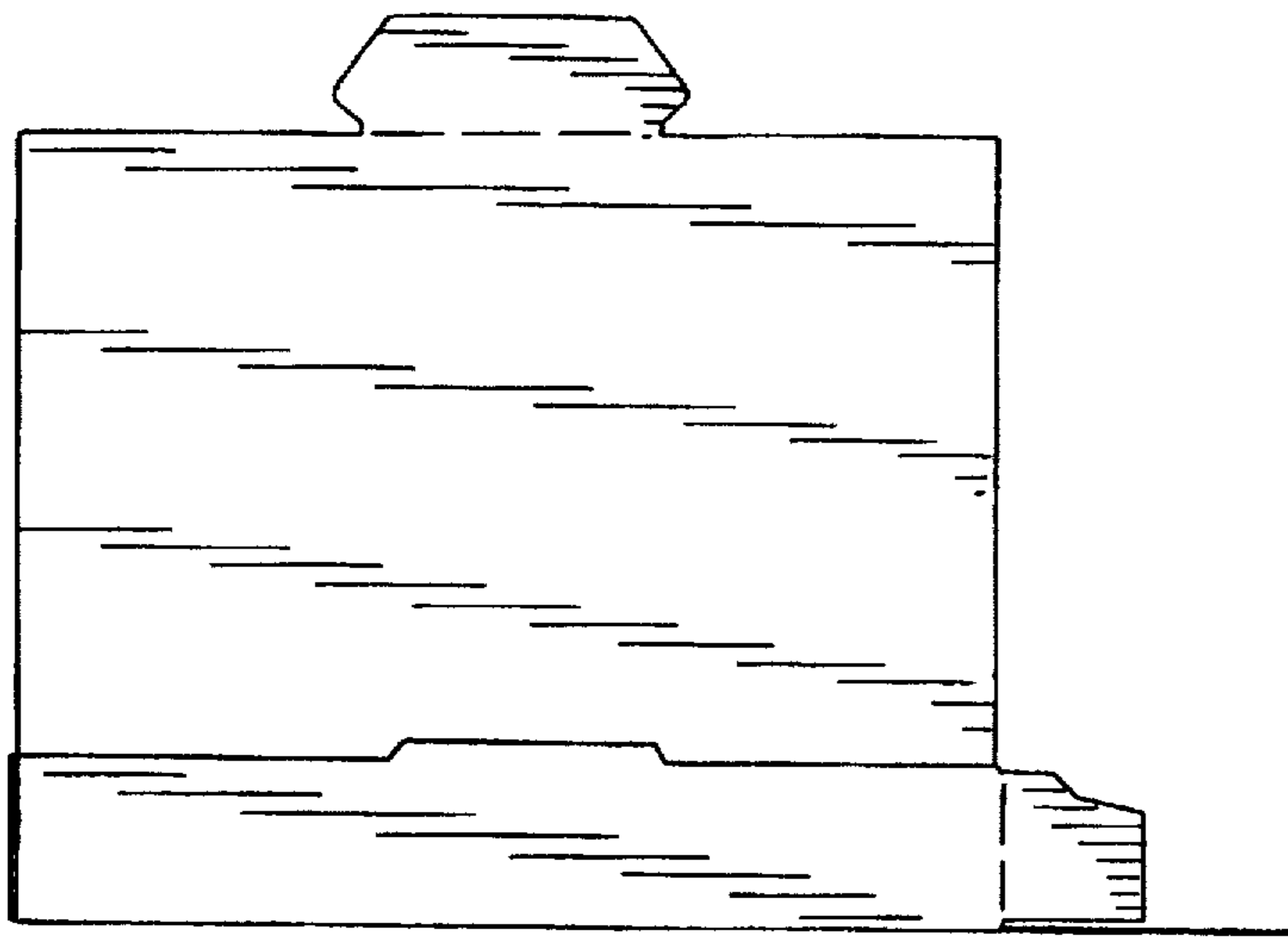


FIG. 9

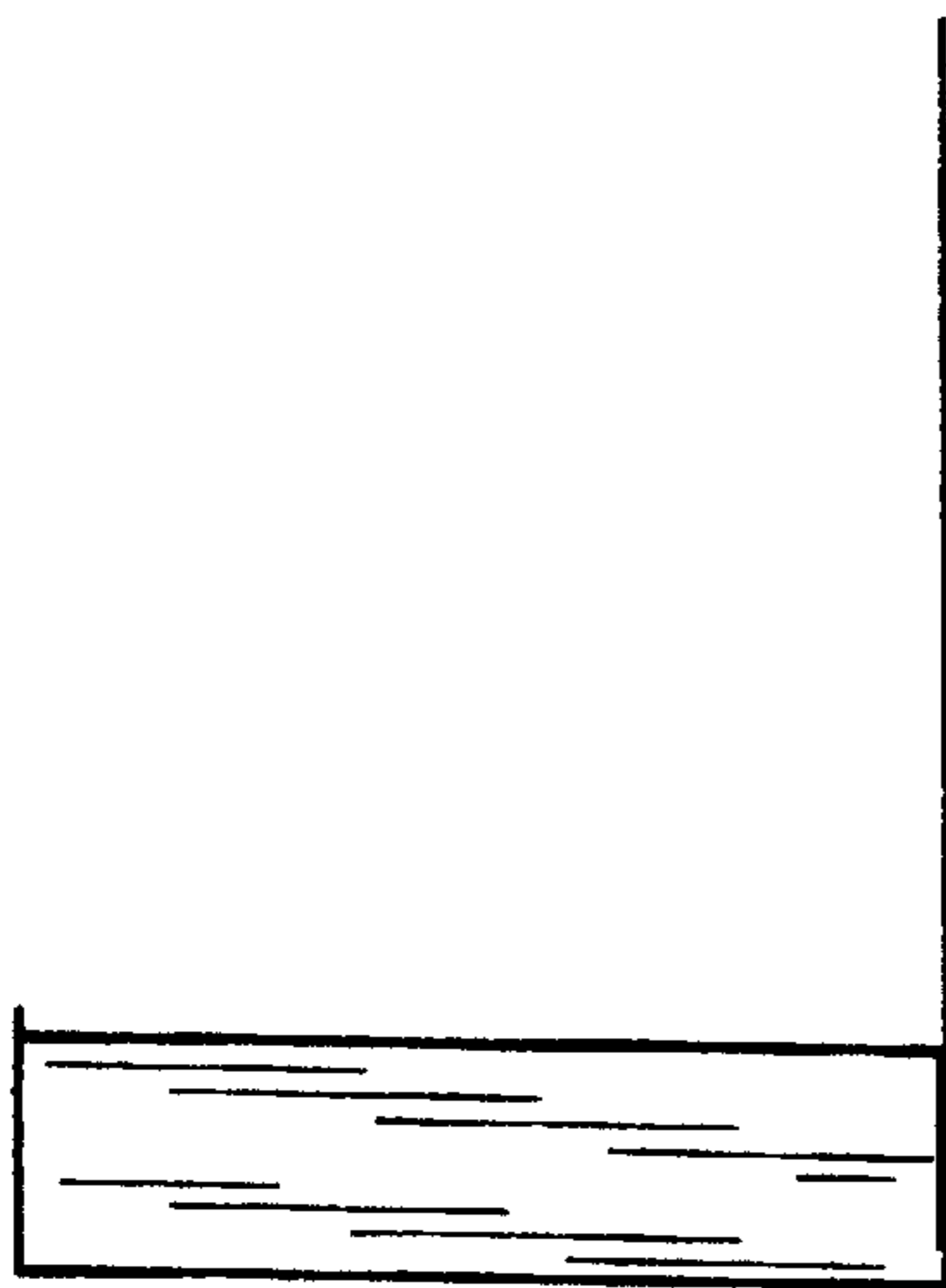


FIG. 10

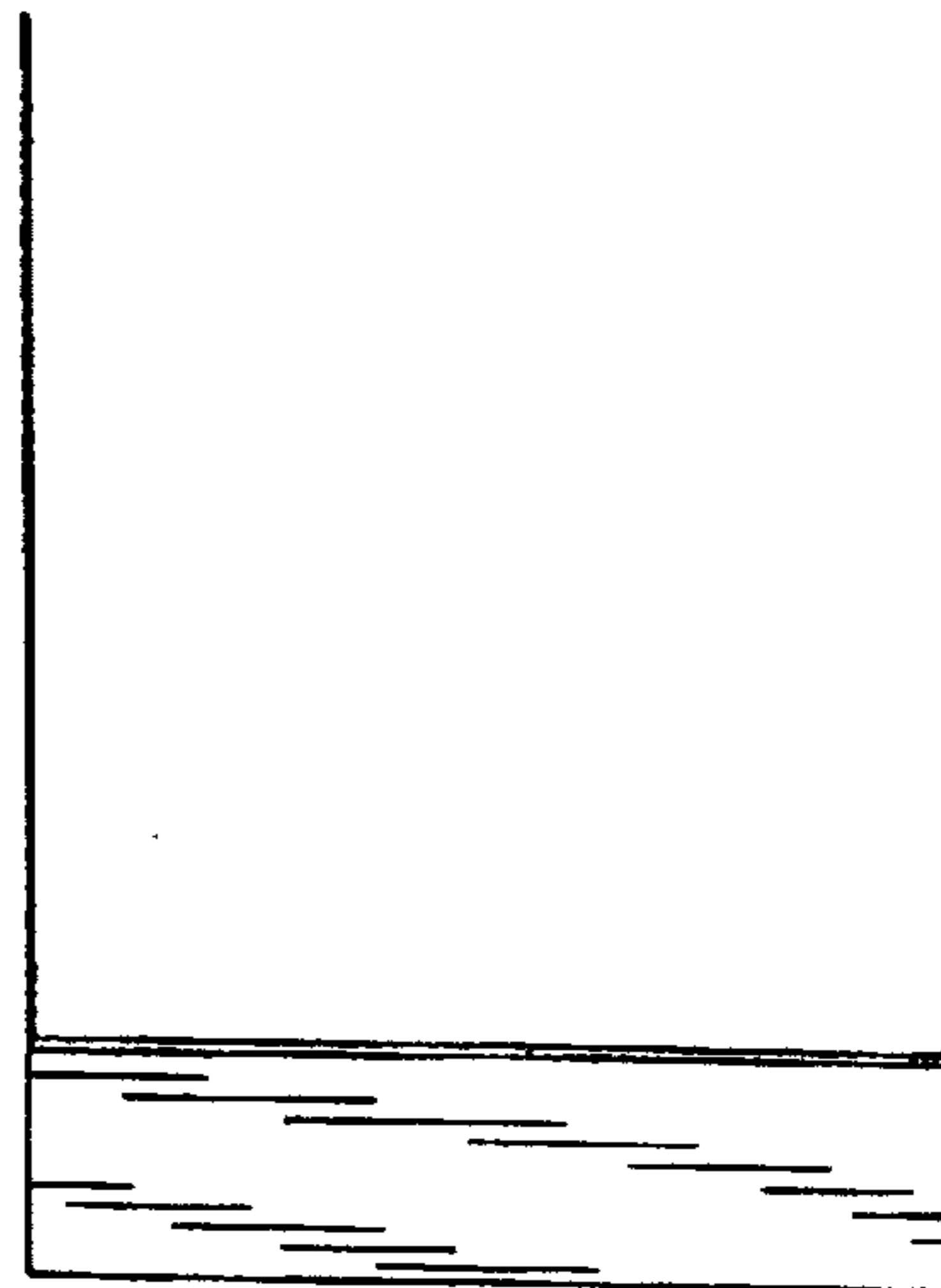


FIG. 11

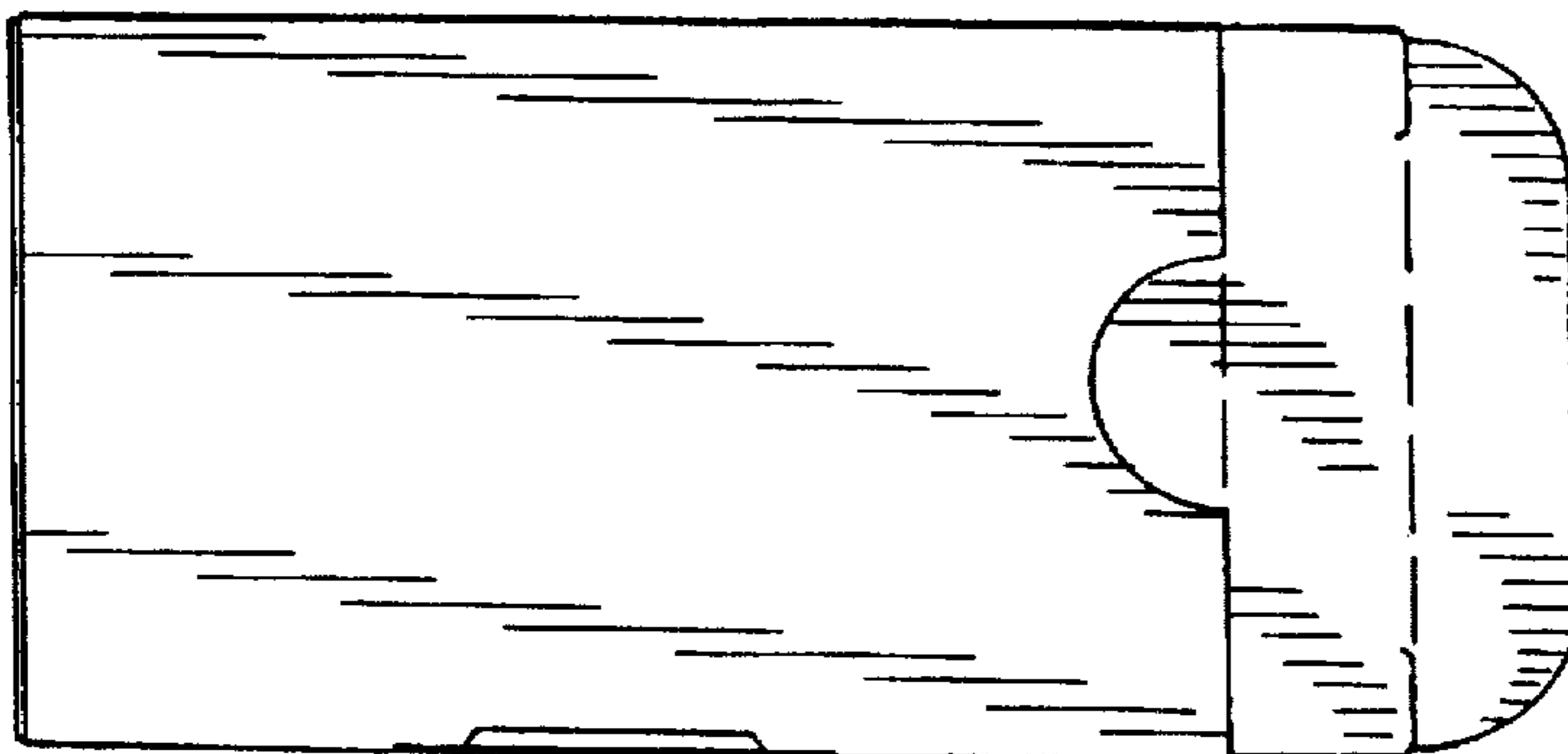


FIG. 12

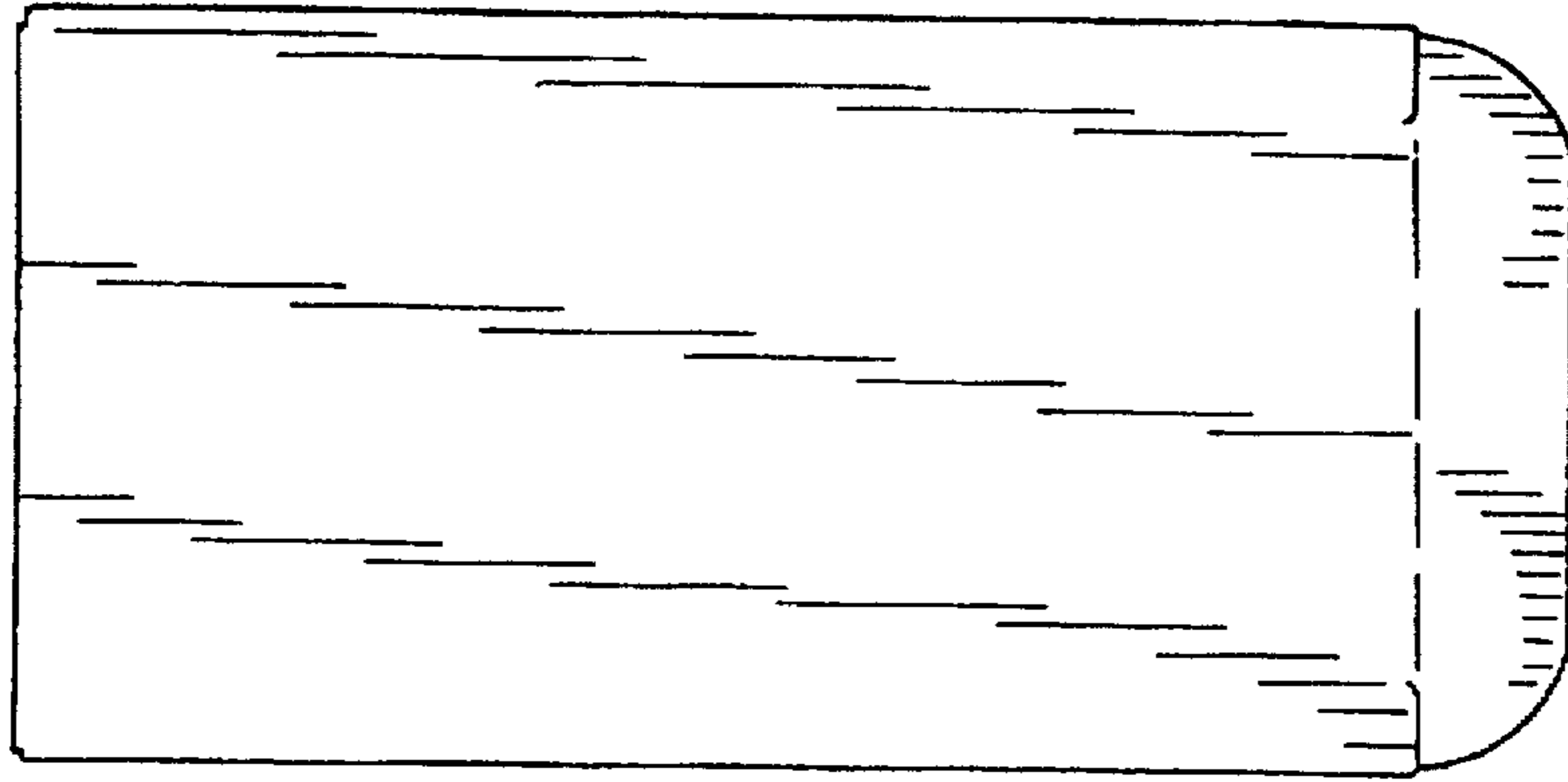


FIG. 13

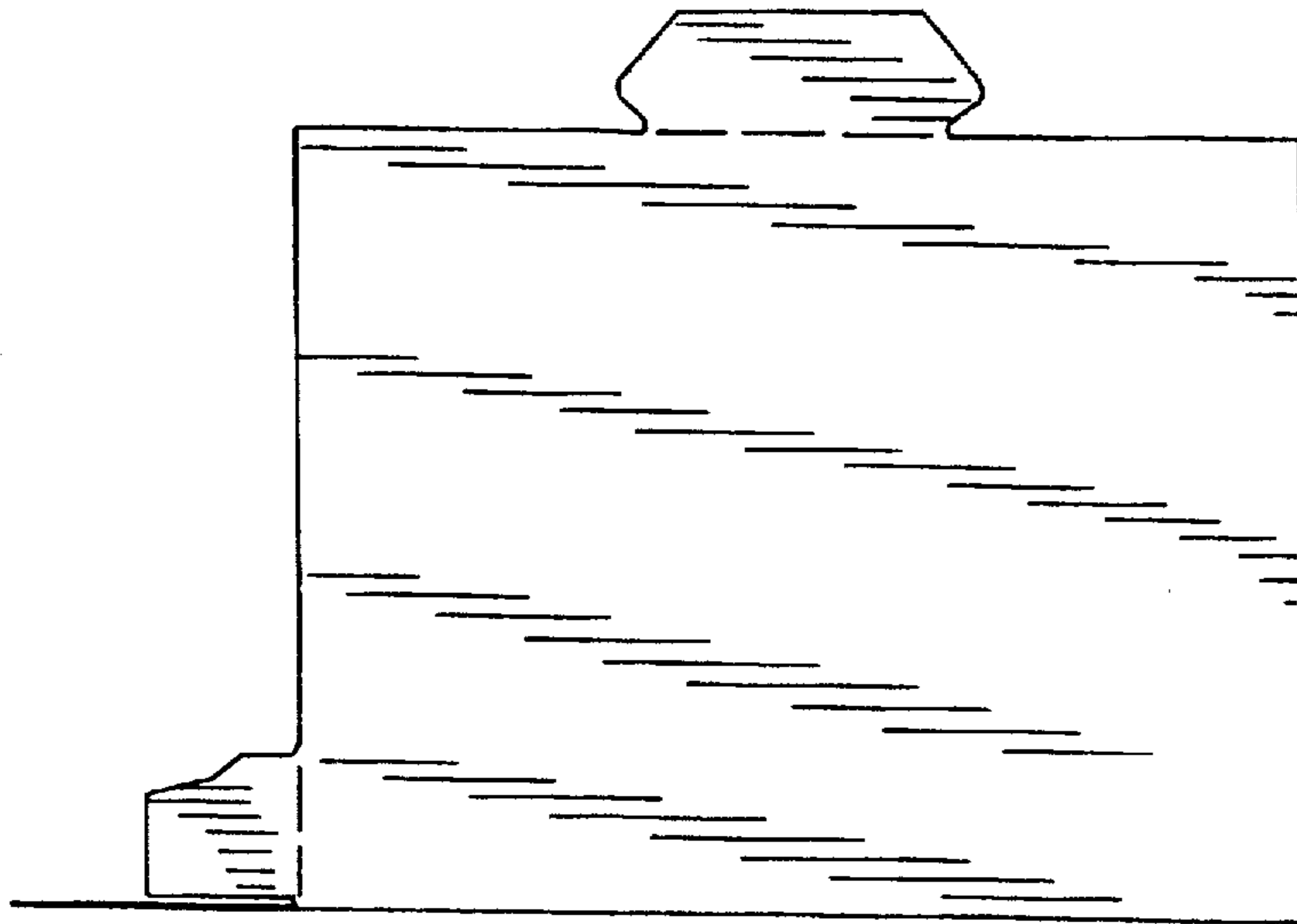


FIG. 14

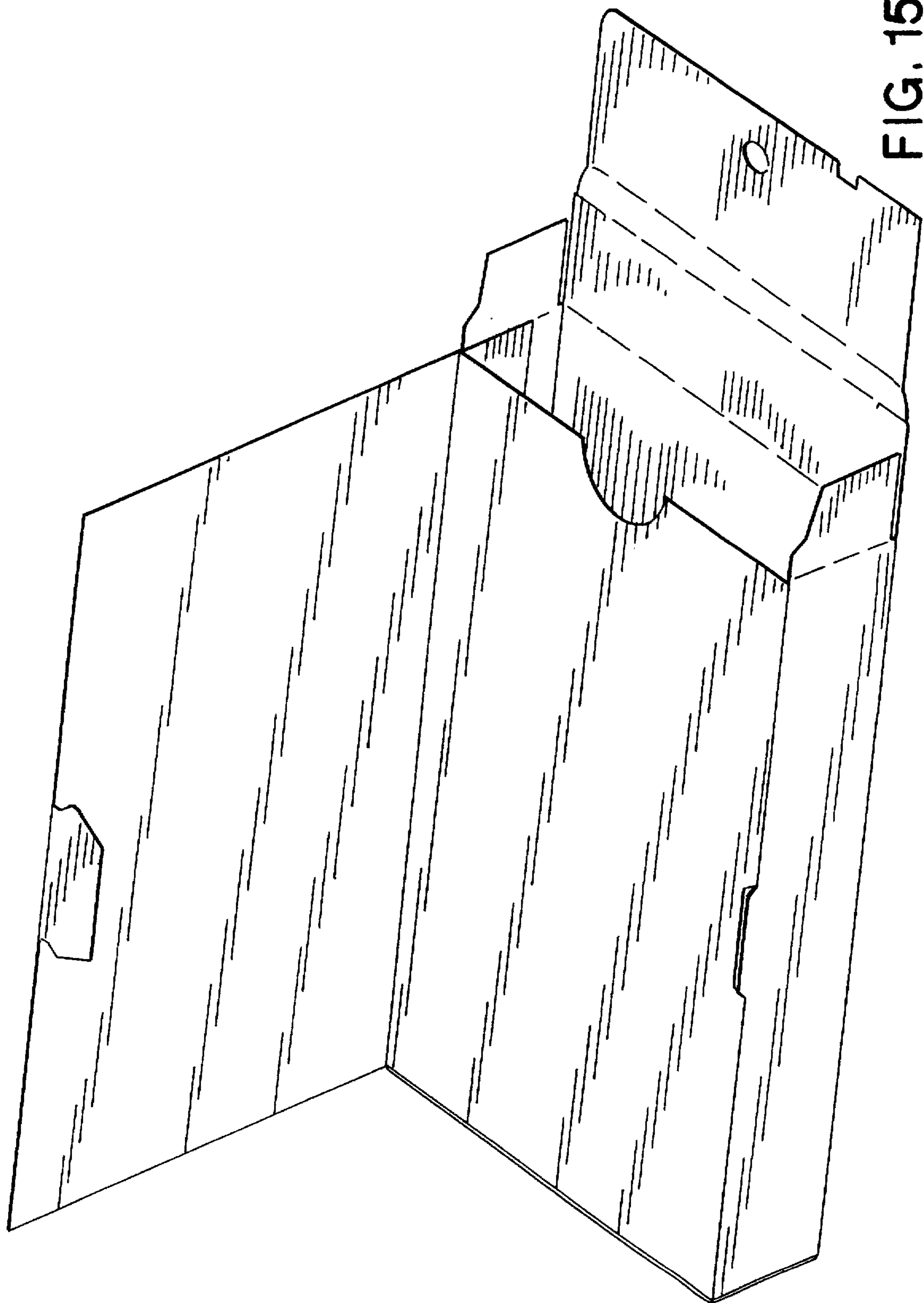


FIG. 15



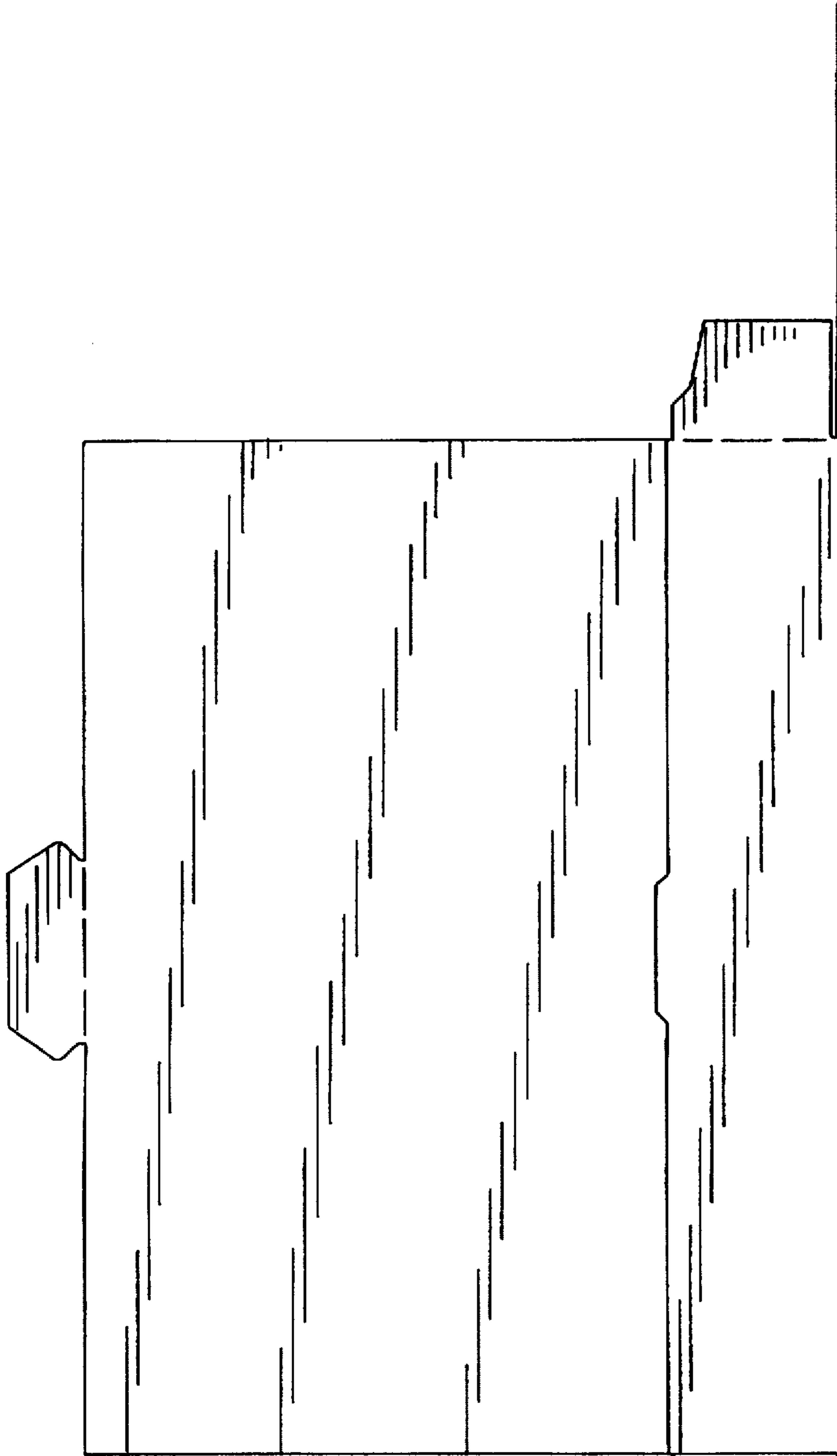


FIG. 16

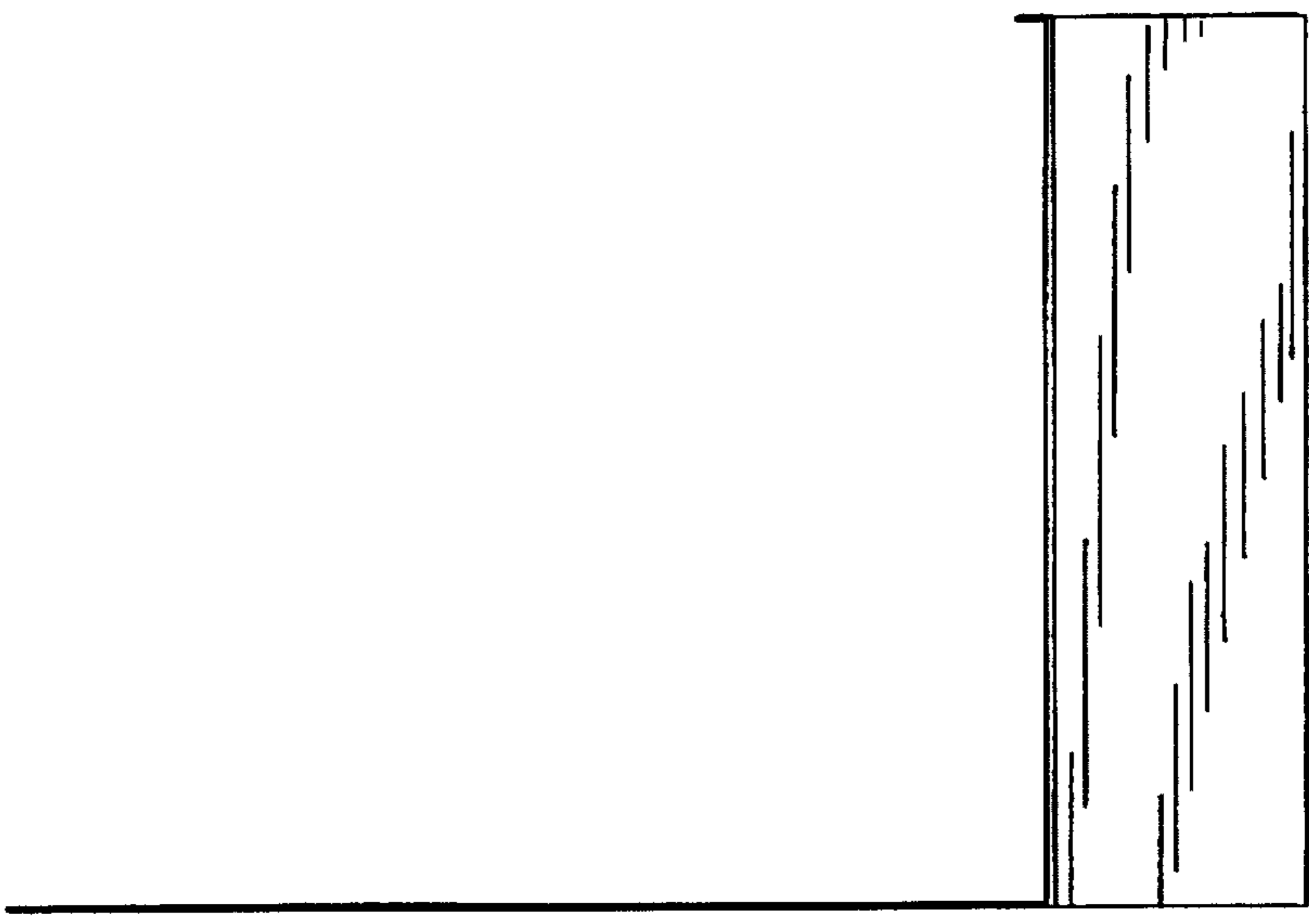


FIG. 17

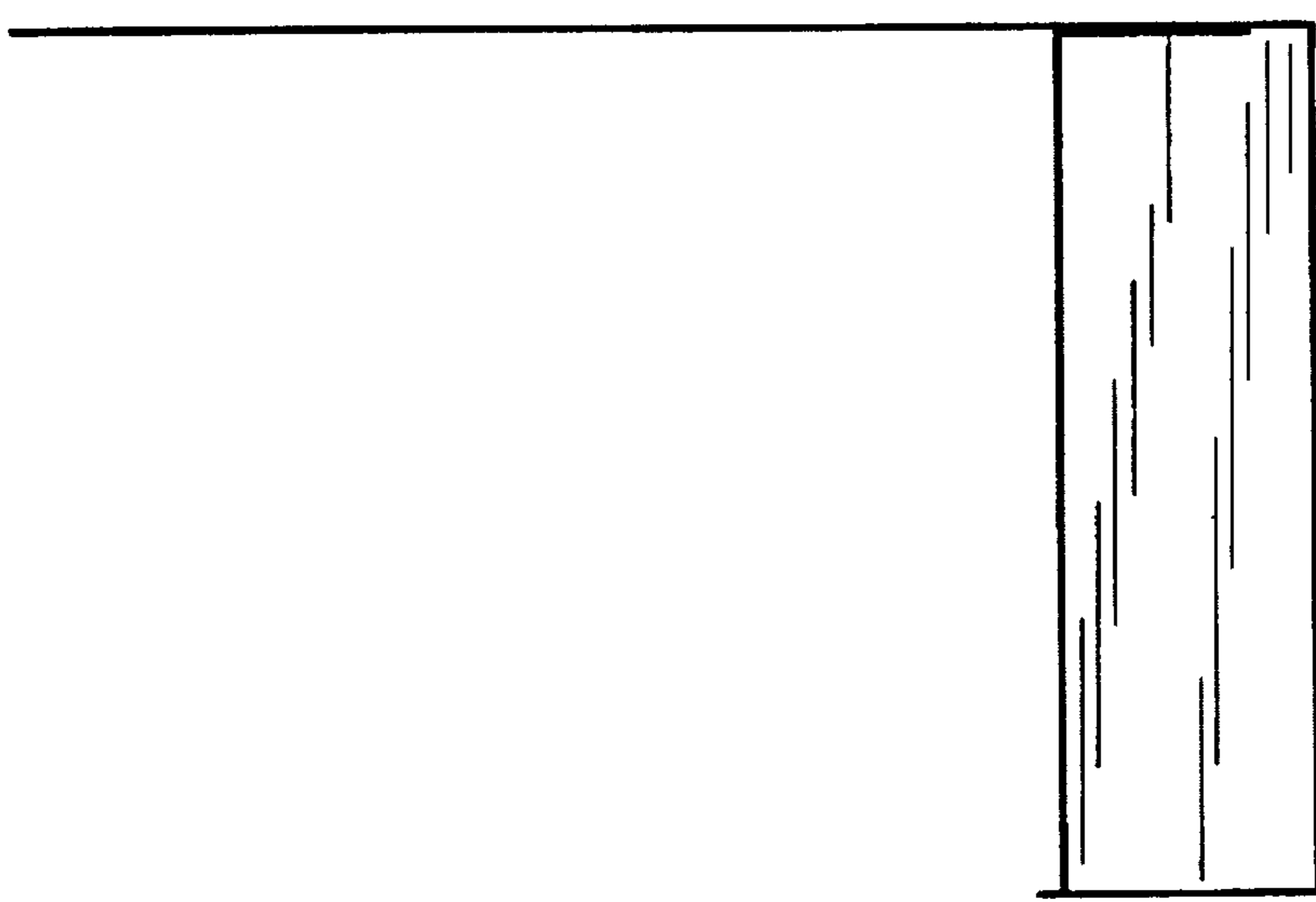


FIG. 18

FIG. 19

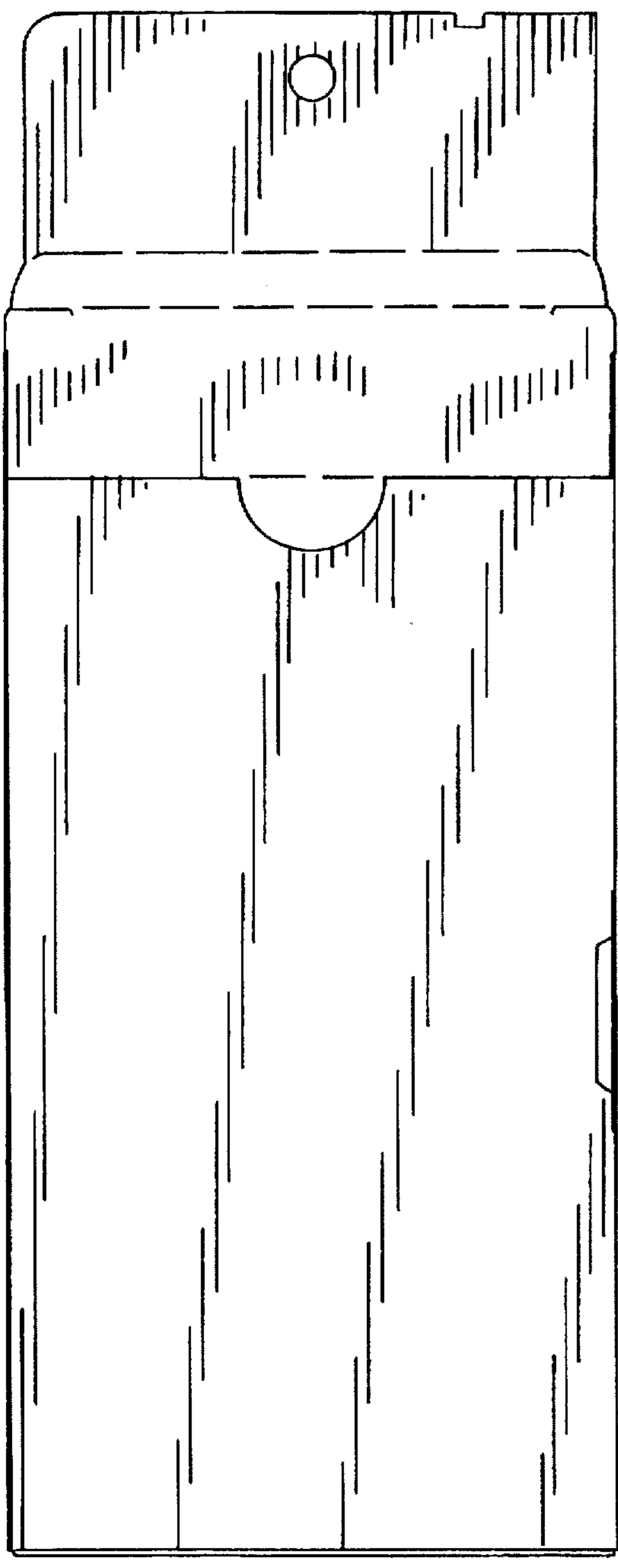
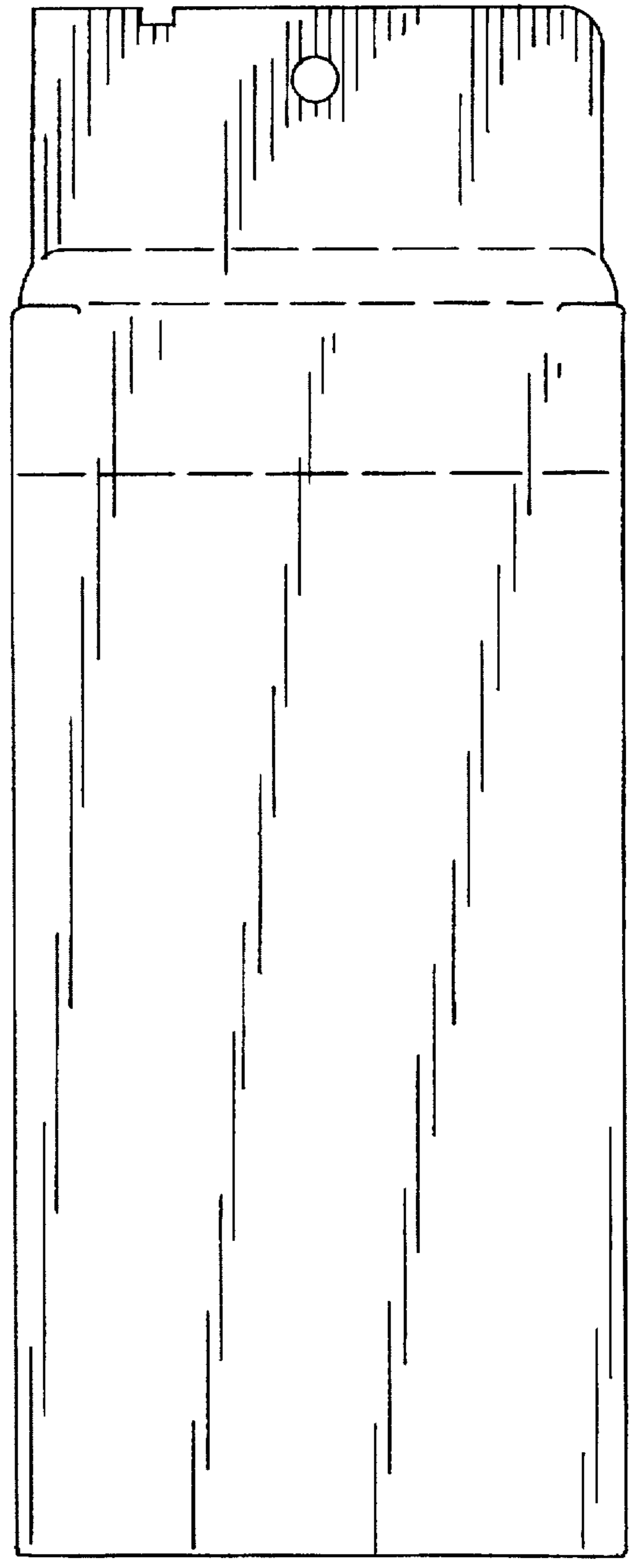


FIG. 20



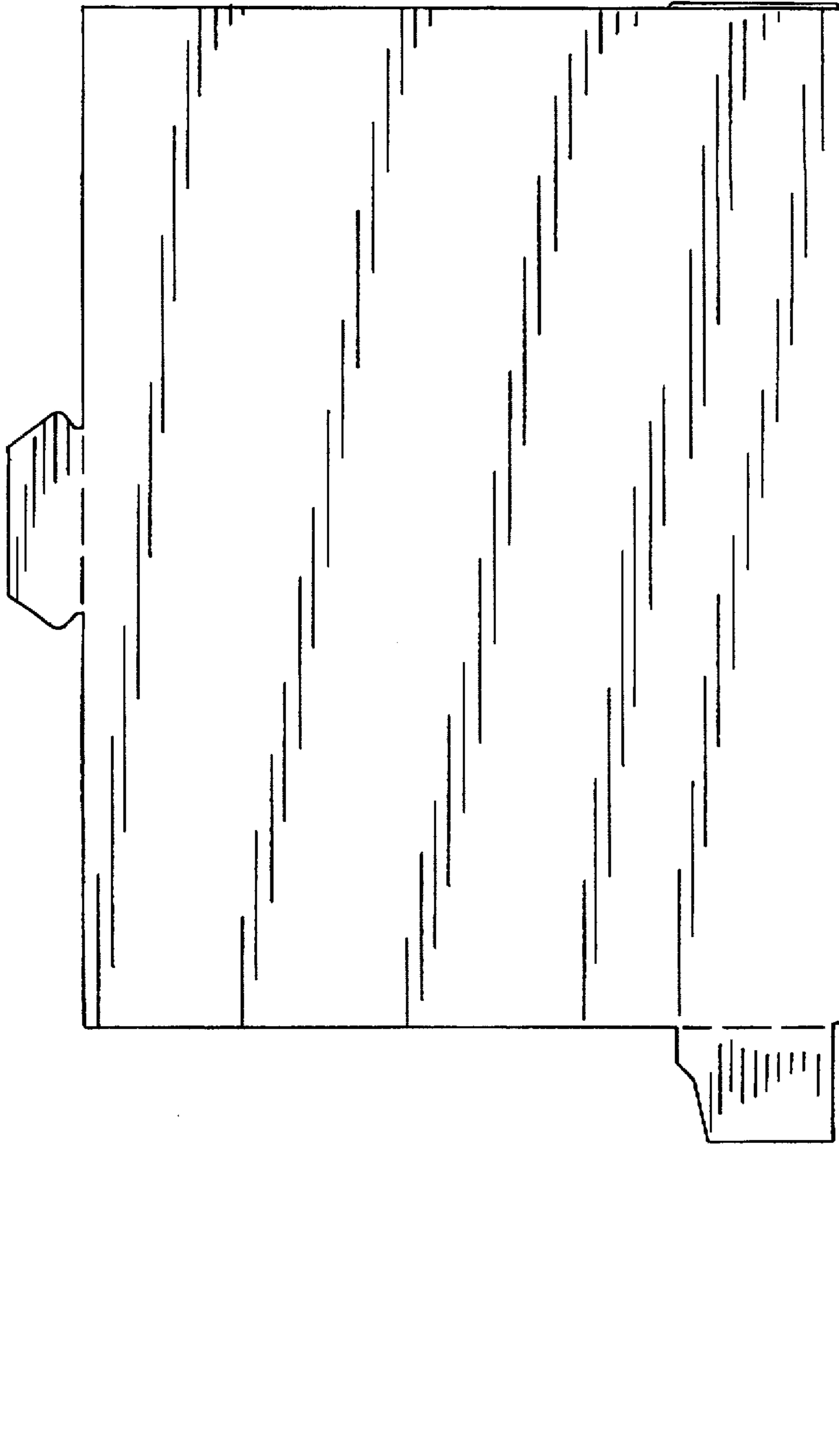


FIG. 21

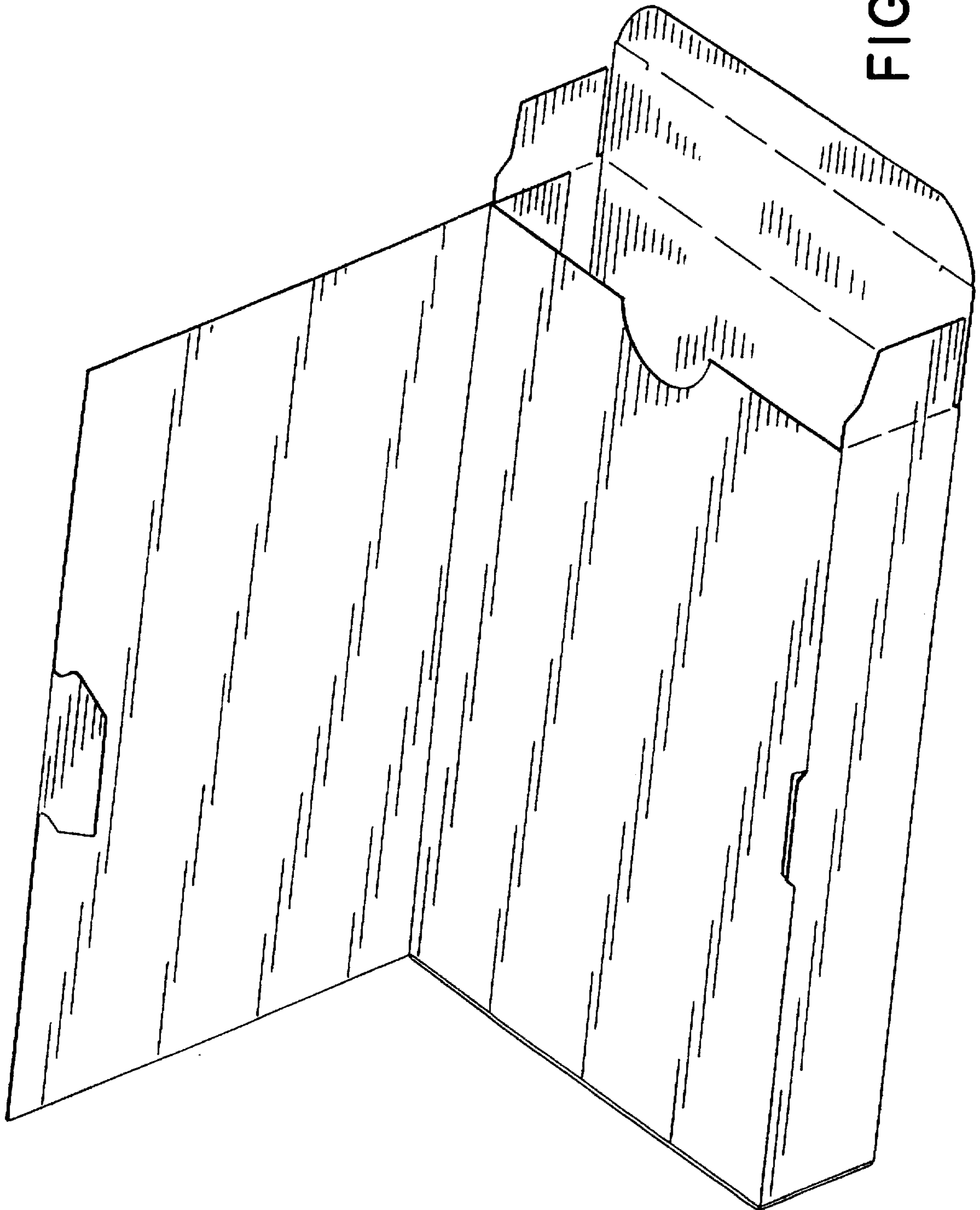


FIG. 22

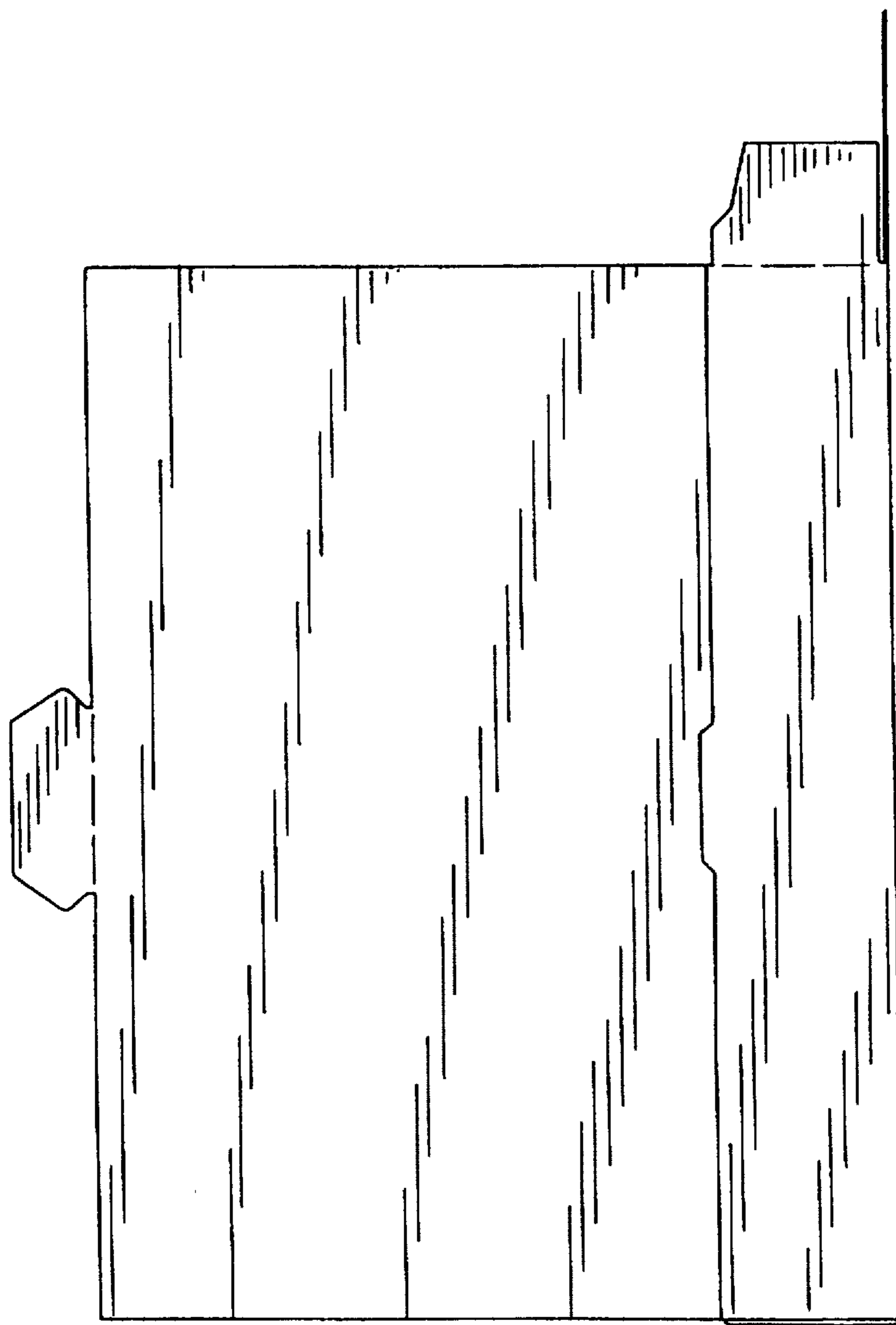


FIG. 23

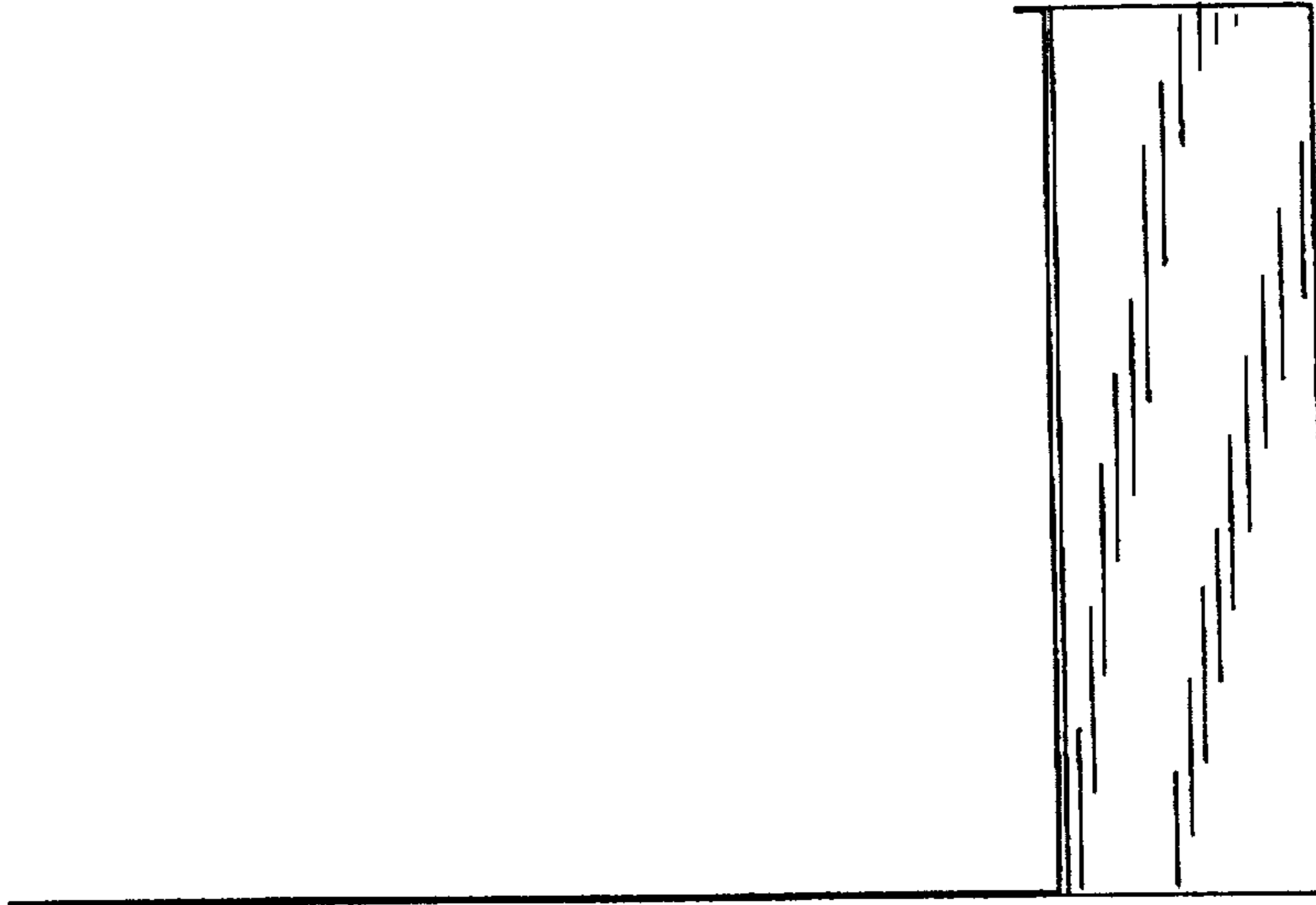


FIG. 25

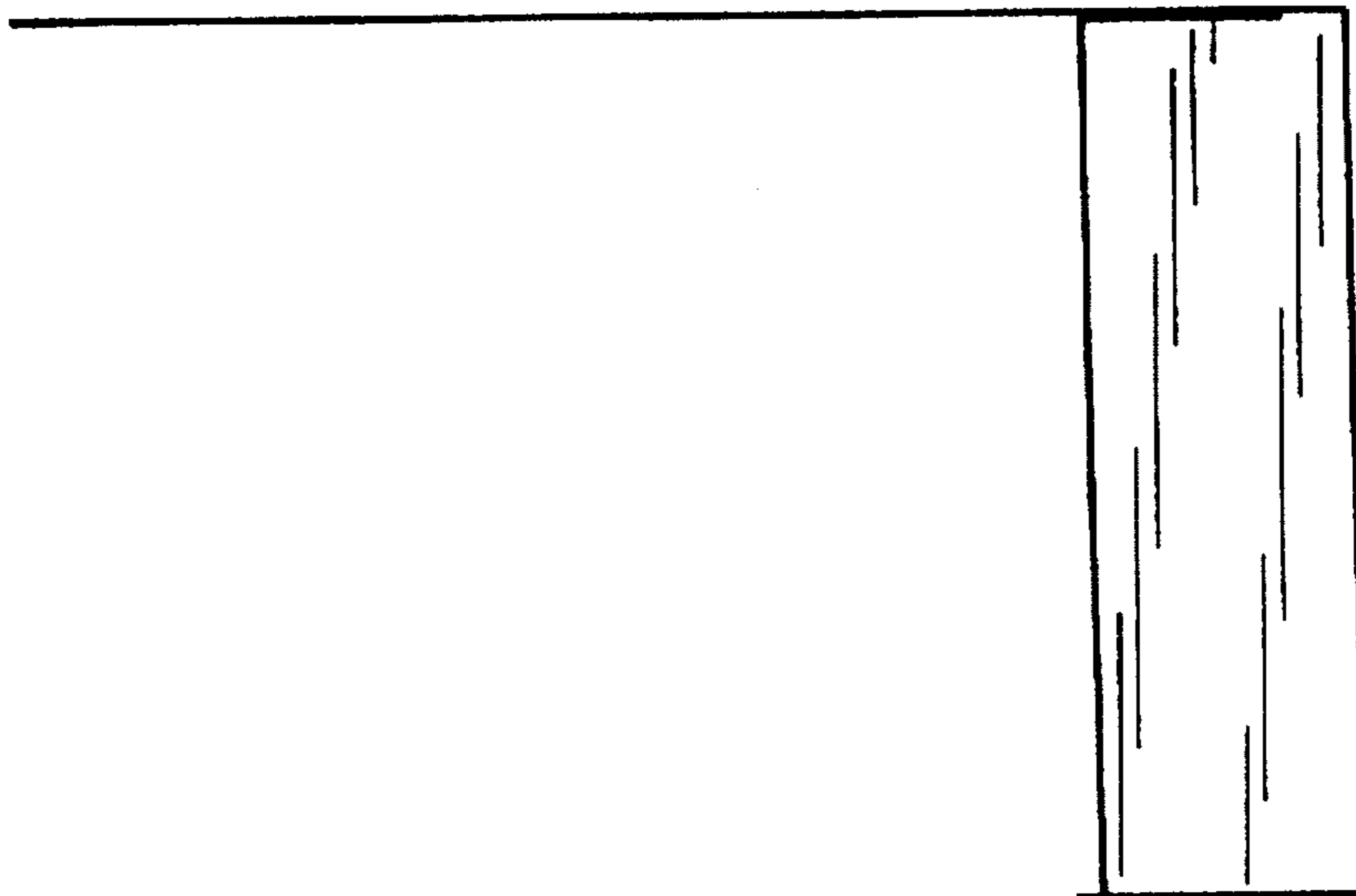


FIG. 24

FIG. 26

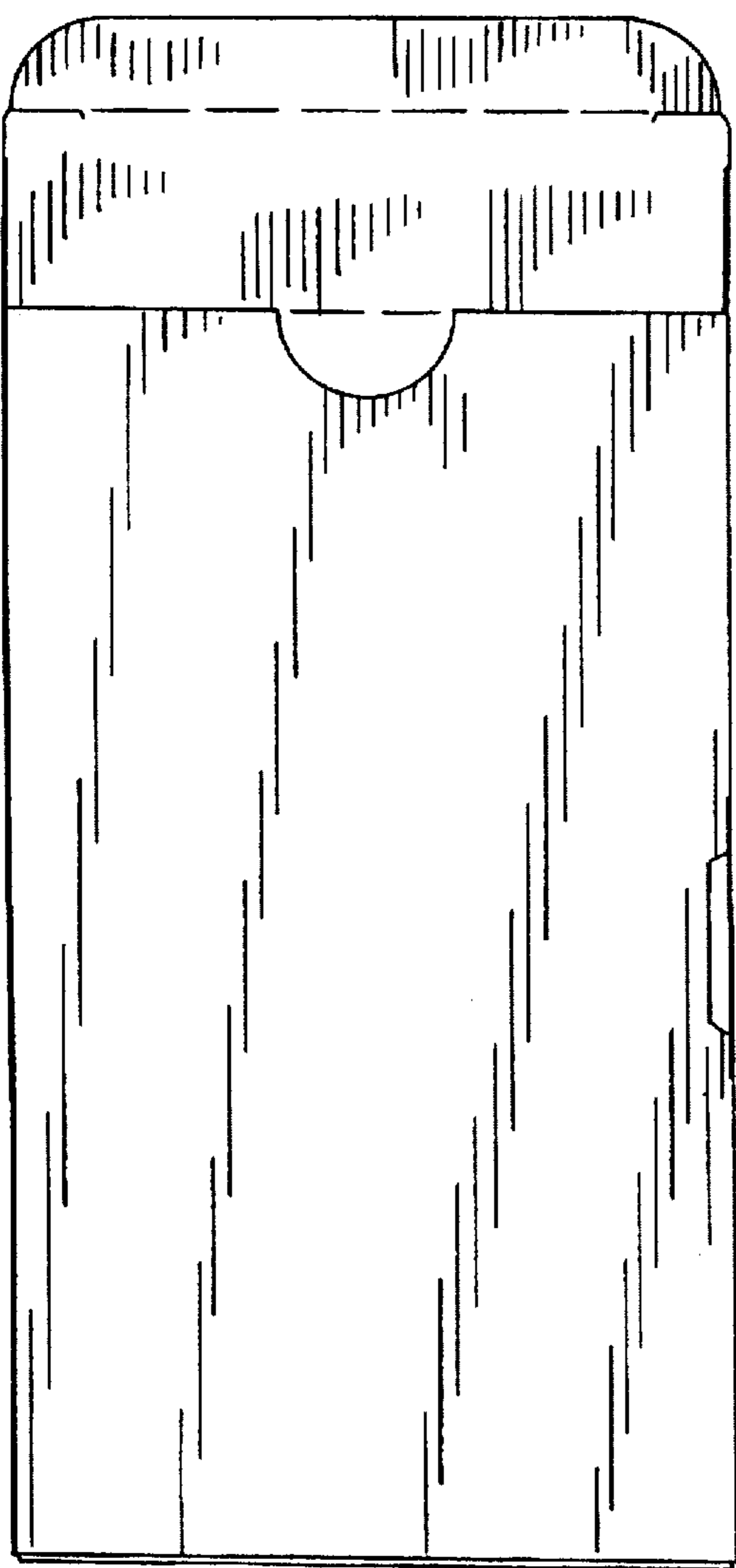
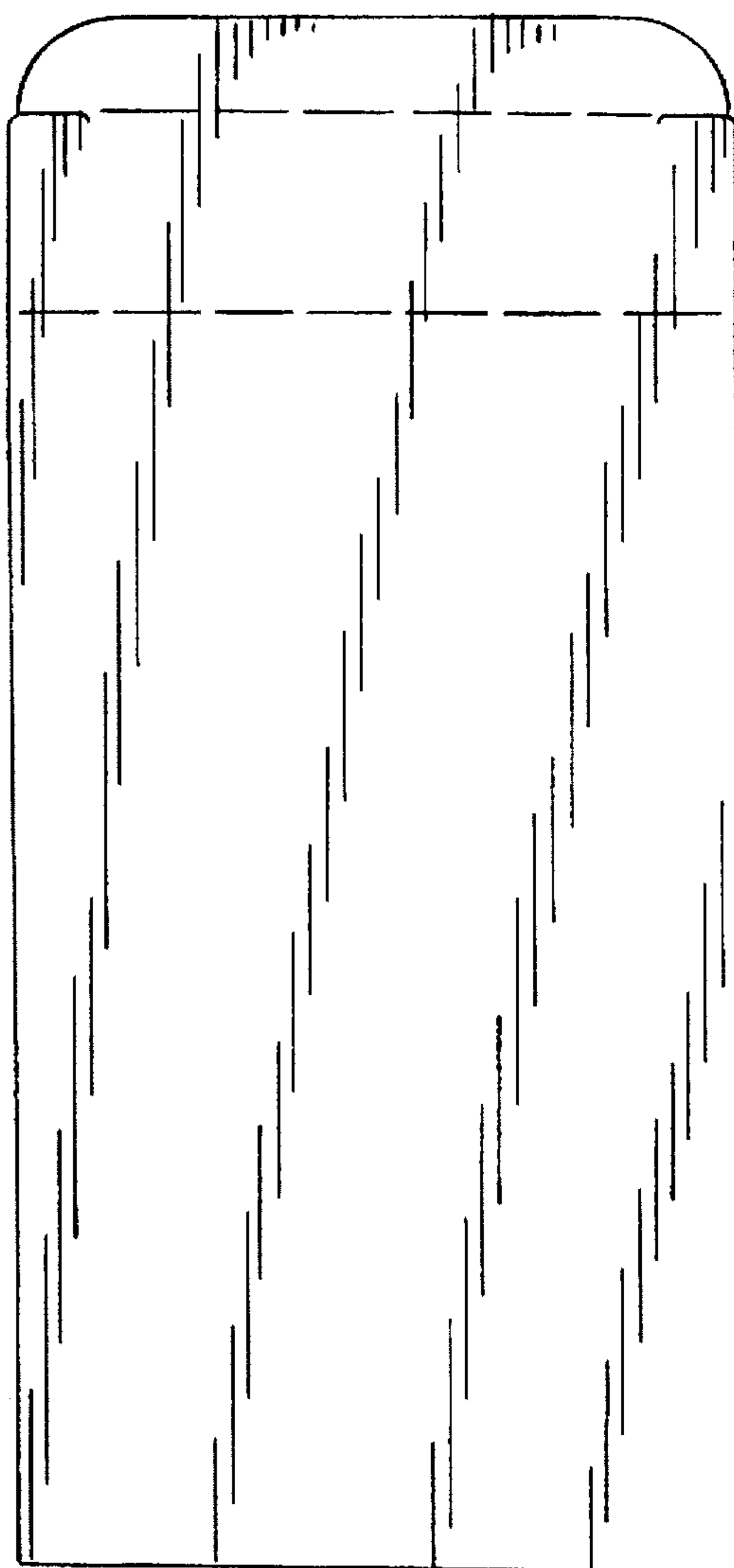


FIG. 27





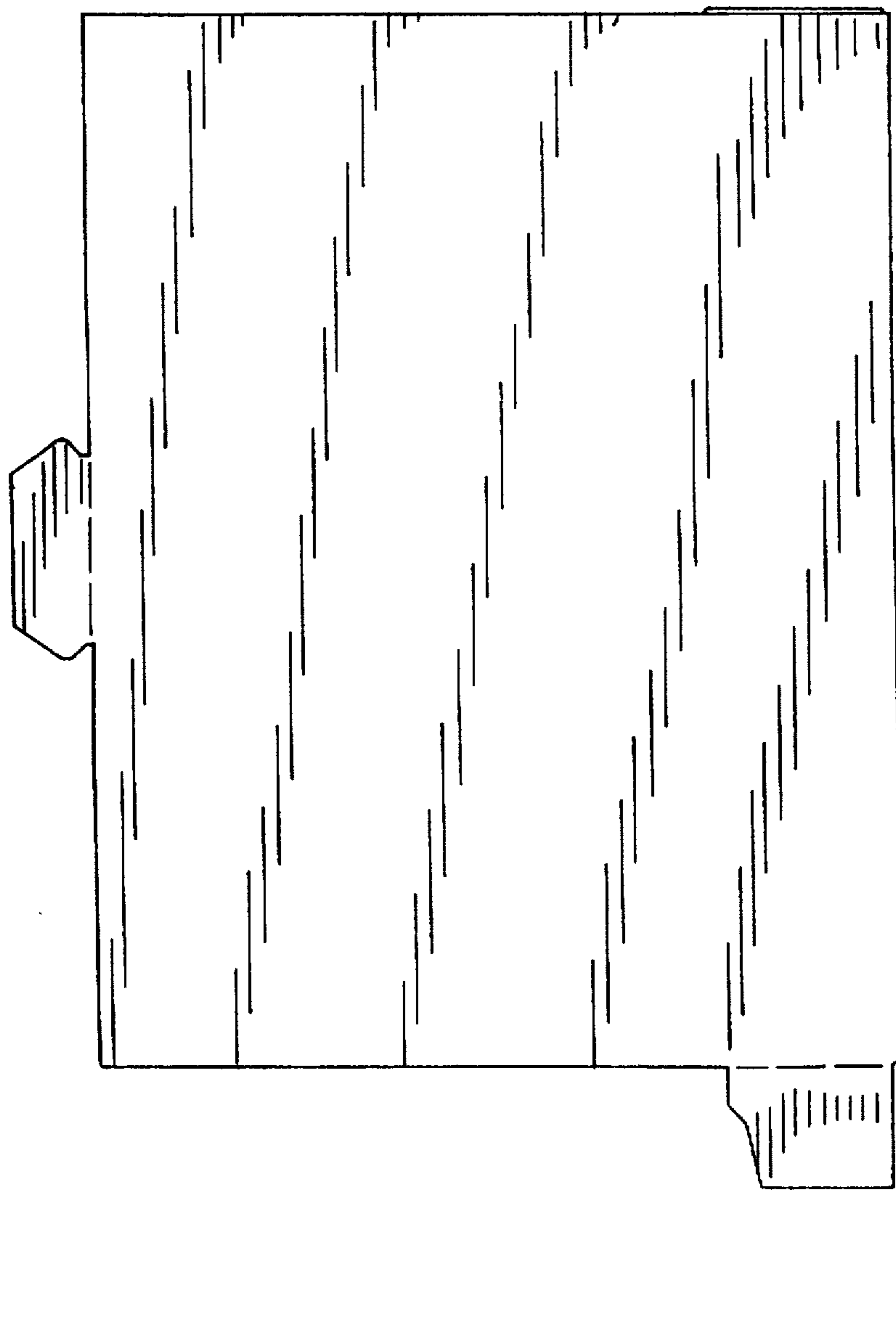


FIG. 28

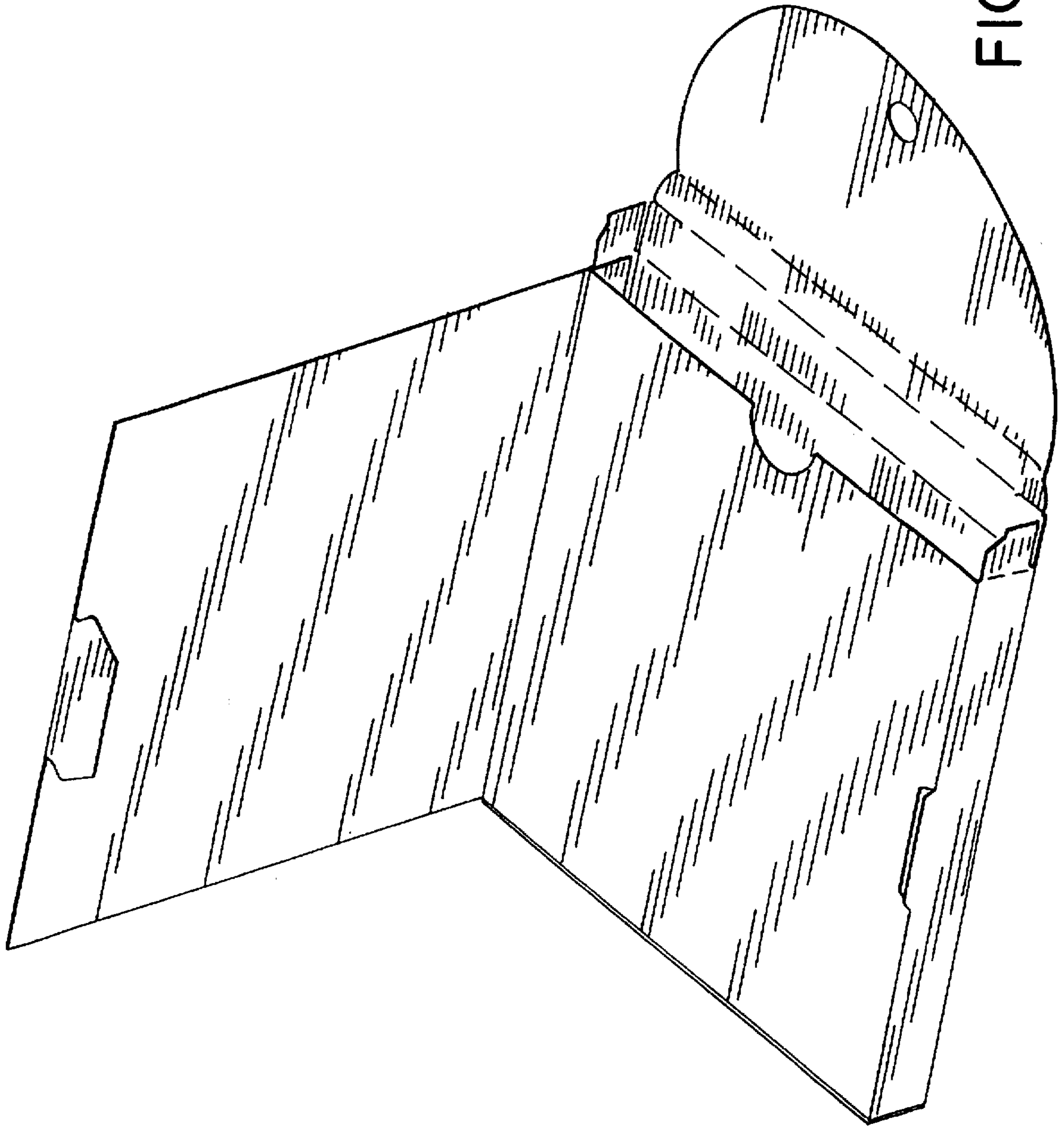


FIG. 29

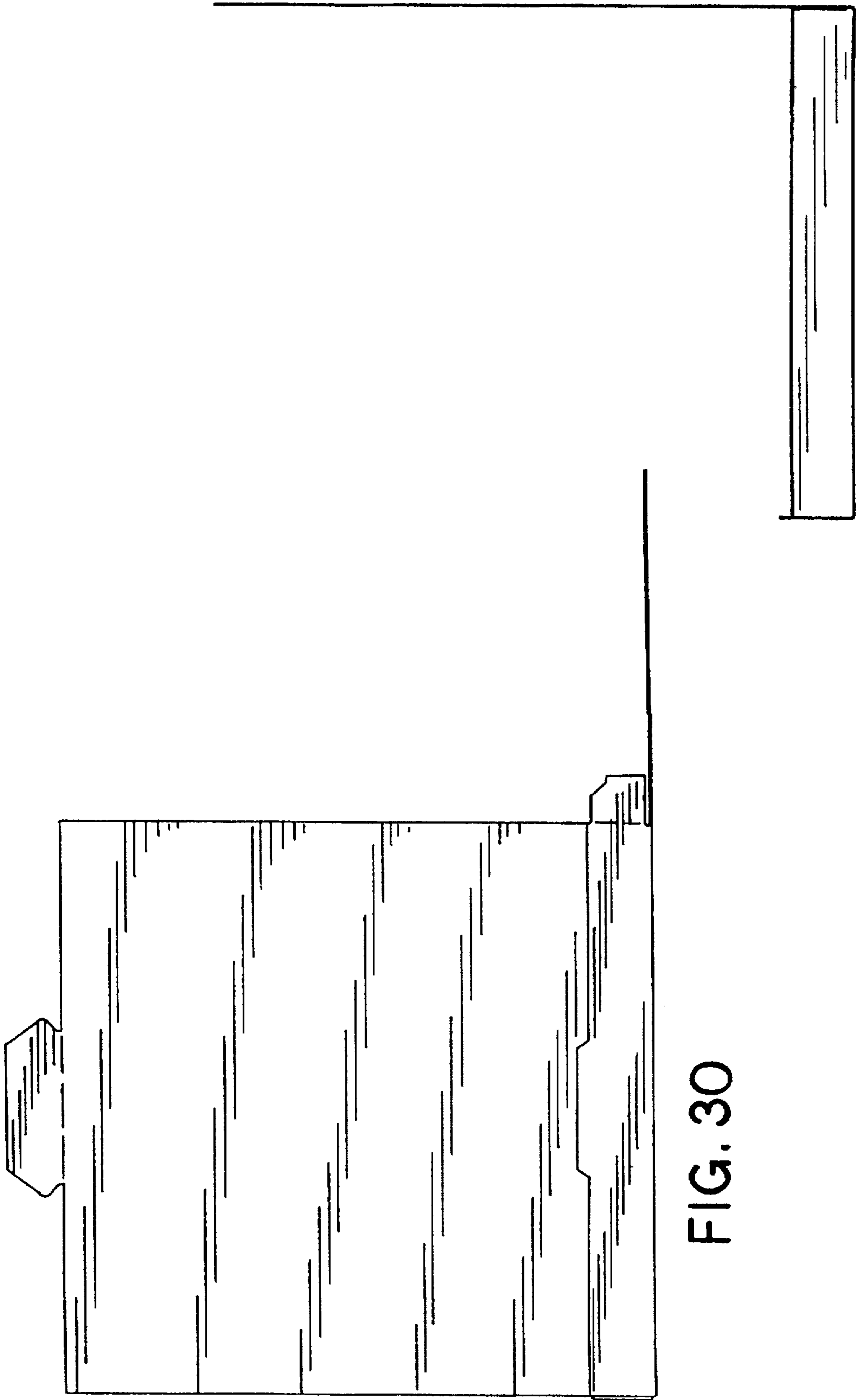


FIG. 30

FIG. 31

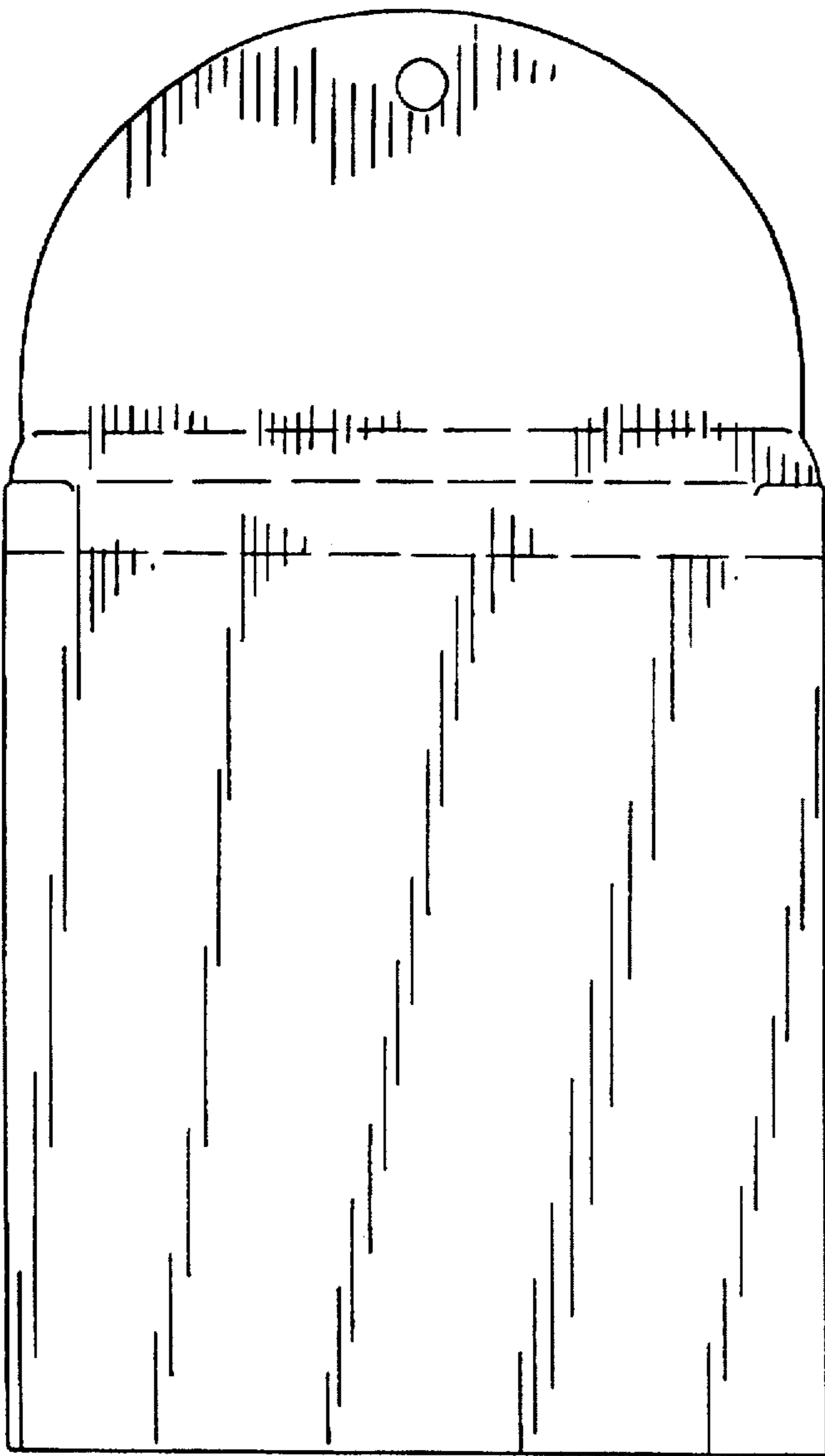


FIG. 33

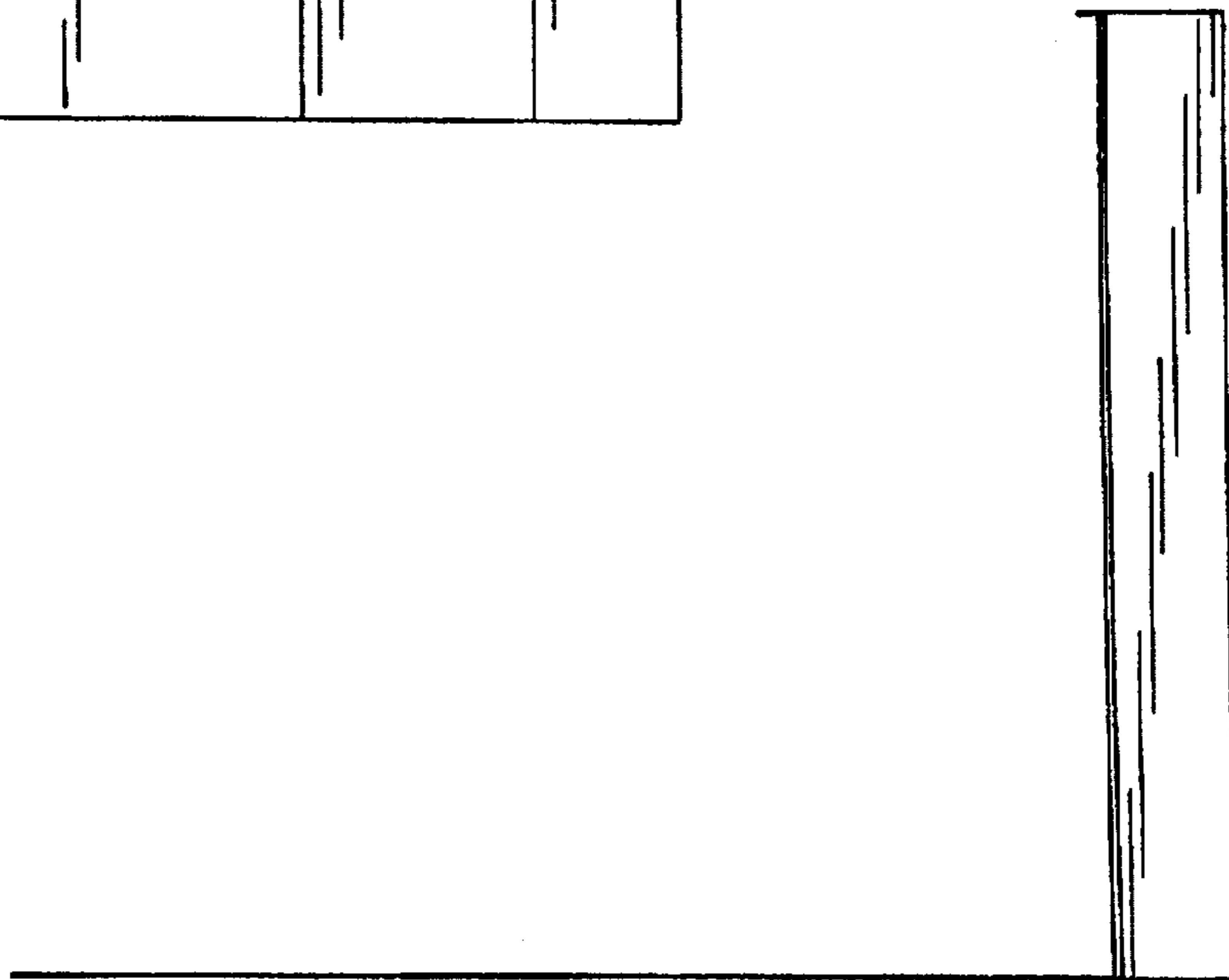


FIG. 32

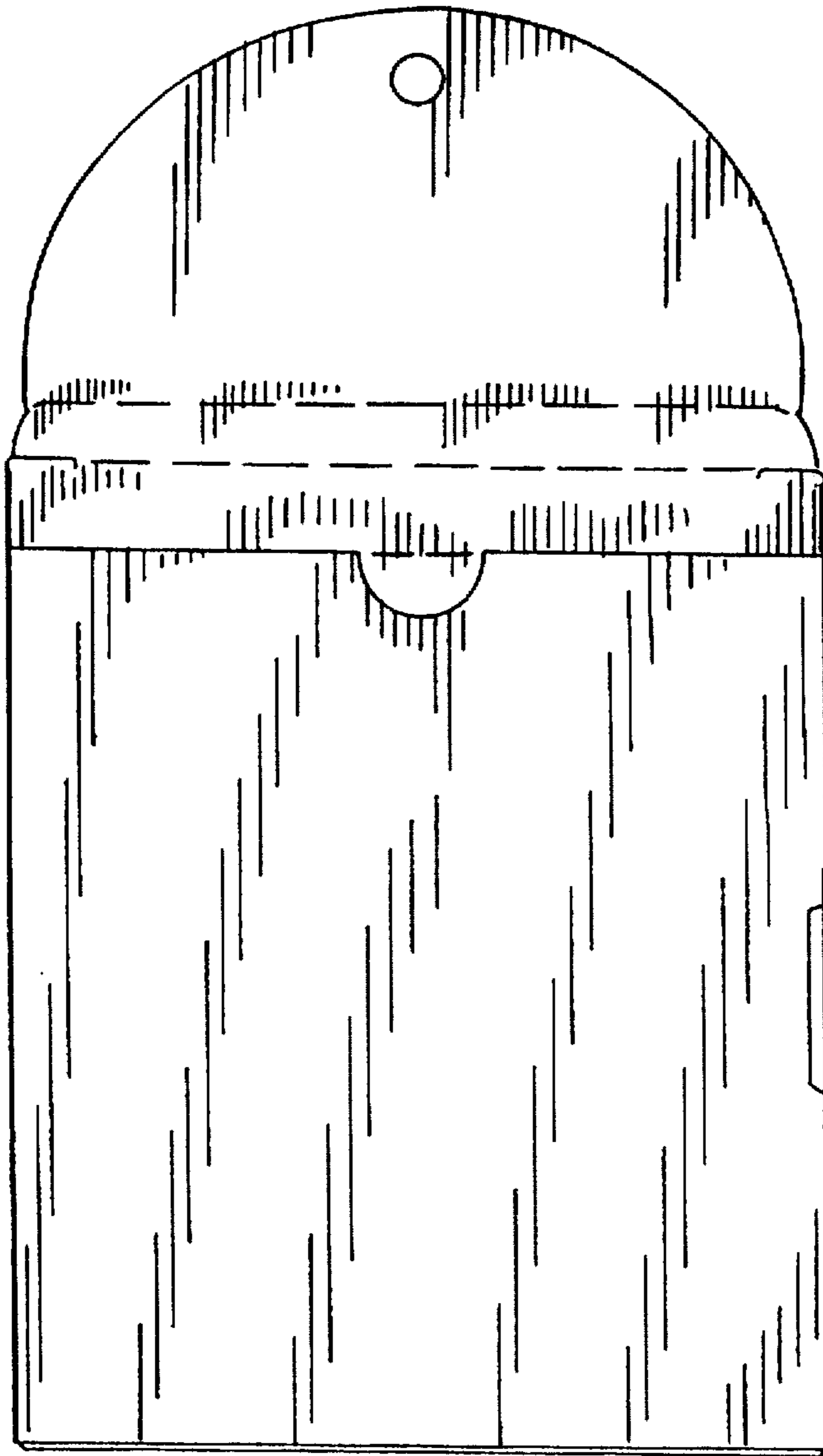


FIG. 34

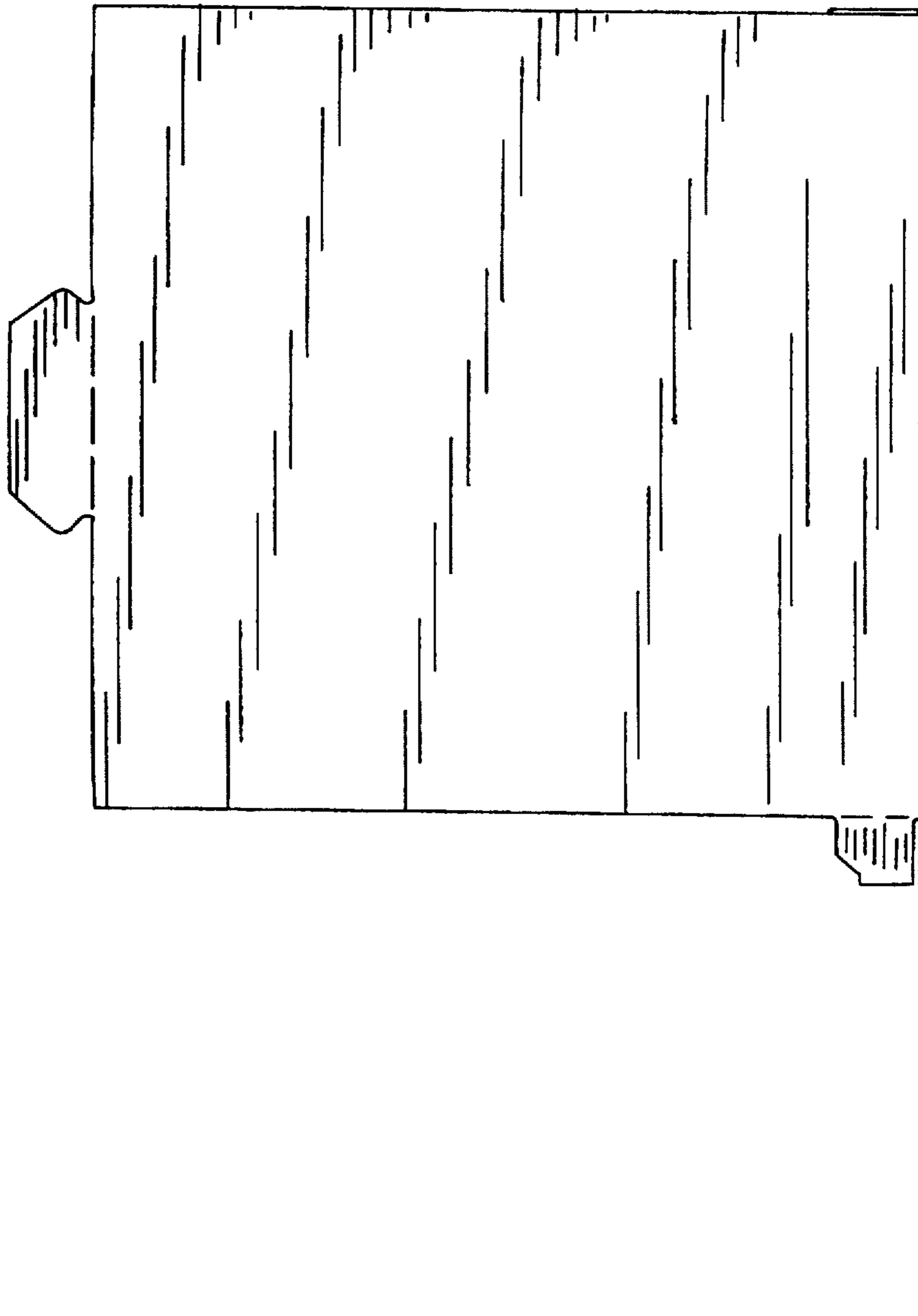


FIG. 35

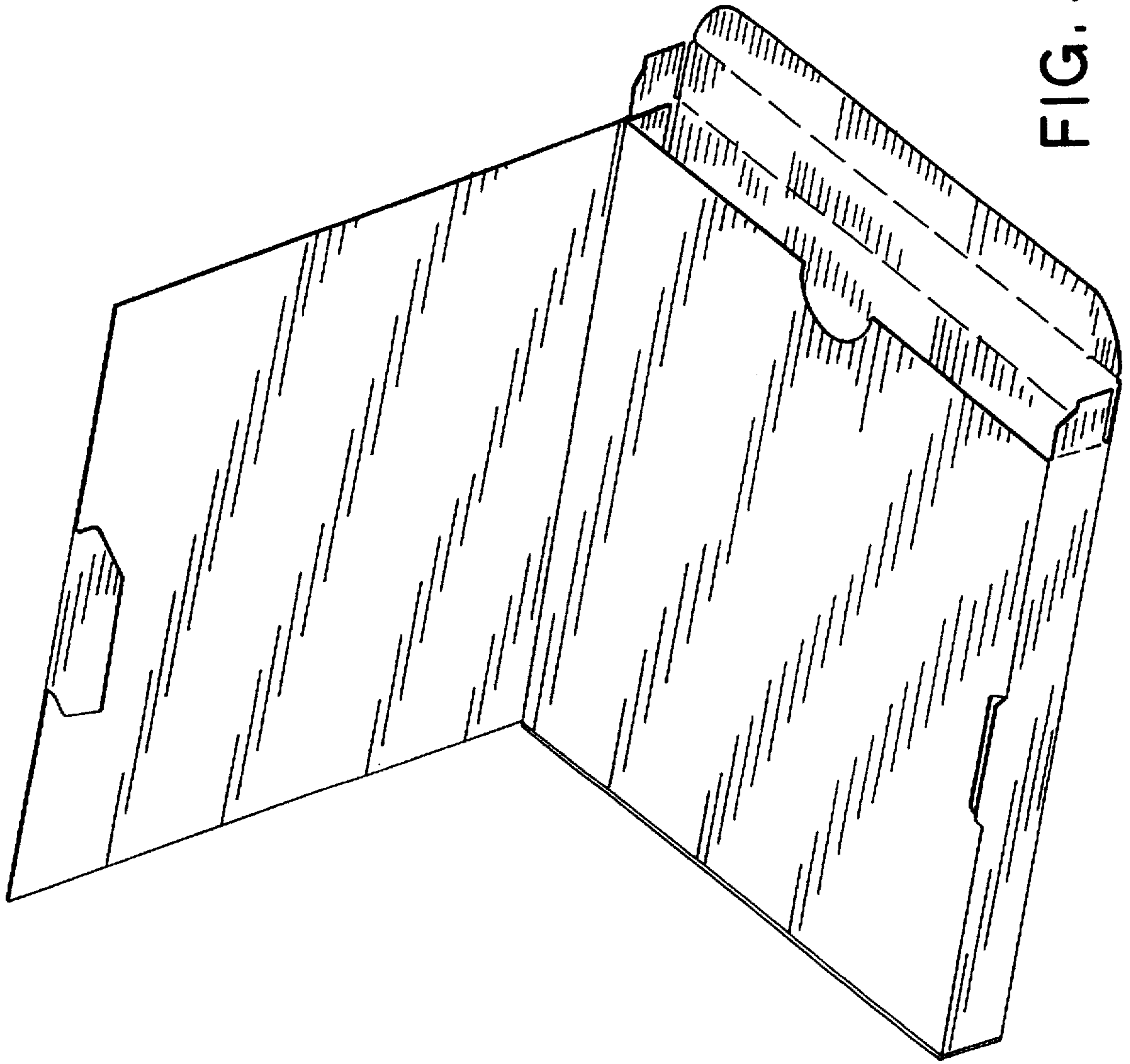


FIG. 36

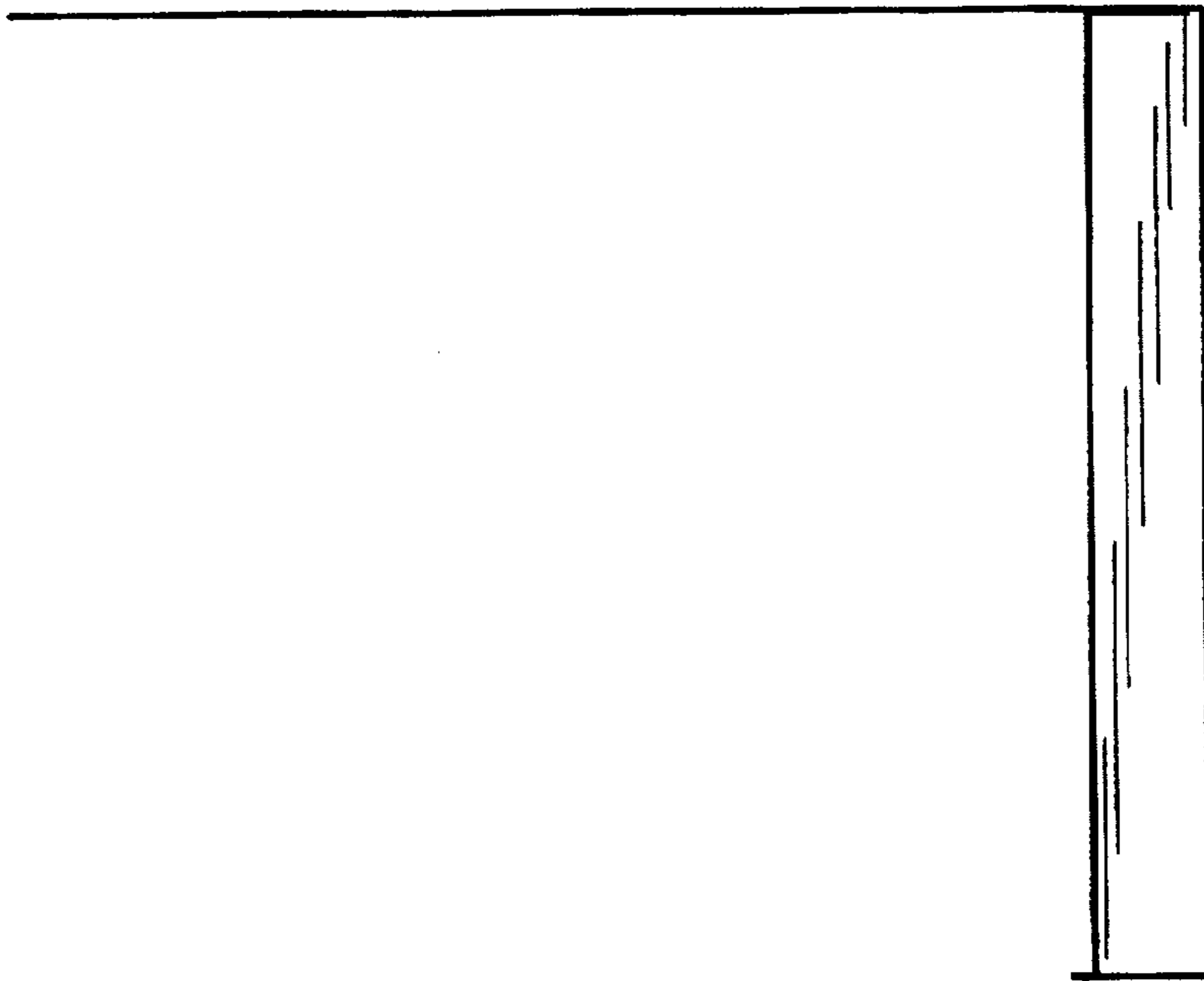


FIG. 38

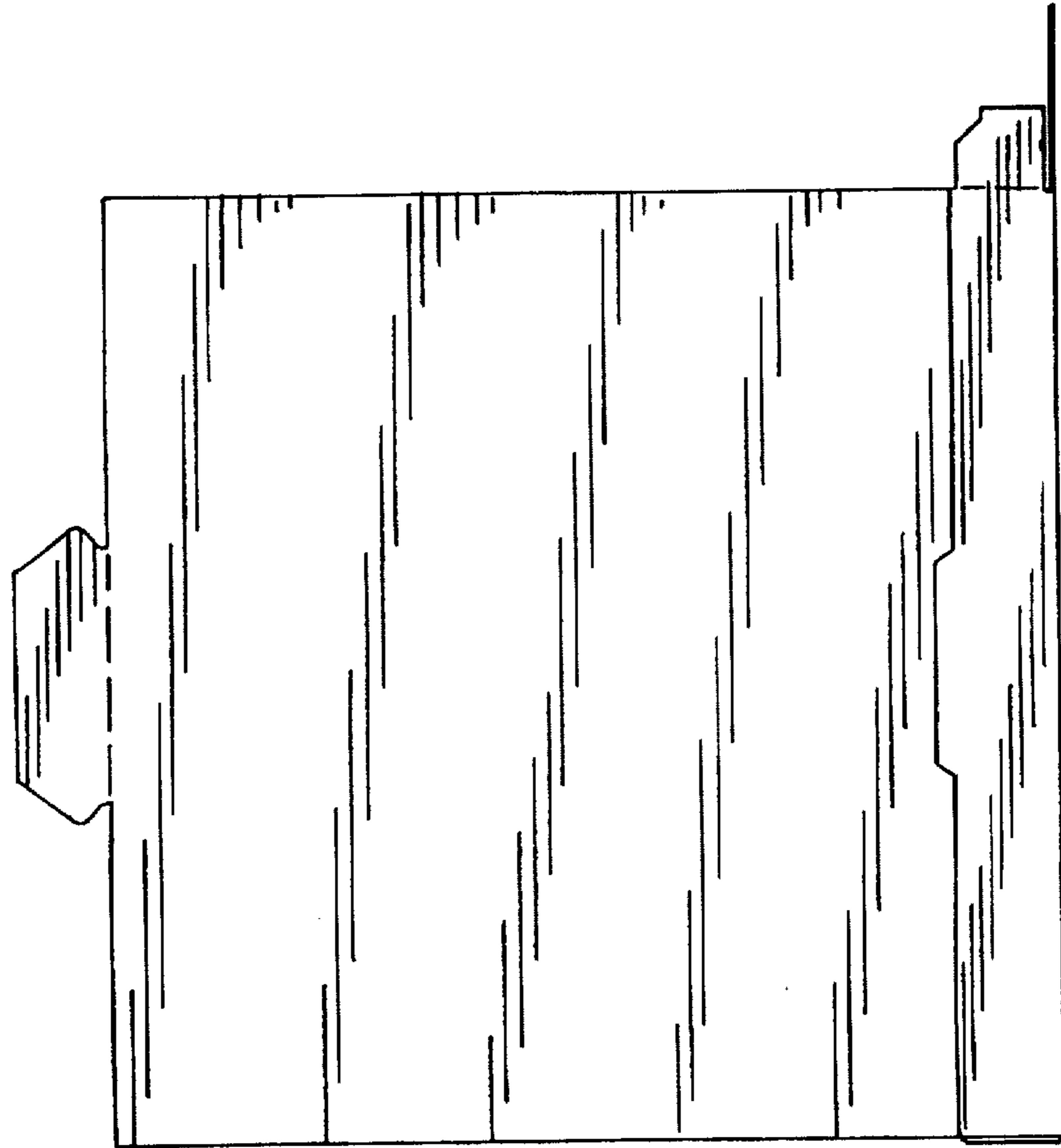


FIG. 37



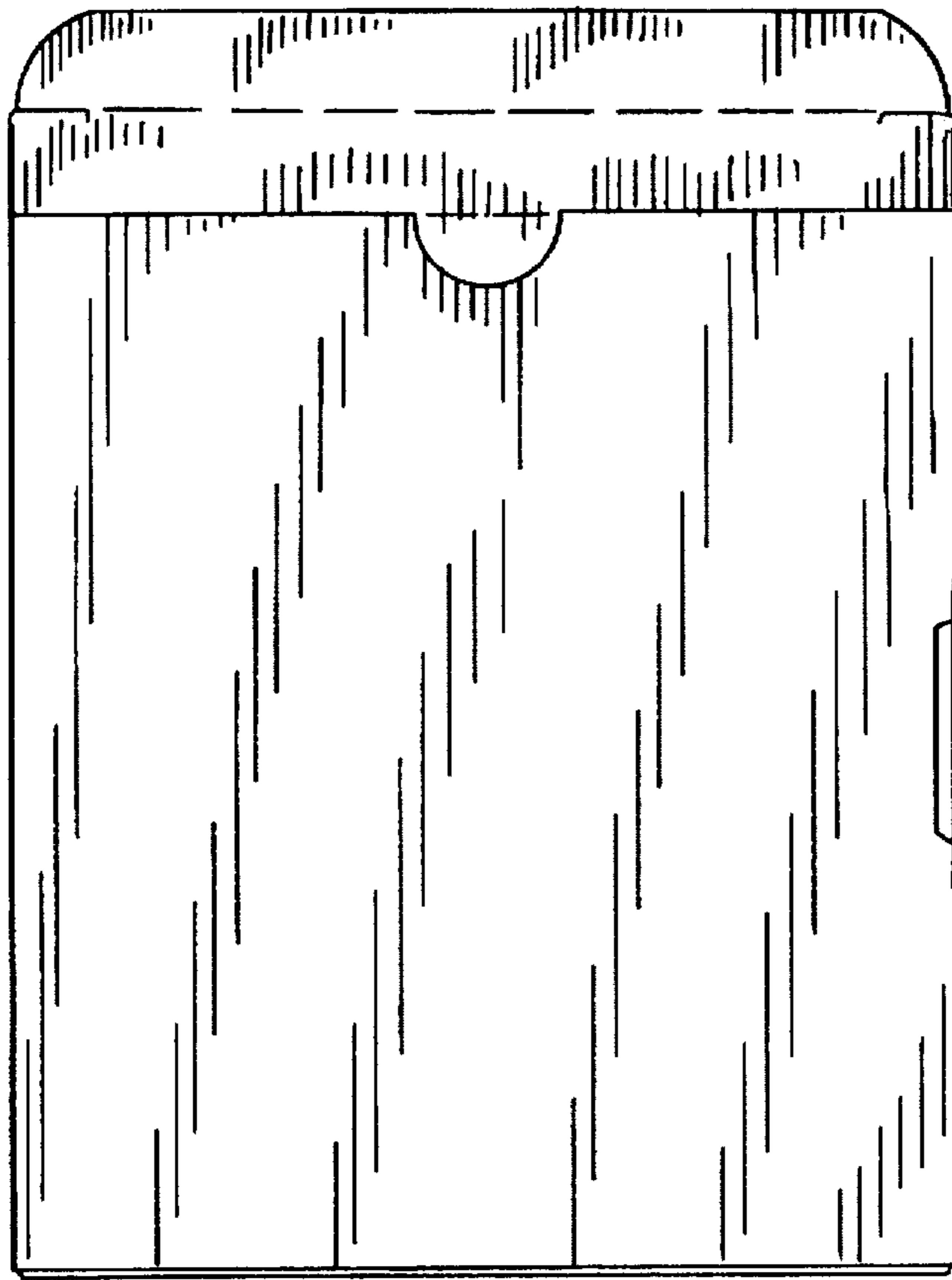


FIG. 40

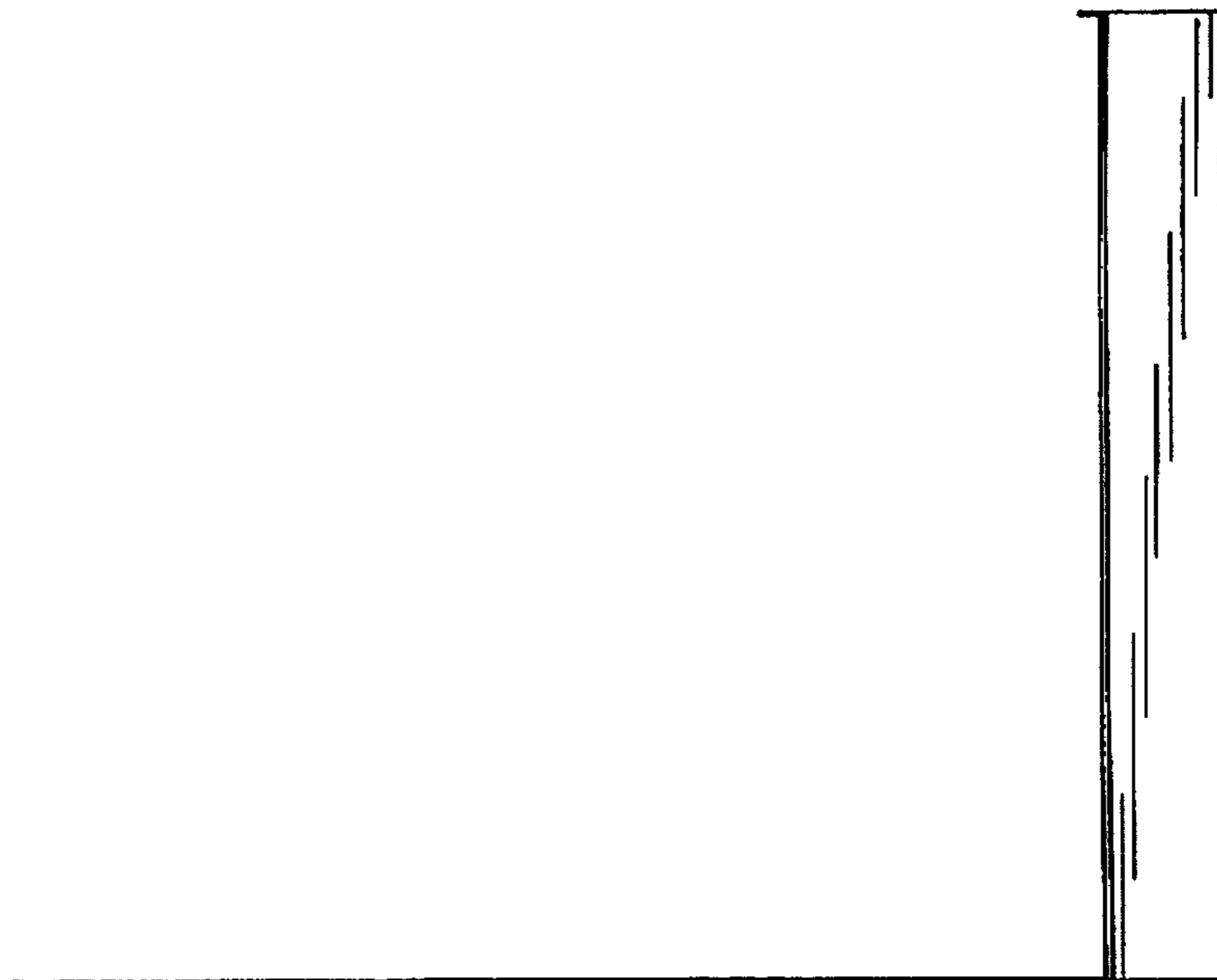


FIG. 39

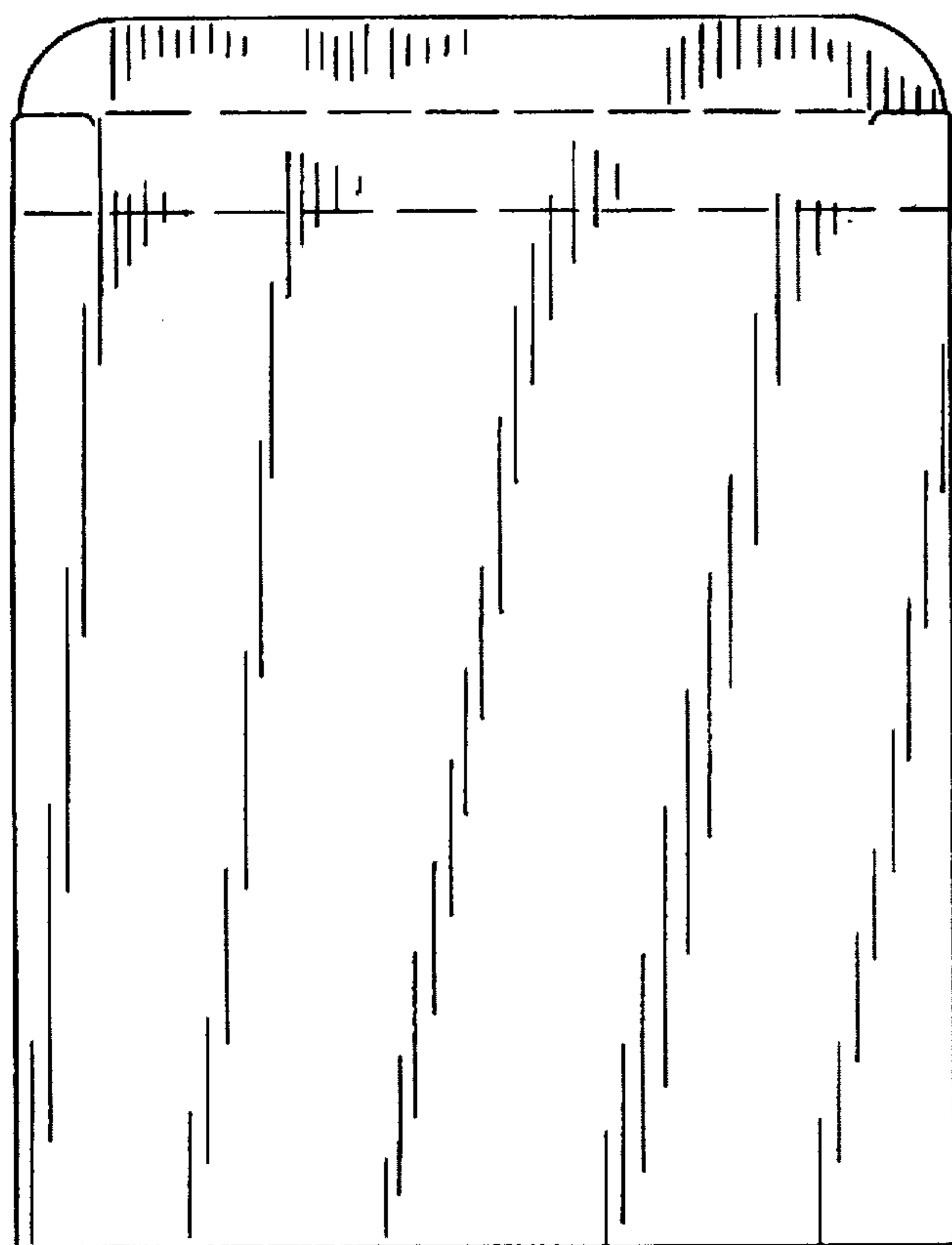


FIG. 41

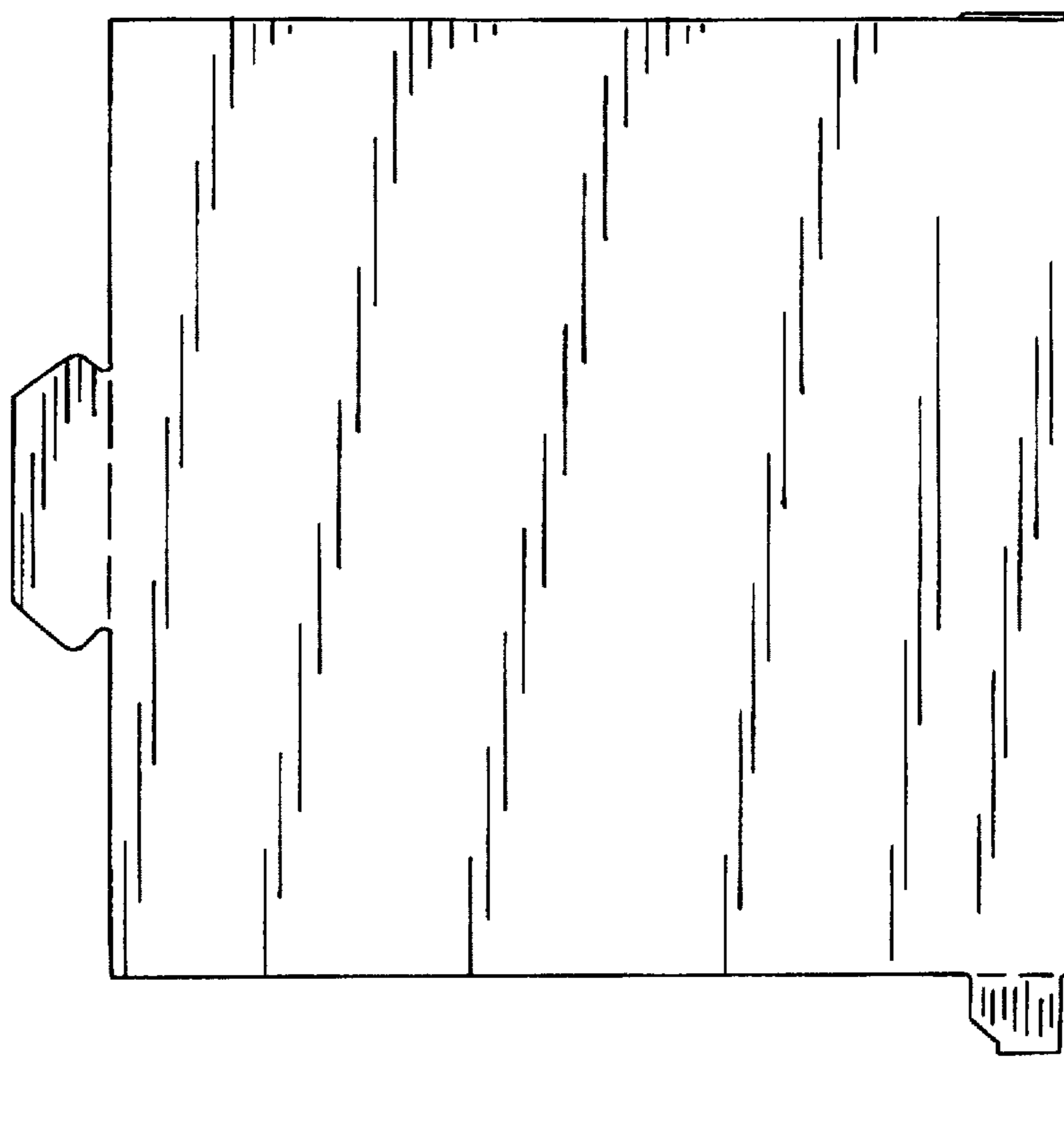


FIG. 42