



US00D390106S

# United States Patent [19] Dauphin

[11] Patent Number: **Des. 390,106**  
[45] Date of Patent: **\*\*Feb. 3, 1998**

[54] **PRODUCE TRAY**  
[75] Inventor: **Michel Dauphin**, Agincourt, Canada  
[73] Assignee: **Plastic Supplies Manufacturing**,  
Concord, Canada  
[\*\*] Term: **14 Years**

2,985,333 5/1961 Kirkman ..... D9/347 X  
4,905,836 3/1990 Lindgren et al. .... 206/557  
5,085,879 2/1992 Elbaz ..... 206/557 X  
5,393,539 2/1995 ResowX ..... 206/557 X

*Primary Examiner*—Sandra L. Morris  
*Assistant Examiner*—Nanda Bondade  
*Attorney, Agent, or Firm*—Fitzpatrick, Cella, Harper & Scinto

[21] Appl. No.: **52,326**  
[22] Filed: **Apr. 2, 1996**  
[30] **Foreign Application Priority Data**

[57] **CLAIM**

The ornamental design for a produce tray, as shown and described.

Nov. 10, 1995 [CA] Canada ..... 1995-2532

**DESCRIPTION**

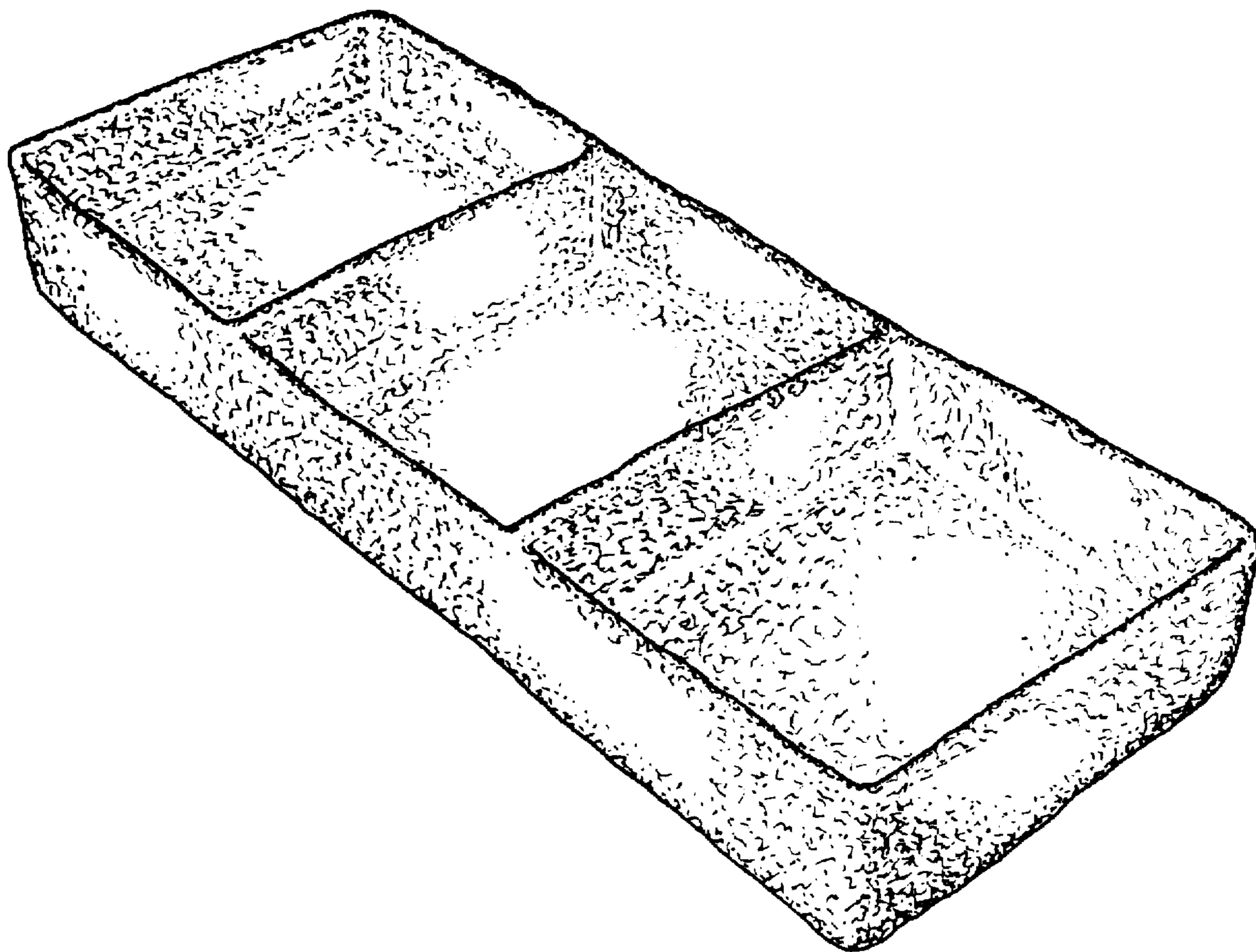
[51] **LOC (6) Cl.** ..... **09-03**  
[52] **U.S. Cl.** ..... **D9/341**  
[58] **Field of Search** ..... D9/341, 345, 347-348,  
D9/424, 432; 206/557, 558, 561, 564

FIG. 1 is a top, left and front perspective view of a produce tray showing my new design;  
FIG. 2 is a bottom, right and rear perspective view thereof;  
FIG. 3 is a right side elevational view thereof, the opposite side being identical;  
FIG. 4 is a top view thereof; and,  
FIG. 5 is a detailed view of the bubble shown in FIG. 3.

[56] **References Cited**  
**U.S. PATENT DOCUMENTS**

D. 218,514 8/1970 Fossella et al. .... D9/347

**1 Claim, 3 Drawing Sheets**



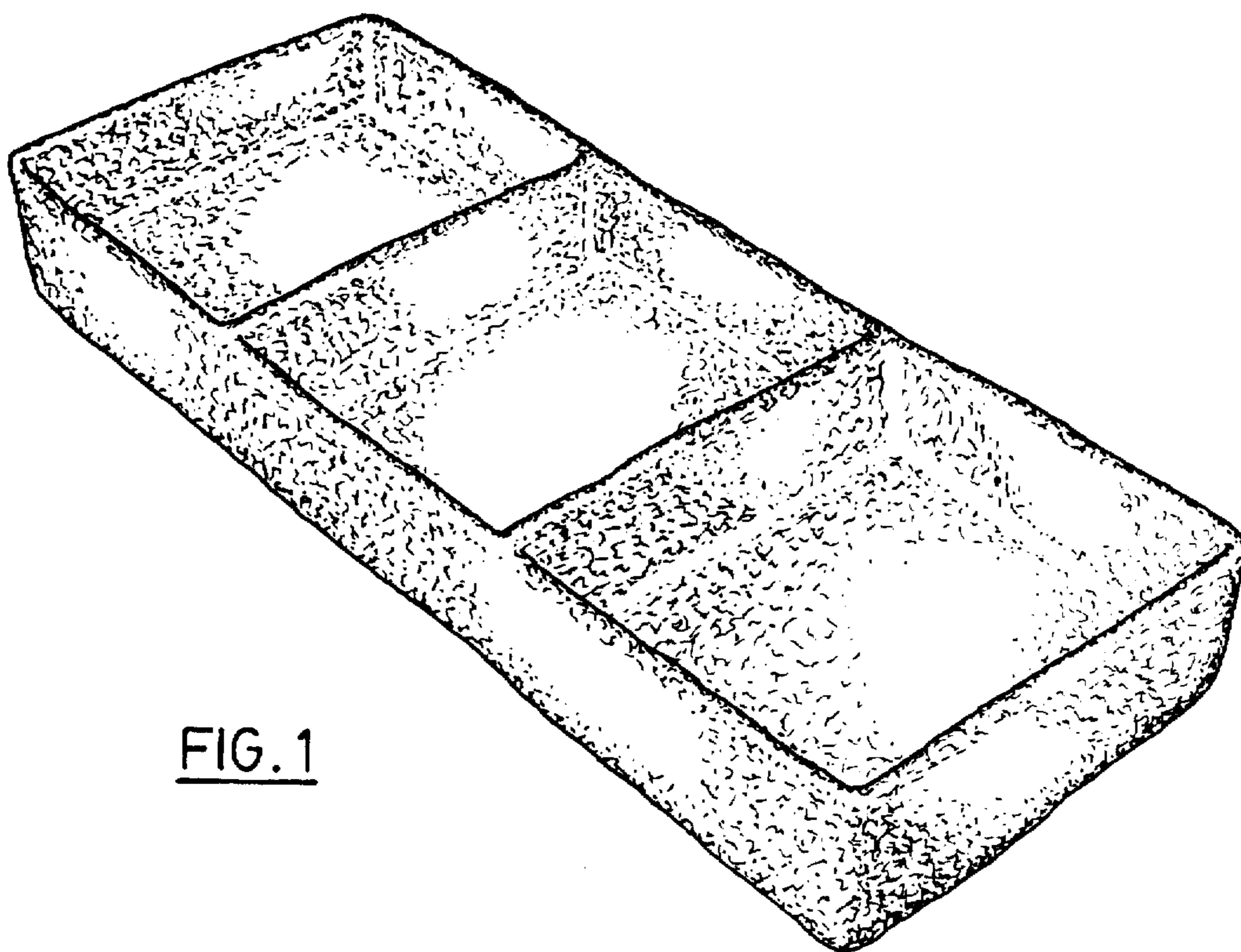


FIG. 1

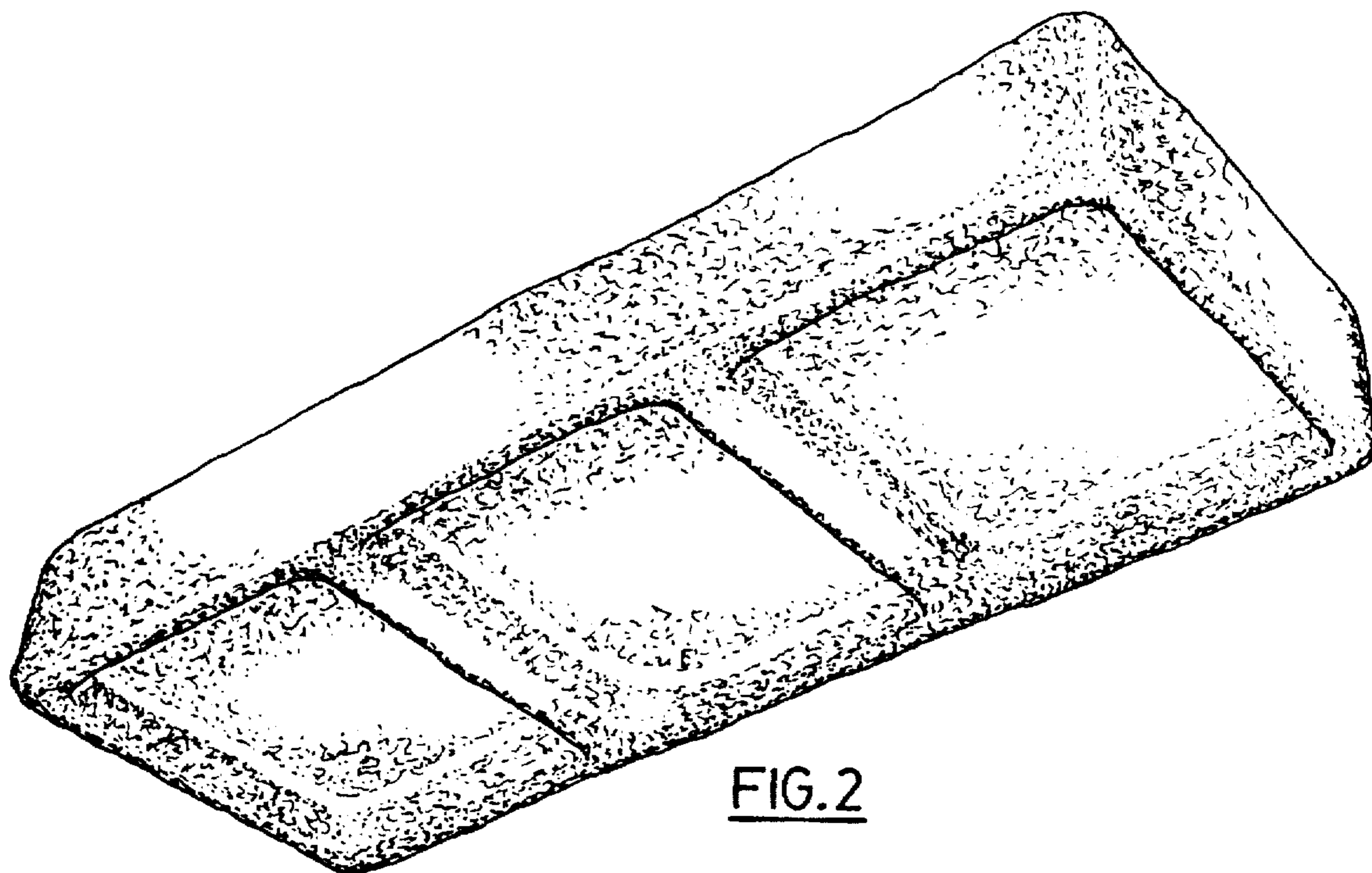


FIG. 2

FIG.3

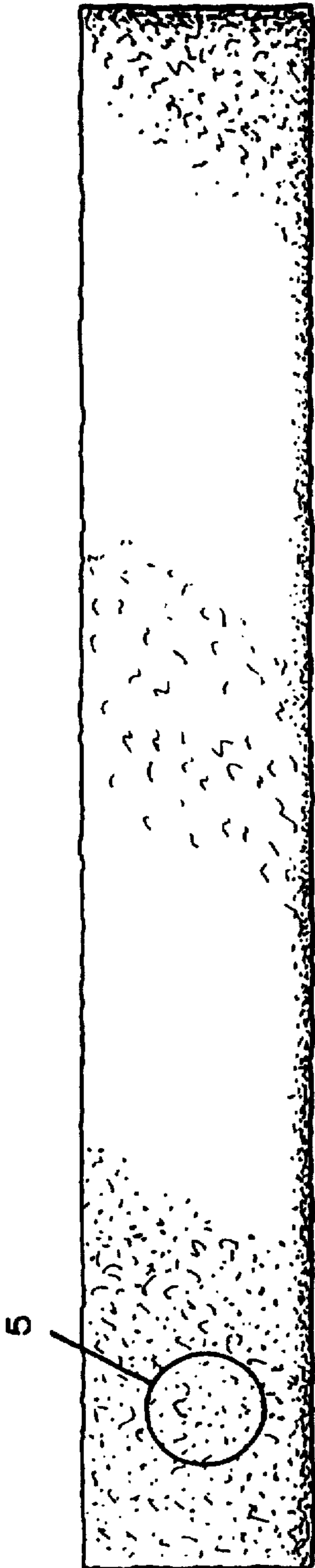
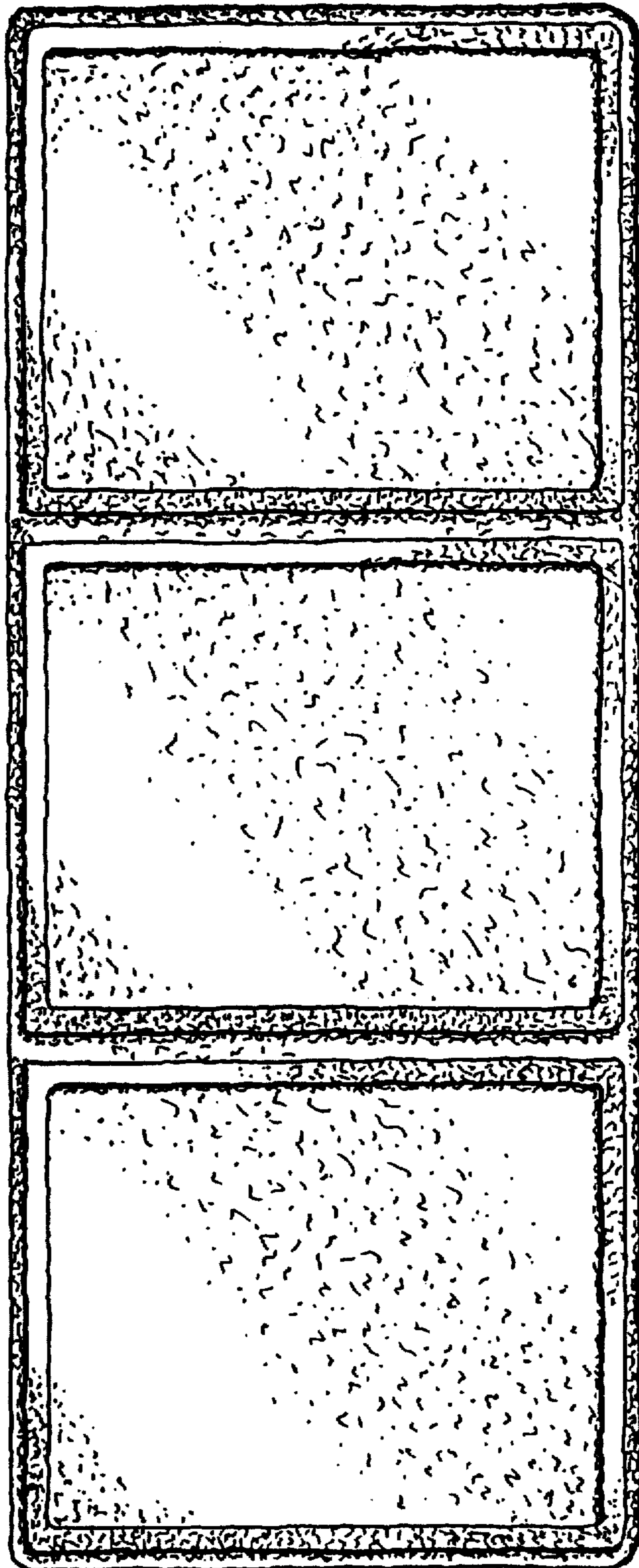
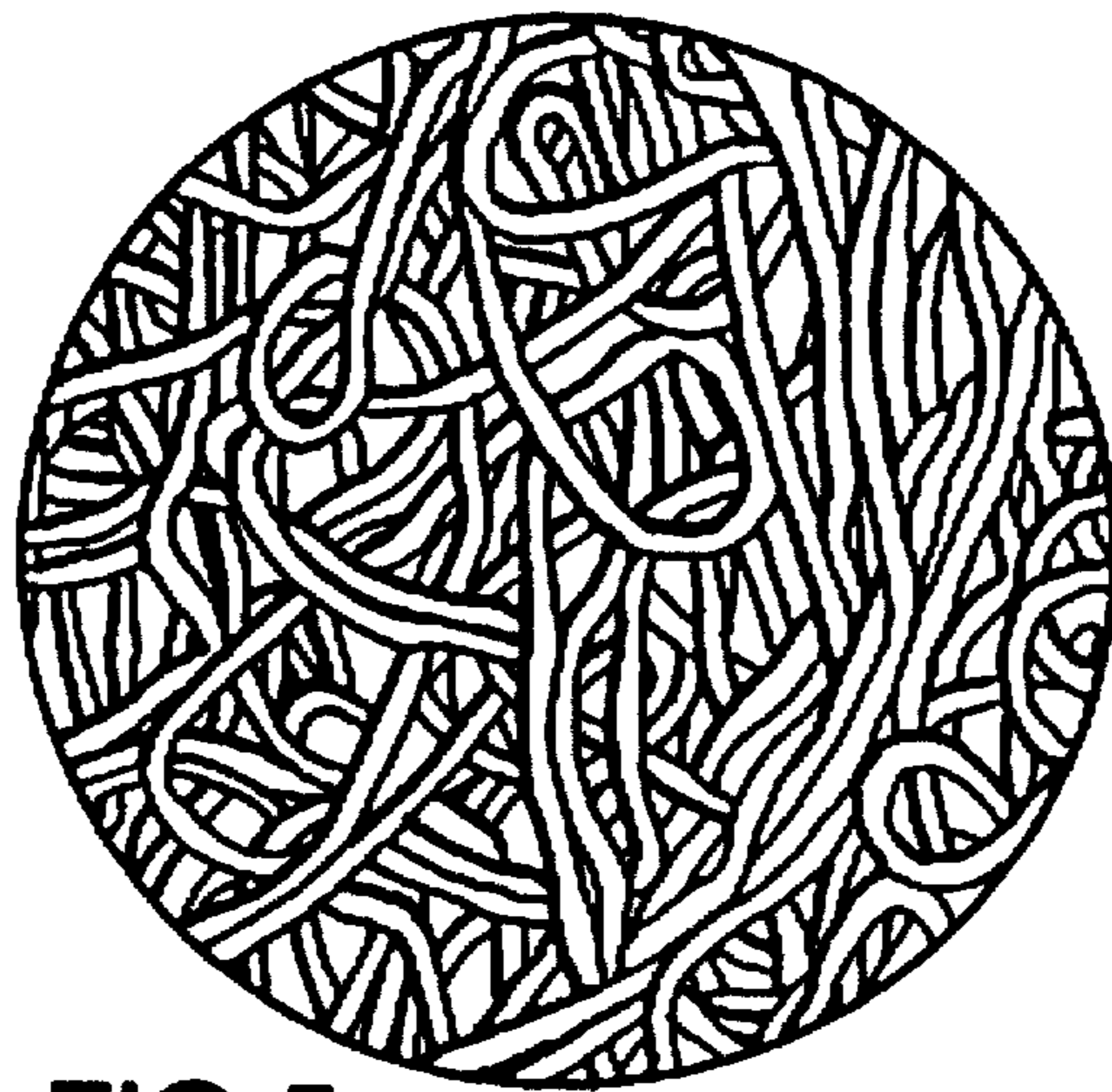


FIG.4





**FIG.5**