



US00D390102S

United States Patent [19]

[11] Patent Number: **Des. 390,102**

Drew

[45] Date of Patent: ****Feb. 3, 1998**

[54] **CANDY DISPENSER**

D. 268,326	3/1983	Witt, Jr.	D9/307
D. 269,498	6/1983	Witt, Jr.	D9/307
5,511,776	4/1996	Huru	473/563

[76] Inventor: **David Drew**, 1870 Elmdale Ave.,
Glenview, Ill. 60025

[**] Term: **14 Years**

Primary Examiner—Martie Thompson
Attorney, Agent, or Firm—Weintraub & Brady

[21] Appl. No.: **64,989**

[57] **CLAIM**

[22] Filed: **Jan. 16, 1997**

The ornamental design for a candy dispenser, as shown and described.

[51] LOC (6) Cl. **09-01**

DESCRIPTION

[52] U.S. Cl. **D9/307; D9/339; D21/210; D19/42**

FIG. 1 is a perspective view of a candy dispenser showing my new design;

[58] Field of Search D21/210, 211;
D9/307, 337, 339, 526; 206/457; D7/509,
510; 221/24, 69, 155, 296; D6/515, 518;
473/563

FIG. 2 is a top view thereof;

FIG. 3 is a first side elevational view thereof;

FIG. 4 is a first end elevational view thereof;

FIG. 5 is a second side elevational view thereof, as seen from the side opposite that of FIG. 3;

FIG. 6 is a second end elevational view thereof, as seen from the end opposite that of FIG. 4; and,

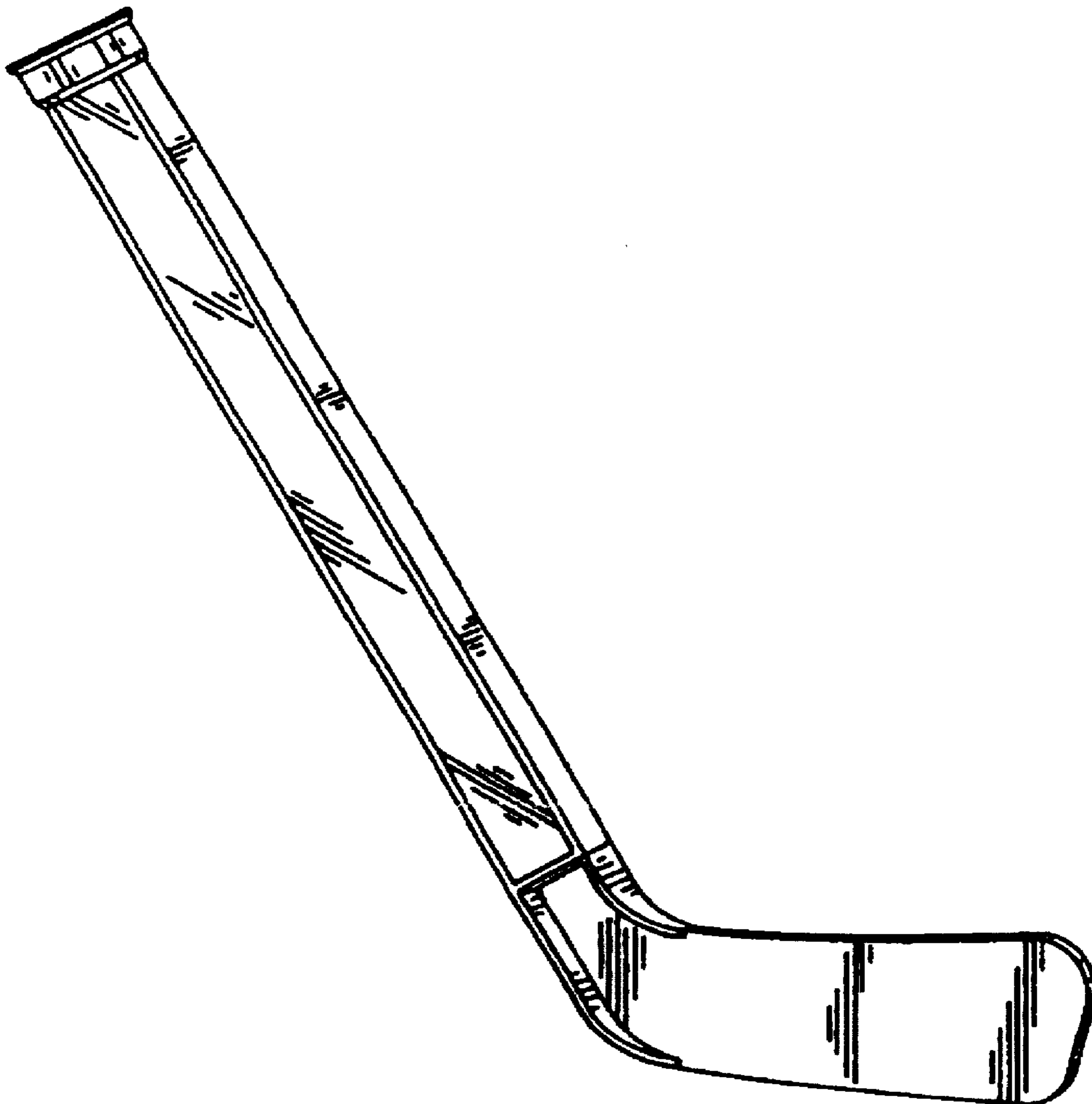
FIG. 7 is a bottom plan view thereof.

[56] **References Cited**

U.S. PATENT DOCUMENTS

D. 230,166	1/1974	Leclerc	D21/210
D. 255,200	6/1980	Block et al.	D9/526 X
D. 264,863	6/1982	Walmsley	D21/210
D. 267,854	2/1983	Witt, Jr.	D9/307

1 Claim, 1 Drawing Sheet



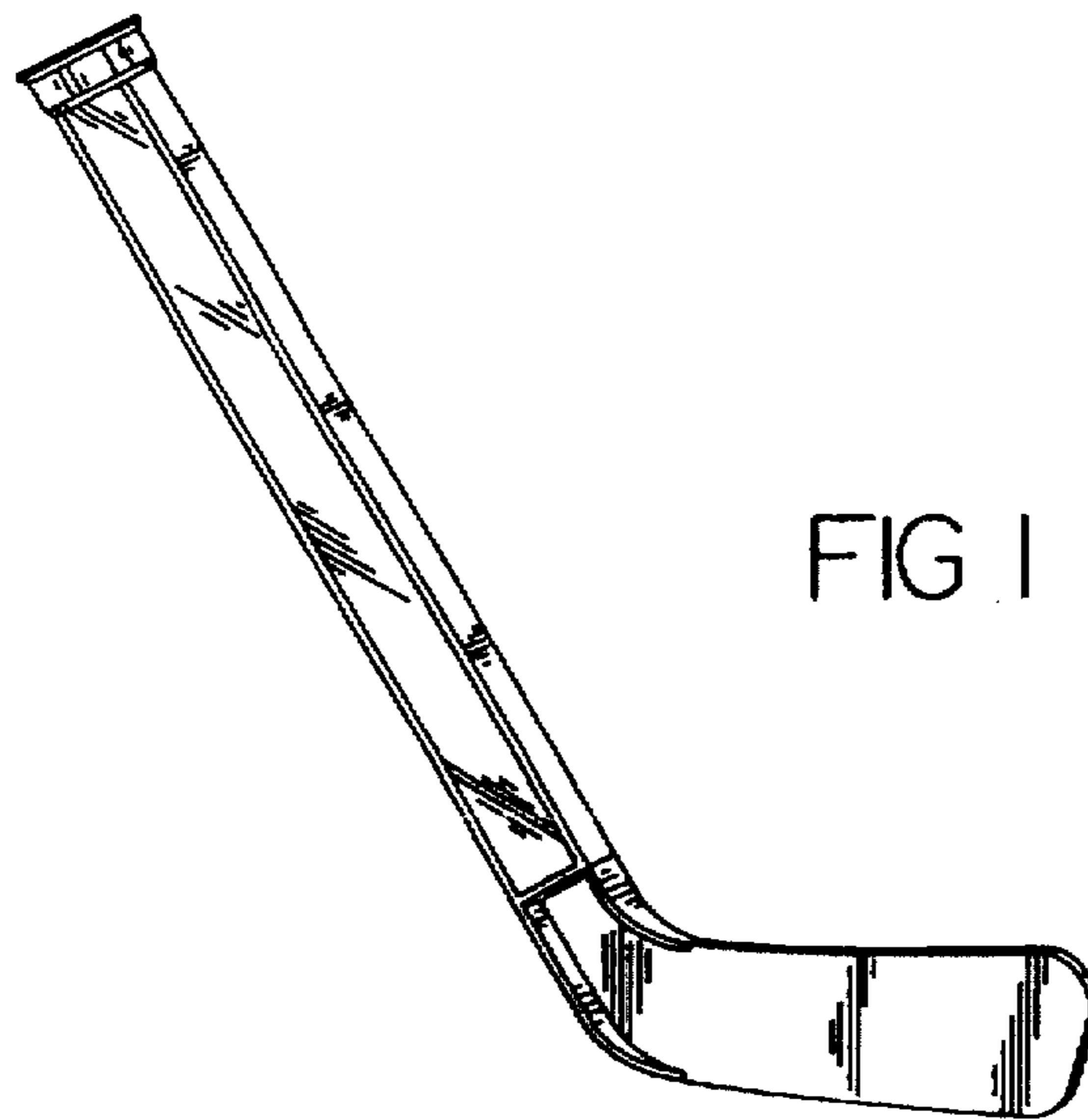


FIG 1

FIG 2

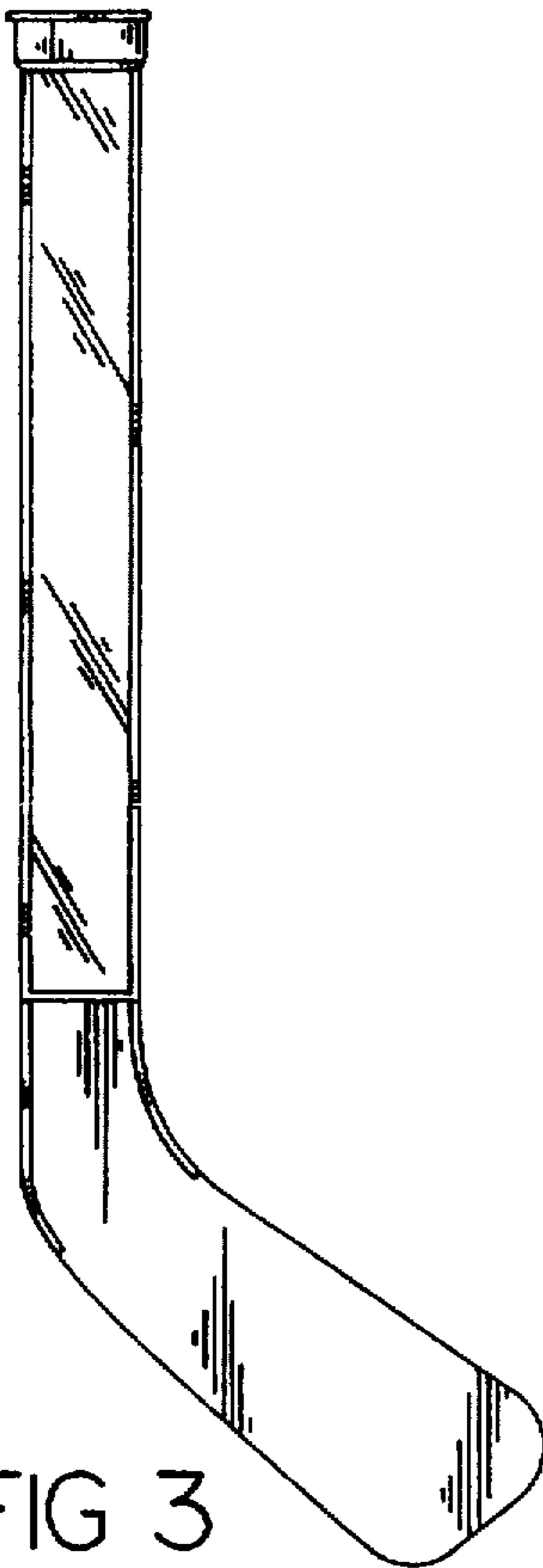


FIG 3



FIG 4

FIG 5



FIG 6

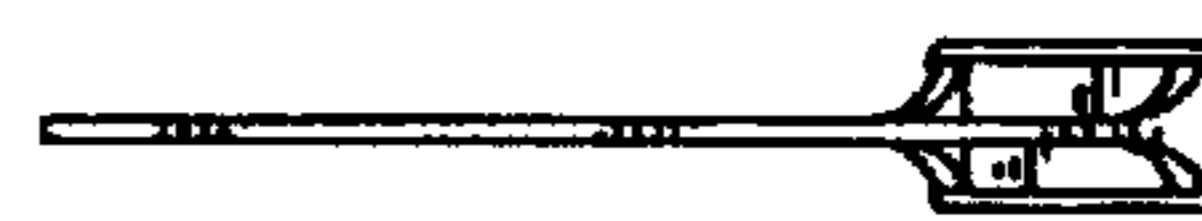
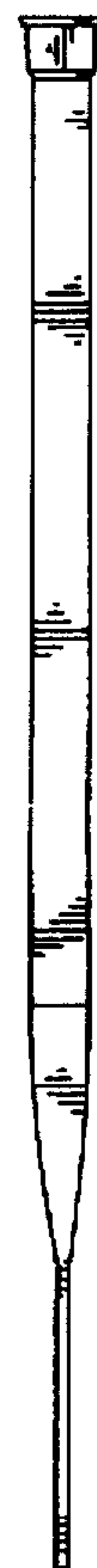


FIG 7