

US00D390101S

United States Patent [19]
Nygards

[11] **Patent Number: Des. 390,101**

[45] **Date of Patent: **Feb. 3, 1998**

[54] **TOOL HOLDER**

[76] **Inventor: Nils Nygards, 7435 Hwy. 65,
Minneapolis, Minn. 55432**

[**] **Term: 14 Years**

[21] **Appl. No.: 55,586**

[22] **Filed: Jun. 7, 1996**

[51] **LOC (6) Cl. 08-08**

[52] **U.S. Cl. D8/395; D8/71**

[58] **Field of Search D8/96, 71, 382,
D8/373, 394, 396, 395; 248/74.1, 71, 316.7;
24/200 W**

[56] **References Cited**

U.S. PATENT DOCUMENTS

D. 241,314	9/1976	Hug	D8/395
773,710	11/1904	Bronson	248/74.1 X
1,423,043	7/1922	Steinheiser	248/682
4,451,955	6/1984	Kern et al.	D8/73 X

Primary Examiner—Antoine Duval Davis
Attorney, Agent, or Firm—D. L. Tschida

[57] **CLAIM**

The ornamental design for a tool holder, as shown.

DESCRIPTION

FIG. 1 is a perspective drawing showing my tool holder;
FIG. 2 is a front elevation drawing thereof, the rear view
being identical;
FIG. 3 is a top plan view thereof;
FIG. 4 is a bottom plan view thereof;
FIG. 5 is a right side elevation view thereof, the left side
view being identical; and
FIG. 6 is a perspective drawing showing a second embodi-
ment of my tool holder;
FIG. 7 is a front elevation view of the second embodiment,
the rear view being identical;
FIG. 8 is a top plan view thereof;
FIG. 9 is bottom plan view thereof;
FIG. 10 is a right side elevation view thereof, the left side
view being identical; and,
FIG. 11 is a perspective drawing showing a third embodi-
ment of my tool holder.

1 Claim, 5 Drawing Sheets

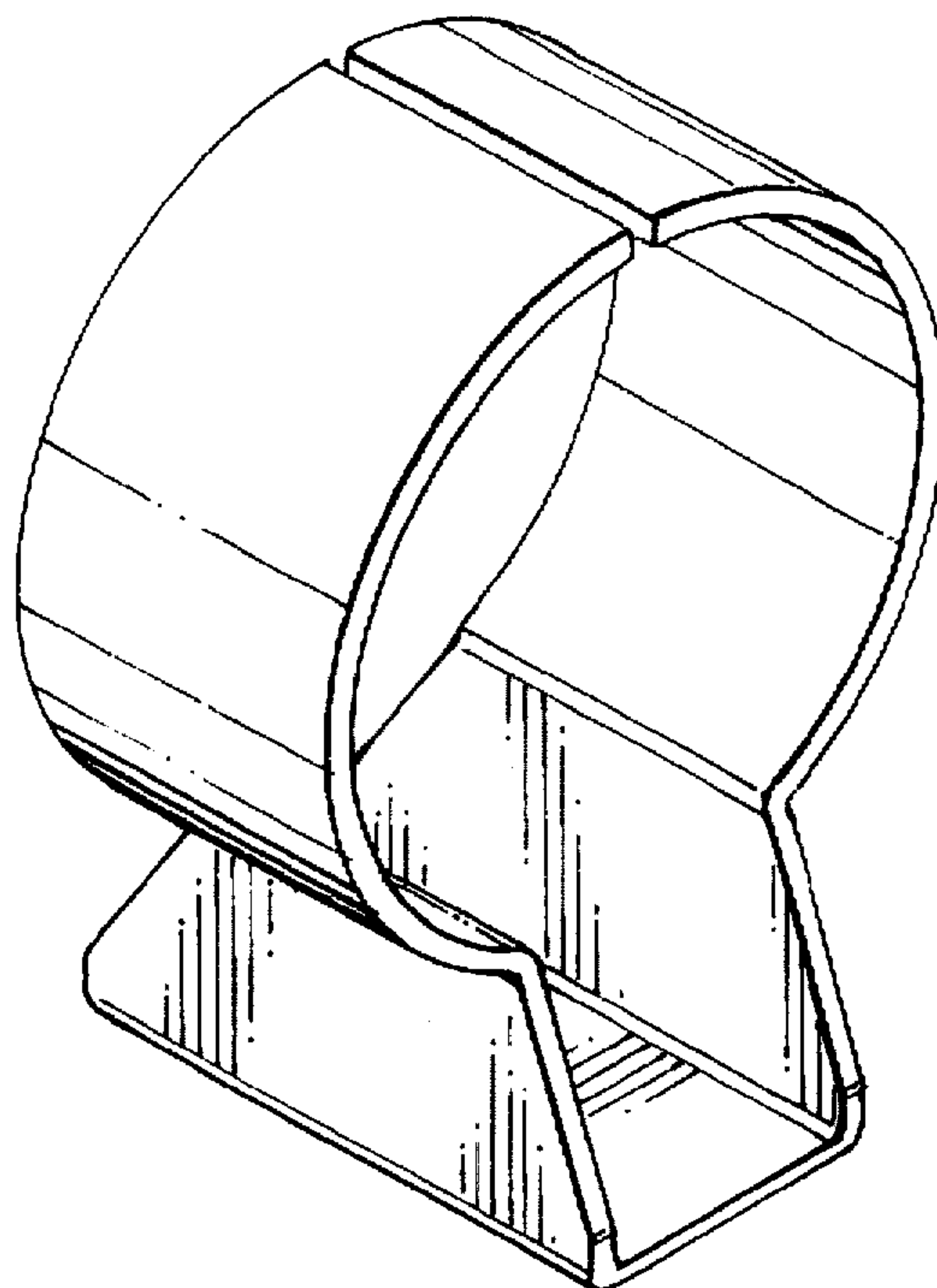


Fig. 1

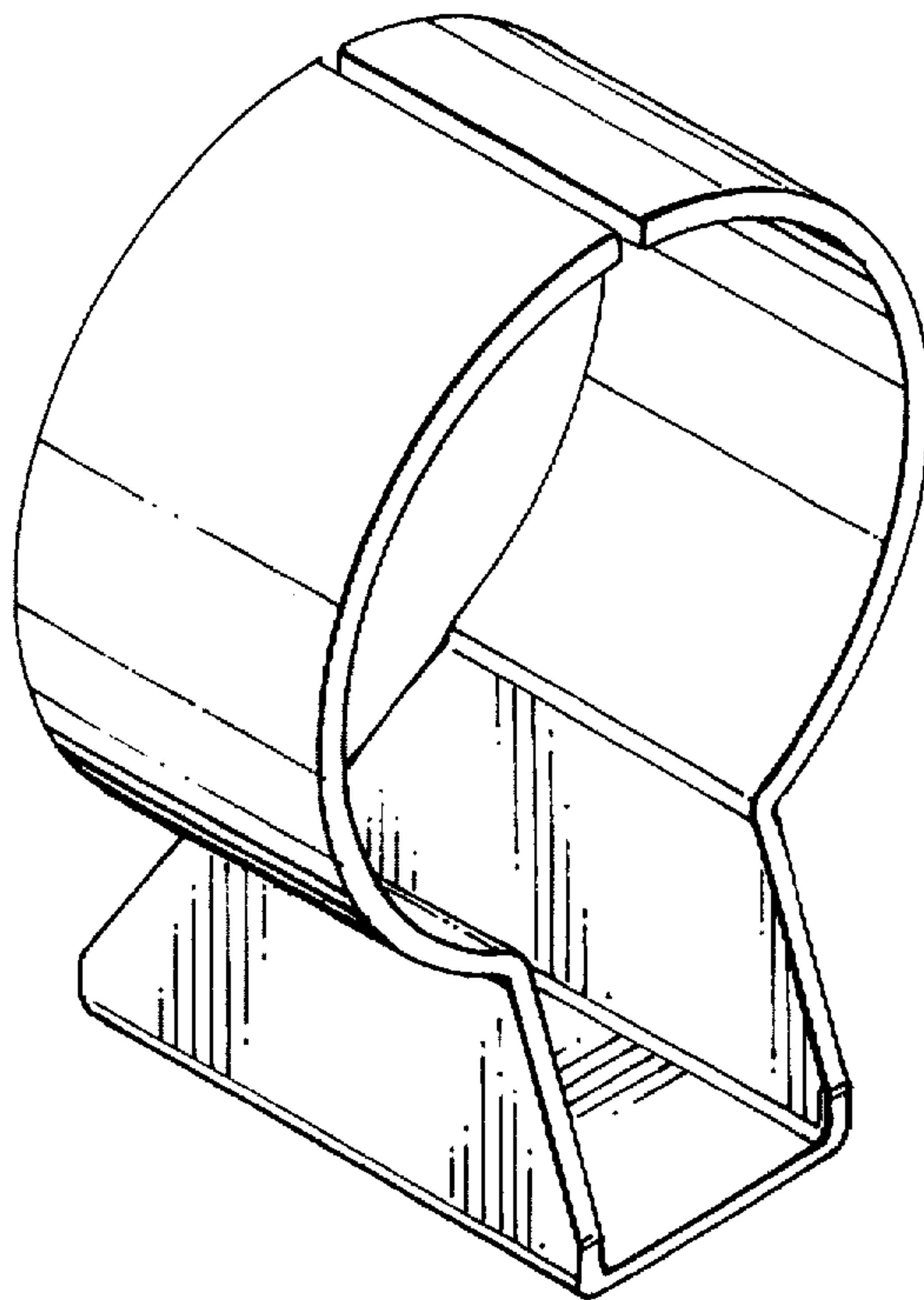


Fig. 2

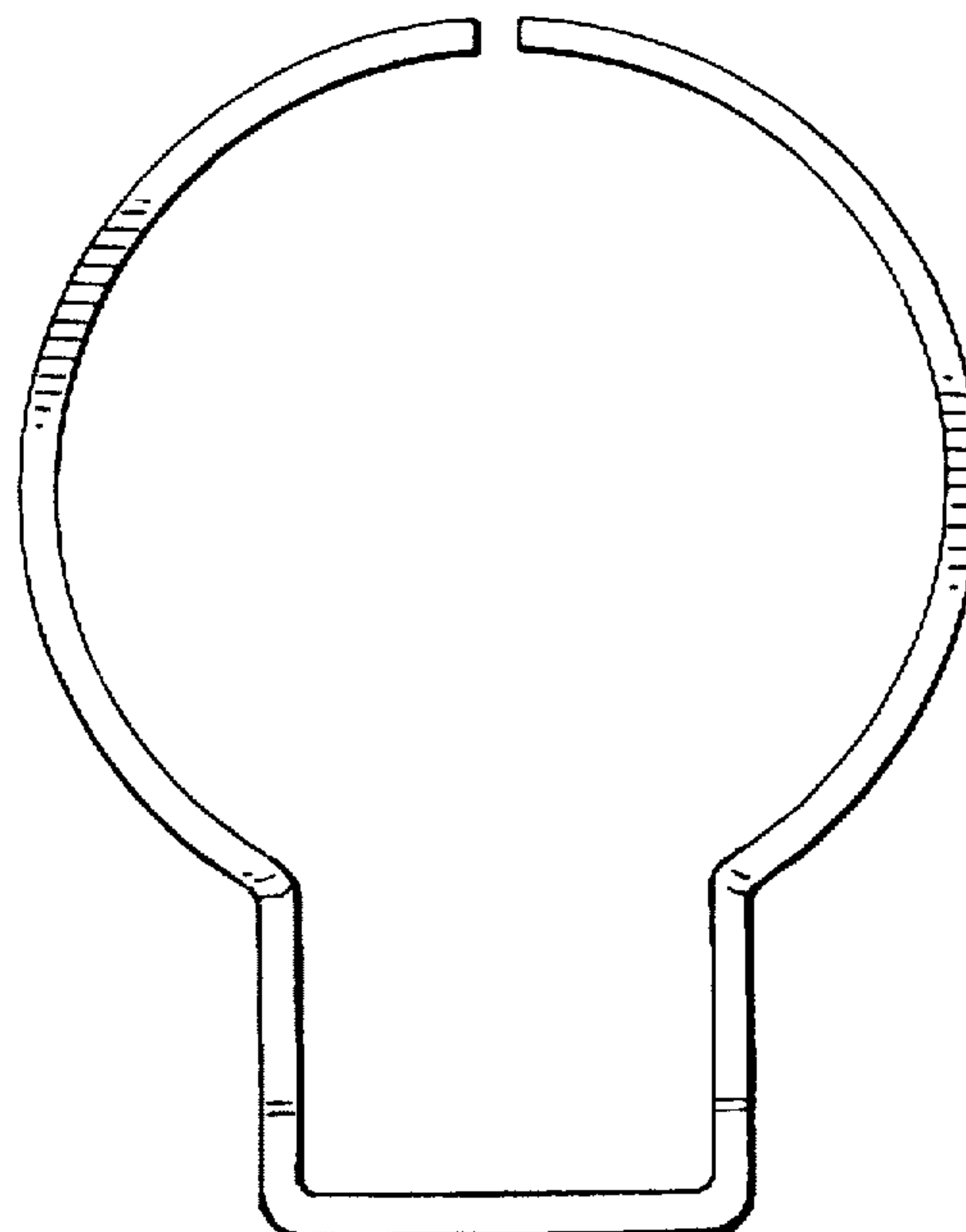


Fig. 3

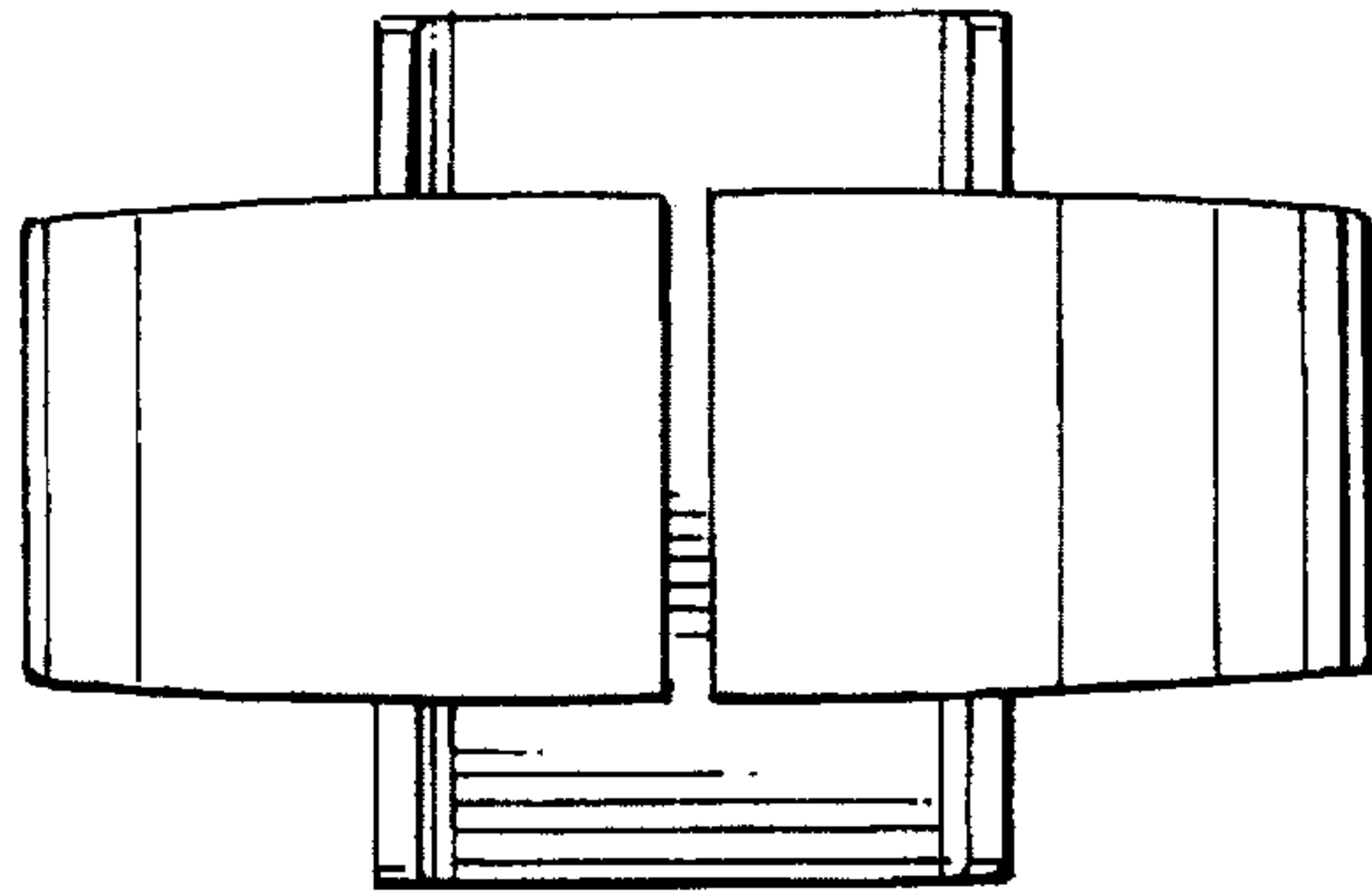


Fig. 4

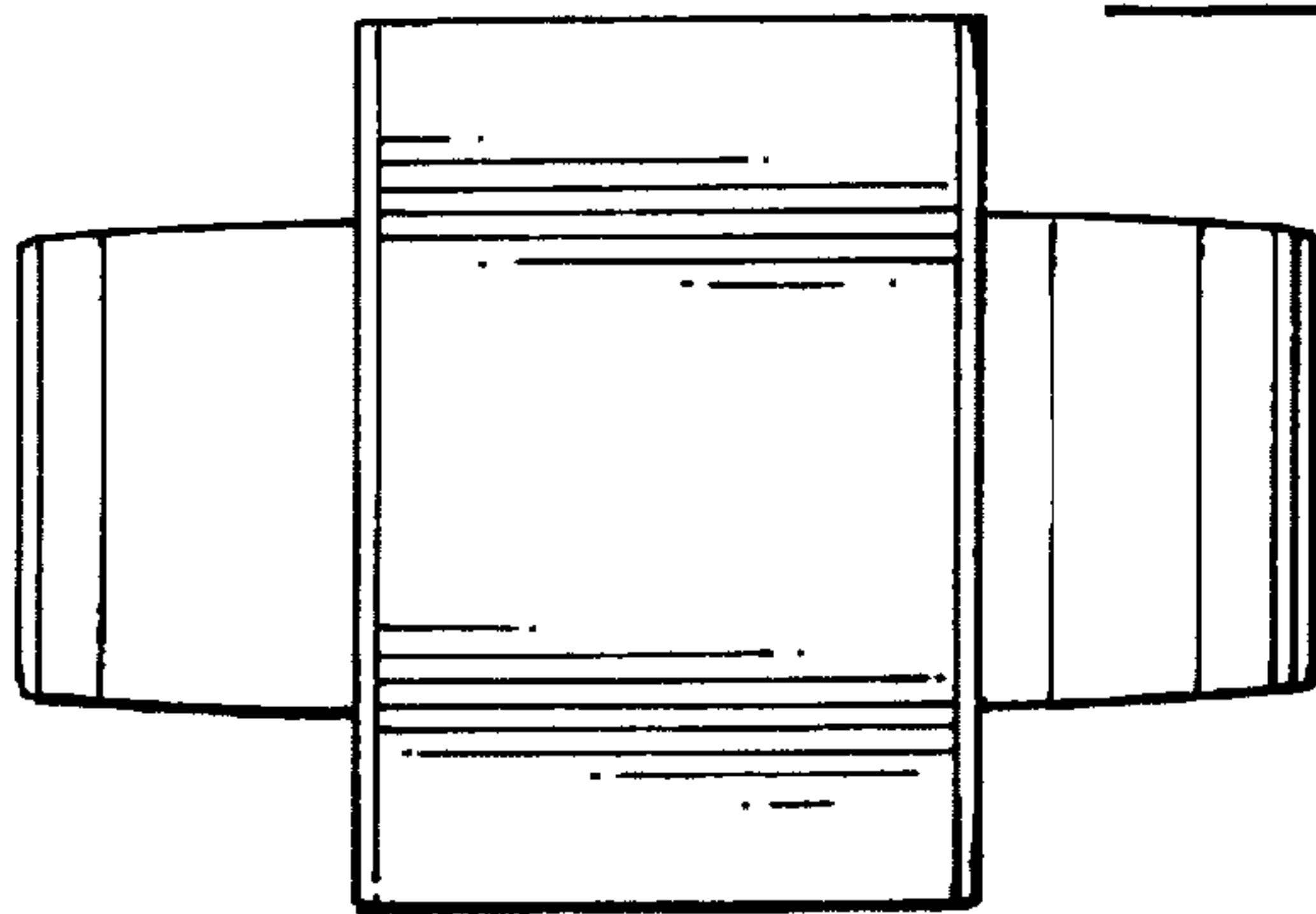


Fig. 5

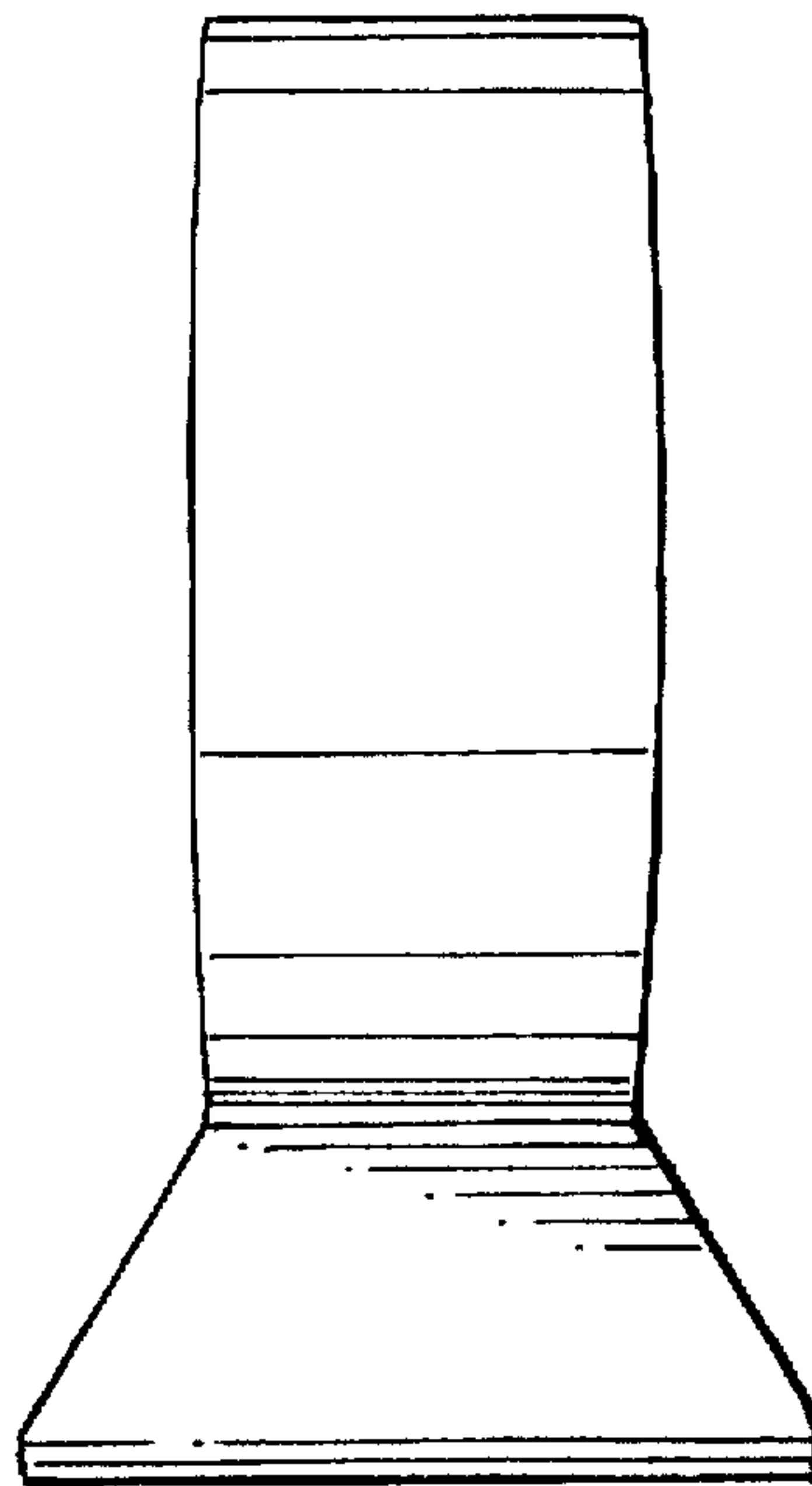


Fig. 6

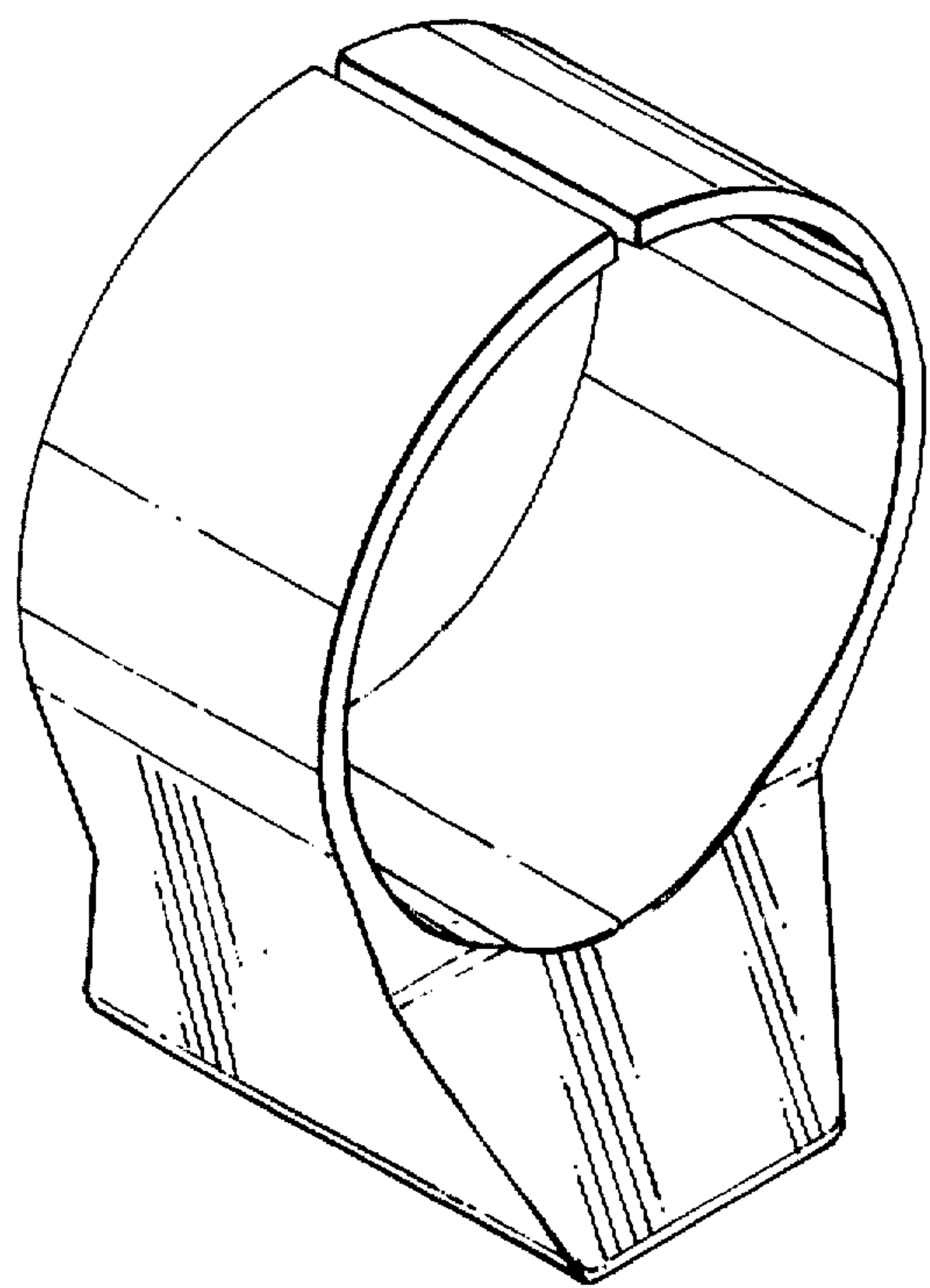


Fig. 7

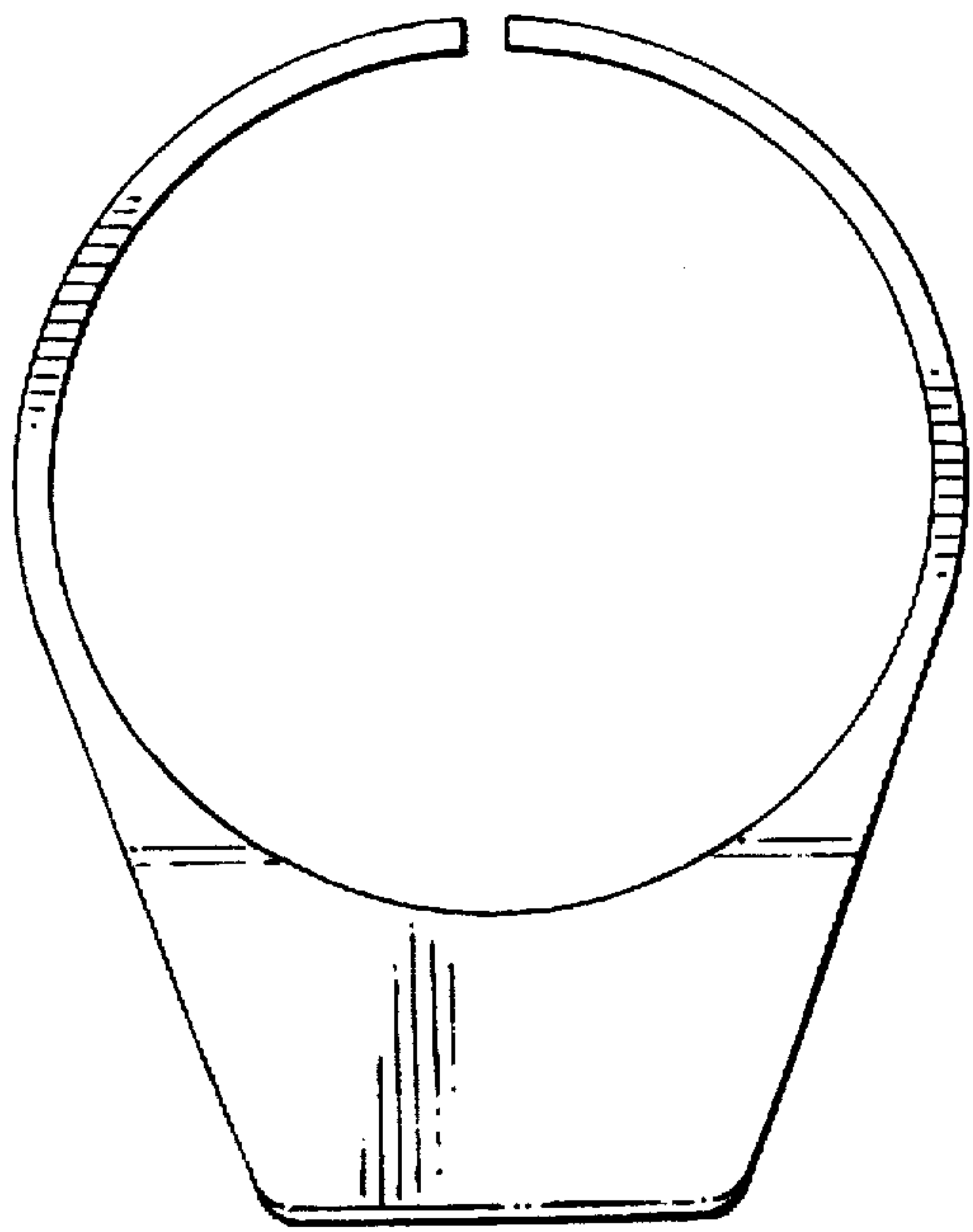


Fig. 8

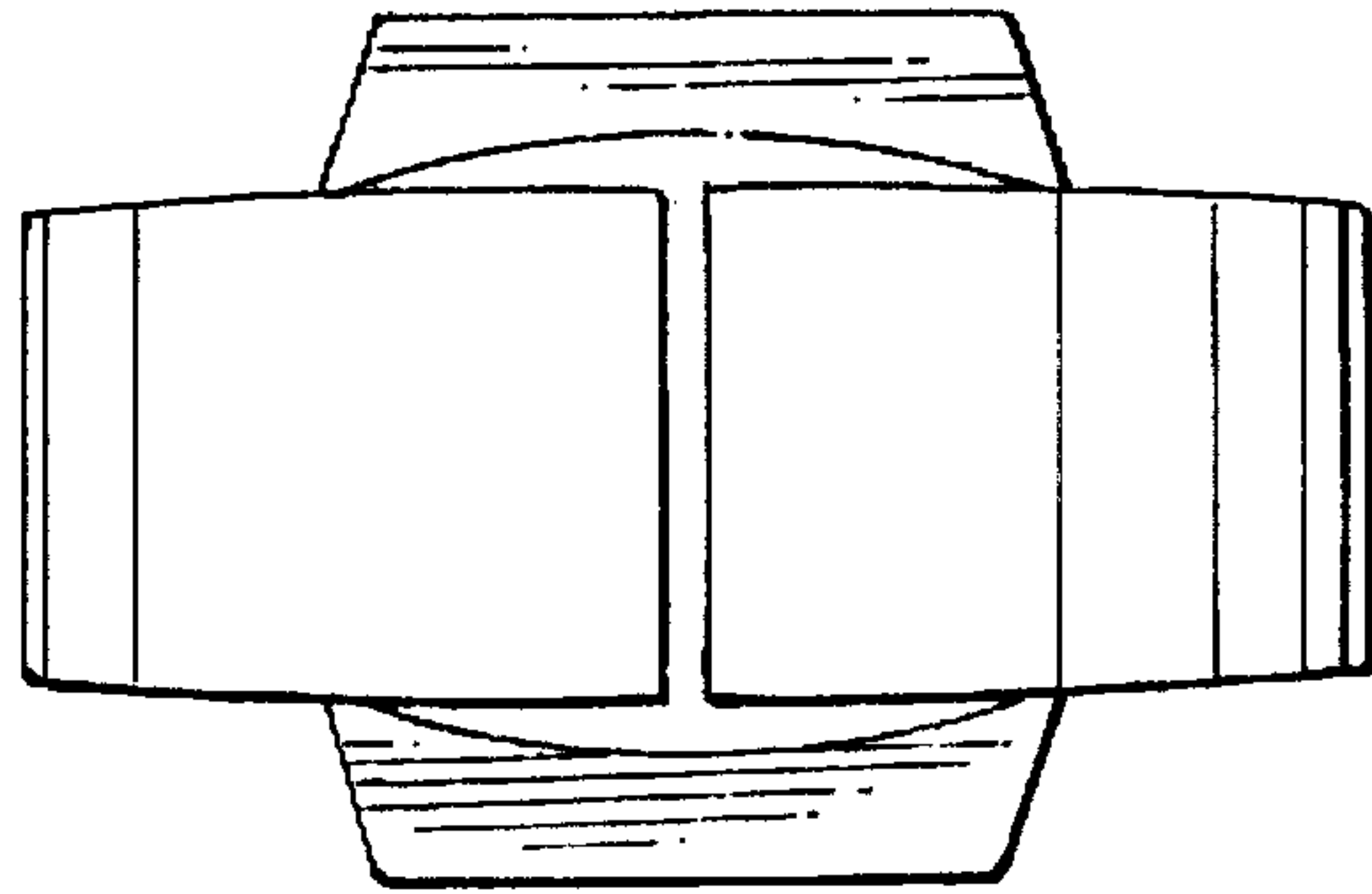


Fig. 9

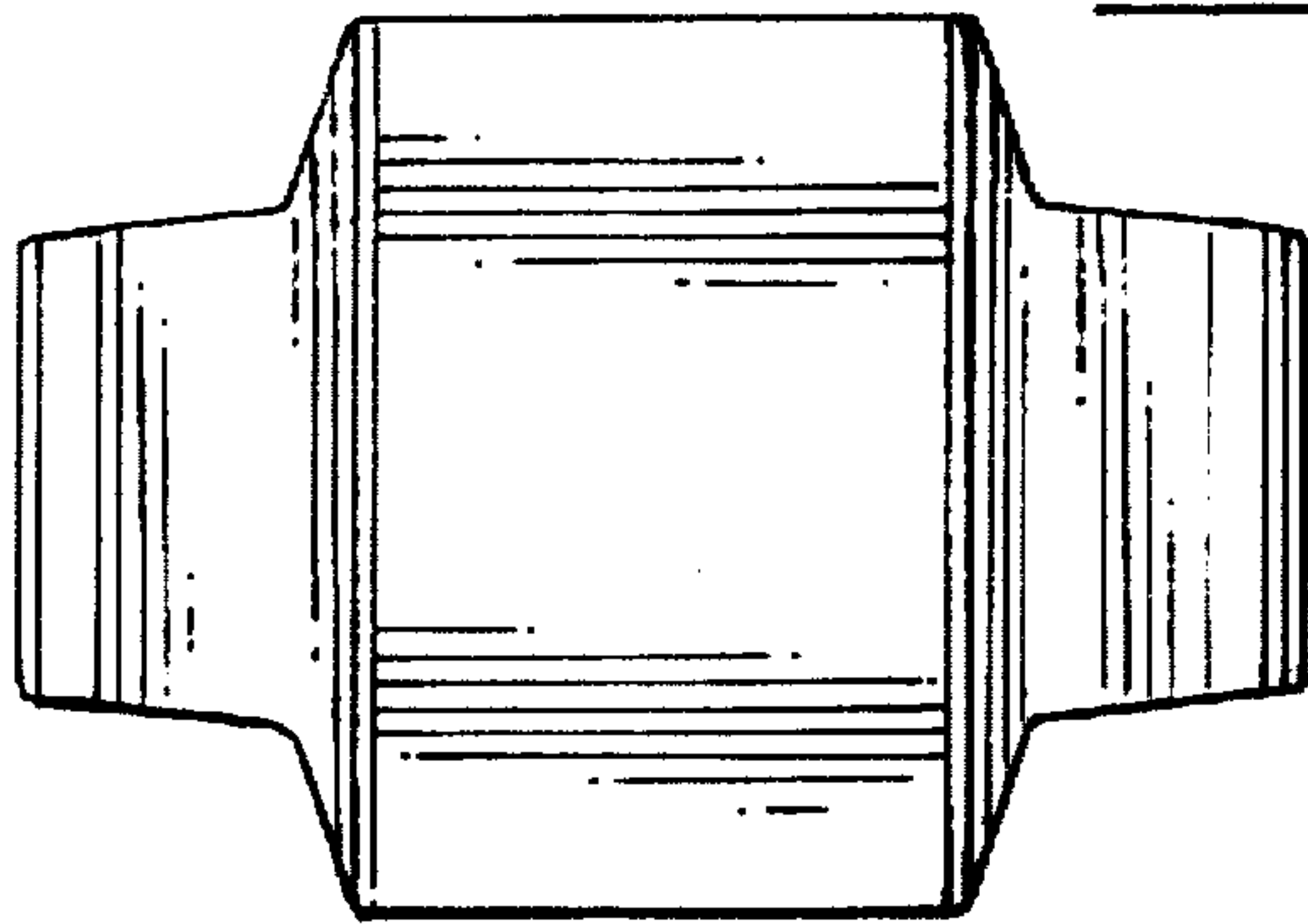
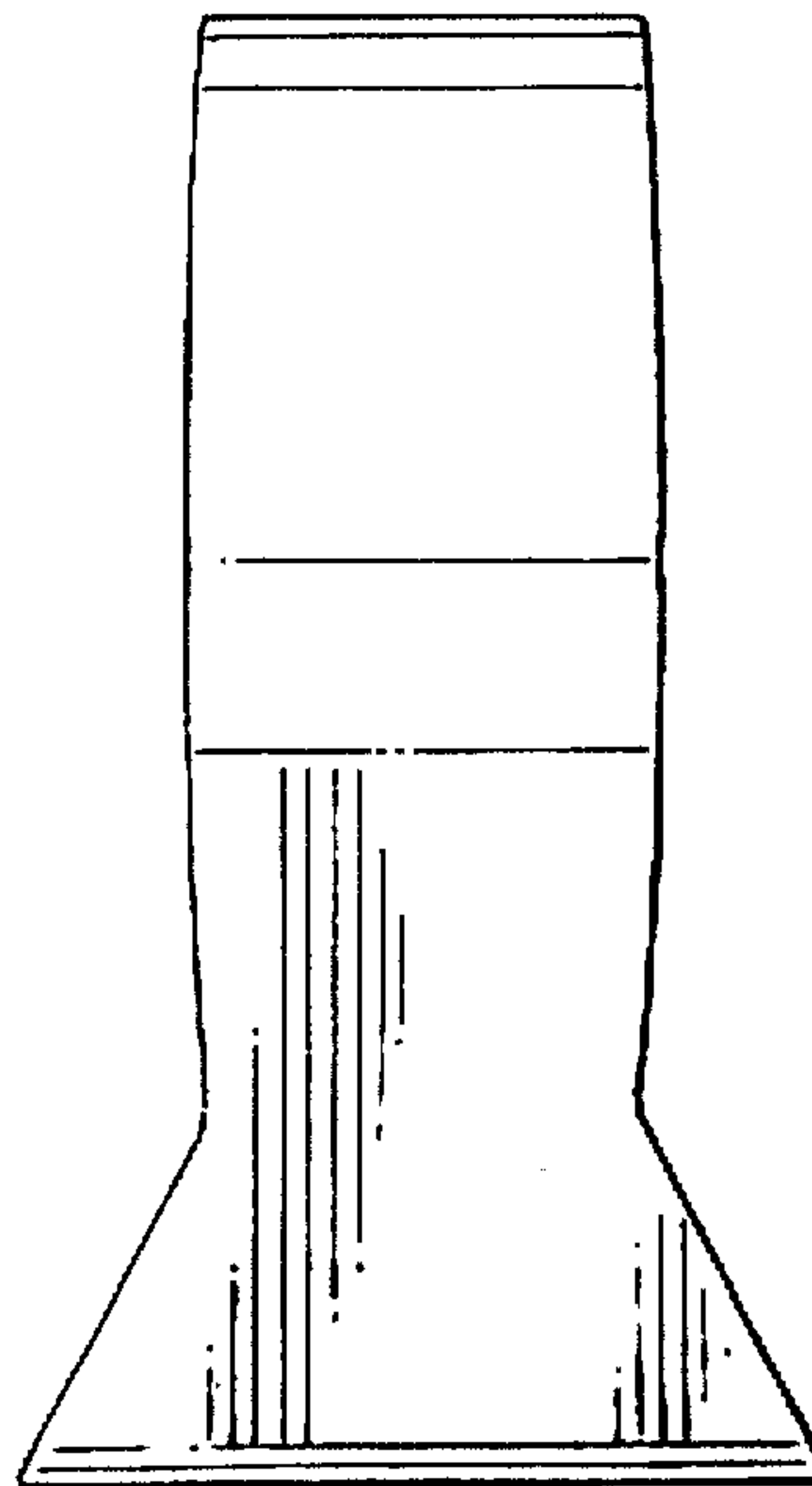


Fig. 10



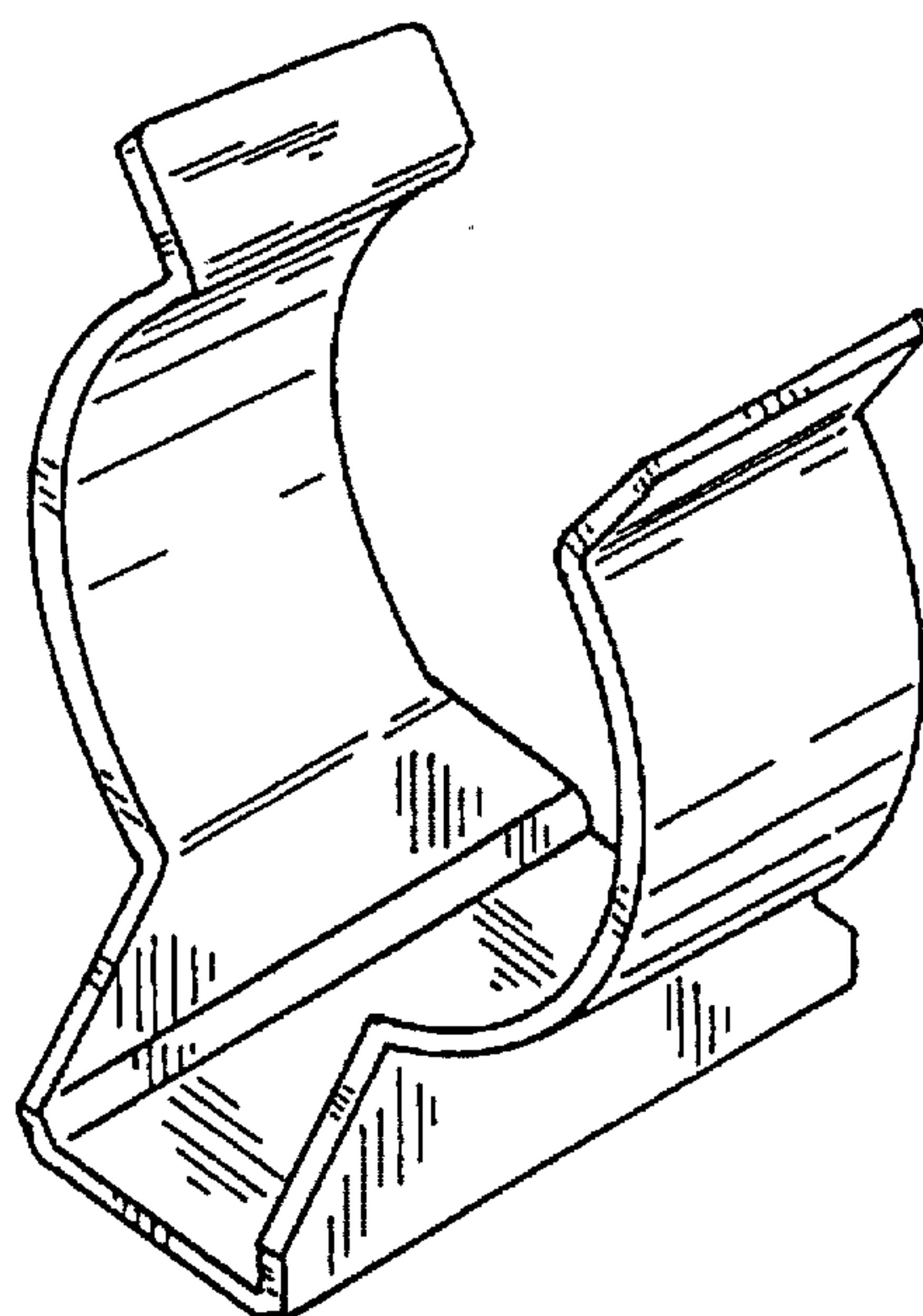


Fig. 11