



US00D390100S

United States Patent [19]
Thatcher

[11] **Patent Number:** **Des. 390,100**
[45] **Date of Patent:** ****Feb. 3, 1998**

[54] **CAM ACTION CLAMP DEVICE**

[76] **Inventor:** **Russell S. Thatcher**, P.O. Box 509,
Anderson, Tex. 77830

[**] **Term:** **14 Years**

[21] **Appl. No.:** **55,232**

[22] **Filed:** **Jun. 3, 1996**

[51] **LOC (6) Cl.** **08-08**

[52] **U.S. Cl.** **D8/394; D8/387; D8/397**

[58] **Field of Search** **D8/71-74, 394,**
D8/382, 387, 397, 398; D19/32, 65, 86,
66; 411/354, 433; 269/244; 24/67.1; 402/60,
63-67, 53; 281/27.3, 45, 50

[56] **References Cited**

U.S. PATENT DOCUMENTS

D. 215,826	11/1969	Wheatley, Jr.	D8/394
D. 236,941	9/1975	Seaverns	D8/73
D. 283,591	4/1986	Swanstrom	D8/382 X
D. 346,954	5/1994	Vandermast	D8/382
767,670	8/1904	Tentschert	402/53
1,178,886	4/1916	Switzer	402/63
1,731,156	10/1929	Wolf	402/65 X
1,859,689	5/1932	Wolf	402/64 X
2,439,826	4/1948	Snyder	24/67.1 X

OTHER PUBLICATIONS

PIP Self-Locking Quick-release Pins, Jan. 1958, front page:
"Z" type short grip-long body pin.

Primary Examiner—Ted Shooman
Assistant Examiner—C. Tuttle
Attorney, Agent, or Firm—Kenneth A. Roddy

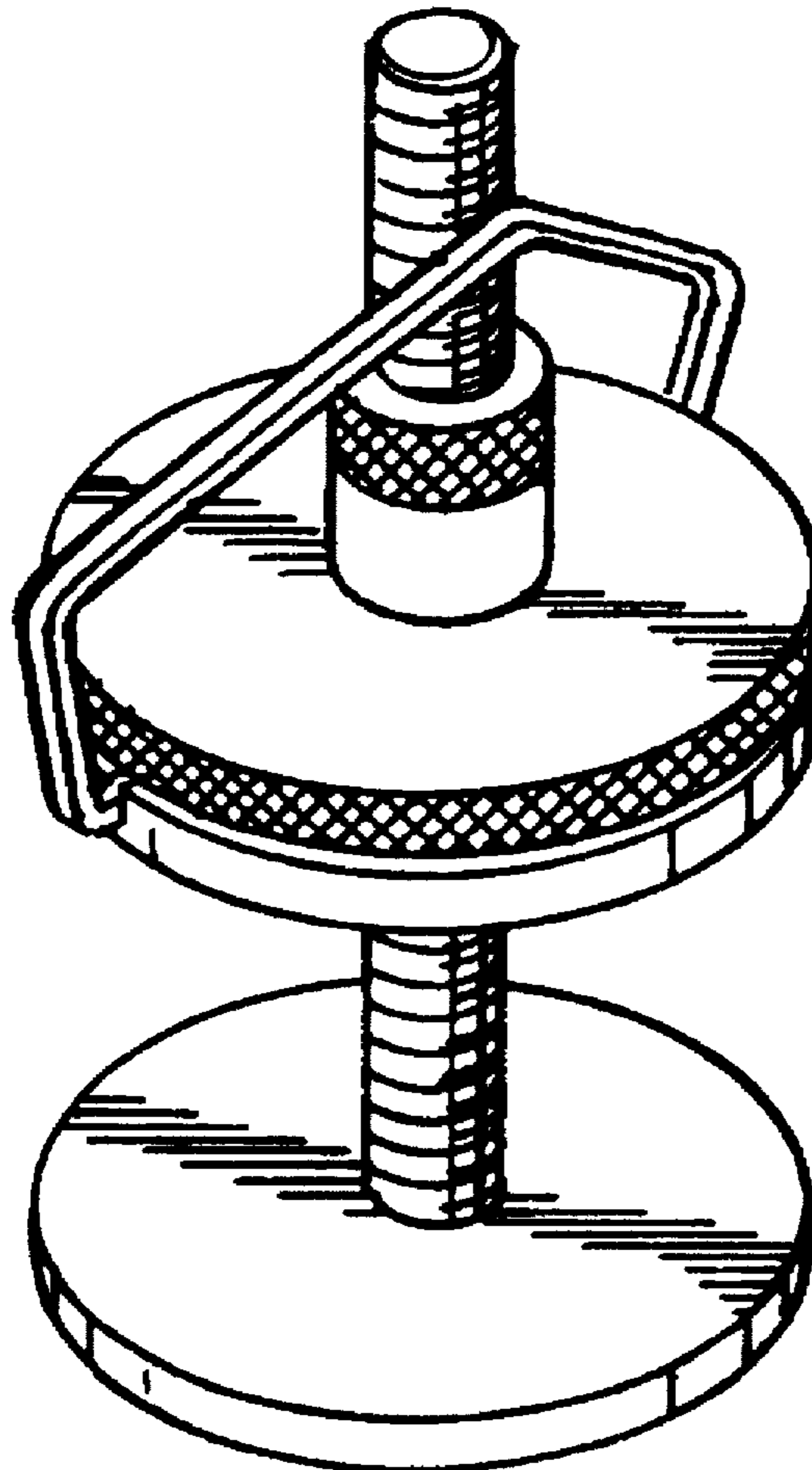
[57] **CLAIM**

The ornamental design for a cam action clamp device, as shown and described.

DESCRIPTION

FIG. 1 is a side elevation view of a cam action clamp device showing my new design with the cam lever in a raised position;
FIG. 2 is a side elevation view thereof showing my new design with the cam lever in a lowered position;
FIG. 3 is a top plan view thereof showing the cam lever in the lowered position;
FIG. 4 is a perspective view thereof at a smaller scale showing my new design from the top and one side with the cam lever in the raised position; and,
FIG. 5 is a perspective view thereof showing my new design from the bottom and side opposite that shown in FIG. 1 with the cam lever in the raised position.

1 Claim, 1 Drawing Sheet



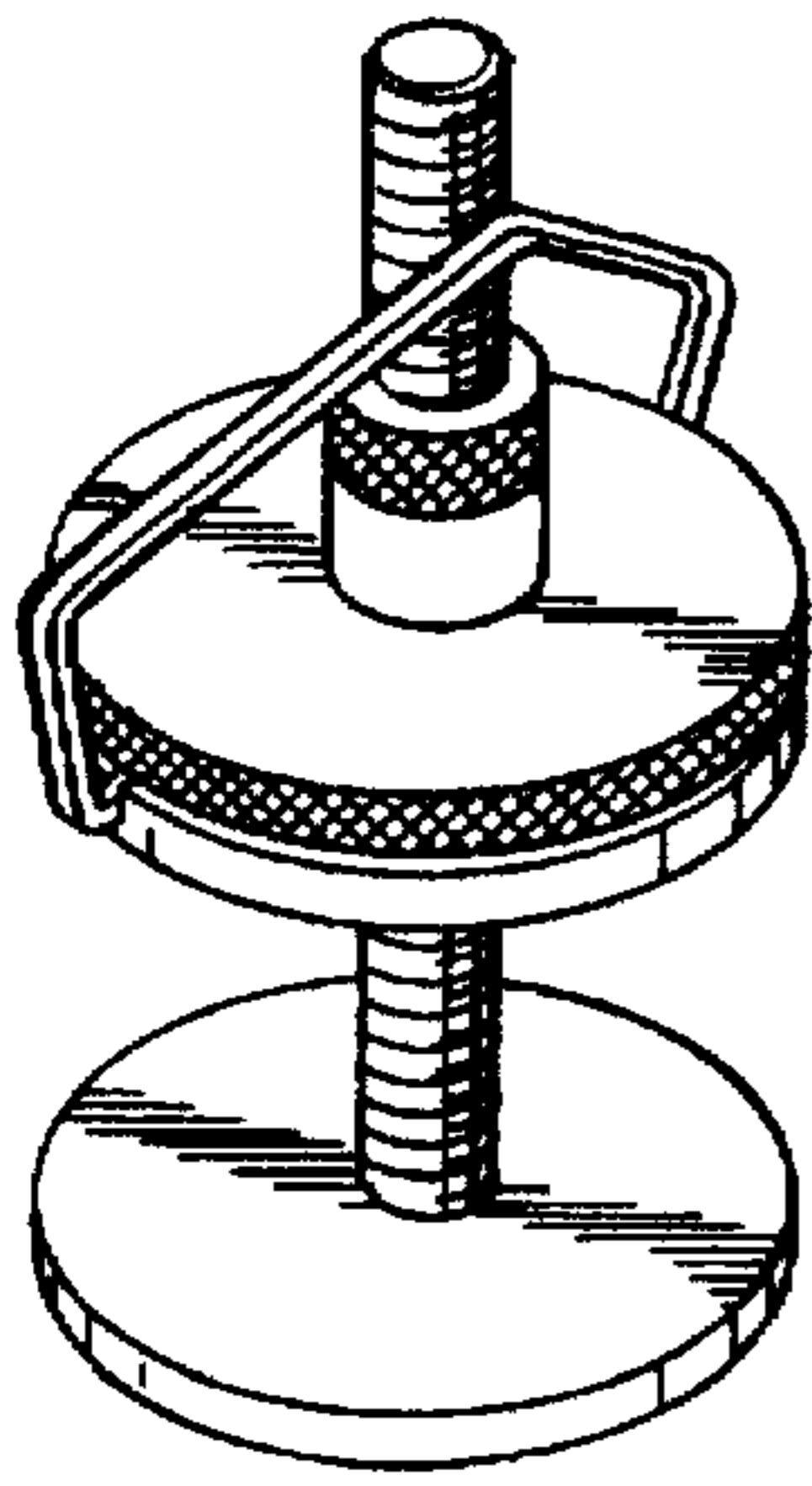


fig.4

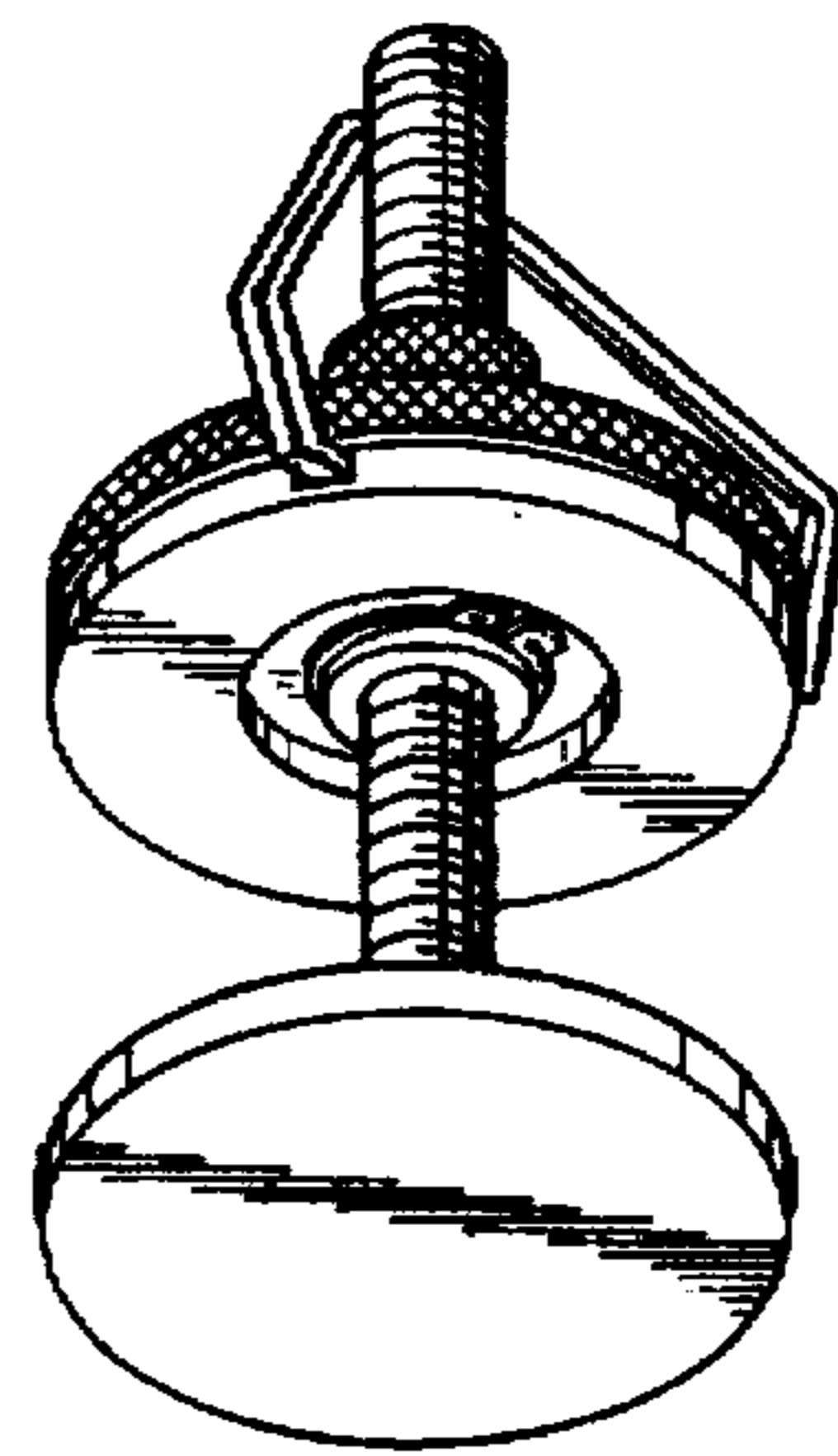


fig.5

fig.3

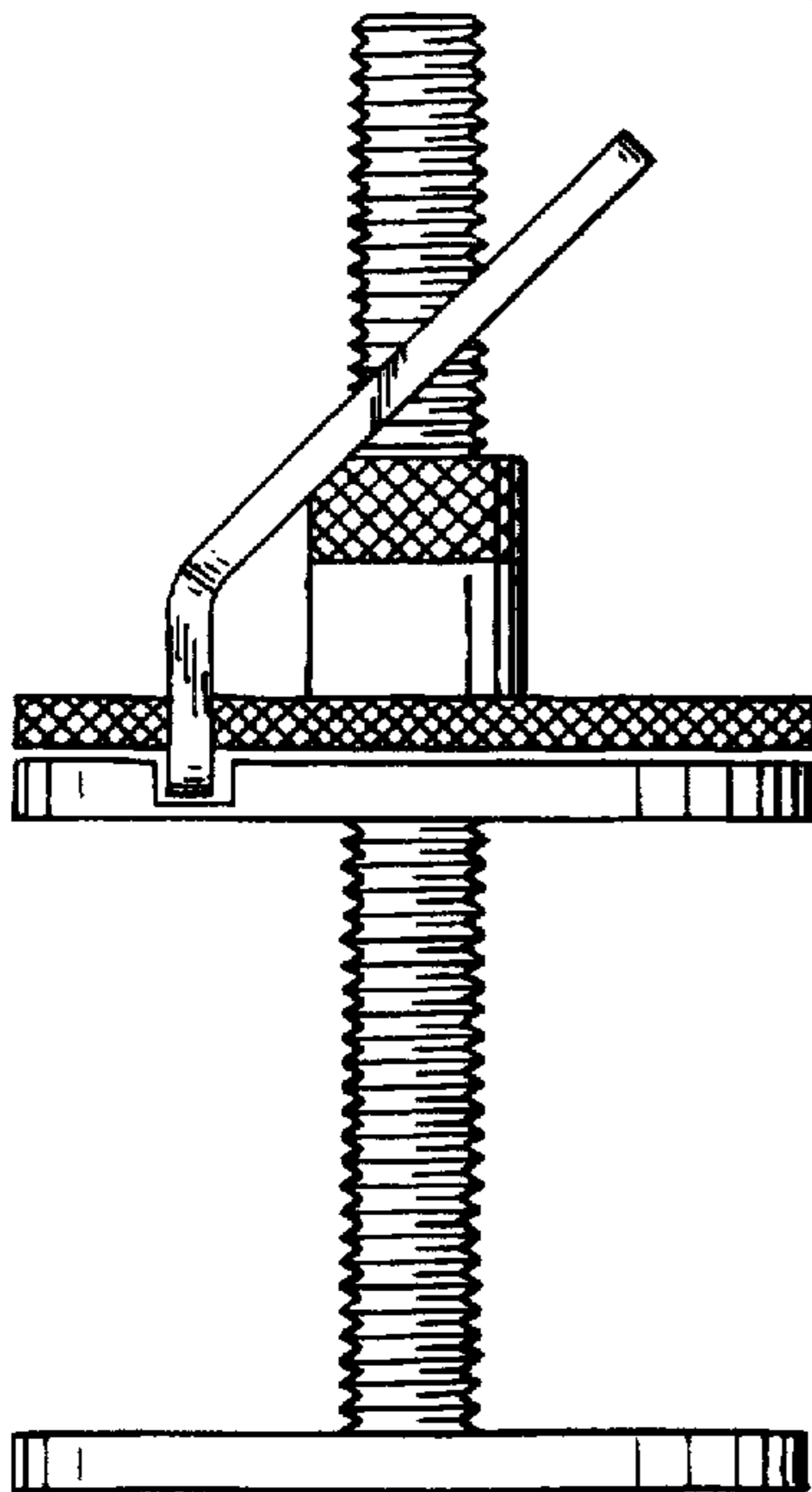
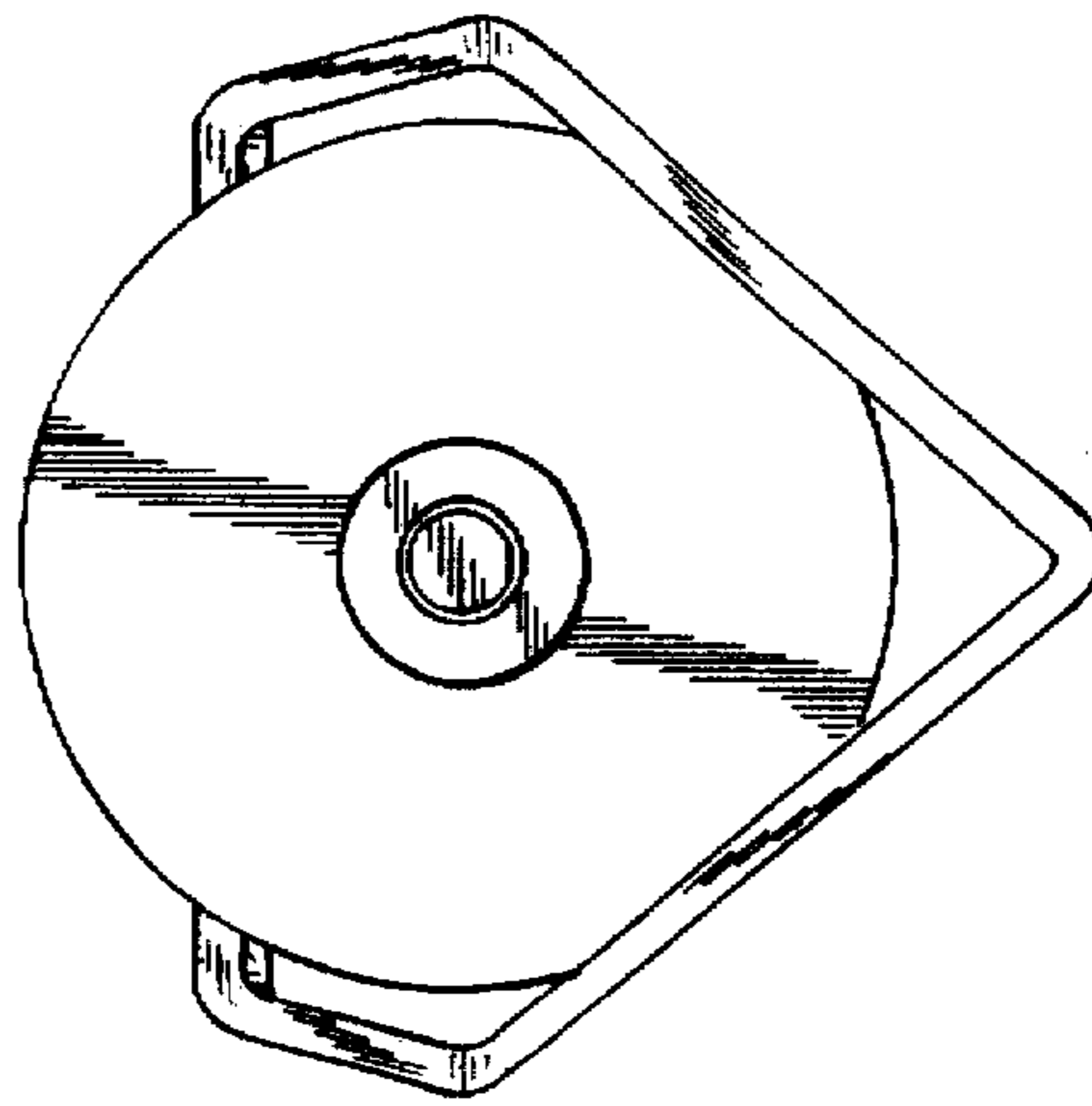


fig.1

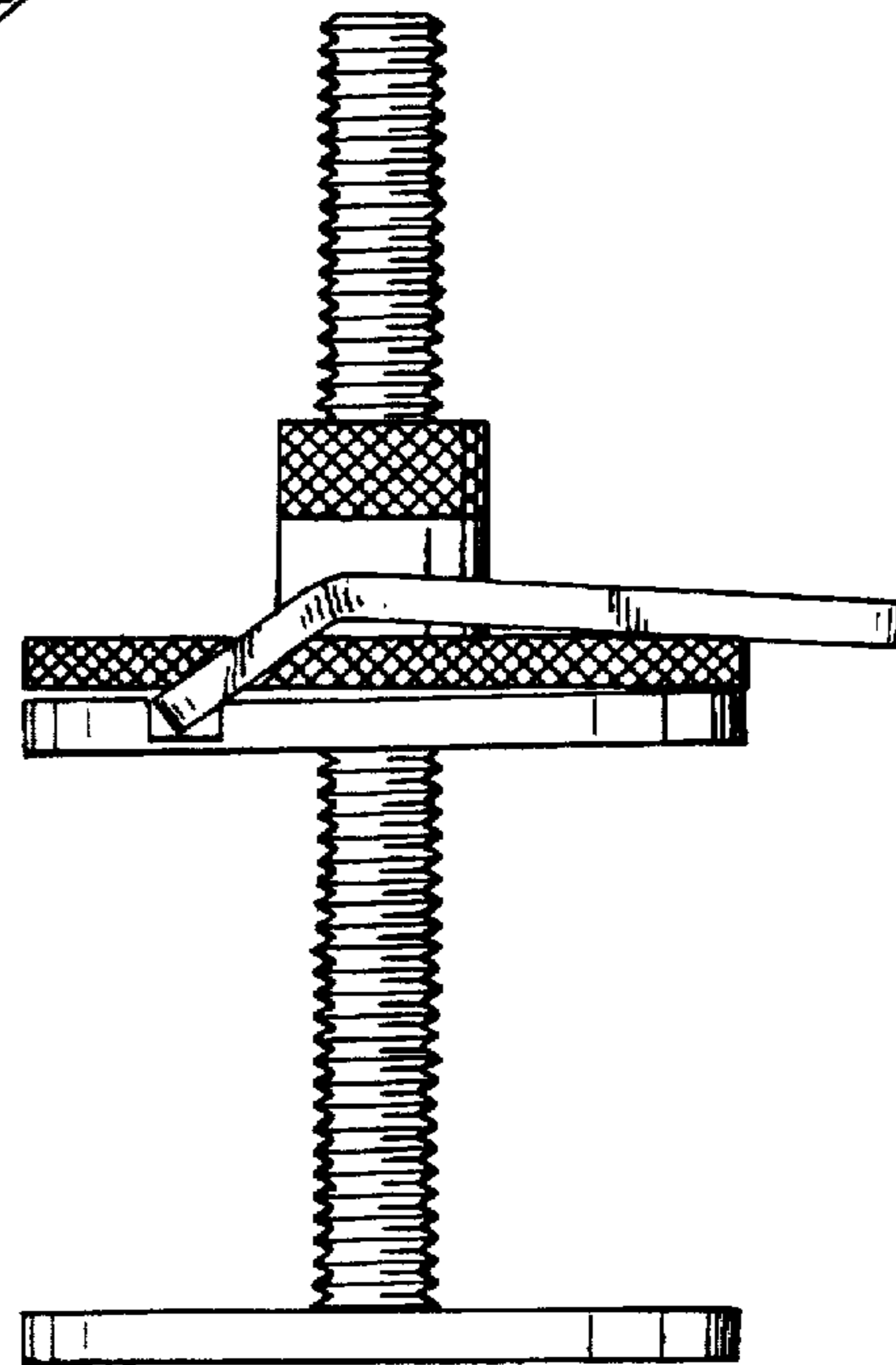


fig.2