



US00D390098S

United States Patent [19]

[11] Patent Number: **Des. 390,098**

Allen

[45] Date of Patent: ****Feb. 3, 1998**

[54] **ROPE TIGHTENER**

614,581	11/1898	Shown	24/68 B
2,597,351	5/1952	Mackenie	24/68 B
5,463,797	11/1995	Laug et al.	24/71.1

[76] Inventor: **Sherman Allen**, P.O. Box 1179, Bell Island, NF, Canada, A0A 4H0

Primary Examiner—B. J. Bullock
Attorney, Agent, or Firm—Harold H. Dutton, Jr.

[**] Term: **14 Years**

[57] **CLAIM**

[21] Appl. No.: **47,038**

The ornamental design for a rope tightener, as shown, and described.

[22] Filed: **Nov. 27, 1995**

DESCRIPTION

[51] LOC (6) Cl. **08-08**

[52] U.S. Cl. **D8/383; D8/359**

[58] **Field of Search** D8/383, 356, 358, D8/359; 242/405.1, 405.2, 405.3; 16/208; 24/129 A, 71.1, 68 B, 130, 131 R

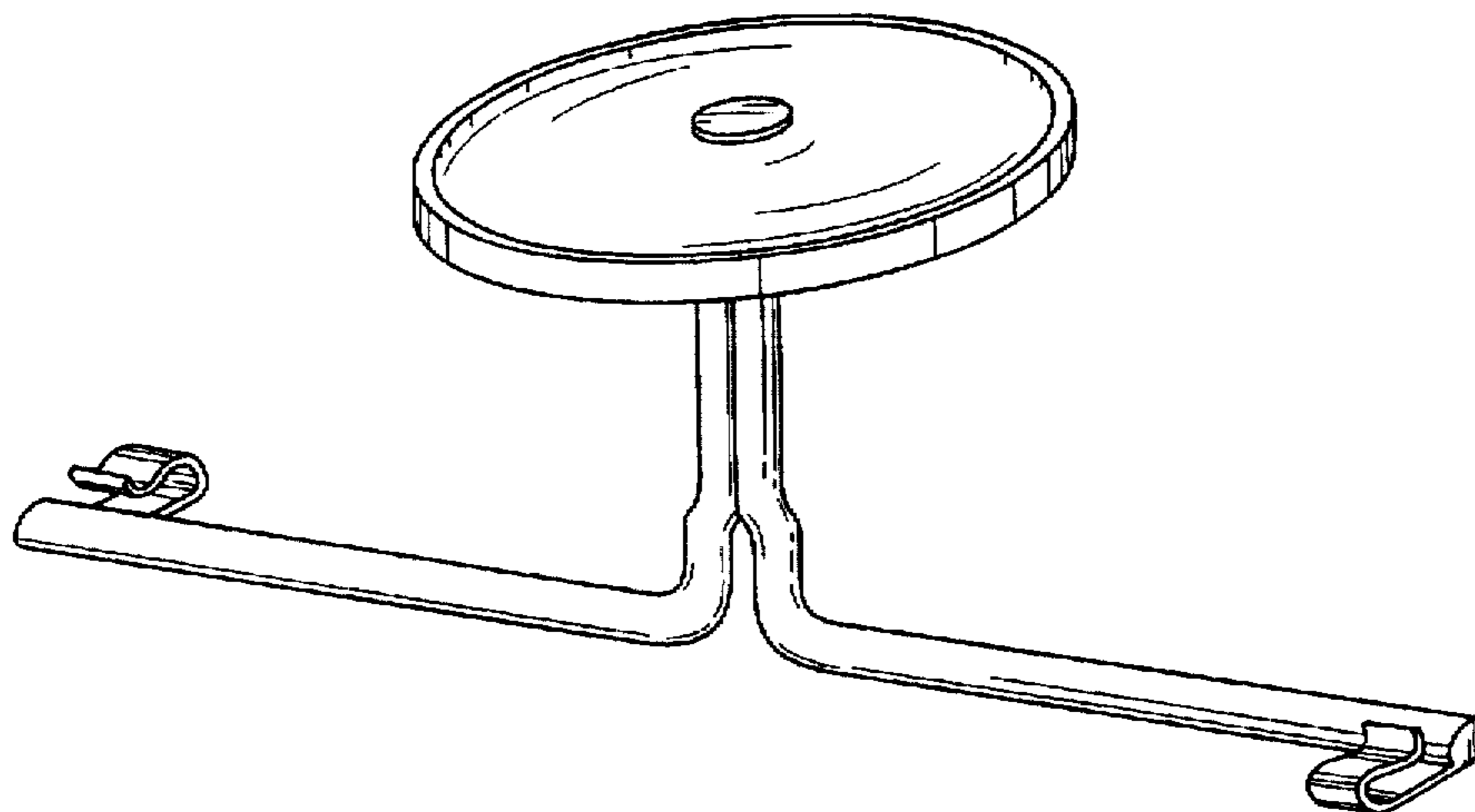
FIG. 1 is a perspective view of a rope tightener showing my new design;
FIG. 2 is a front view thereof;
FIG. 3 is a right side view thereof;
The left side is a mirror image of the right side;
FIG. 4 is a top view thereof; and,
FIG. 5 is a bottom view thereof.

[56] **References Cited**

U.S. PATENT DOCUMENTS

D. 197,344	1/1964	Jerauld et al.	D8/358
D. 205,533	8/1966	Grunewald	D8/359
D. 308,470	6/1990	Forbes	D8/359

1 Claim, 3 Drawing Sheets



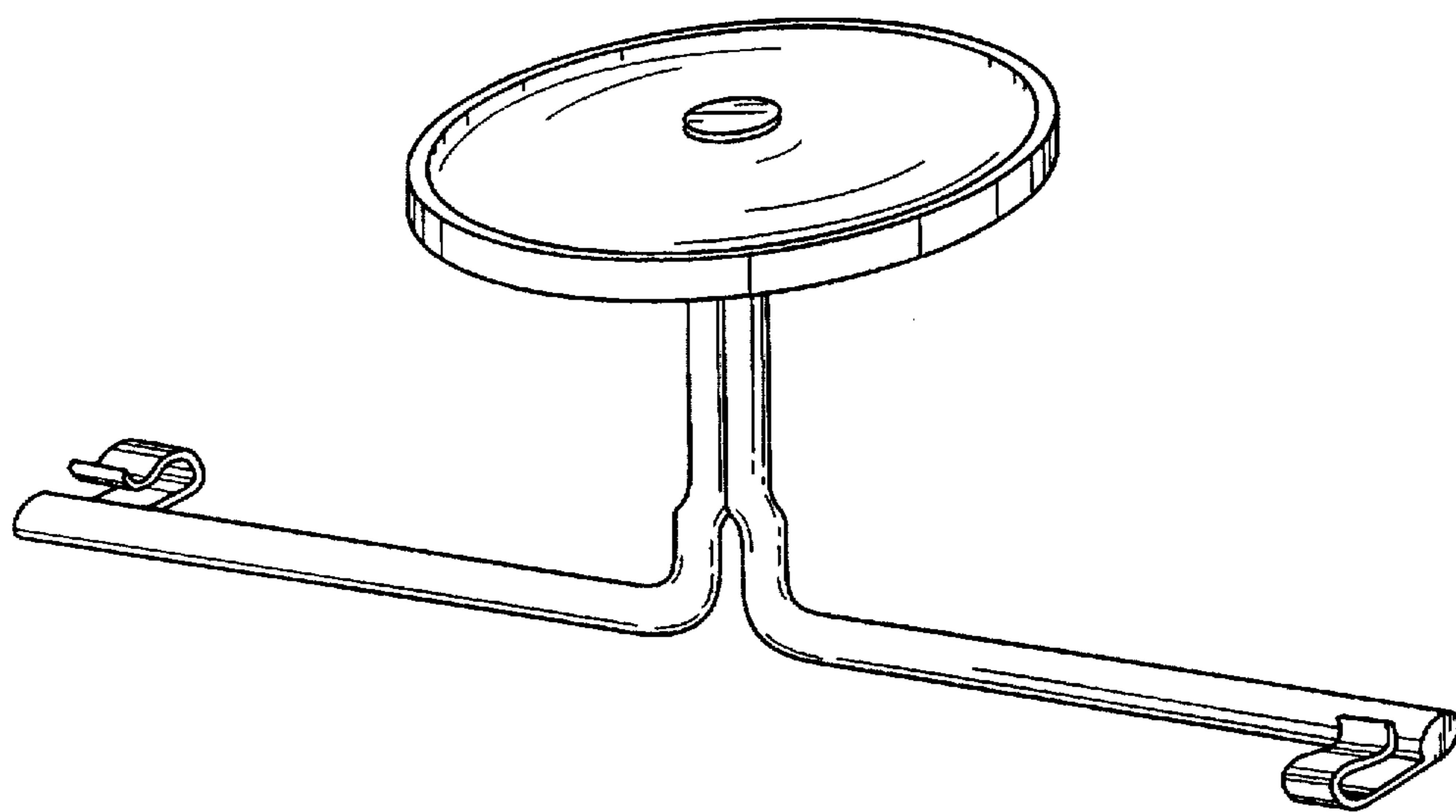


FIG. 1

FIG. 3

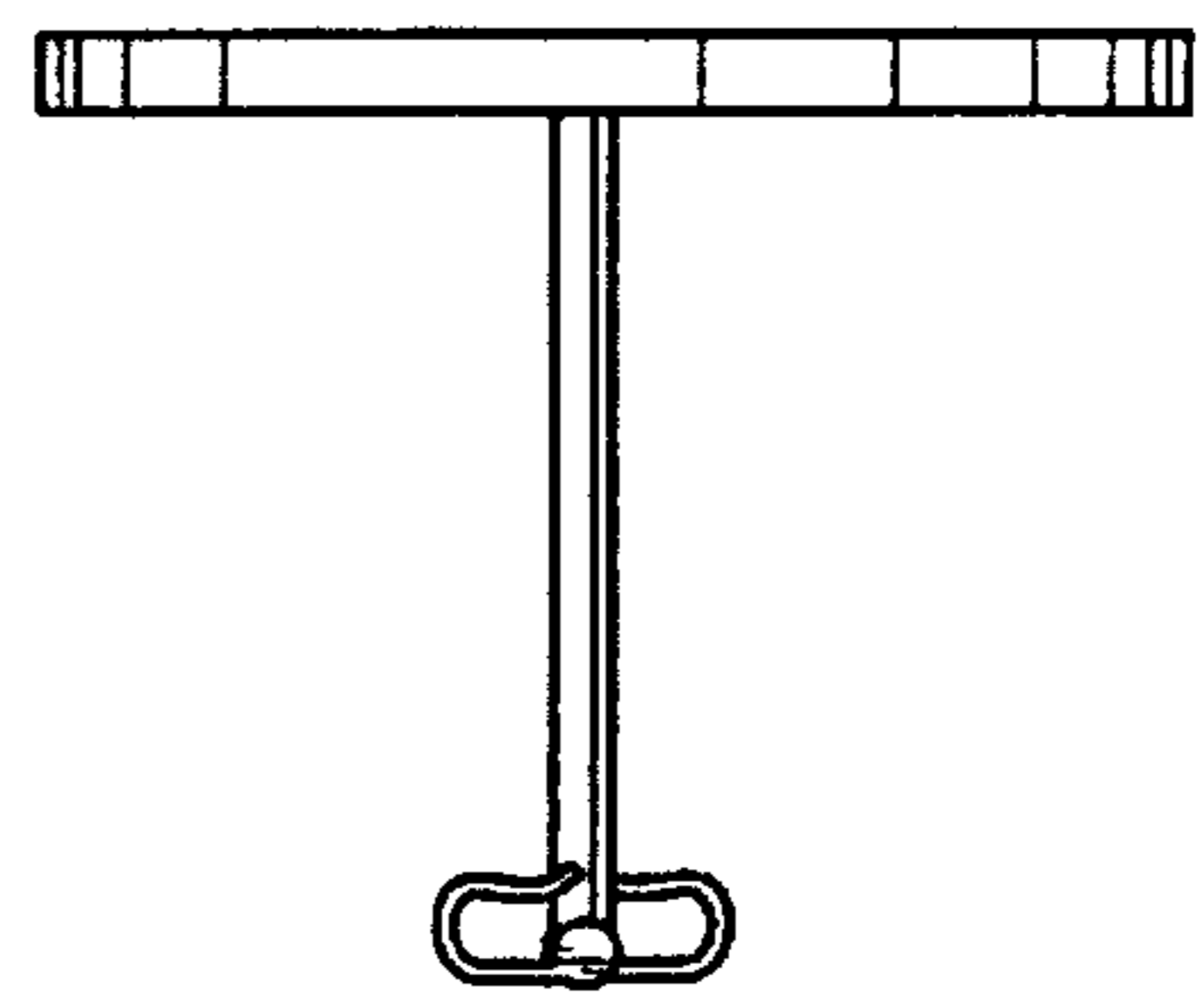
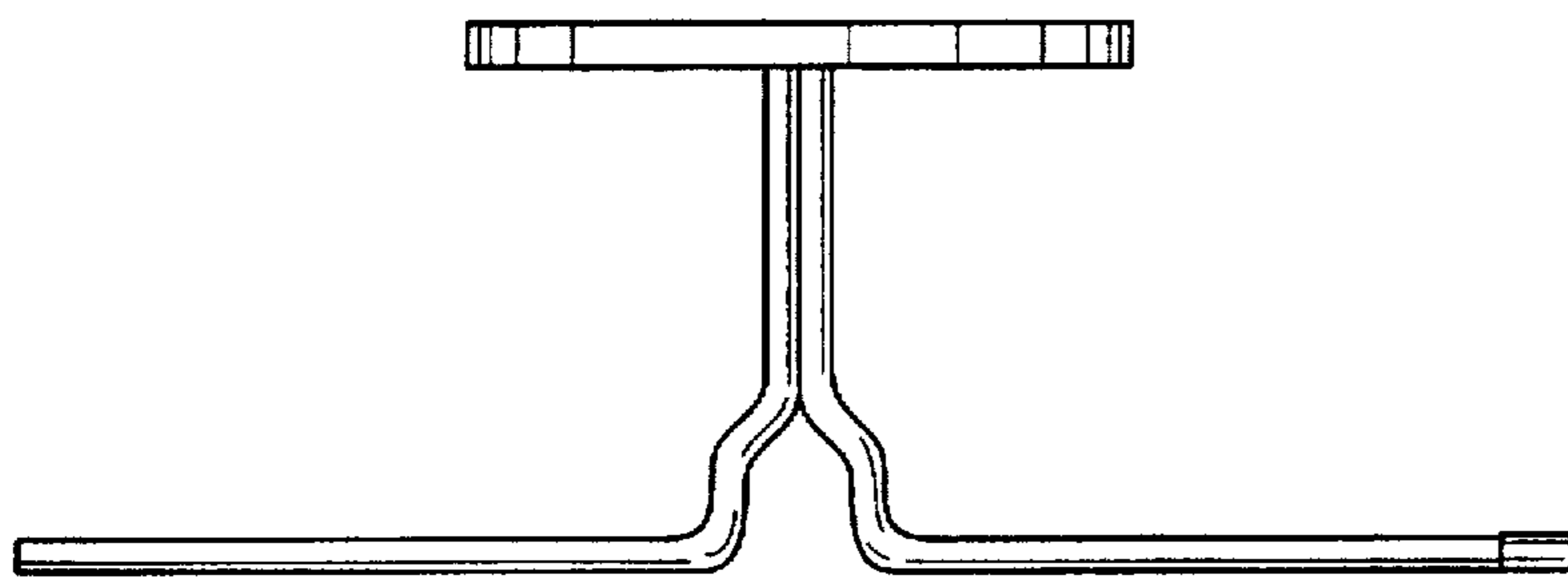


FIG. 2



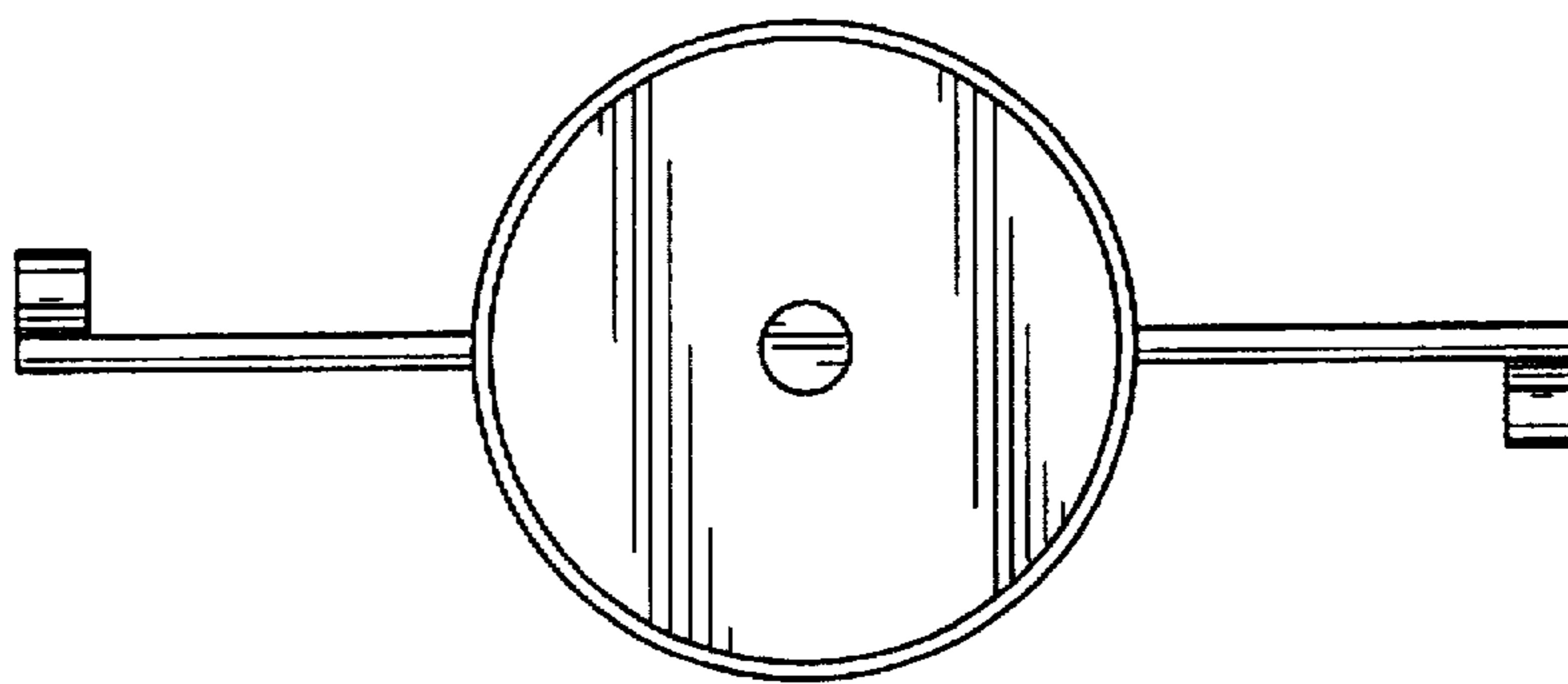


FIG. 4

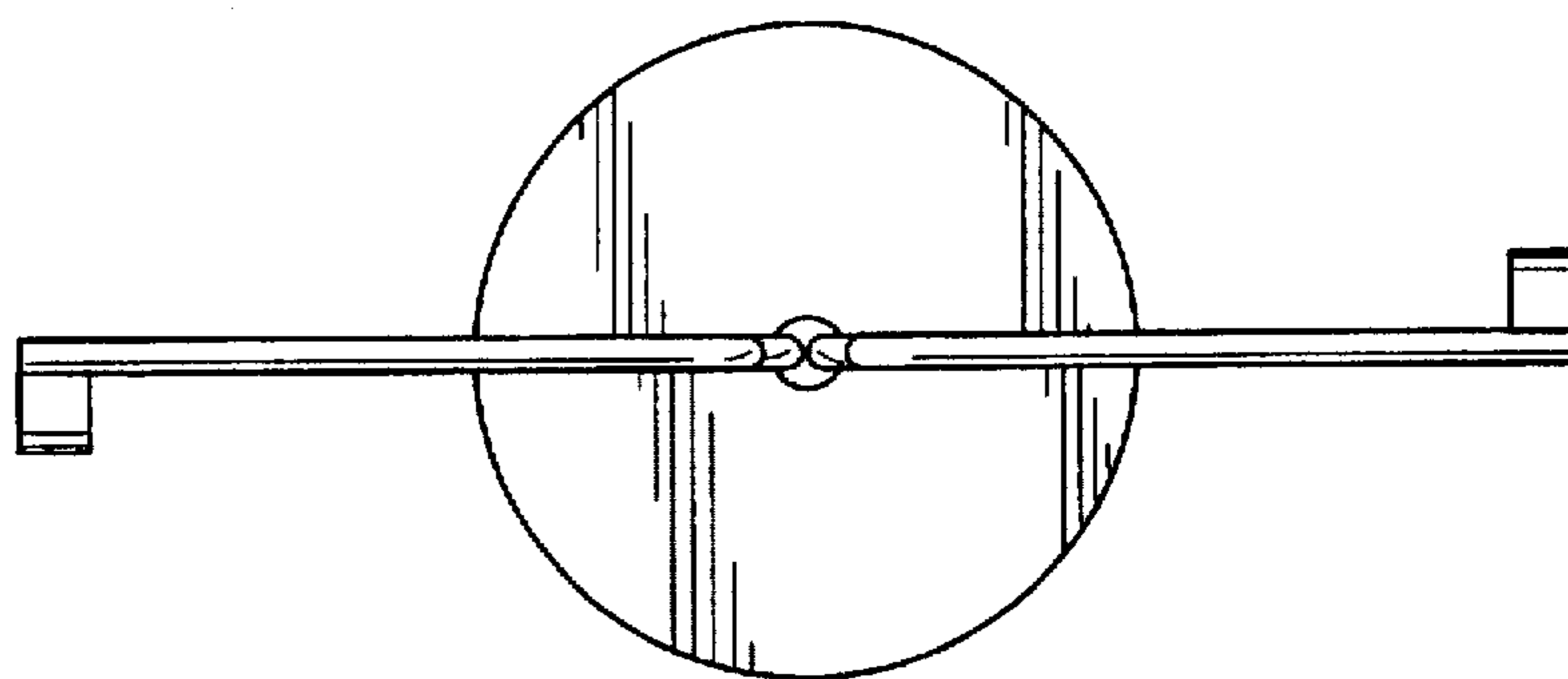


FIG. 5