

US00D390097S

United States Patent [19]

[11] Patent Number: **Des. 390,097**

Smiley et al.

[45] Date of Patent: ****Feb. 3, 1998**

[54] **WINDOW TREATMENT ACCESSORY**

[75] Inventors: **Charles F. Smiley**, Waunakee; **Cindy R. Jaggi**, Verona; **Karen Retelle**, Madison, all of Wis.

[73] Assignee: **Springs Window Fashions Division, Inc.**, Middleton, Wis.

[**] Term: **14 Years**

[21] Appl. No.: **69,869**

[22] Filed: **May 5, 1997**

[51] LOC (6) CL **08-05**

[52] U.S. Cl. **D8/378**

[58] Field of Search **D8/378; 428/28; D26/154**

[56] **References Cited**

U.S. PATENT DOCUMENTS

- D. 11,708 3/1880 Berbecker D8/378
- D. 73,178 8/1927 Hofmann D8/378
- D. 340,404 10/1993 Prezner D8/378

OTHER PUBLICATIONS

Yorkville Catalog, p. 32, brass neck, item No. 13548, located at lower right corner of page, Apr. 1988.
 Yorkville Catalog, p. 64, finial—circled in lower right corner of page, Apr. 1988.

Sears Catalog, p. 1365, finial, item C in middle of page, Apr. 1974.

Montgomery Ward Catalog, p. 1089, finial—item B circled in middle of page, Apr. 1976.

Primary Examiner—Holly Baynham
Attorney, Agent, or Firm—Lerner, David, Littenberg, Krumholz & Mentlik

[57] **CLAIM**

The ornamental design for a window treatment accessory, as shown and described in the drawings.

DESCRIPTION

FIG. 1 is an environmental perspective view of the claimed window treatment accessory with the broken line showing of fragmented curtain pole, curtain and holder being for illustrative purposes only and forms no part of the claimed design;

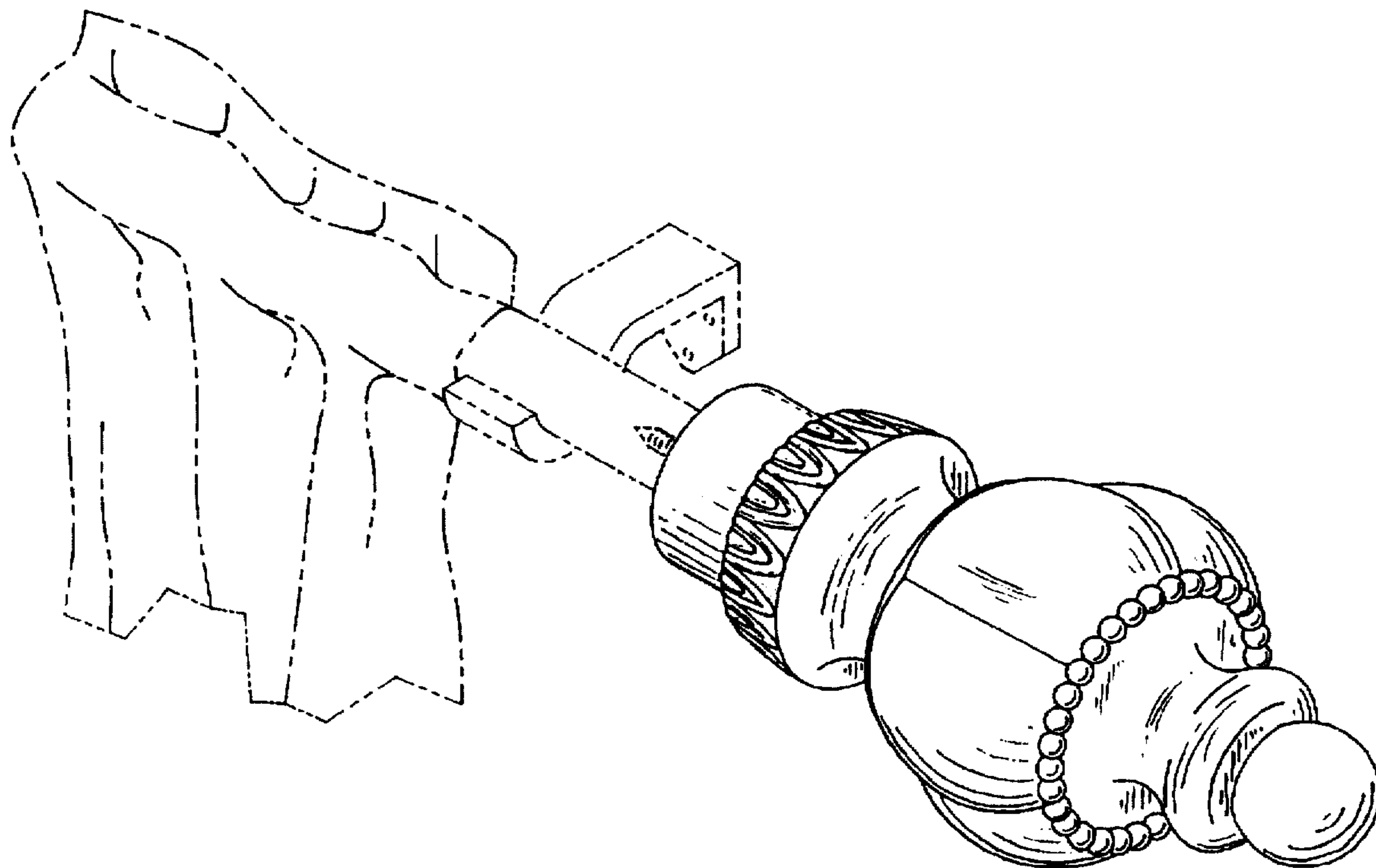
FIG. 2 is a top plan view thereof the bottom plan view being a mirror image of the top plan view;

FIG. 3 is a front view thereof the rear view being a mirror image of the front view;

FIG. 4 is a right side view thereof; and,

FIG. 5 is a left side view thereof.

1 Claim, 2 Drawing Sheets



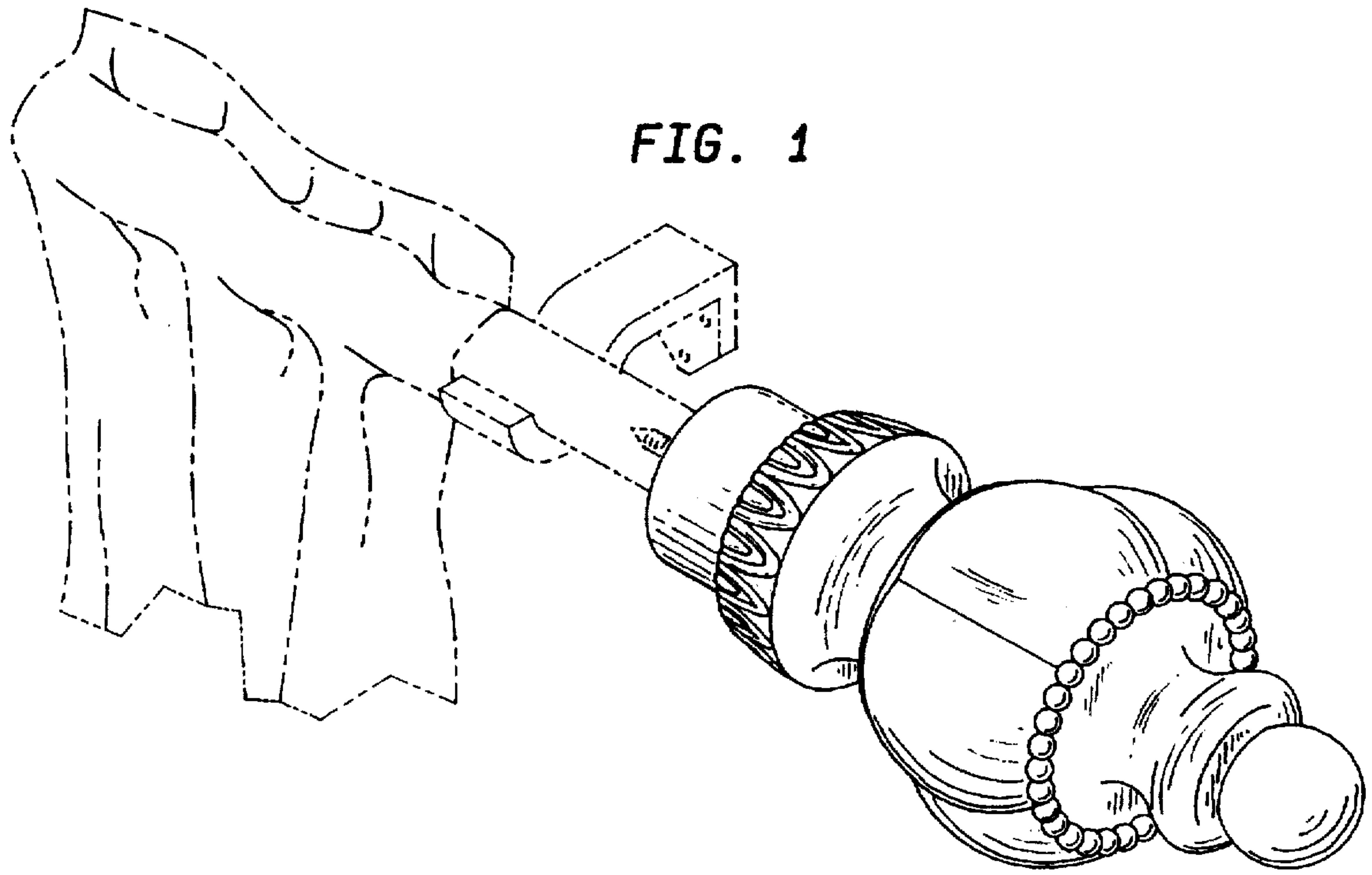


FIG. 2

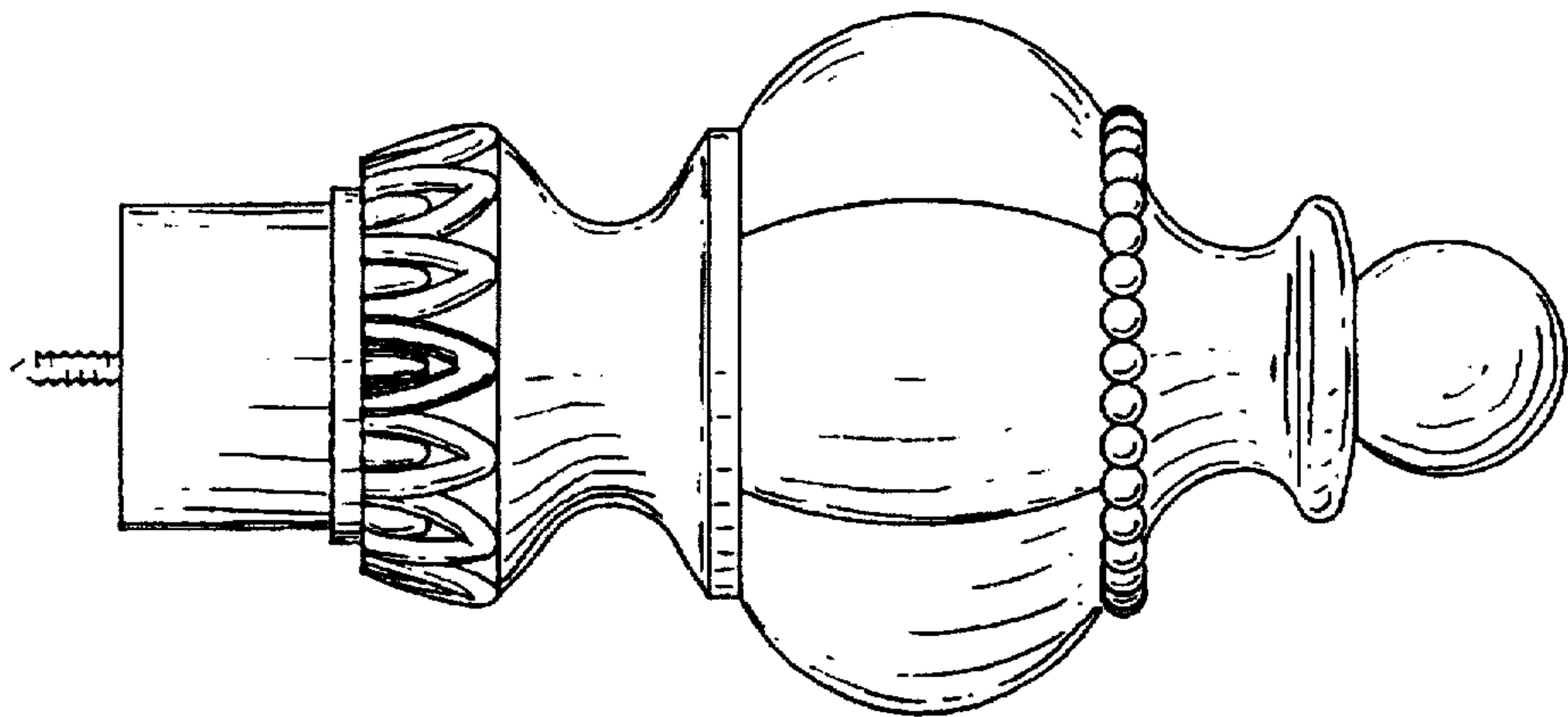


FIG. 3

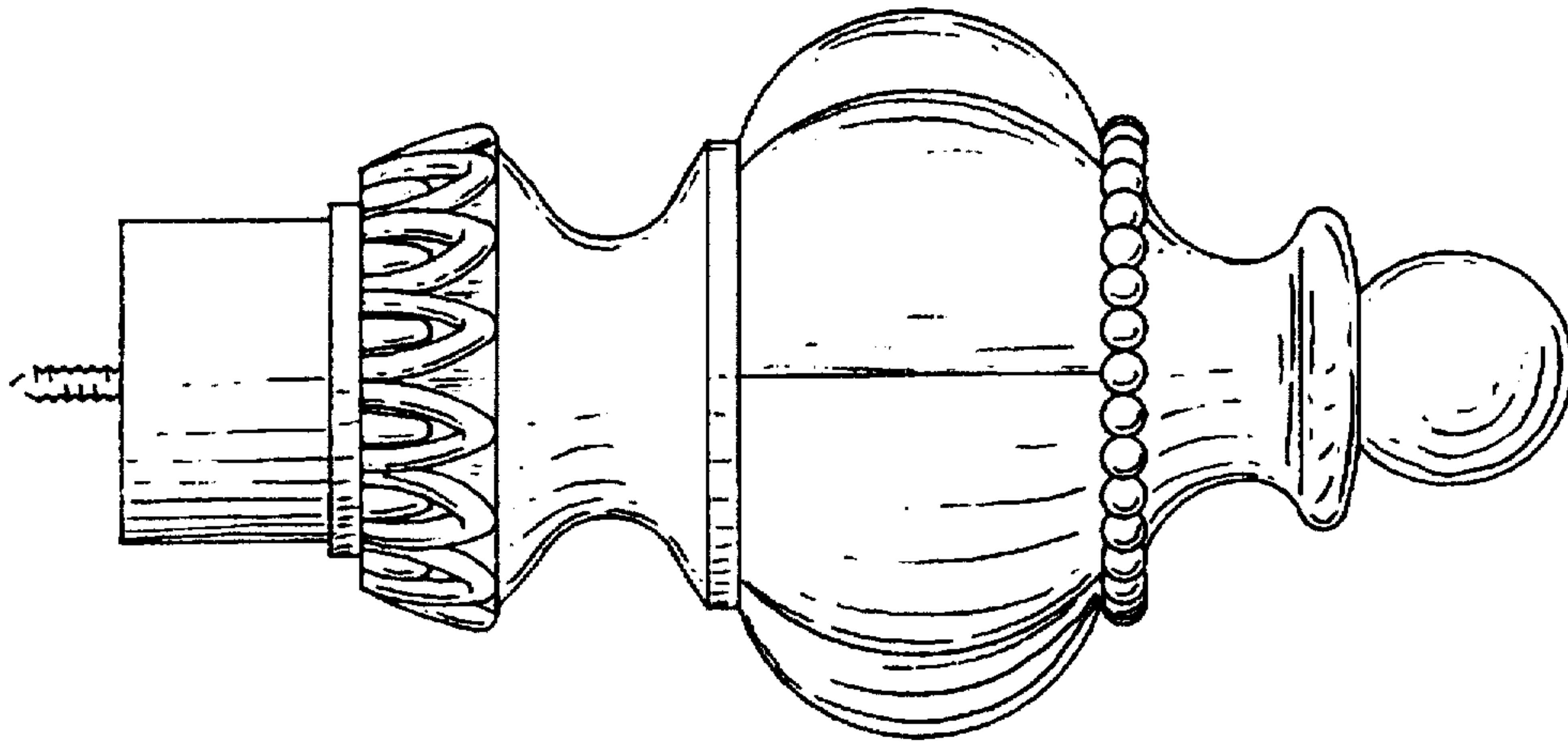


FIG. 5

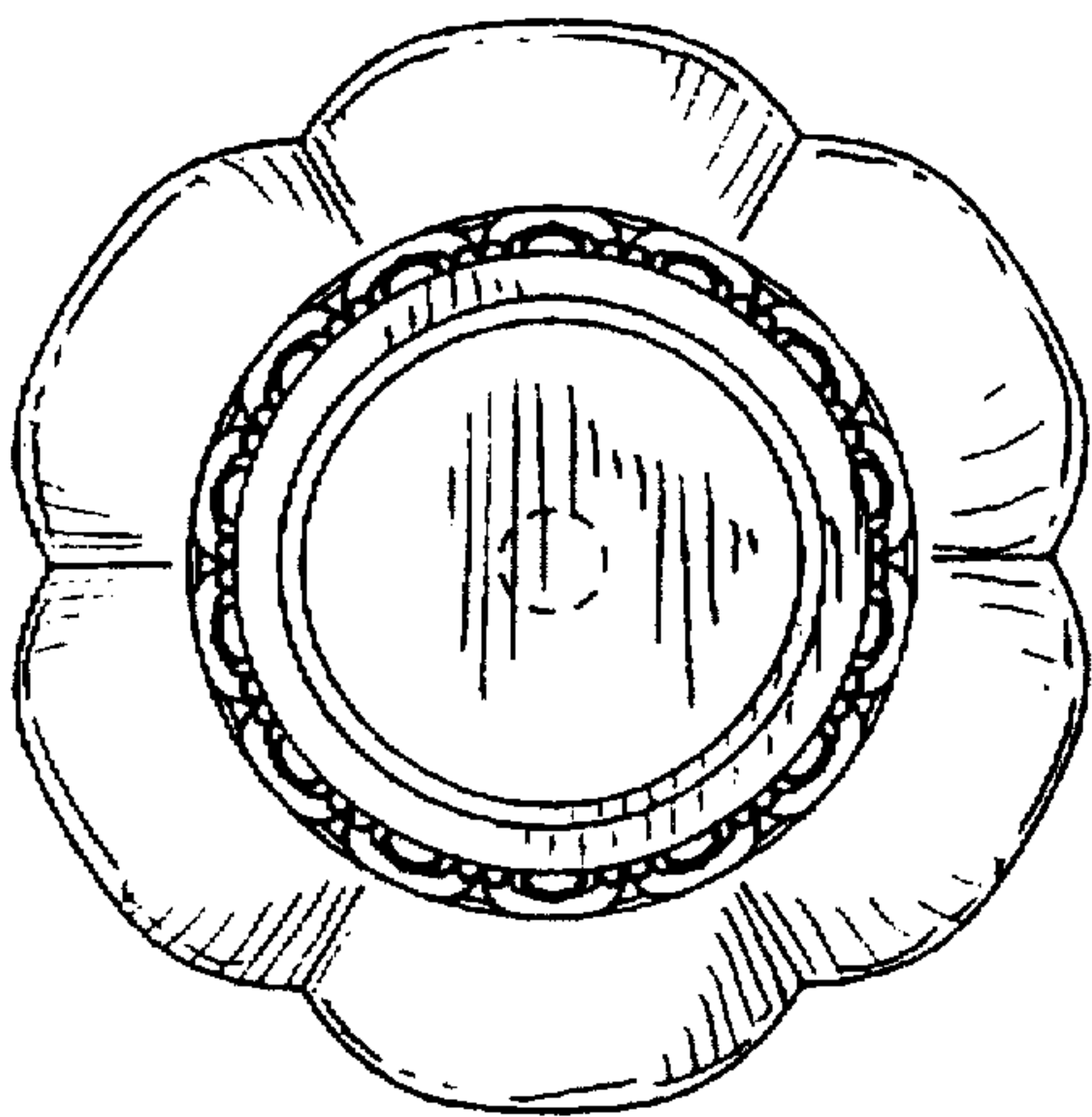


FIG. 4

