



US00D390095S

United States Patent [19]

[11] Patent Number: **Des. 390,095**

Spear et al.

[45] Date of Patent: ****Feb. 3, 1998**

[54] HOSE REEL SUPPORT

1,339,785 5/1920 Perrine 137/355.27
4,058,273 11/1977 Buell 242/129 X

[75] Inventors: **Kenneth J. Spear**, Vienna; **Rudy F. Planthaber**, Mineral Wells; **Eric D. Bennett**, Parkersburg, all of W. Va.; **Steven F. Brooker**, Marietta, Ohio

Primary Examiner—Alan P. Douglas
Assistant Examiner—Lavone D. Tabor
Attorney, Agent, or Firm—Cushman Darby & Cushman IP Group of Pillsbury Madison & Sutro LLP

[73] Assignee: **O. Ames Co.**, Parkersburg, W. Va.

[57] CLAIM

[**] Term: **14 Years**

The ornamental design for a hose reel support, as shown and described.

[21] Appl. No.: **63,526**

DESCRIPTION

[22] Filed: **Dec. 10, 1996**

[51] LOC (6) Cl. **08-05**

[52] U.S. Cl. **D8/359**

[58] Field of Search D8/356, 358, 359;
D34/24, 26; 242/129, 129.5, 129.51, 129.6,
395; 137/355.26, 355.27; 191/12.2 R, 12.4

FIG. 1 is a perspective view of a hose reel support embodying our new design;

FIG. 2 is a right hand side view thereof;

FIG. 3 is a left hand side view thereof;

FIG. 4 is a rear elevational view thereof;

FIG. 5 is a front elevational view thereof;

FIG. 6 is a top plan view thereof; and,

FIG. 7 is a bottom plan view thereof.

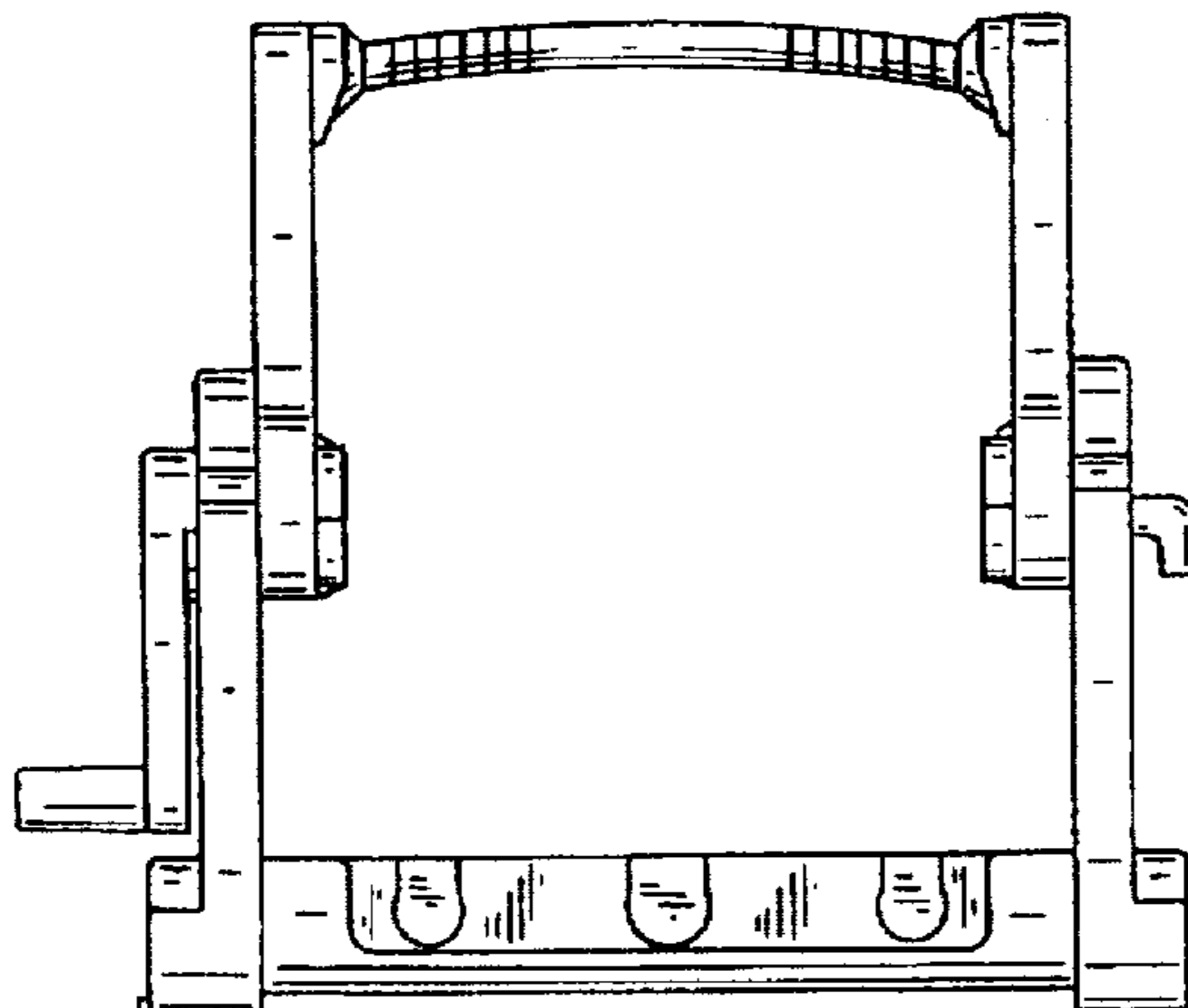
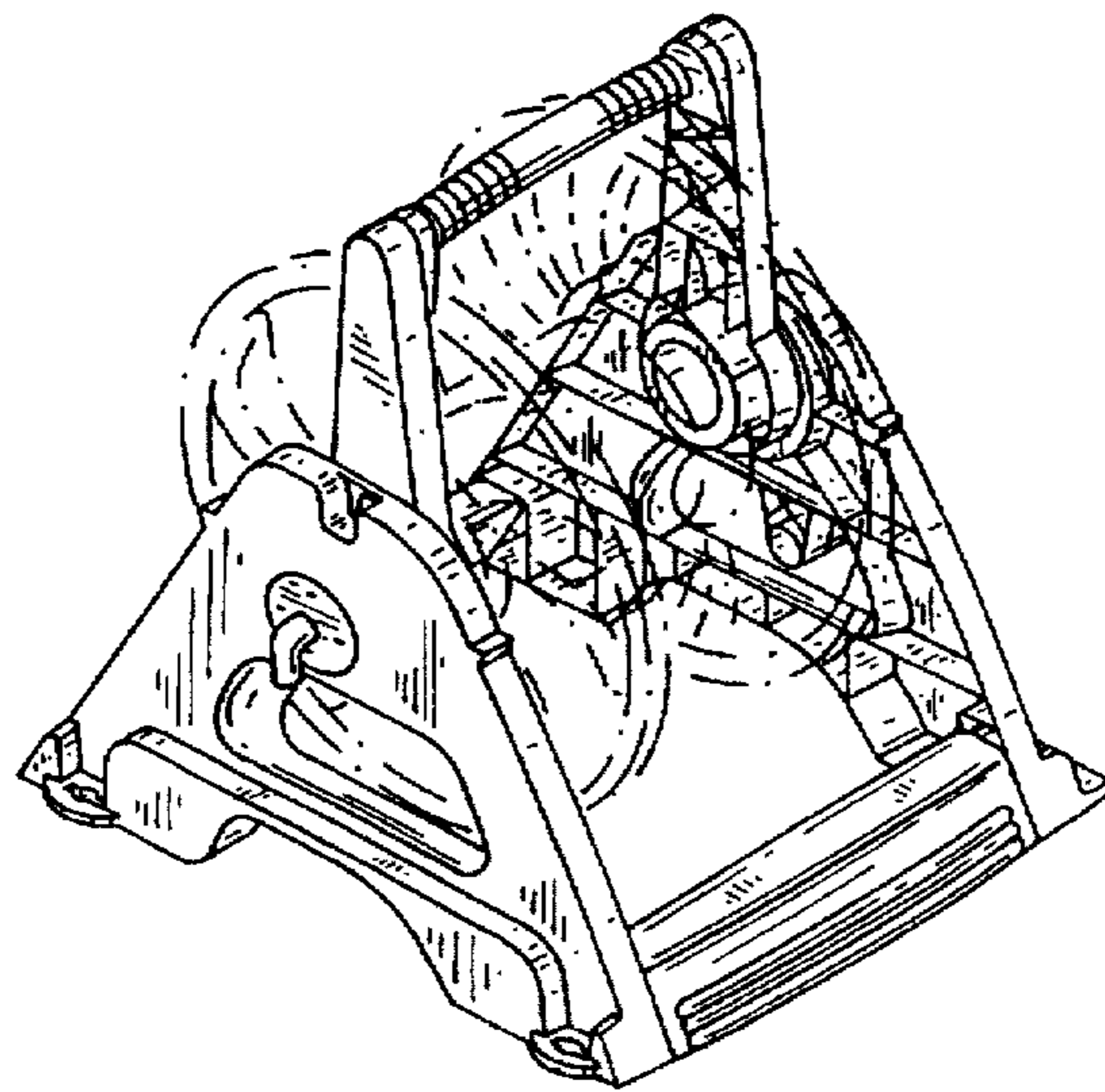
The broken line showing of a hose reel in FIG. 1 is for illustrative purposes only and forms no part of the claimed design.

[56] References Cited

U.S. PATENT DOCUMENTS

D. 273,559 4/1984 Butler D8/359
D. 334,882 4/1993 Bunch D8/359
D. 365,012 12/1995 Sather D8/359

1 Claim, 3 Drawing Sheets



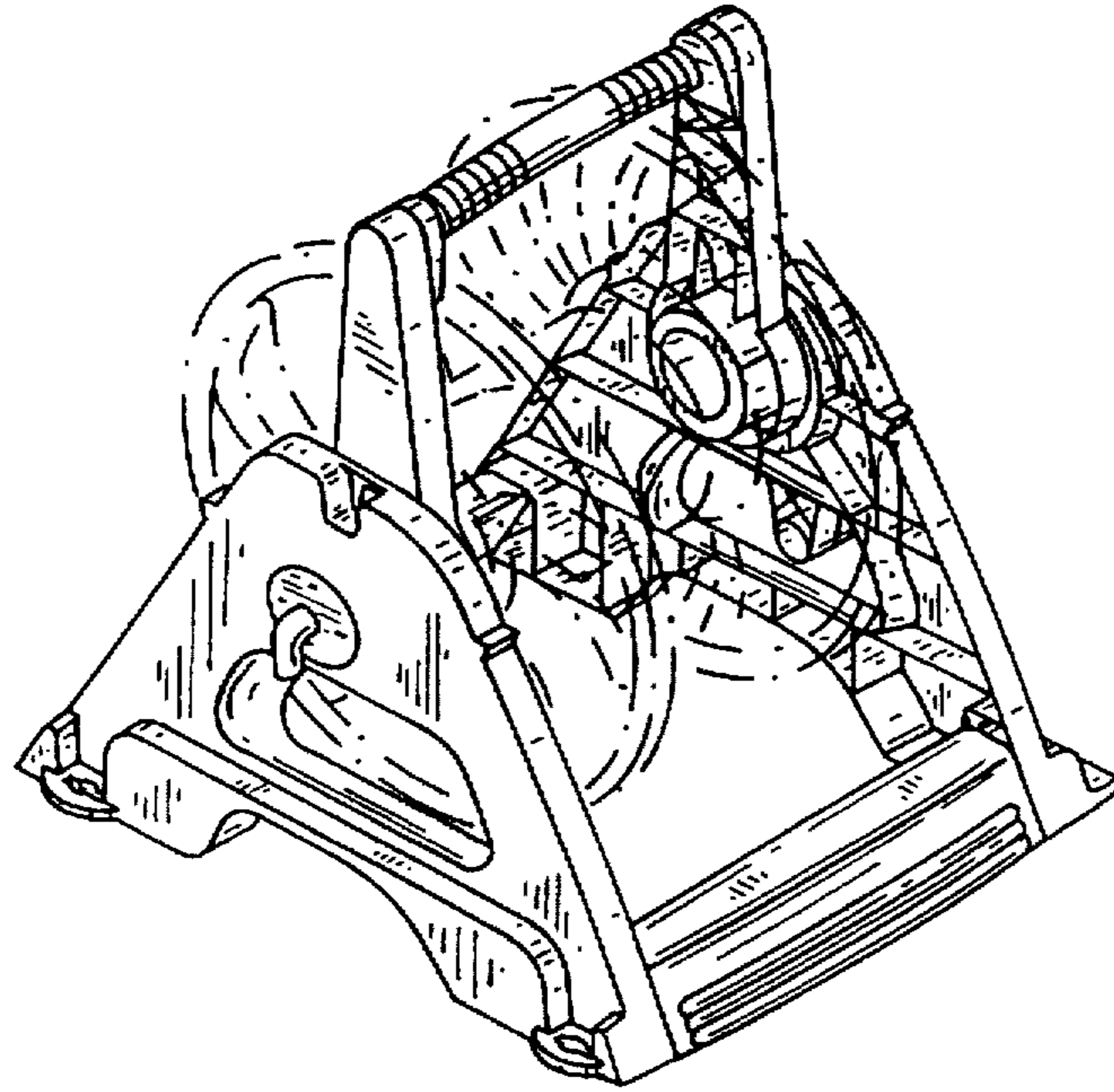


FIG. 1

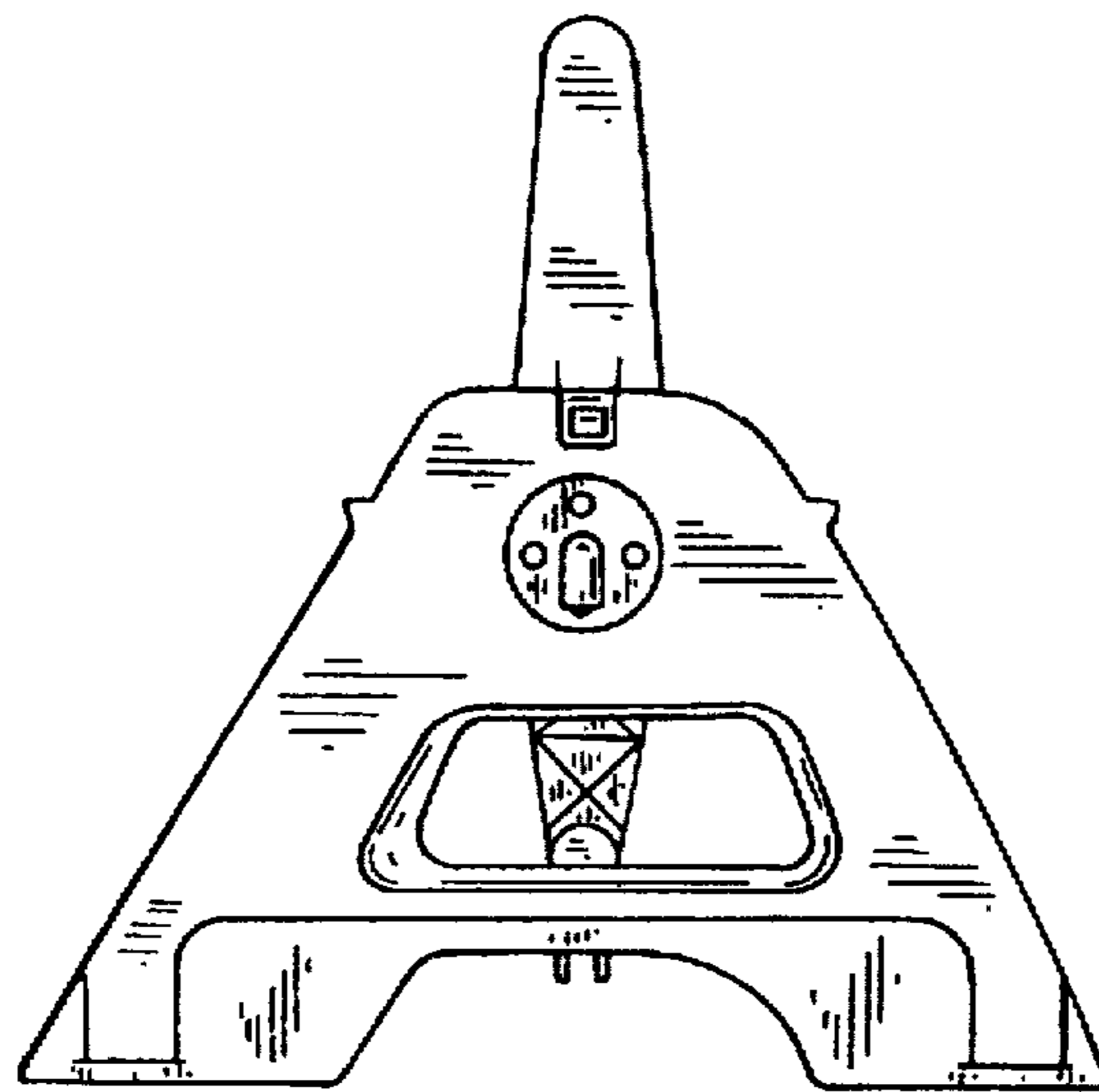


FIG. 2

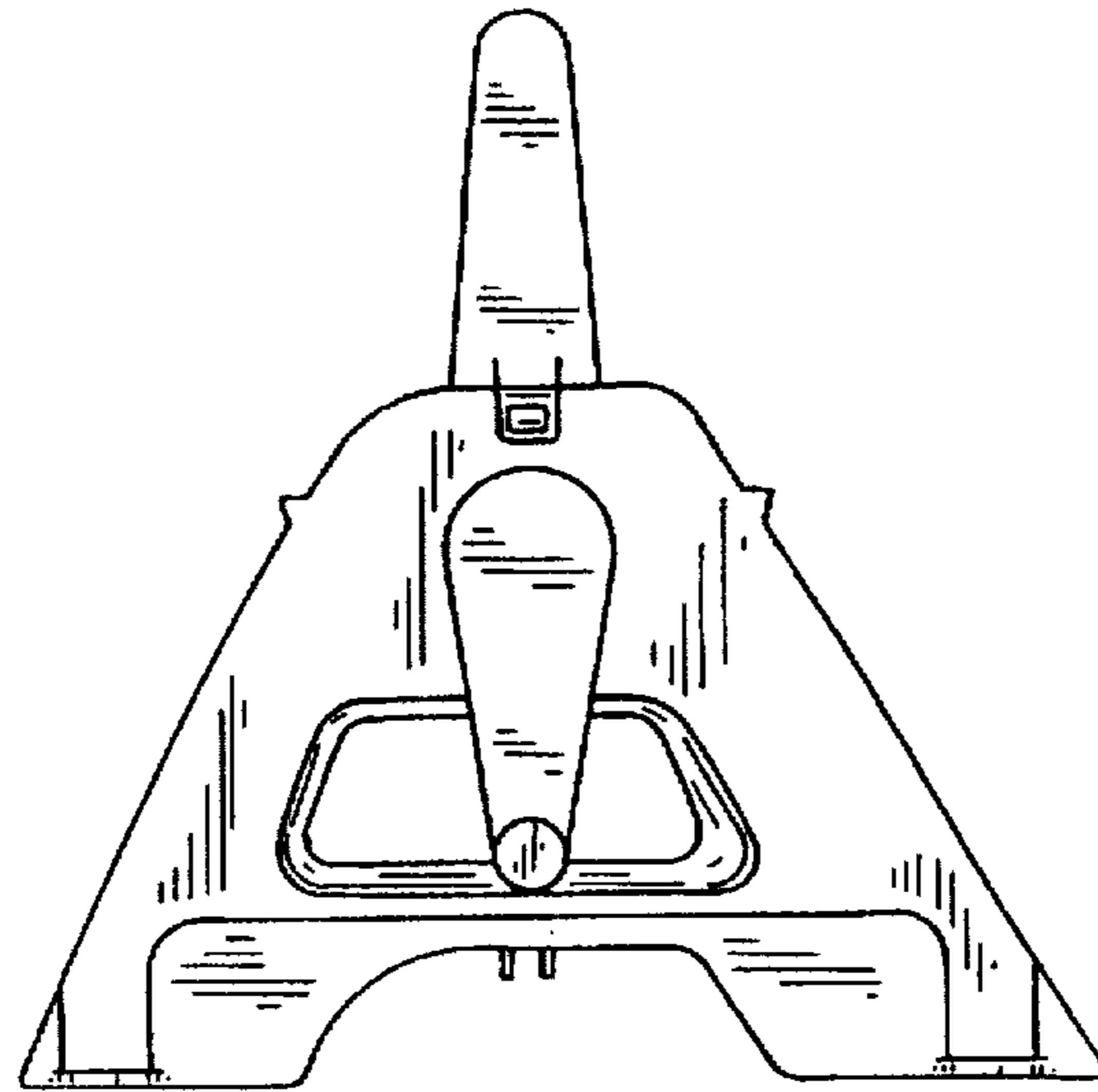


FIG. 3

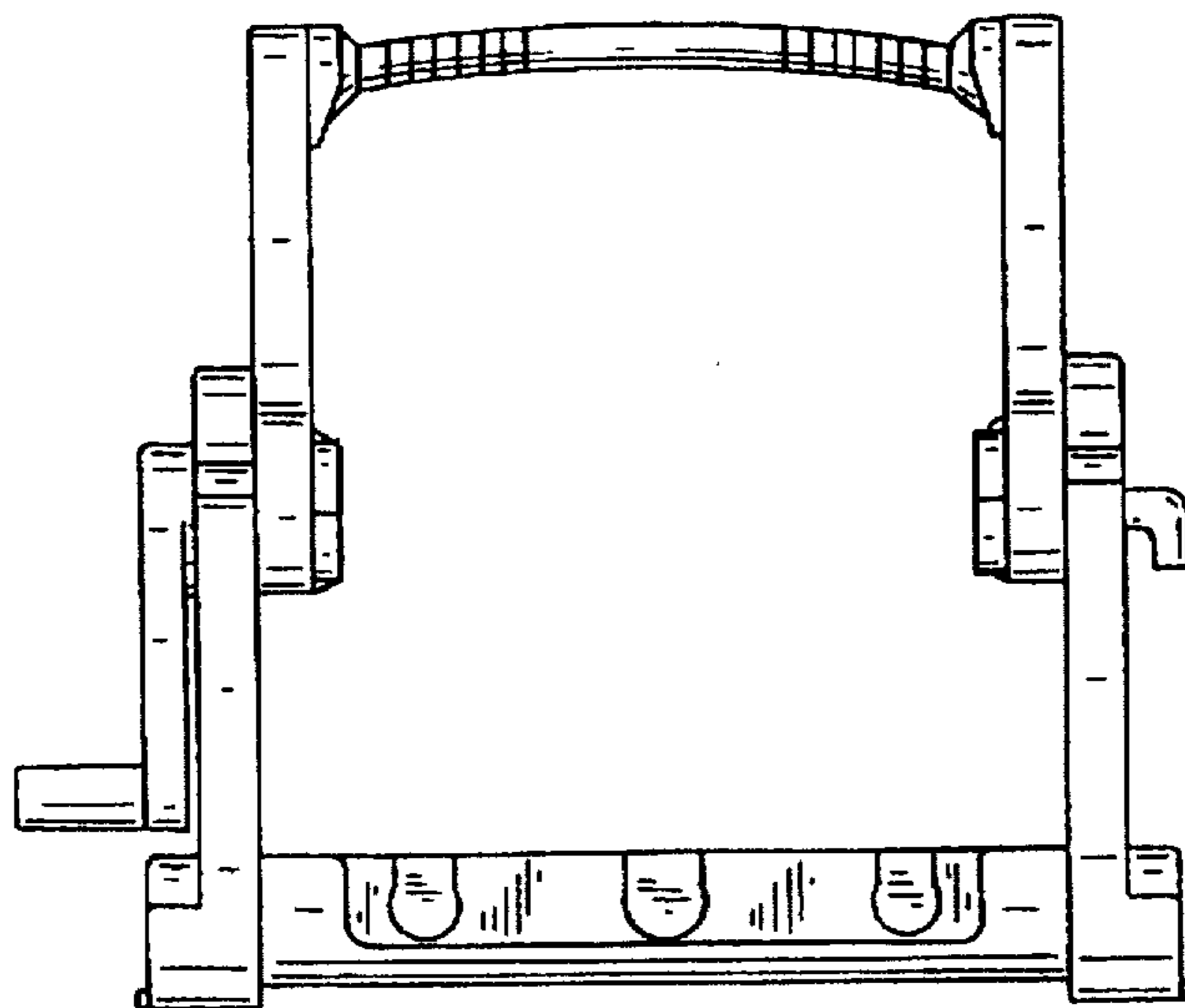


FIG. 4

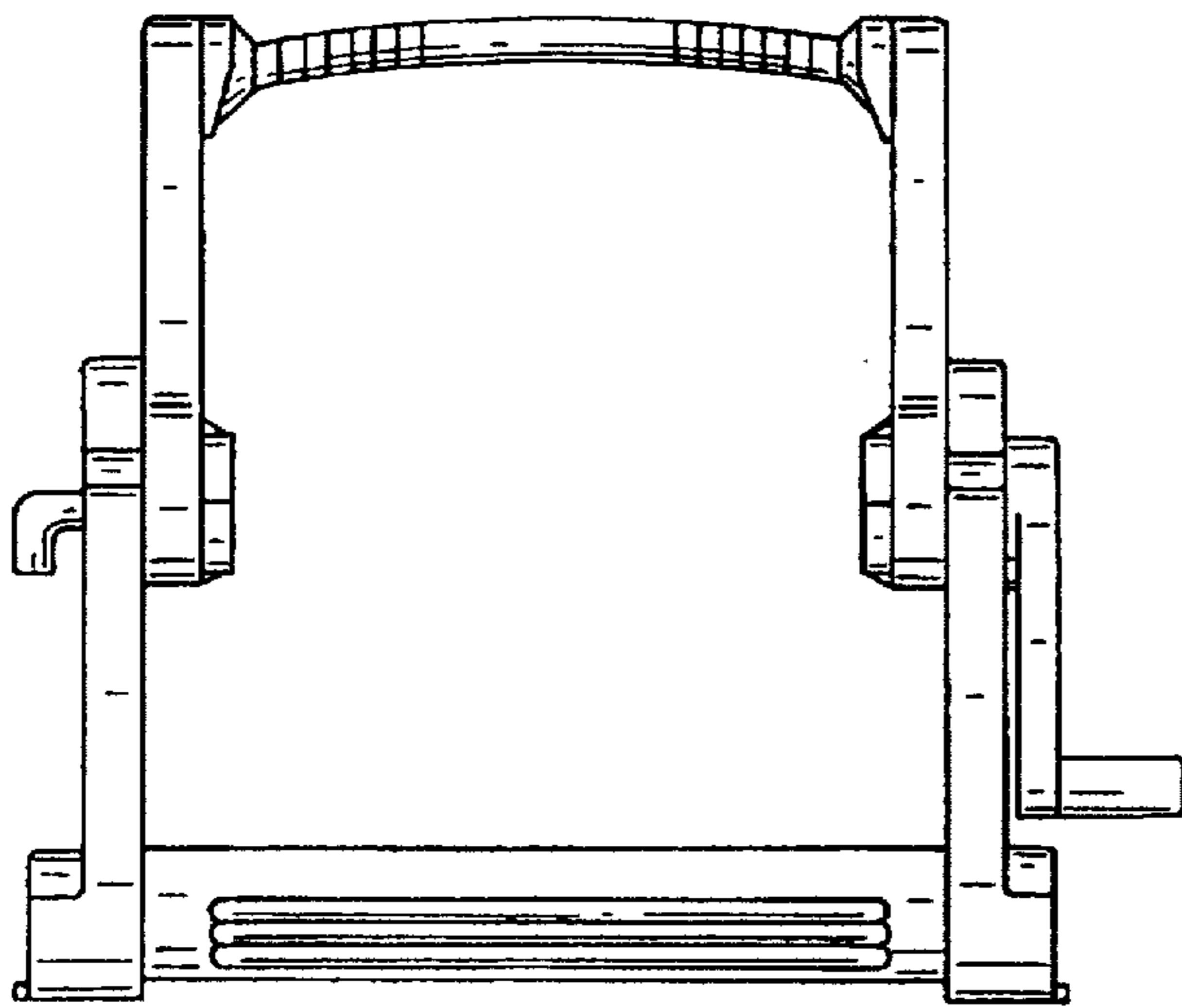


FIG. 5

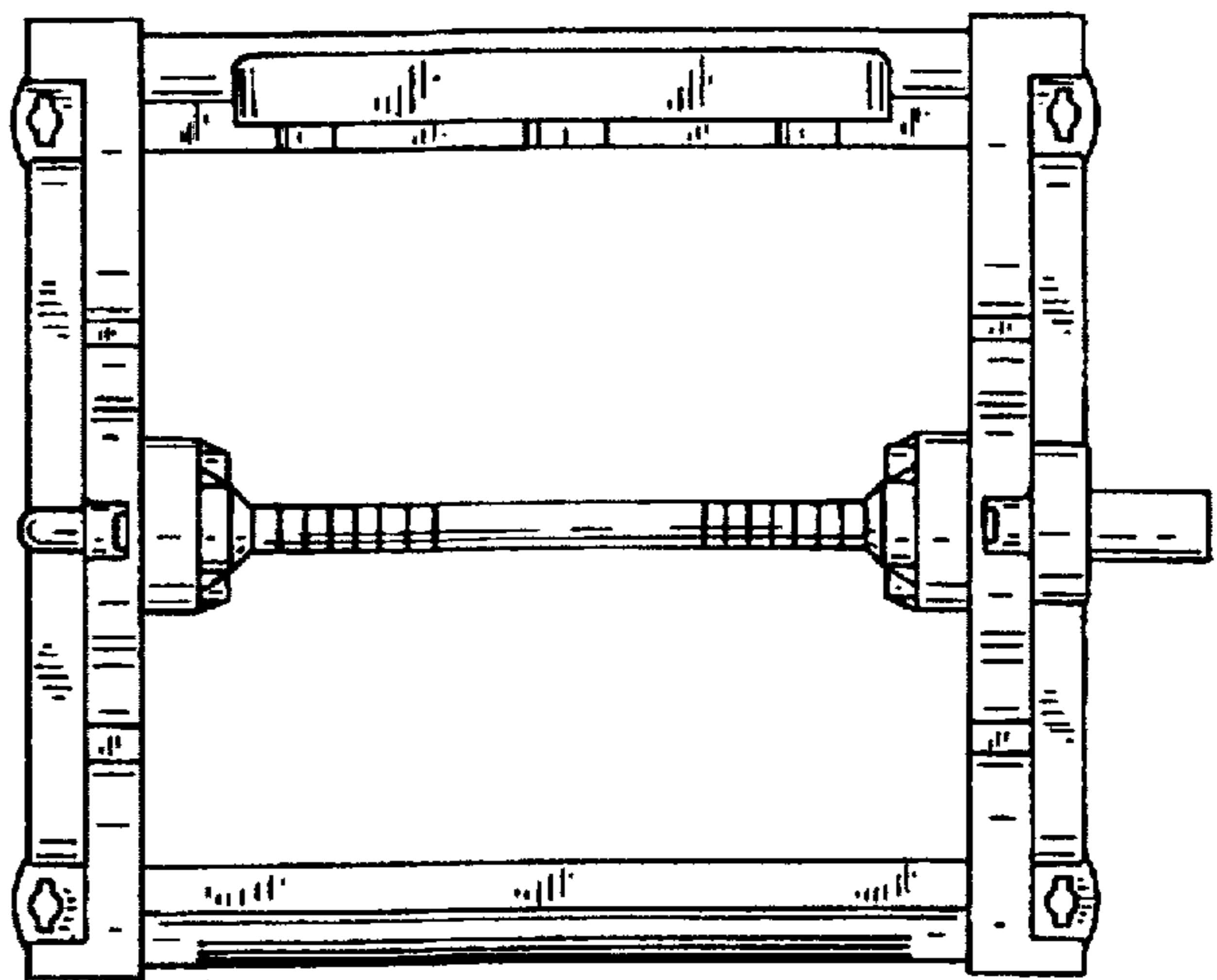


FIG. 6

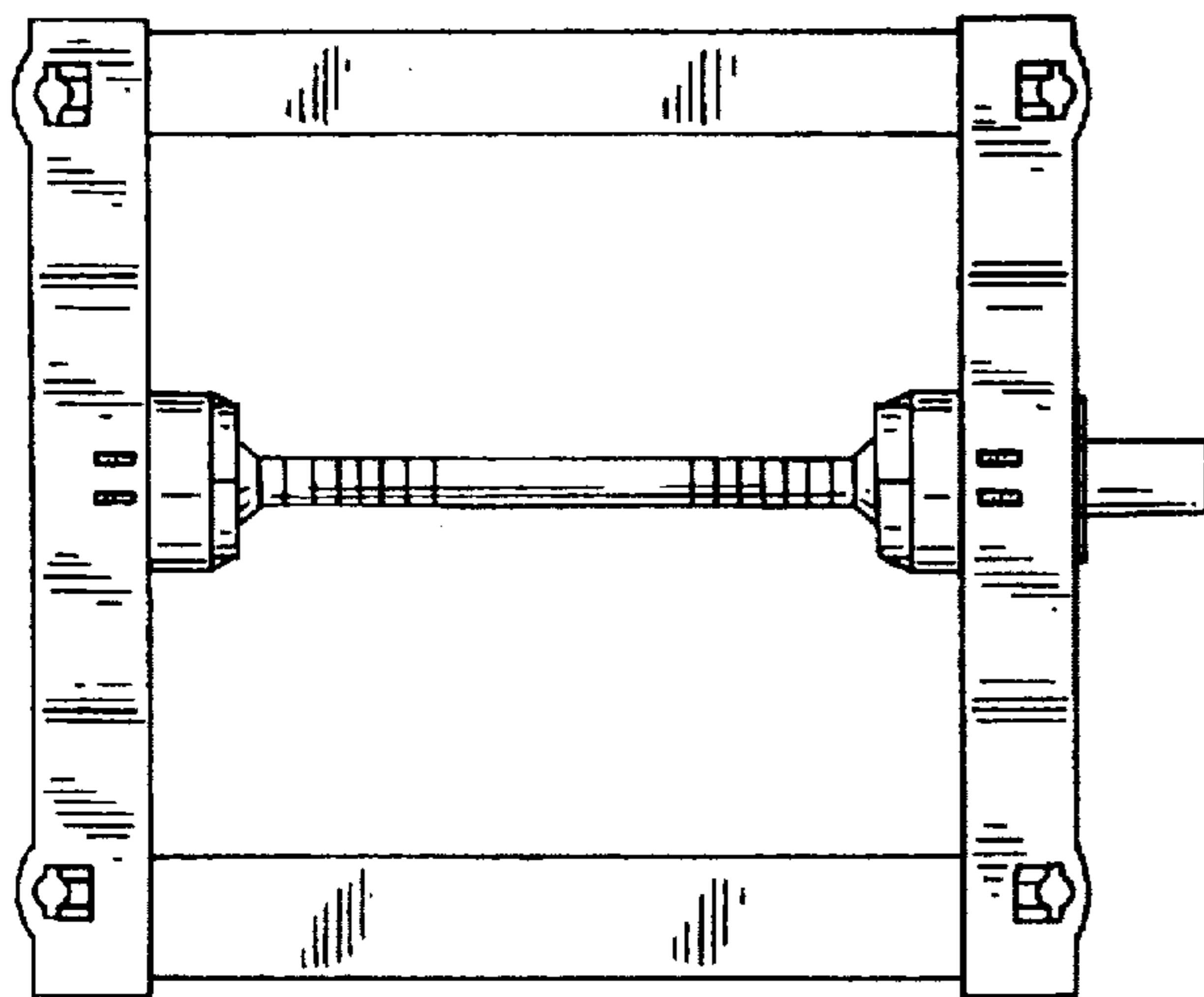


FIG. 7