



US00D390094S

United States Patent [19] Pamplin

[11] Patent Number: **Des. 390,094**
[45] Date of Patent: ****Feb. 3, 1998**

[54] **TRUCK MOUNTABLE BELT WINDER**

[76] Inventor: **Charles F. Pamplin**, Rte. 1 Box 156C,
Glen Rose, Tex. 76043

[**] Term: **14 Years**

[21] Appl. No.: **54,236**

[22] Filed: **May 10, 1996**

[51] LOC (6) Cl. **08-05**

[52] U.S. Cl. **D8/359; D12/400**

[58] Field of Search D12/400; 296/98,
296/100; 242/395, 395.1, 546.1, 587.2,
598.5, 599; D8/359

[56] **References Cited**

U.S. PATENT DOCUMENTS

D. 351,521	10/1994	Knight, III	D8/359	X
533,868	2/1895	Daly	.		
3,558,101	1/1971	Ward	242/395	X
3,954,226	5/1976	Pickering	242/587.2	X
3,998,402	12/1976	Christensen et al.	.		
4,068,564	1/1978	Dahlstrom	242/546.1	X

4,266,740	5/1981	Ramos et al.	.		
4,390,141	6/1983	Webster	.		
4,732,345	3/1988	Golden	242/546.1	X
4,892,265	1/1990	Cox	.		
5,598,985	2/1997	Winesett	242/395	

Primary Examiner—Doris V. Coles
Assistant Examiner—Catherine R. Oliver
Attorney, Agent, or Firm—Norman B. Rainer

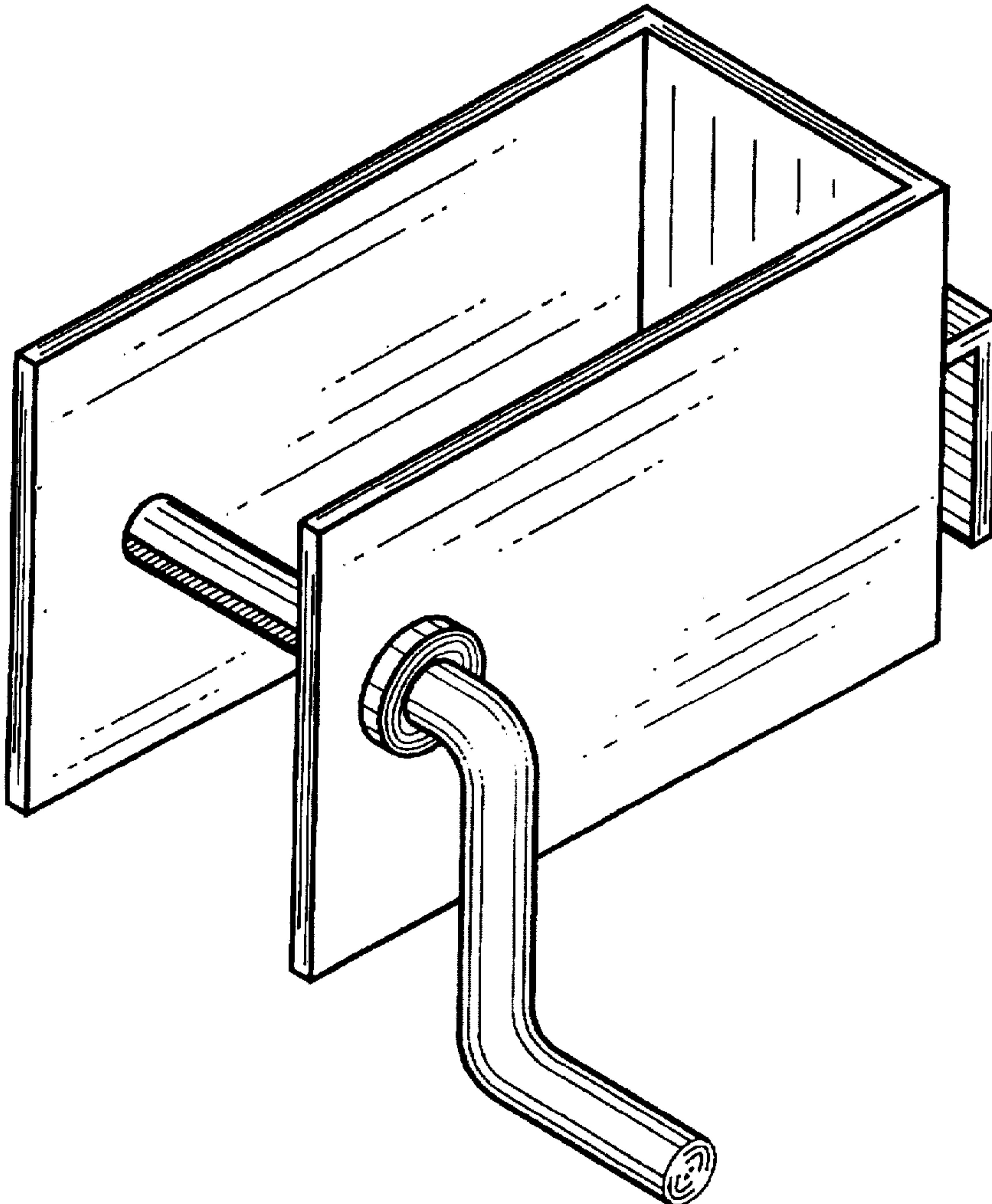
[57] **CLAIM**

The ornamental design for a truck mountable belt winder, as shown and described.

DESCRIPTION

FIG. 1 is a front and top perspective view of a truck mountable belt winder showing my new design; FIG. 2 is a top plan view, with the bottom plan view being a mirror image thereof; FIG. 3 is a left side view thereof; FIG. 4 is a right side view thereof; FIG. 5 is a rear view thereof; and, FIG. 6 is a front view thereof.

1 Claim, 1 Drawing Sheet



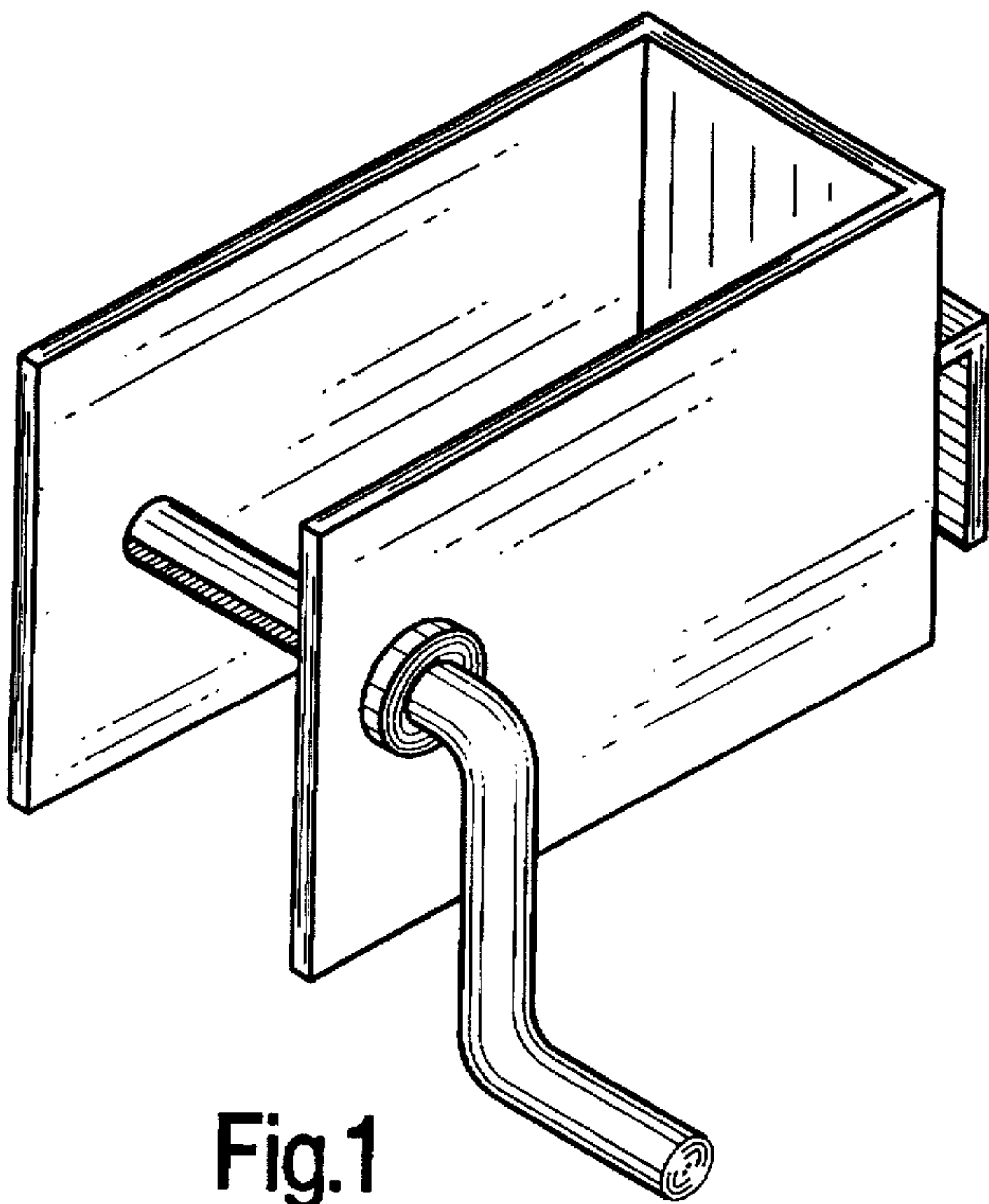


Fig.1

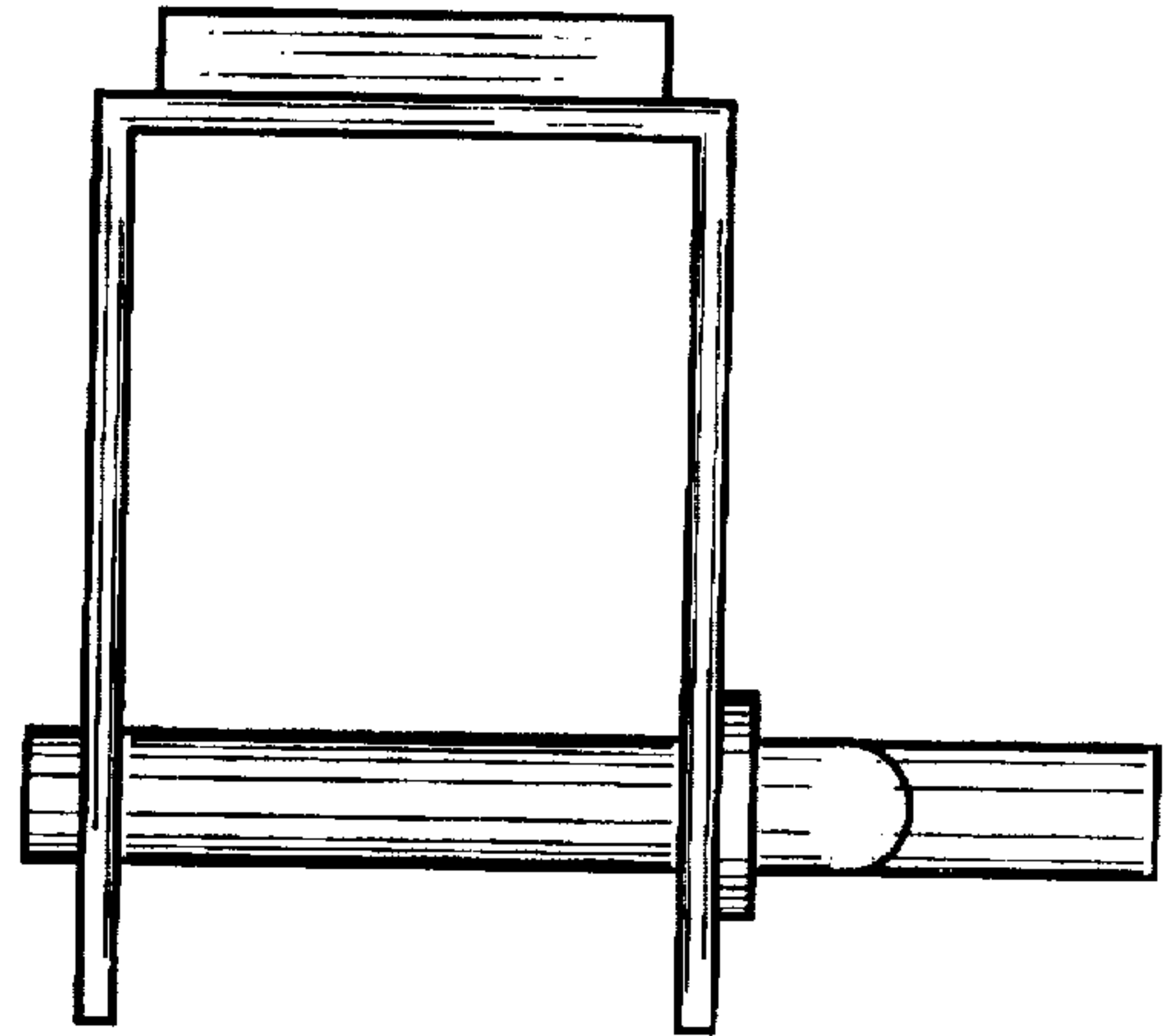


Fig.2

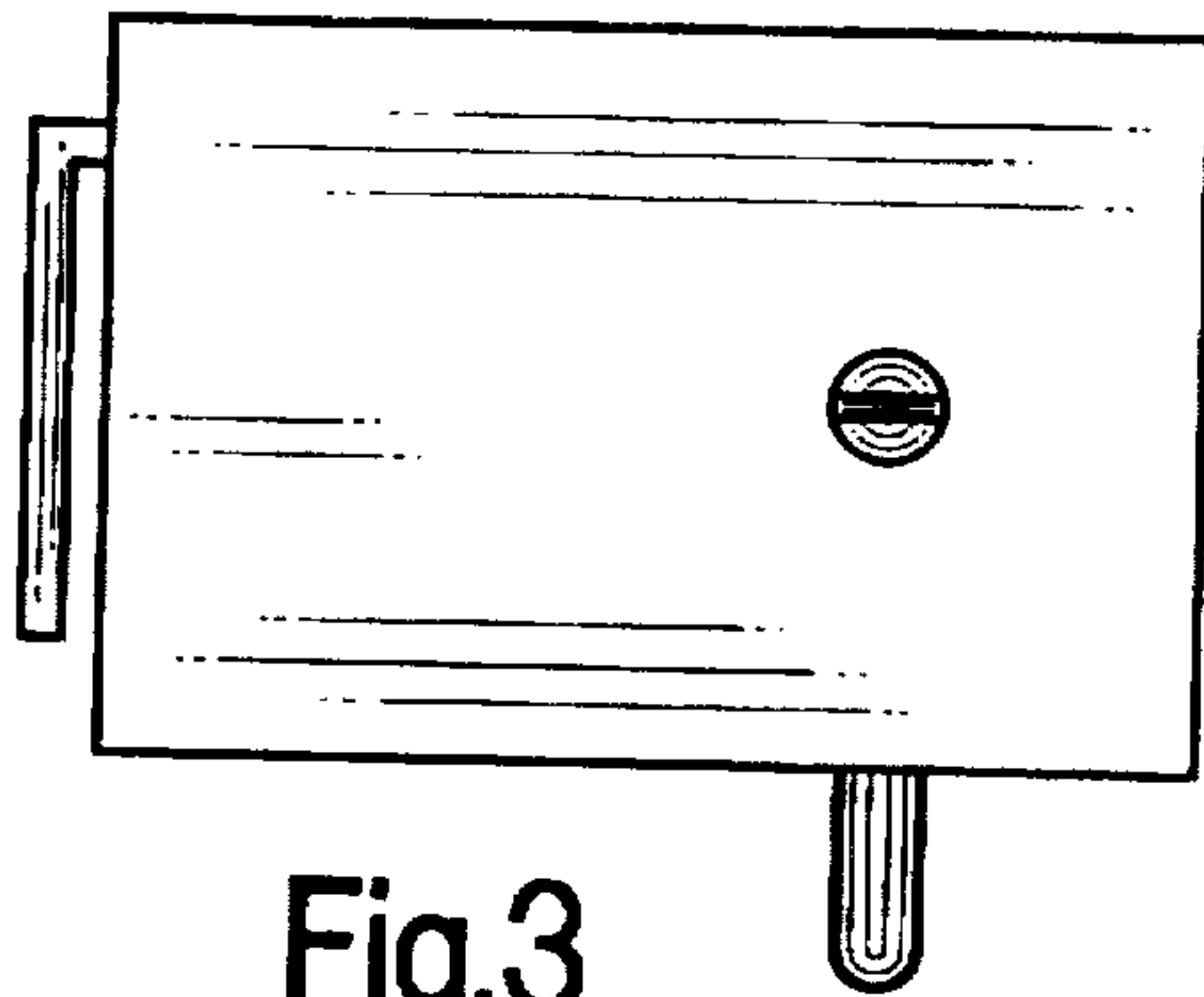


Fig.3

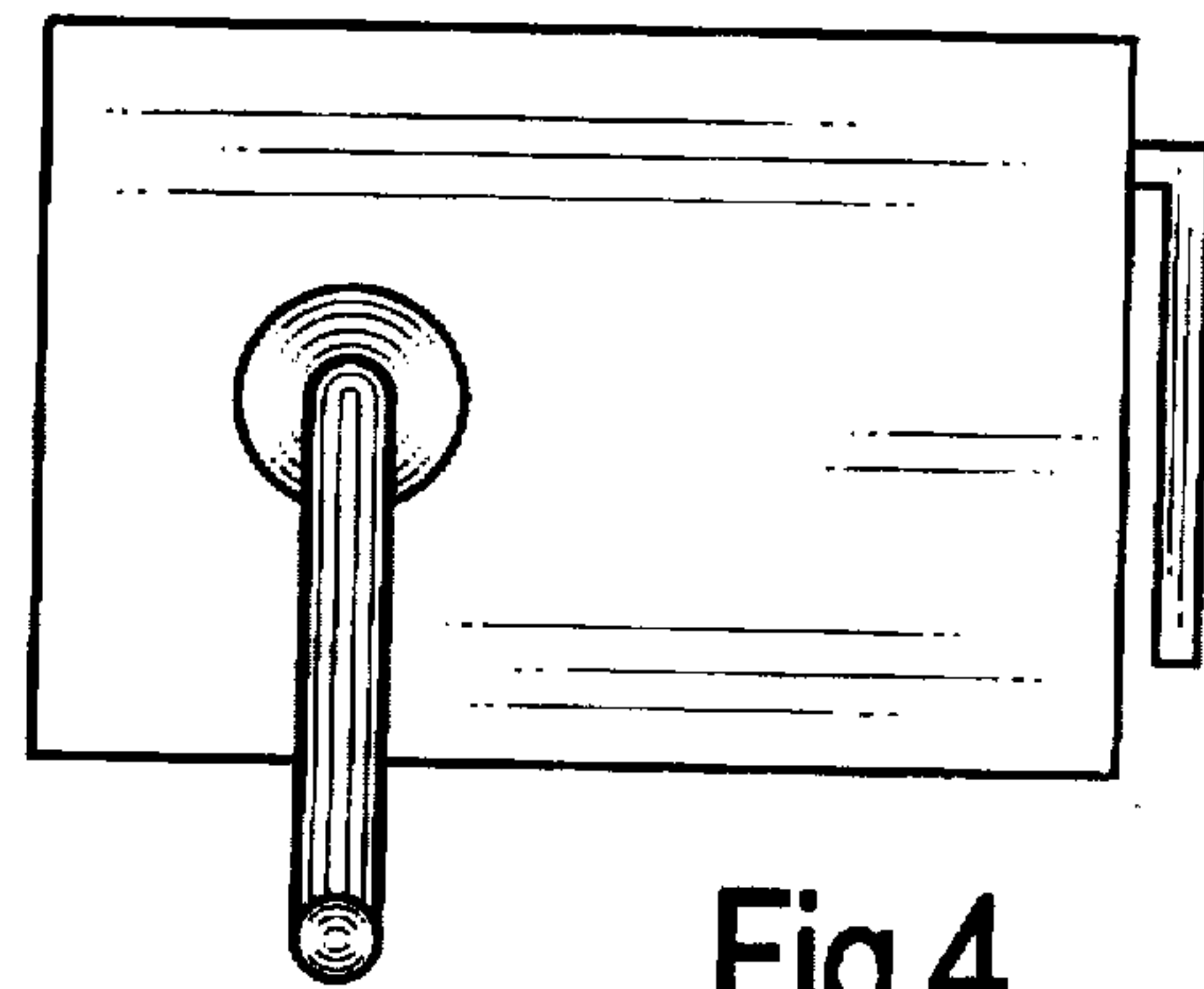


Fig.4

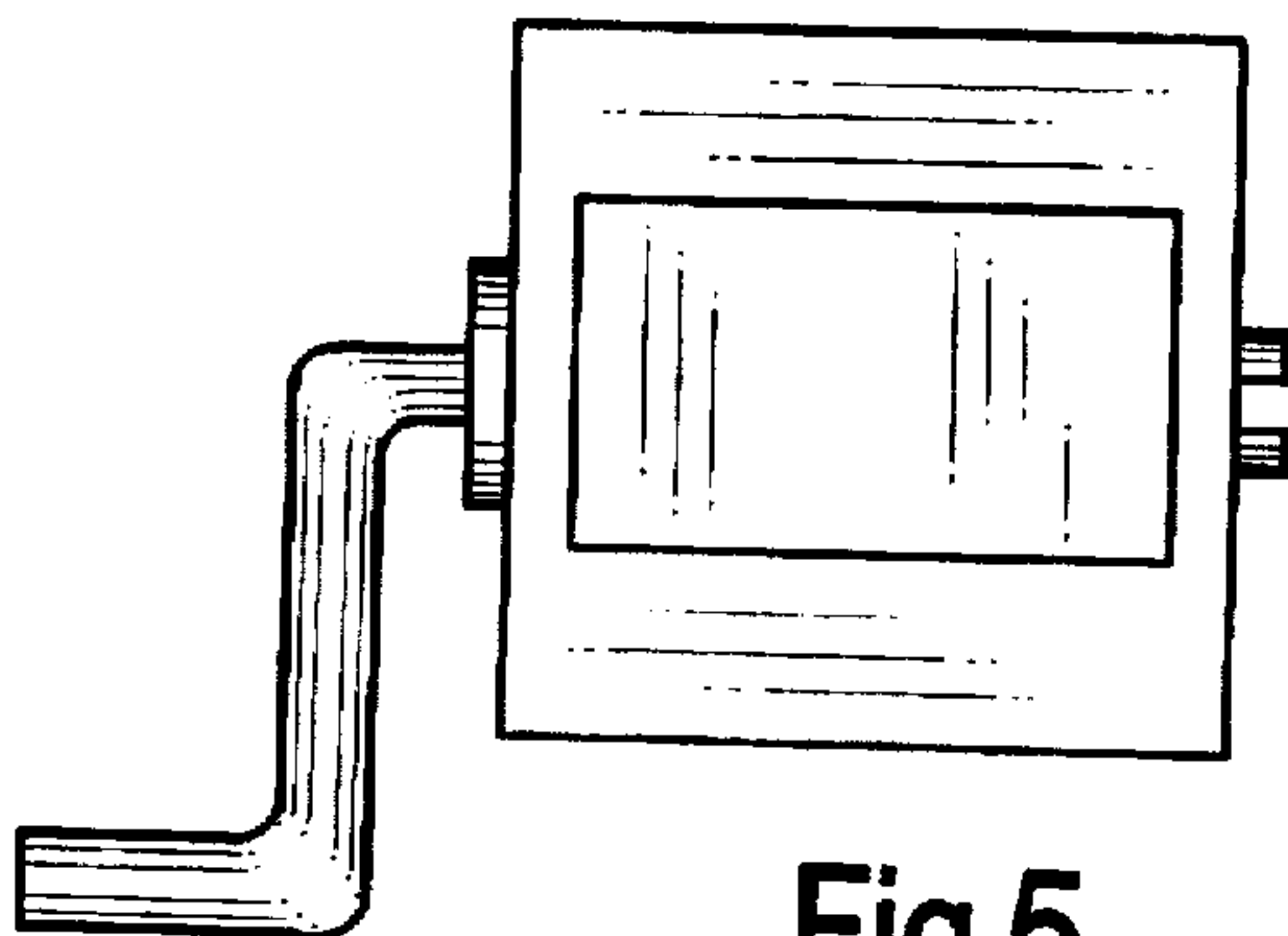


Fig.5

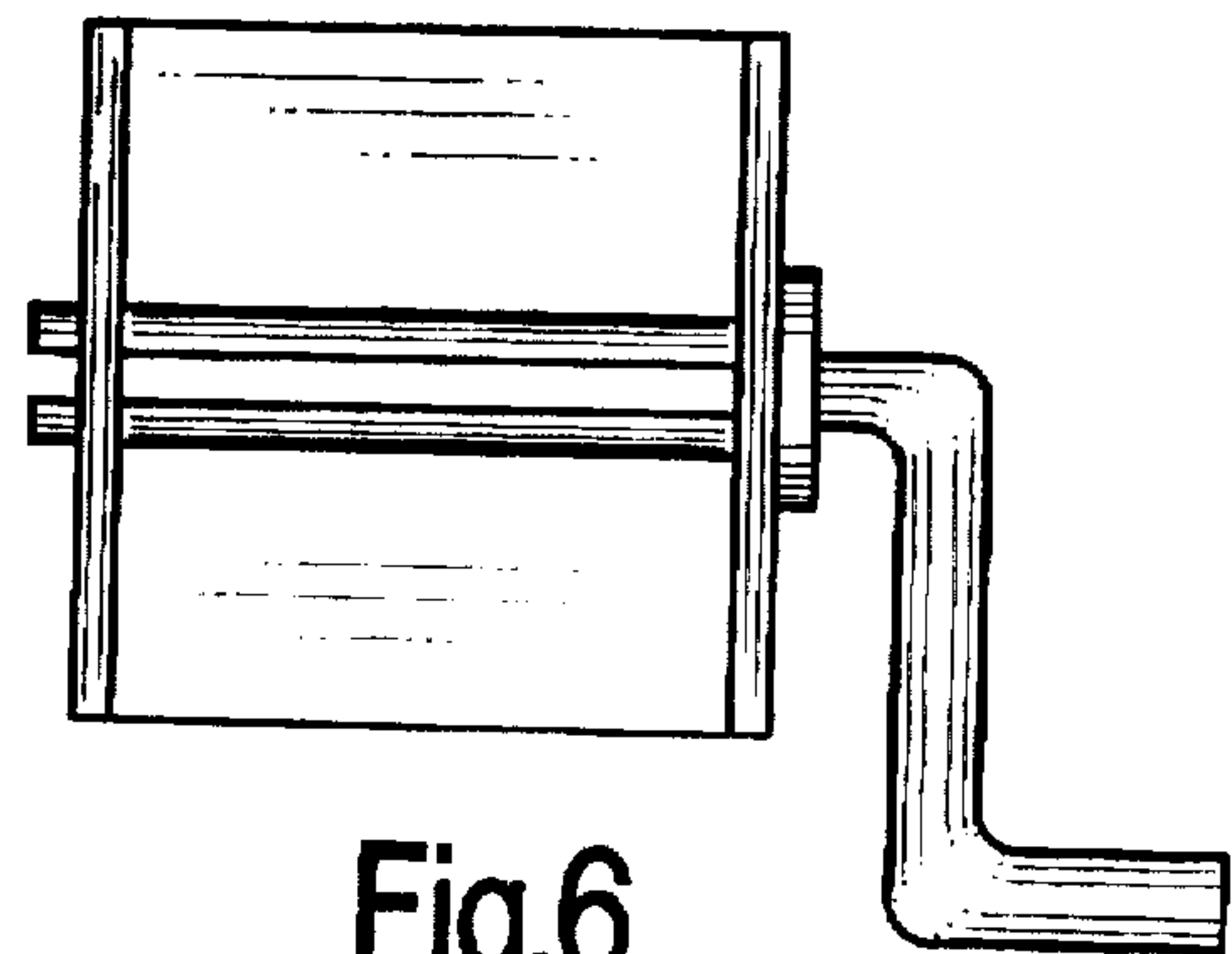


Fig.6