



US00D390093S

United States Patent [19]

[11] Patent Number: **Des. 390,093**

Spear et al.

[45] Date of Patent: ****Feb. 3, 1998**

[54] **HOSE REEL**

[75] Inventors: **Kenneth J. Spear**, Vienna; **Rudy F. Planthaber**, Mineral Wells; **Eric D. Bennett**, Parkersburg, all of W. Va.; **Steven F. Brooker**, Marietta, Ohio

[73] Assignee: **O. Ames Co.**, Parkersburg, W. Va.

[**] Term: **14 Years**

[21] Appl. No.: **63,528**

[22] Filed: **Dec. 10, 1996**

[51] LOC (6) Cl. **08-05**

[52] U.S. Cl. **D8/358**

[58] Field of Search D8/356, 358, 359; 242/118, 118.4, 129, 129.5, 129.51, 129.6, 405.1, 407; 137/355.16, 355.17, 355.18, 355.19, 355.2, 355.28; 239/195; 191/12.2 R, 12.4

[56] **References Cited**

U.S. PATENT DOCUMENTS

D. 317,113	5/1991	Fowler	D8/358
D. 374,166	10/1996	Czerwinski et al.	D8/359
D. 379,425	5/1997	Wright et al.	D8/359
5,056,553	10/1991	Whitehead et al.	137/355.27

Primary Examiner—Alan P. Douglas
Assistant Examiner—Lavone D. Tabor
Attorney, Agent, or Firm—Cushman Darby & Cushman IP Group of Pillsbury Madison & Sutro LLP

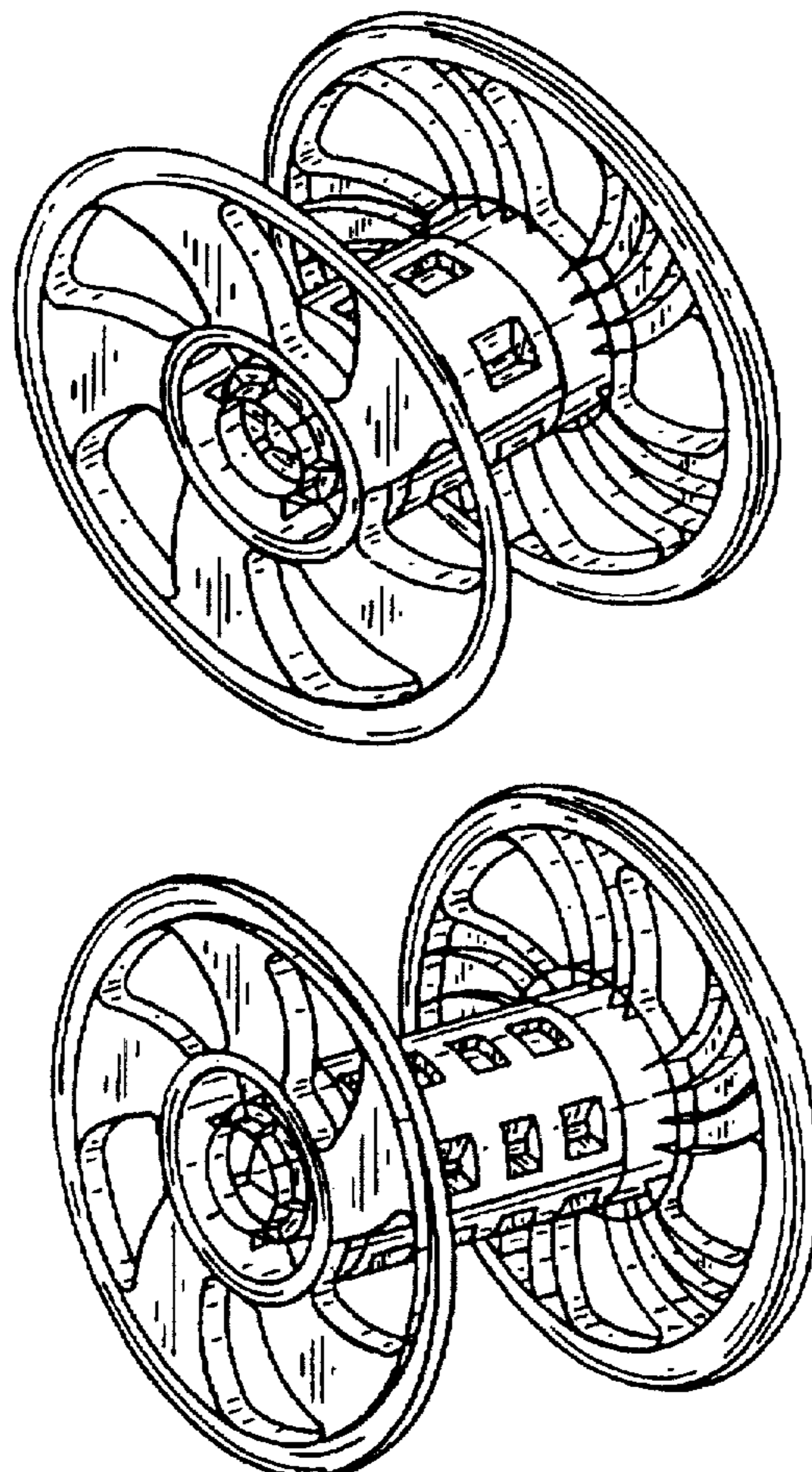
[57] **CLAIM**

The ornamental design for a hose reel, as shown and described.

DESCRIPTION

FIG. 1 is a perspective view showing one embodiment of our new design for a hose reel;
FIG. 2 is a right hand end view thereof, the left hand end view being a mirror image thereof;
FIG. 3 is a front elevational view thereof;
FIG. 4 is a rear elevational view thereof;
FIG. 5 is a bottom plan view thereof;
FIG. 6 is a top plan view thereof;
FIG. 7 is a perspective view of another embodiment of our new design for a hose reel;
FIG. 8 is a rear elevational view thereof;
FIG. 9 is a front elevational view thereof;
FIG. 10 is right hand end view thereof, the left hand end view being a mirror image thereof;
FIG. 11 is a top plan view thereof; and,
FIG. 12 is a bottom plan view thereof.

1 Claim, 2 Drawing Sheets



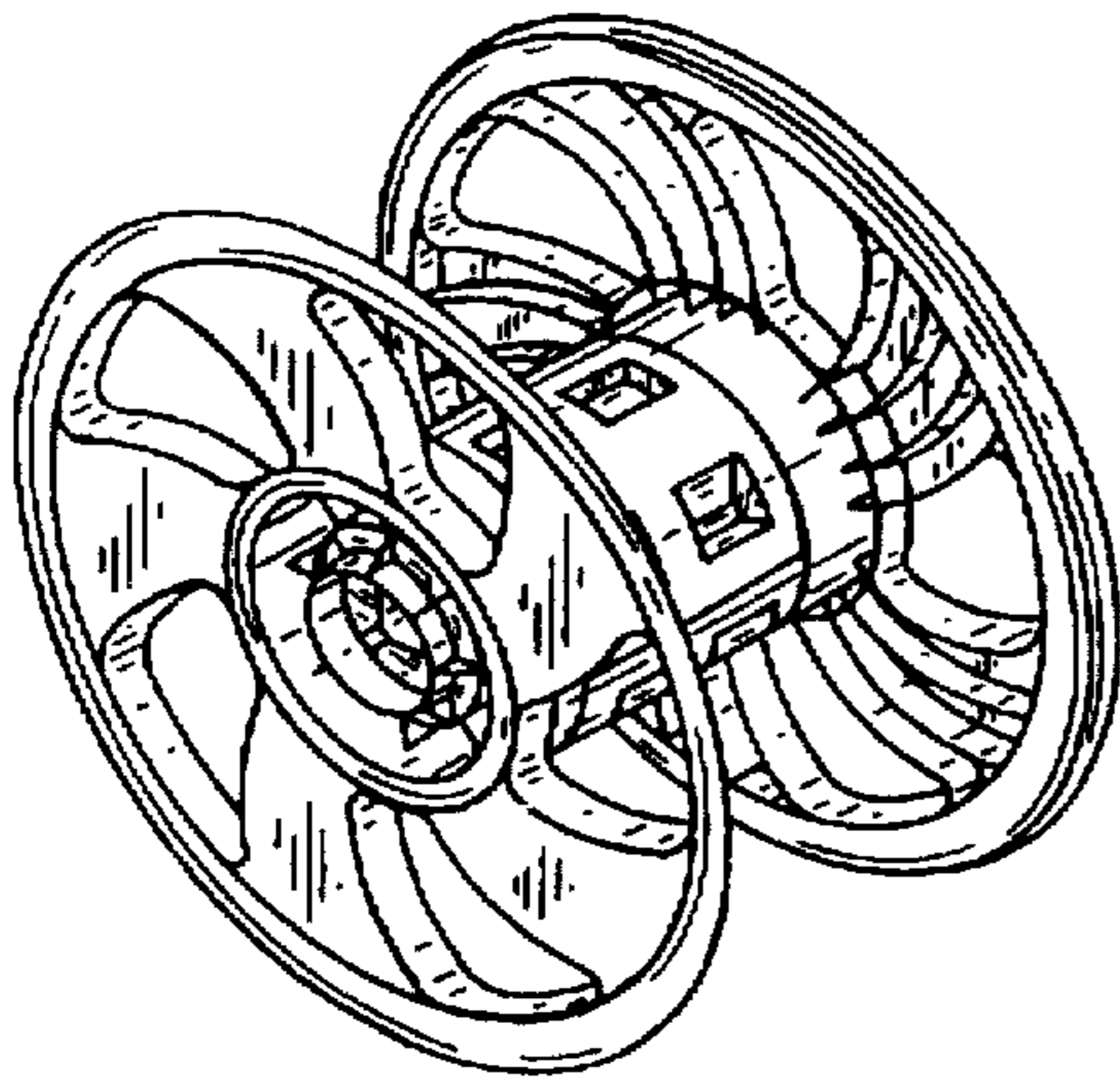


FIG. 1

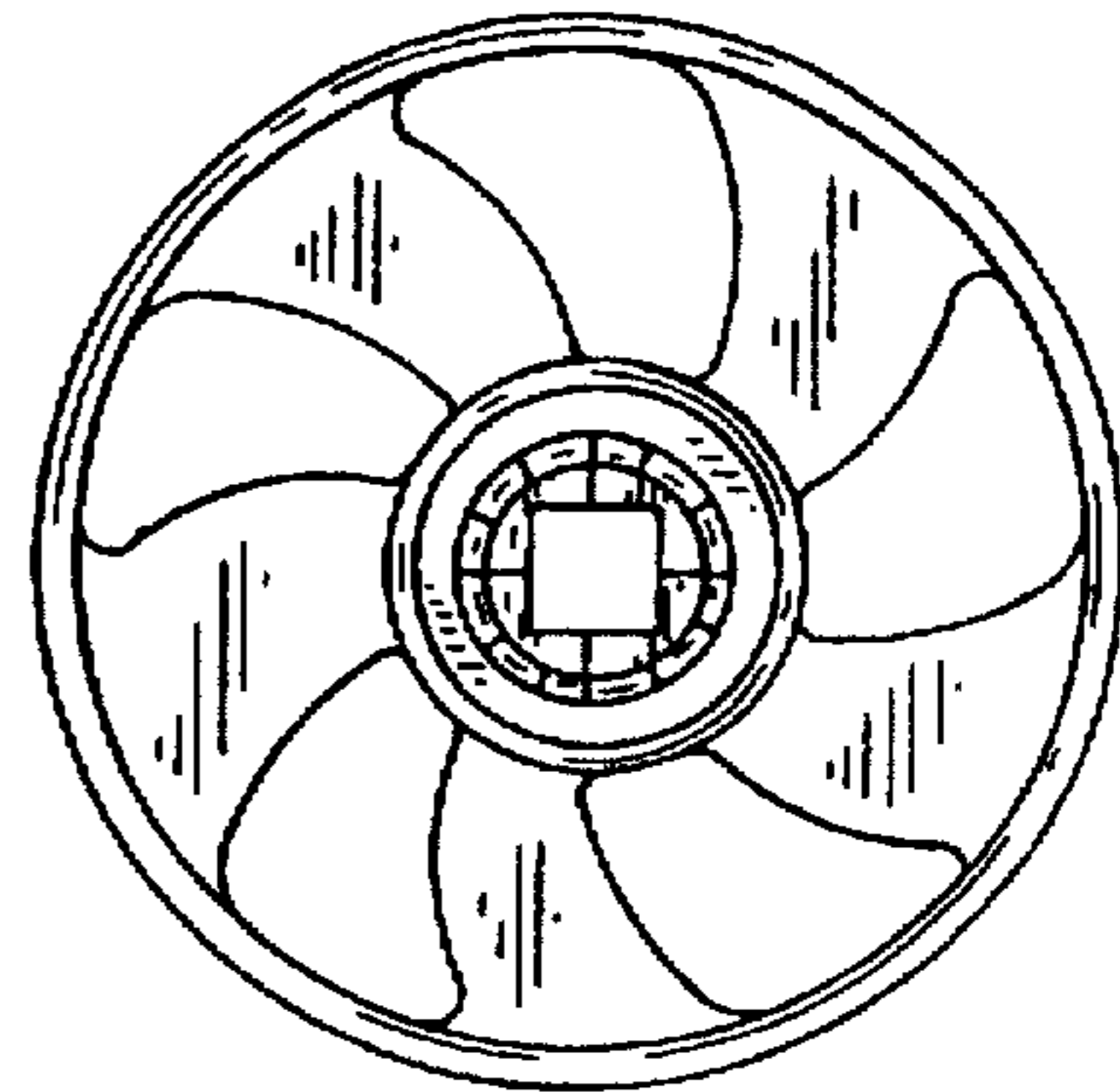


FIG. 2

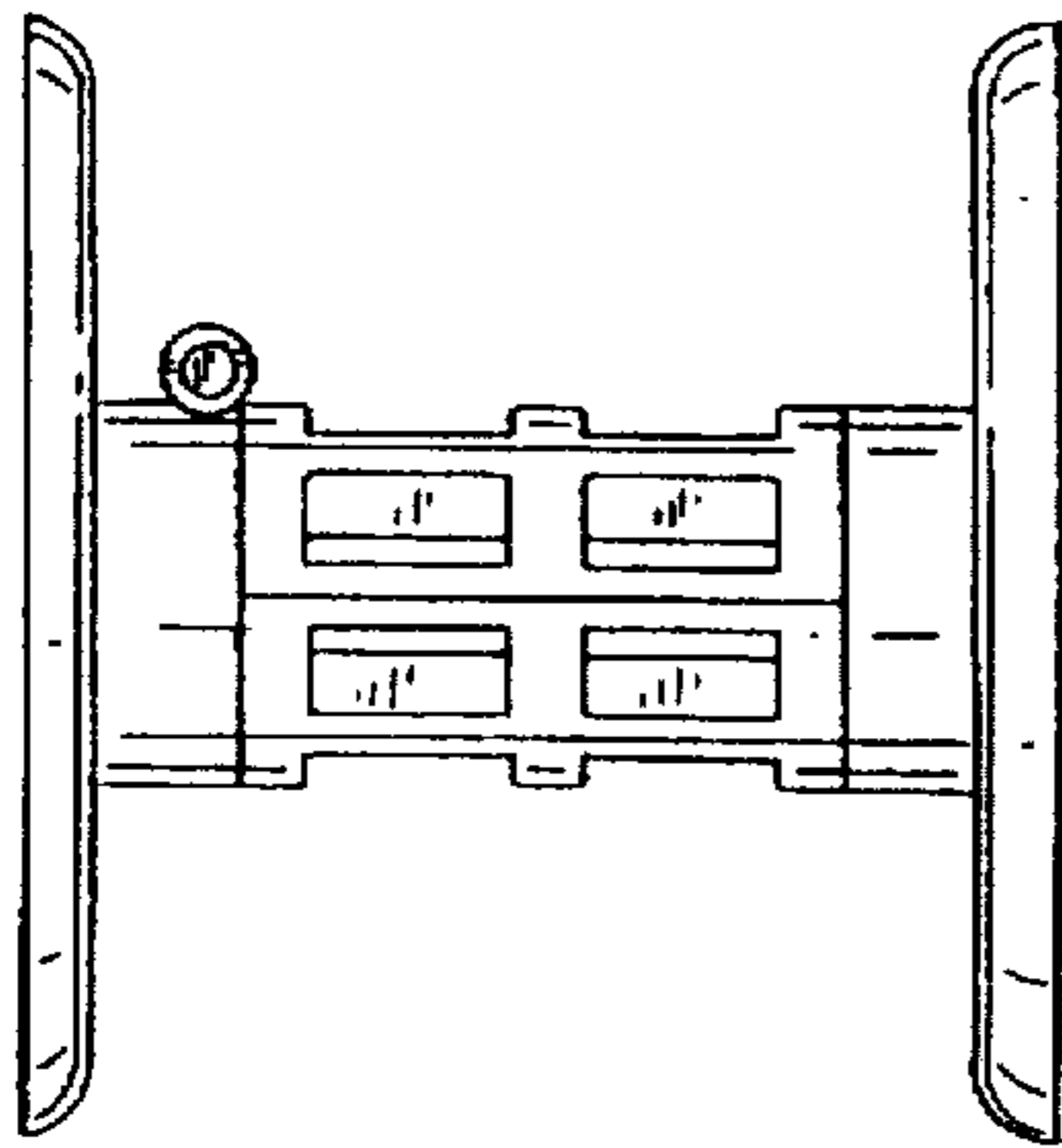


FIG. 3

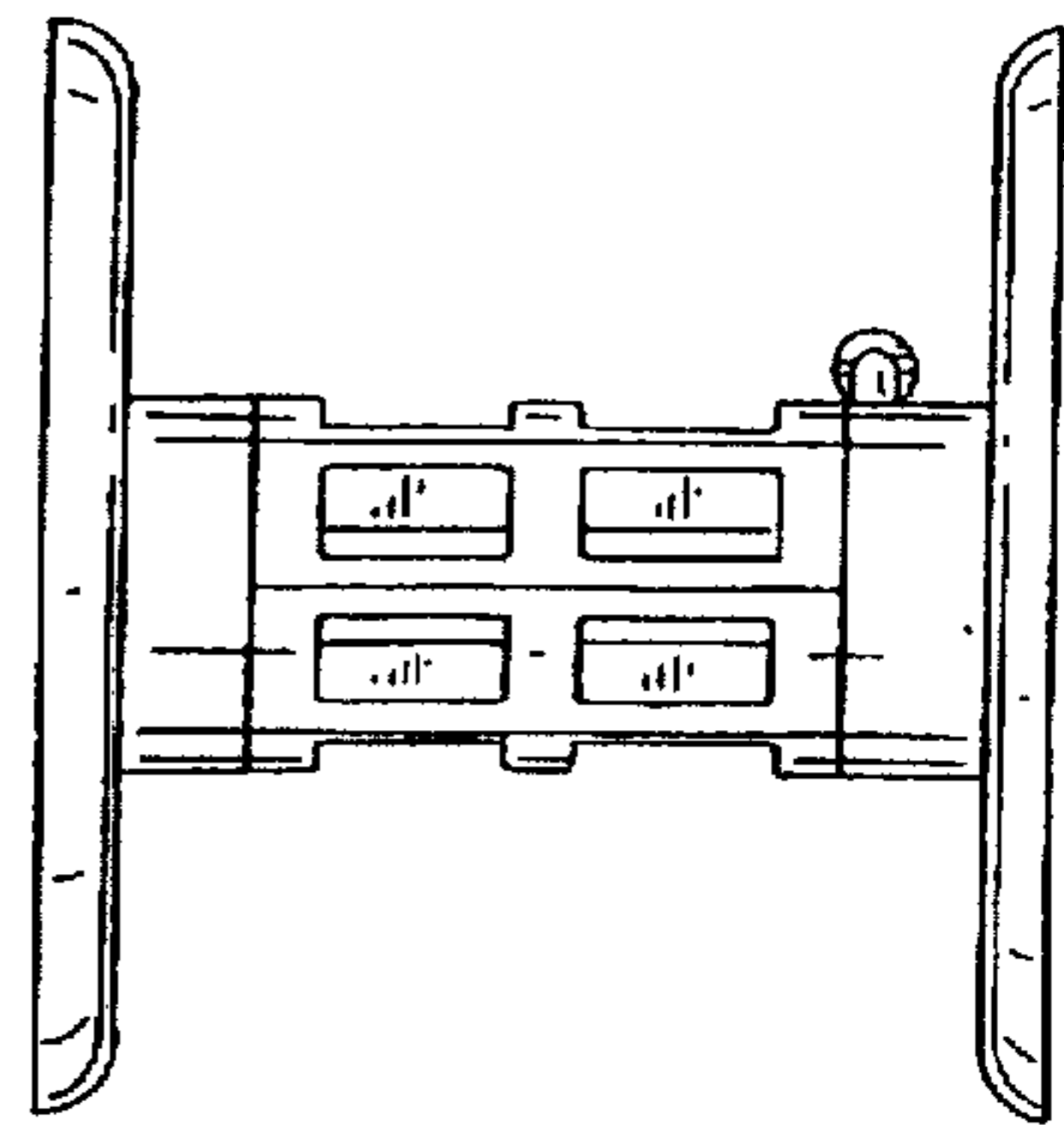


FIG. 4

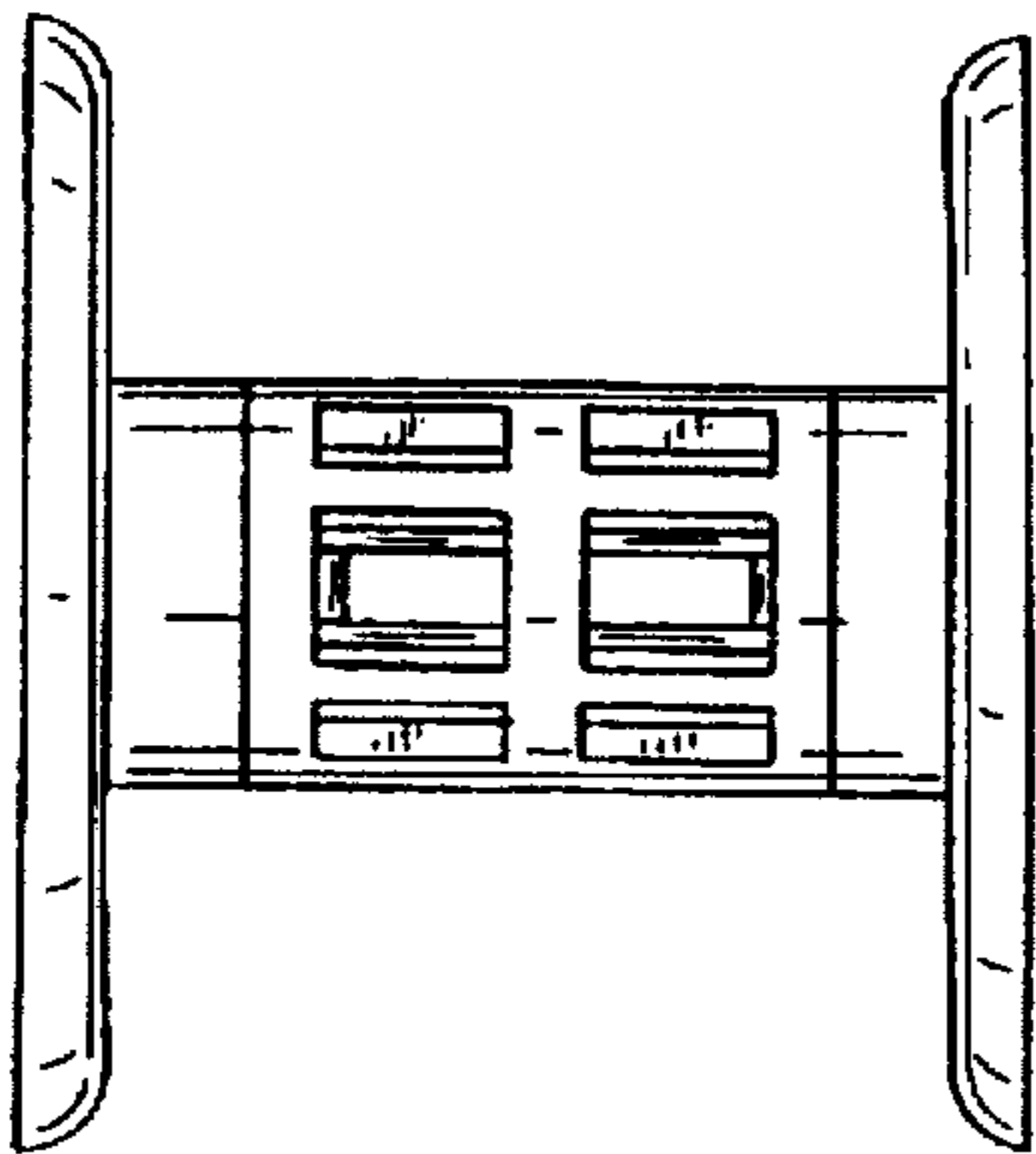


FIG. 5

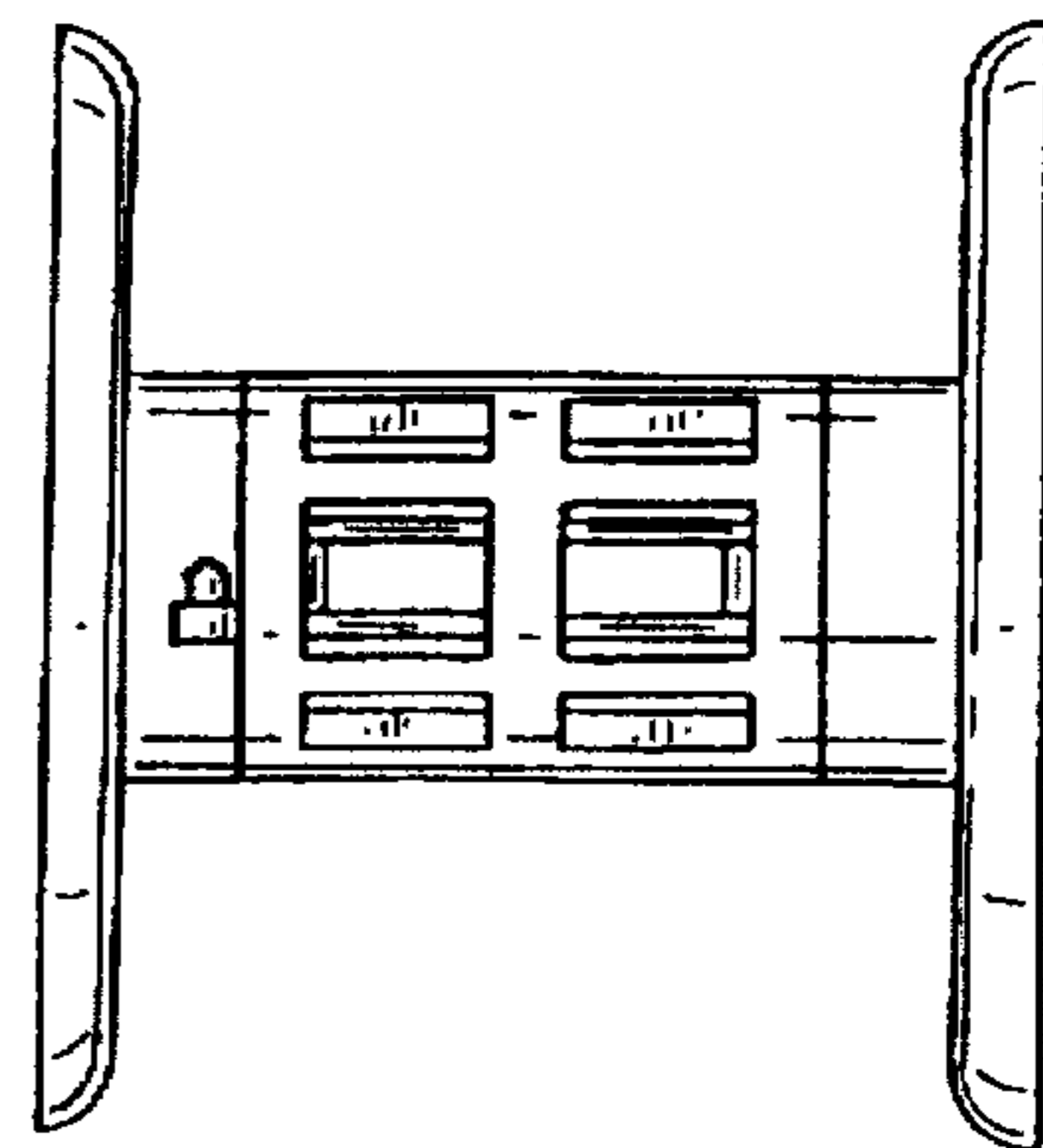


FIG. 6

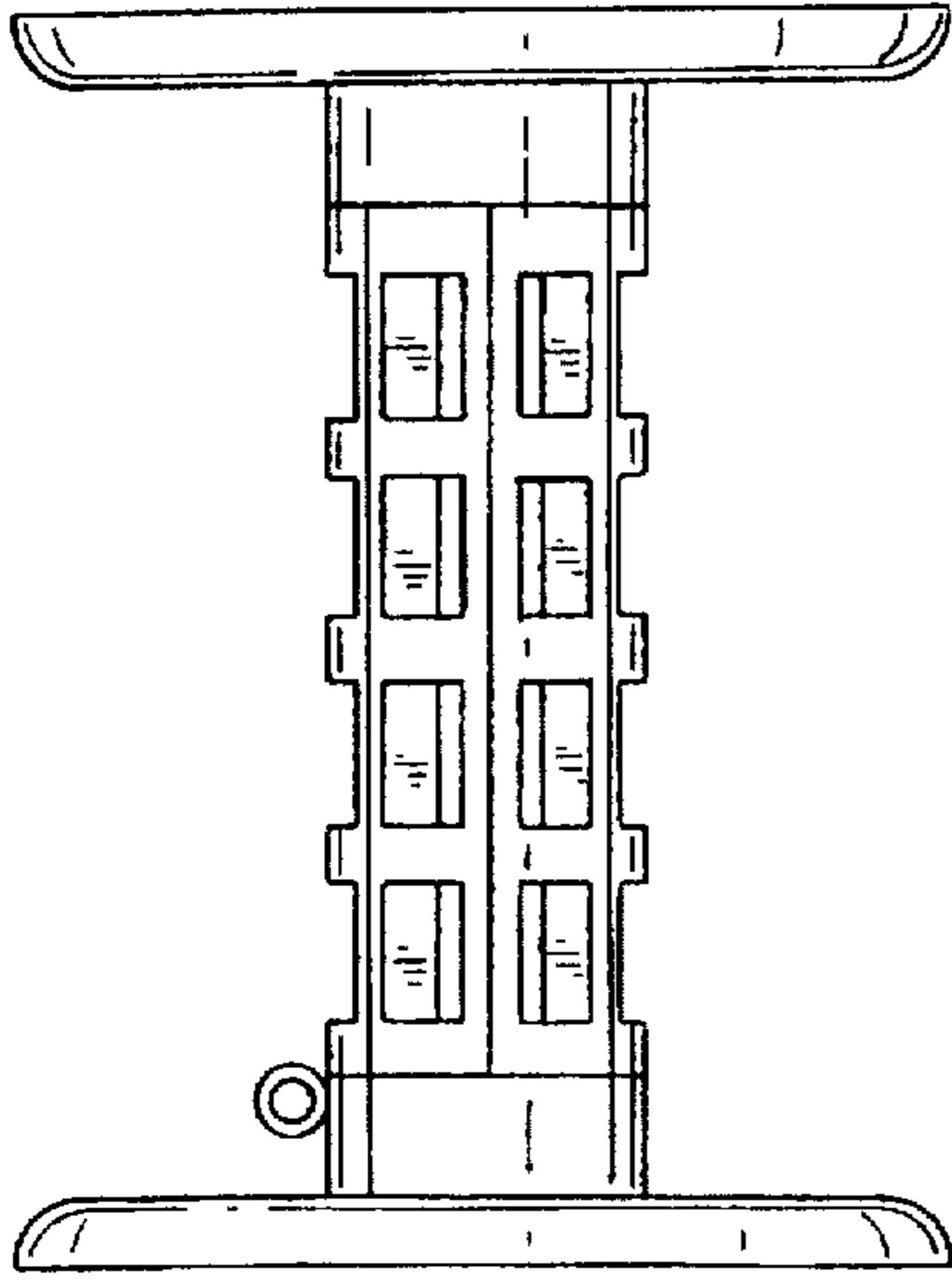


FIG. 9

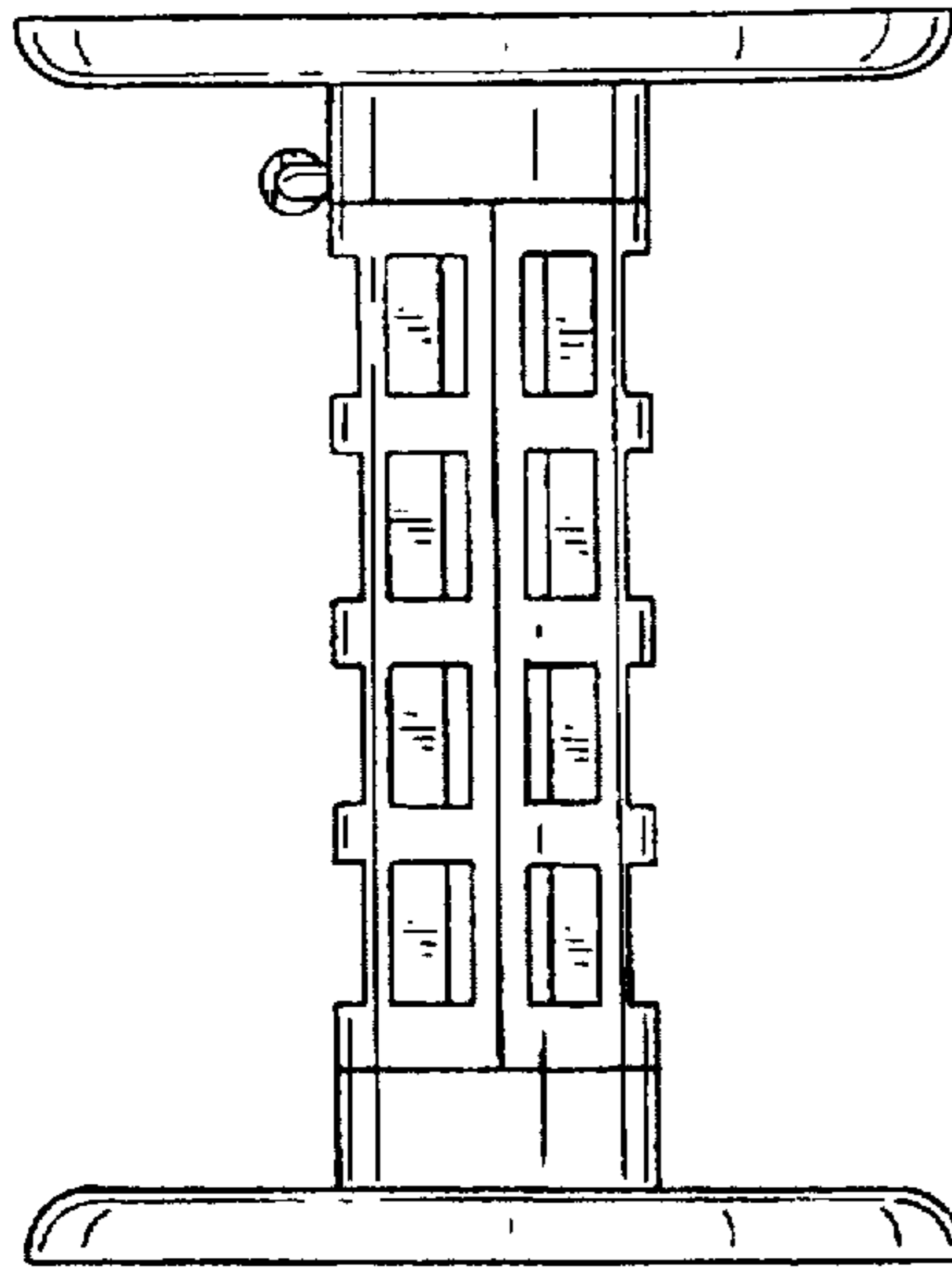


FIG. 8

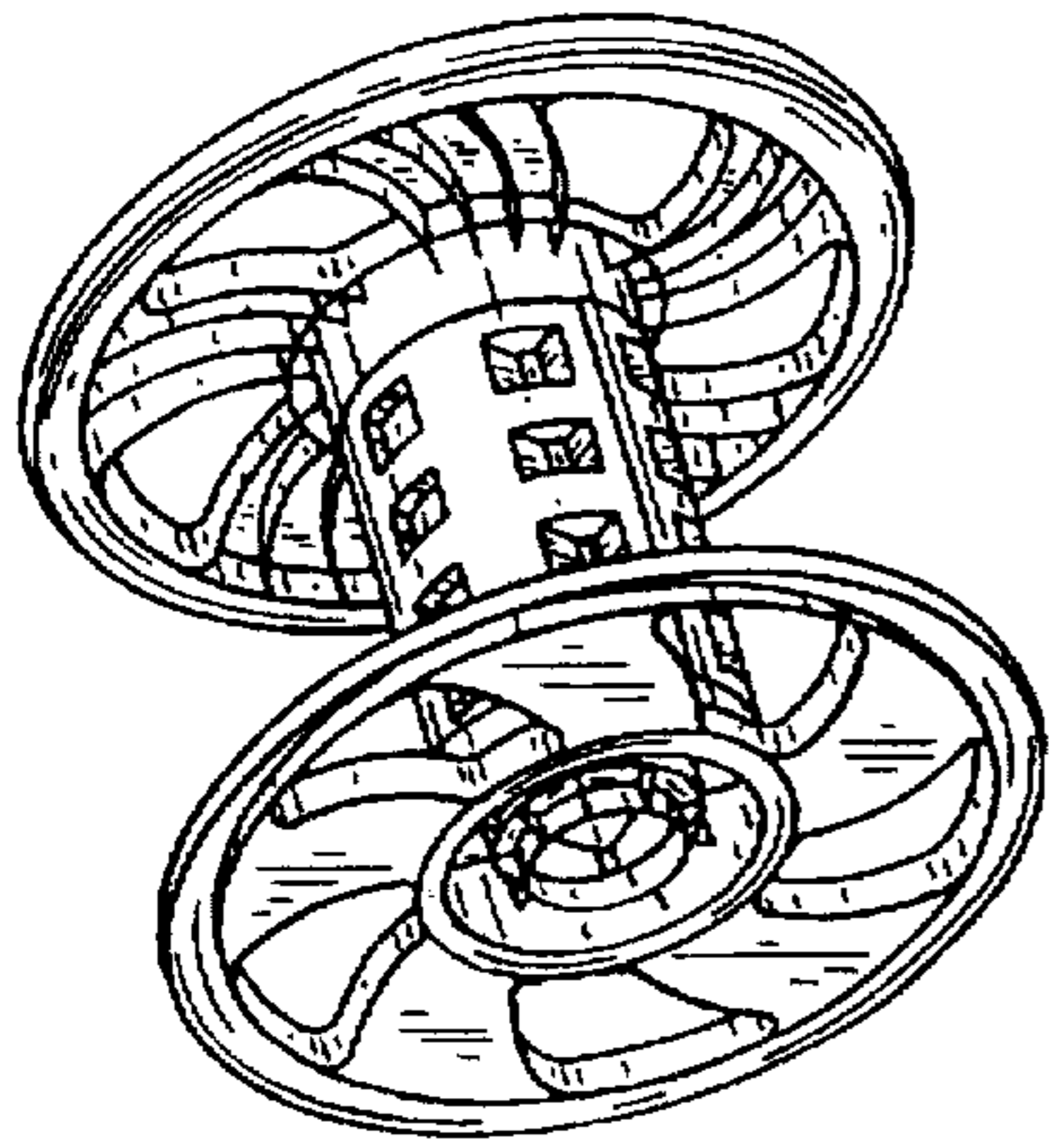


FIG. 7

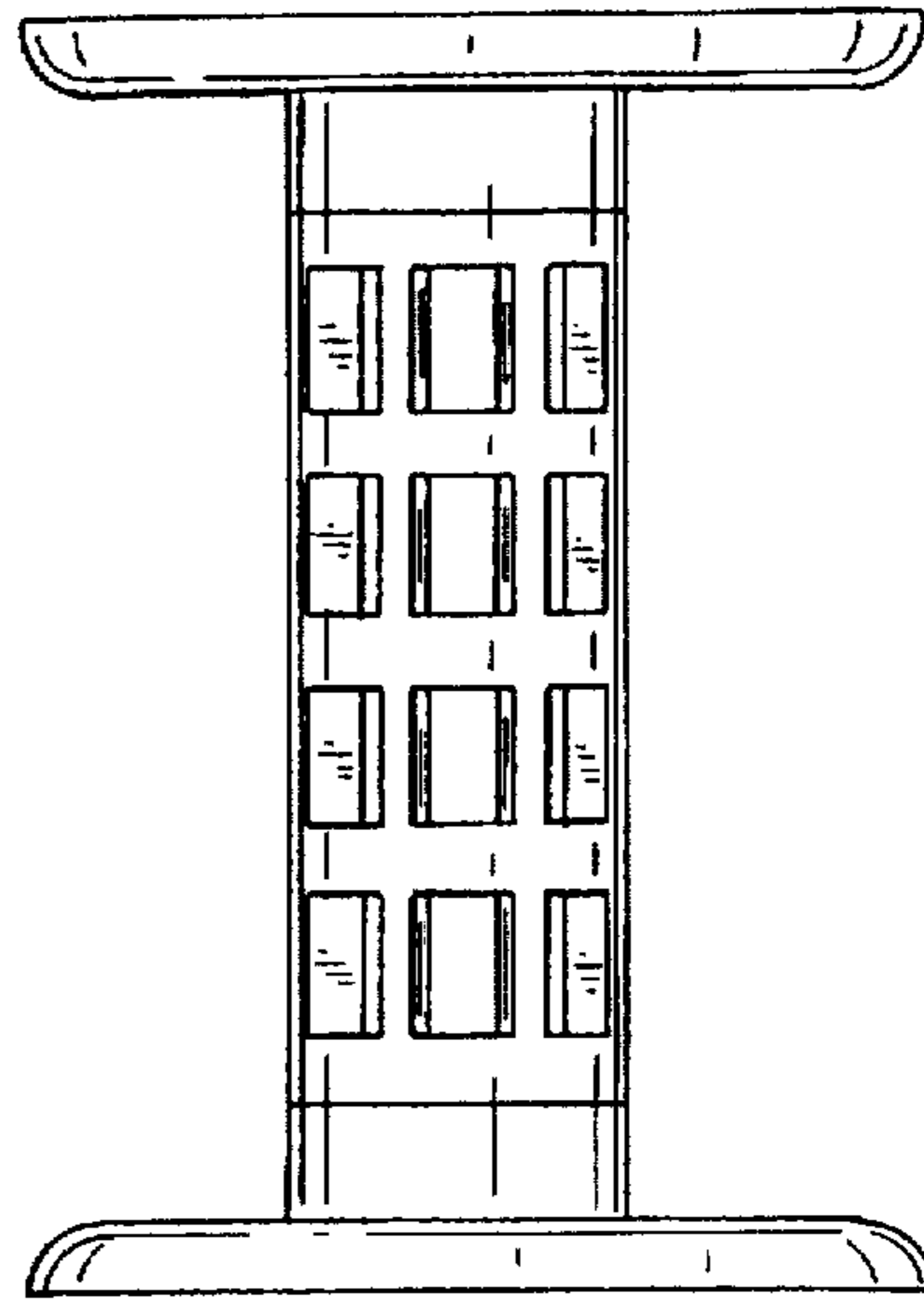


FIG. 12

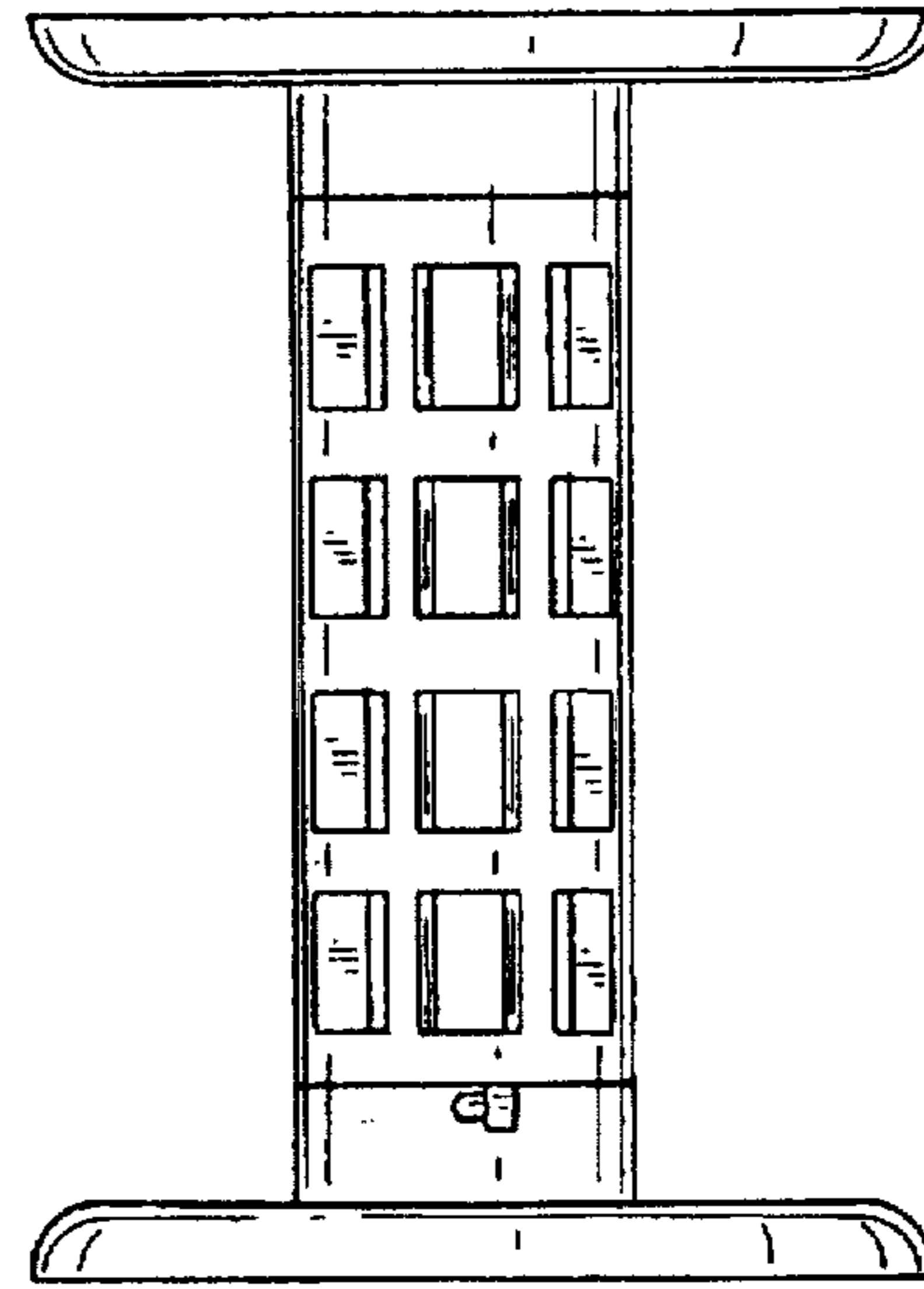


FIG. 11

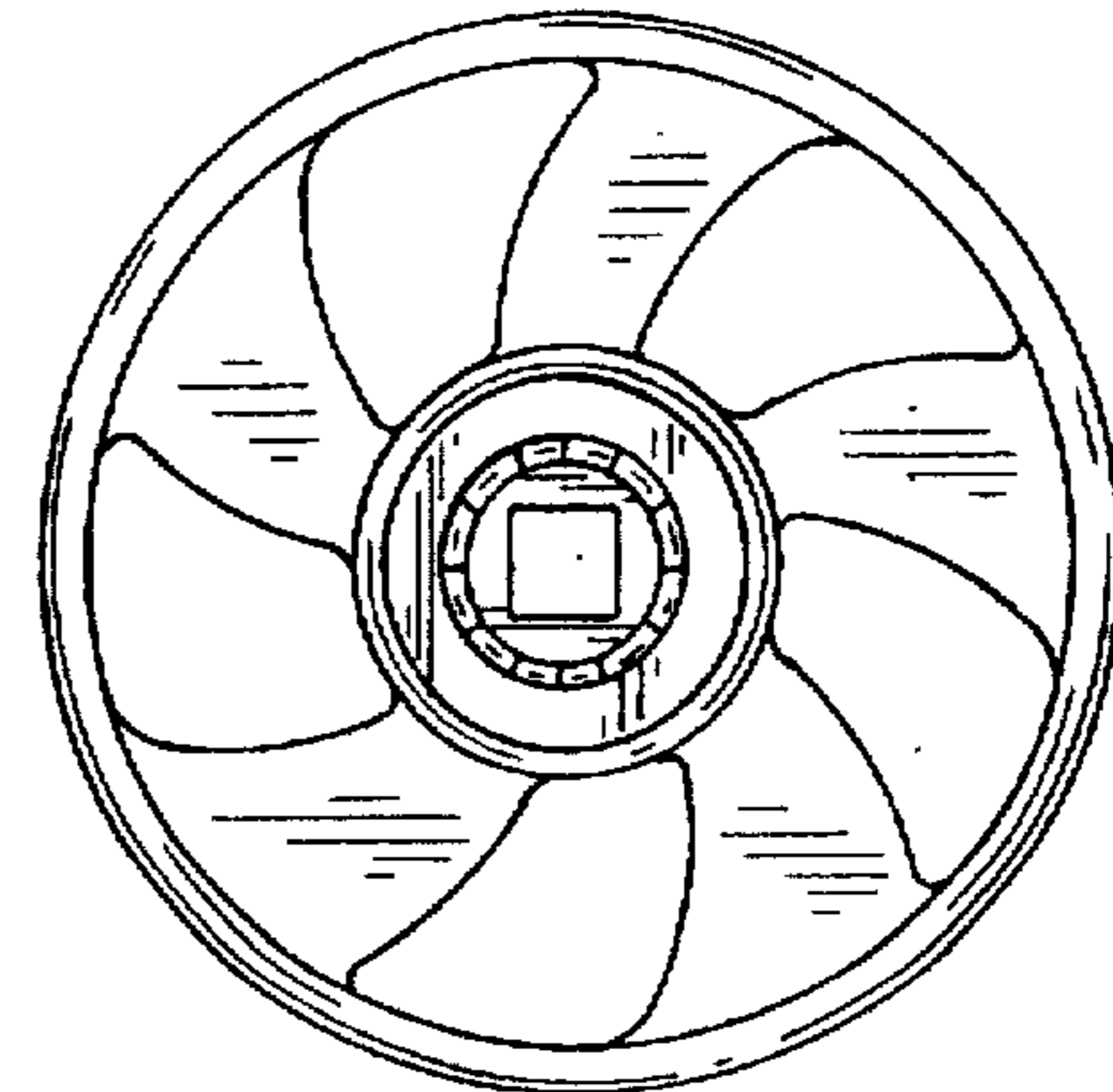


FIG. 10