



US00D390091S

United States Patent [19] Munger

[11] Patent Number: **Des. 390,091**
[45] Date of Patent: ****Feb. 3, 1998**

[54] **ADJUSTABLE TRANSDUCER MOUNTING BRACKET**

5,016,225 5/1991 Blomberg 367/173
5,201,896 4/1993 Kruszewski 248/278.1

[76] Inventor: **Reginald Munger**, 201 Commerce, P.O. Box 132, Savoy, Tex. 75479

Primary Examiner—Holly Baynham
Attorney, Agent, or Firm—Harold H. Dutton, Jr.

[**] Term: **14 Years**

[57] **CLAIM**

[21] Appl. No.: **60,823**

The ornamental design for an adjustable transducer mounting bracket, as shown.

[22] Filed: **Oct. 8, 1996**

DESCRIPTION

[51] **LOC (6) Cl.** **08-05**

[52] **U.S. Cl.** **D8/355; D8/349**

[58] **Field of Search** **D8/349, 354, 373; 367/173; 248/300, 278.1, 292.13**

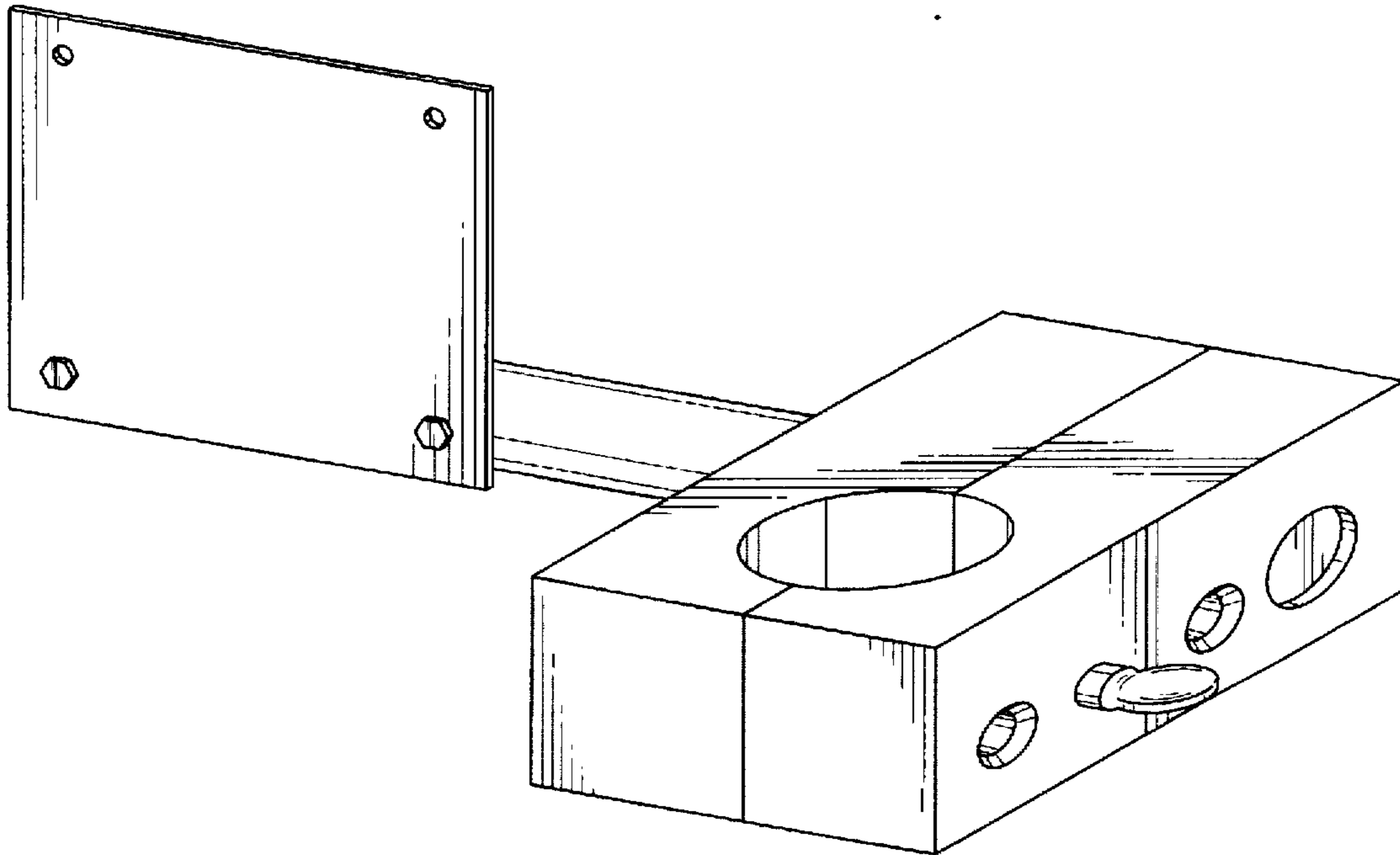
FIG. 1 is a perspective view thereof;
FIG. 2 is a front view thereof;
FIG. 3 is a rear view thereof;
FIG. 4 is a top view thereof;
FIG. 5 is a left view thereof; and,
FIG. 6 is a right view thereof.

[56] **References Cited**

U.S. PATENT DOCUMENTS

D. 334,335 3/1993 Boucher et al. D8/373

1 Claim, 4 Drawing Sheets



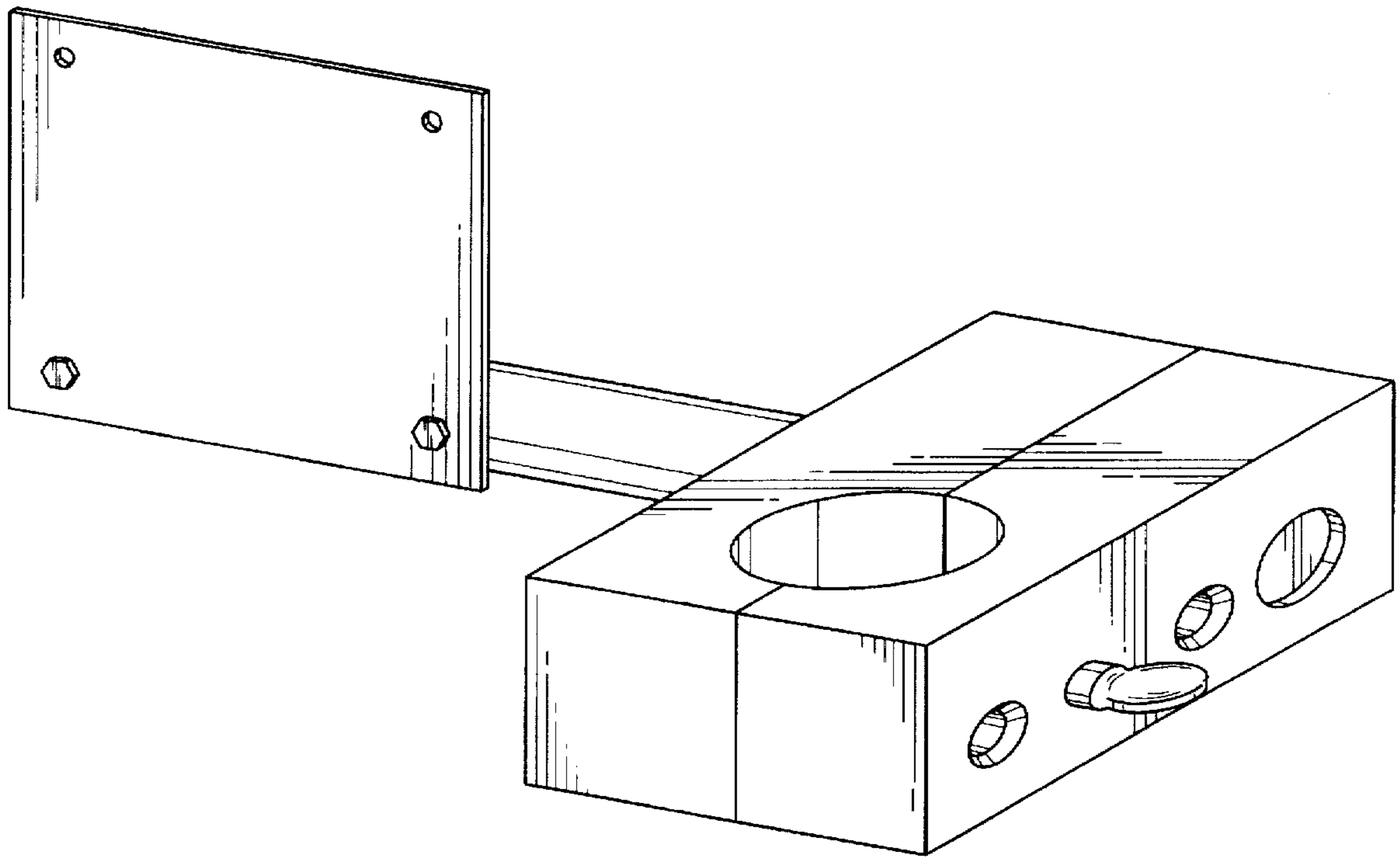


FIG. 1

FIG. 2

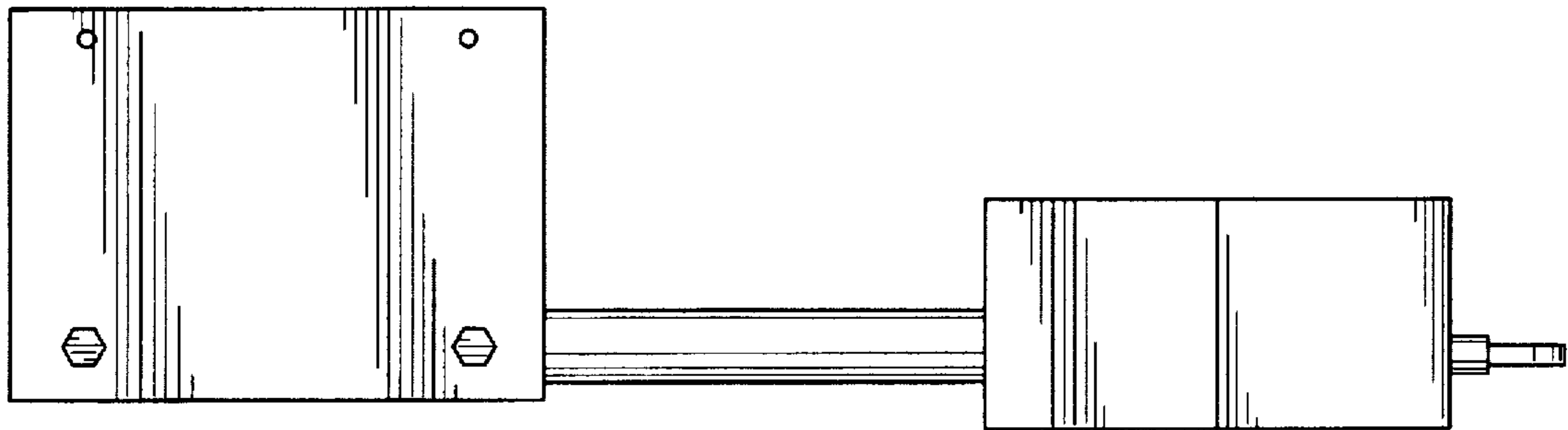
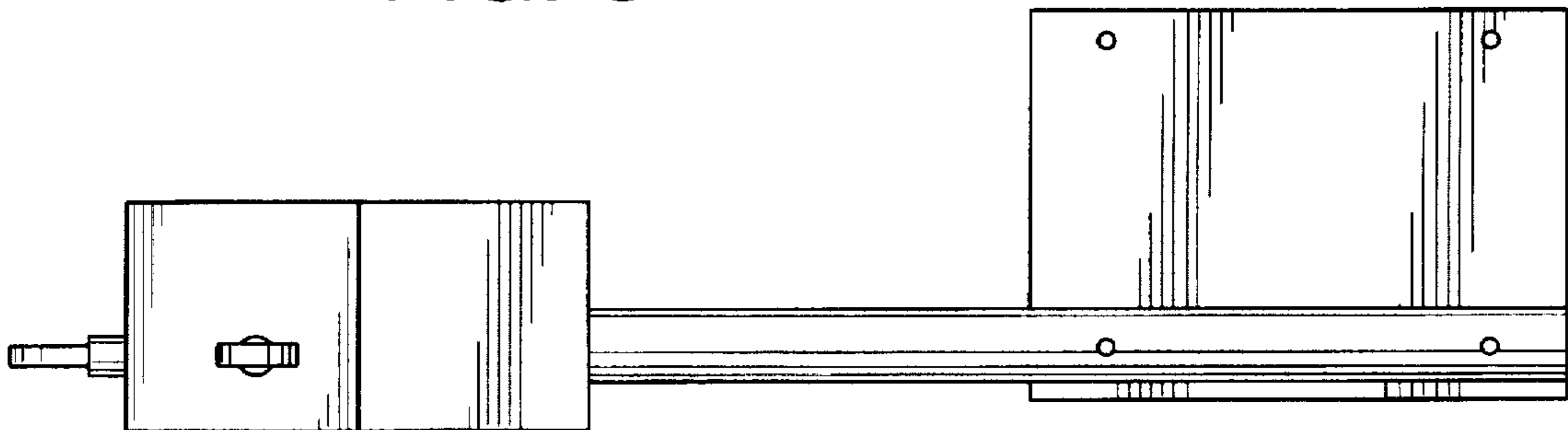


FIG. 3



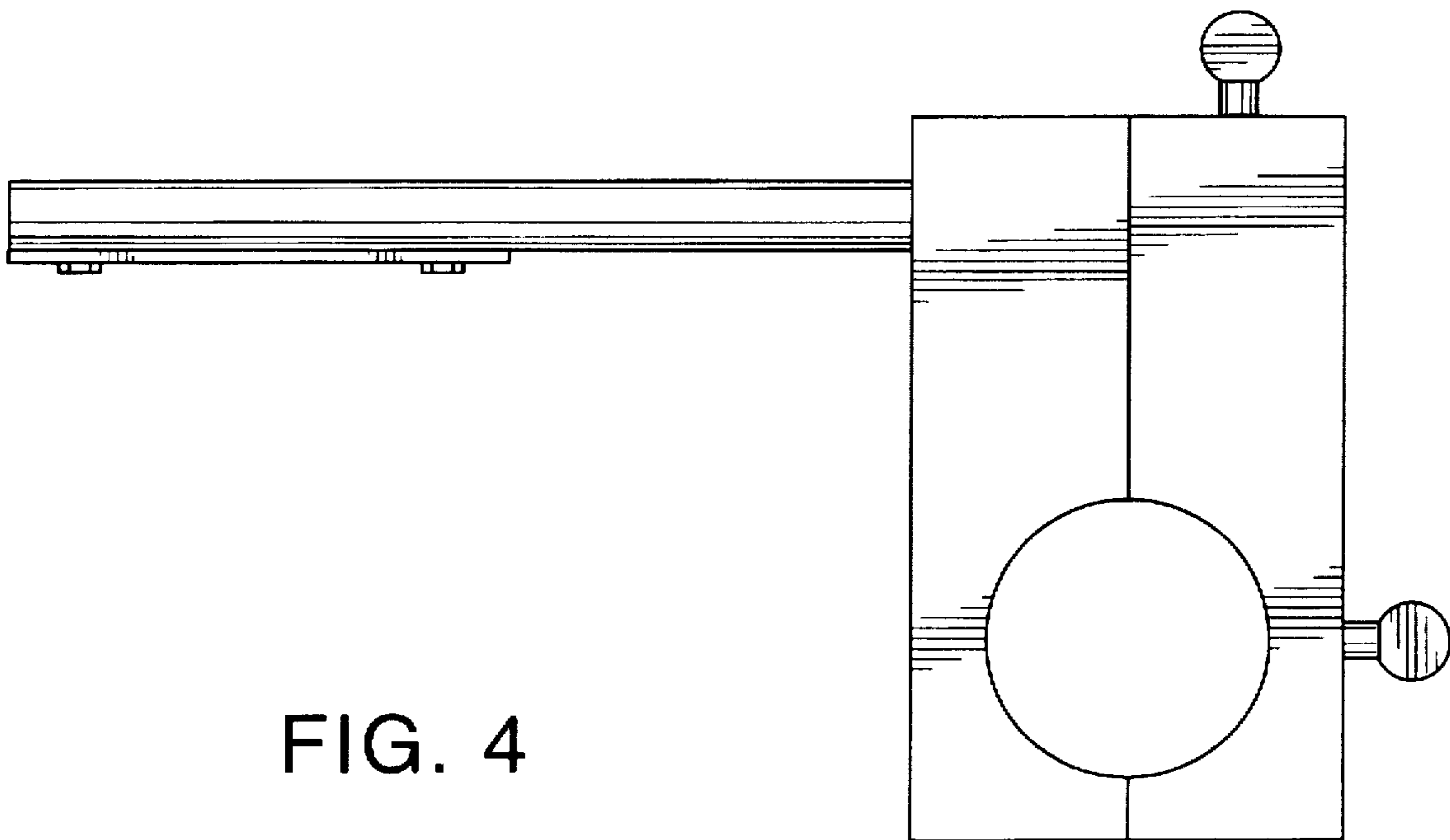


FIG. 4

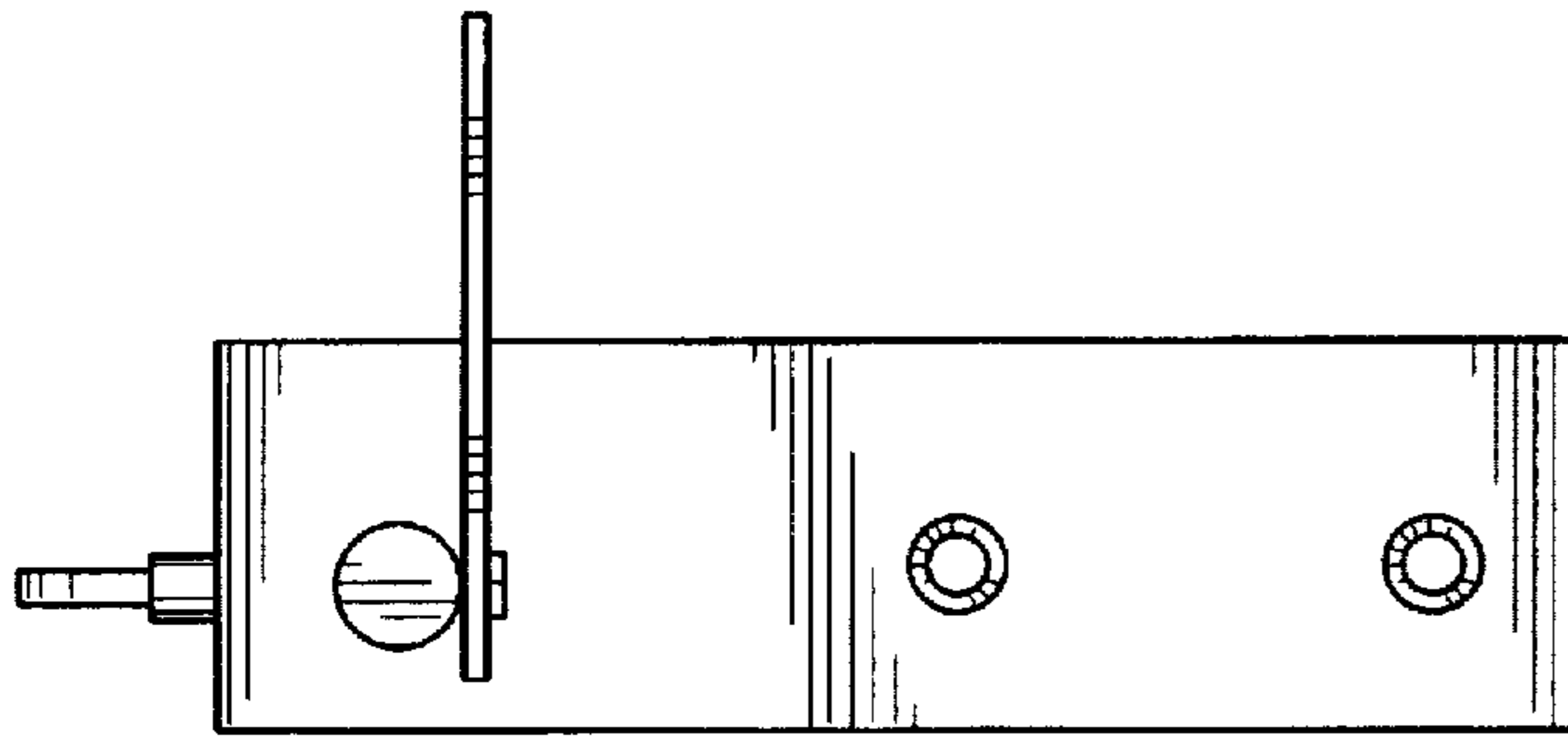


FIG. 5

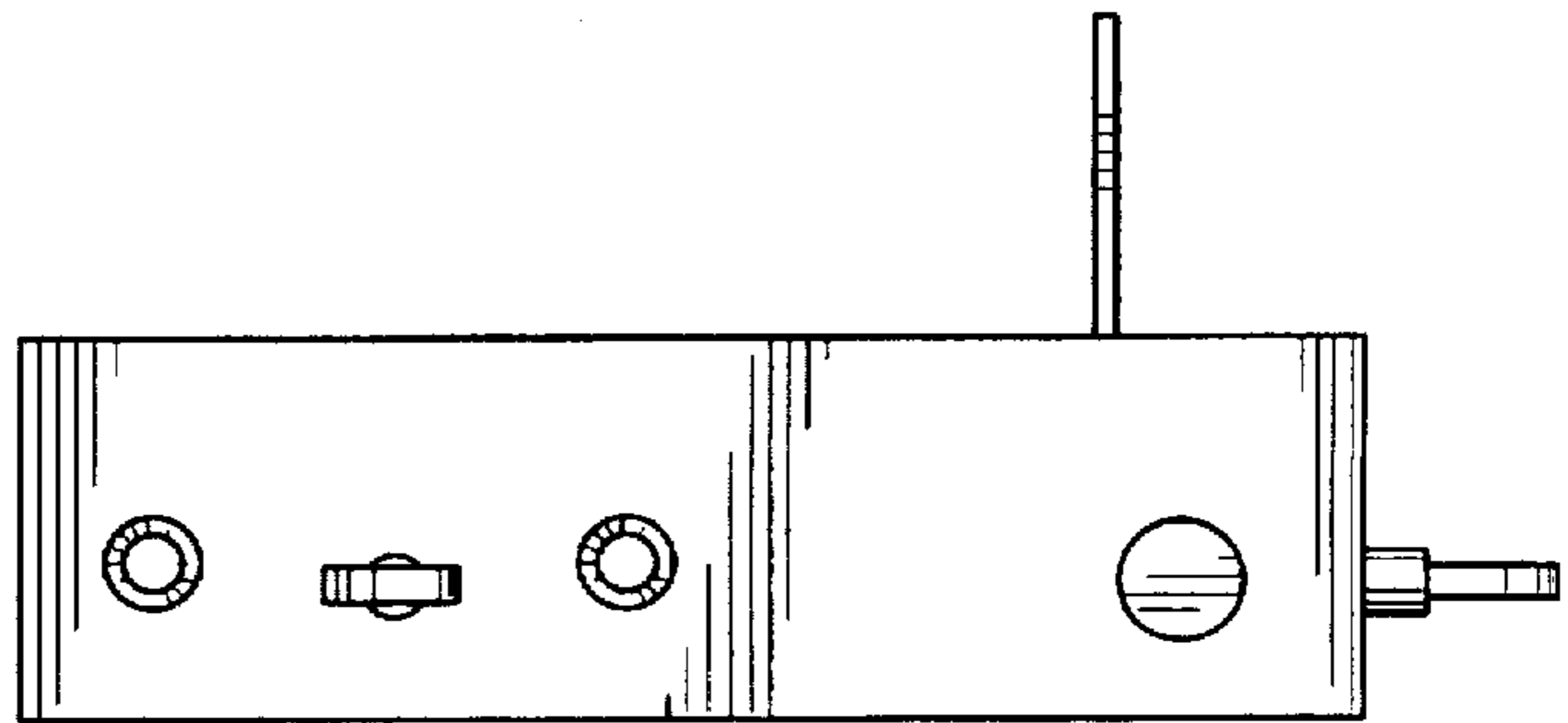


FIG. 6