



US00D390087S

United States Patent [19]
Ebbersten

[11] **Patent Number:** **Des. 390,087**
[45] **Date of Patent:** ****Feb. 3, 1998**

[54] **DOOR HANDLE**

[76] **Inventor:** **Veronica Ebbersten**, Eketorpsvägen 11,
18261 Djursholm, Sweden

[**] **Term:** **14 Years**

[21] **Appl. No.:** **60,314**

[22] **Filed:** **Sep. 26, 1996**

[30] **Foreign Application Priority Data**

Apr. 2, 1996 [CH] Switzerland 96-0756

[51] **LOC (6) Cl.** **08-06**

[52] **U.S. Cl.** **D8/308**

[58] **Field of Search** D8/307, 308; 16/110 R,
16/111 R

[56] **References Cited**

U.S. PATENT DOCUMENTS

D. 60,576 3/1922 Schlink D8/308
D. 299,109 12/1988 Jans D8/308

OTHER PUBLICATIONS

Paul Associates Cat; Nov. 18, 1985; p. 48; door levers 440,
551, 670, 690, 549.

Auburn Brass brochure; Sep. 29, 1984; front cover, door
lever.

Primary Examiner—B. J. Bullock

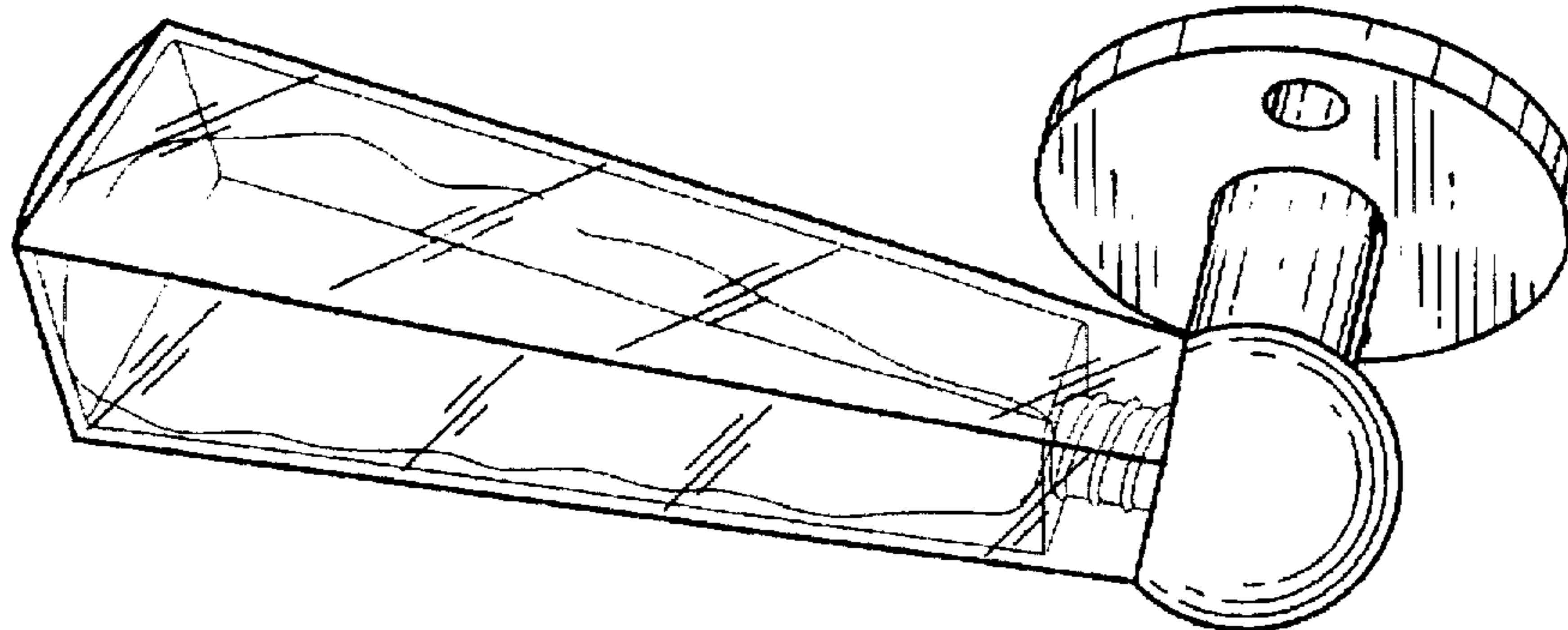
[57] **CLAIM**

The ornamental design for a door handle, as shown and
described.

DESCRIPTION

FIG. 1 is a perspective view of a door handle showing my
new design, showing fluid within the handle;
FIG. 2 is a front elevational view thereof;
FIG. 3 is perspective view from the opposite direction;
FIG. 4 is an end elevational view taken from the left of
FIG. 2;
FIG. 5 is a bottom plan view thereof; and,
FIG. 6 is an end elevational view taken from the right of
FIG. 2.

1 Claim, 2 Drawing Sheets



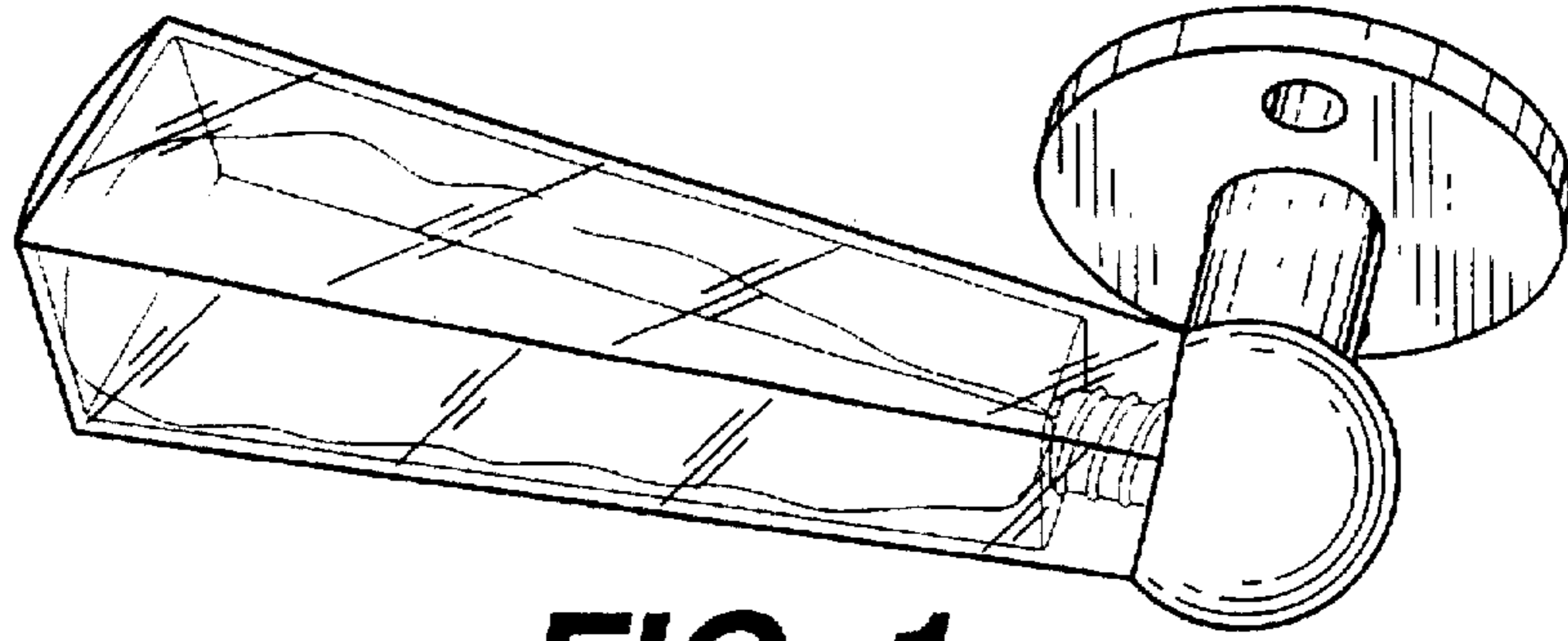


FIG. 1



FIG. 2

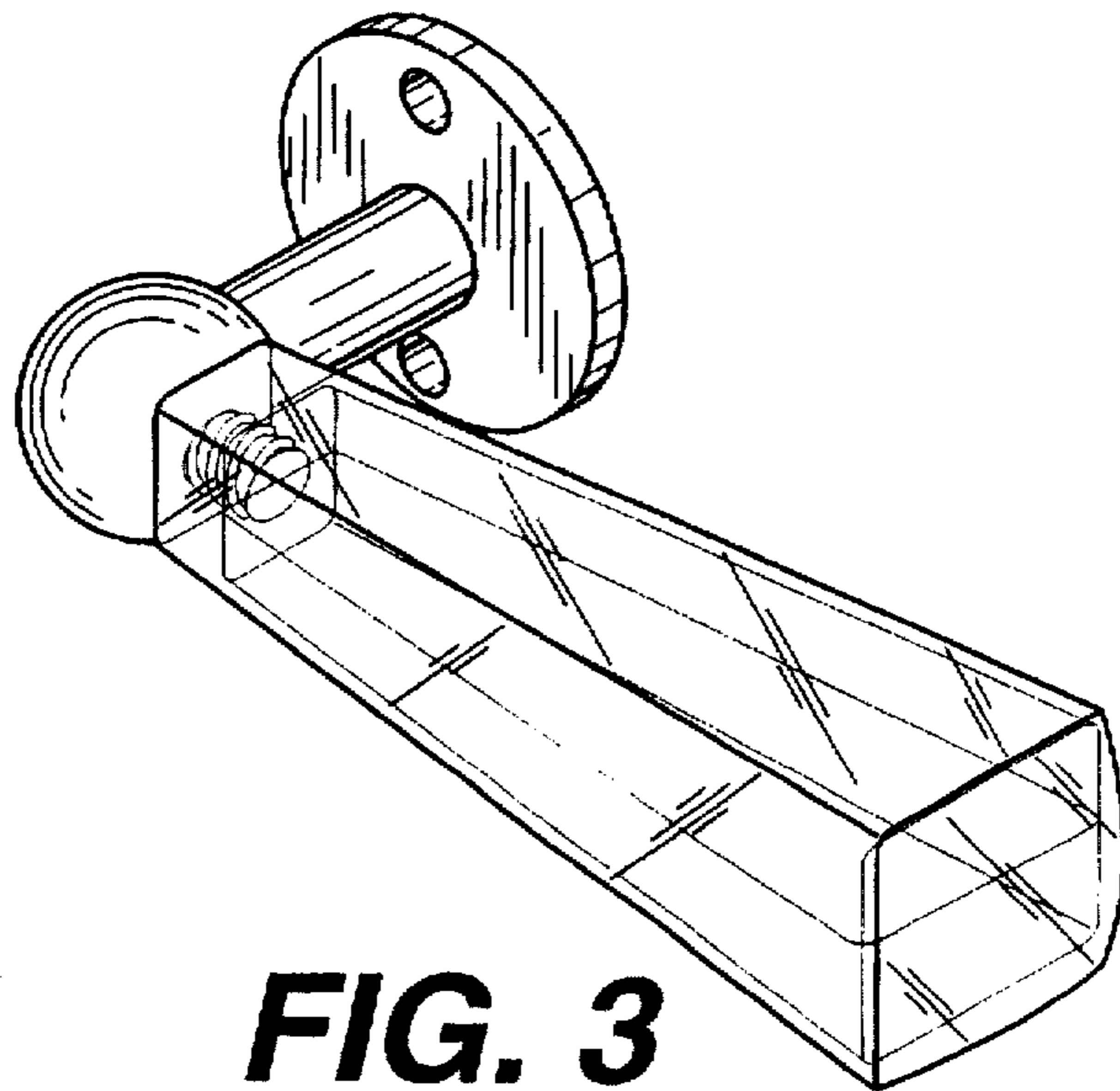


FIG. 3

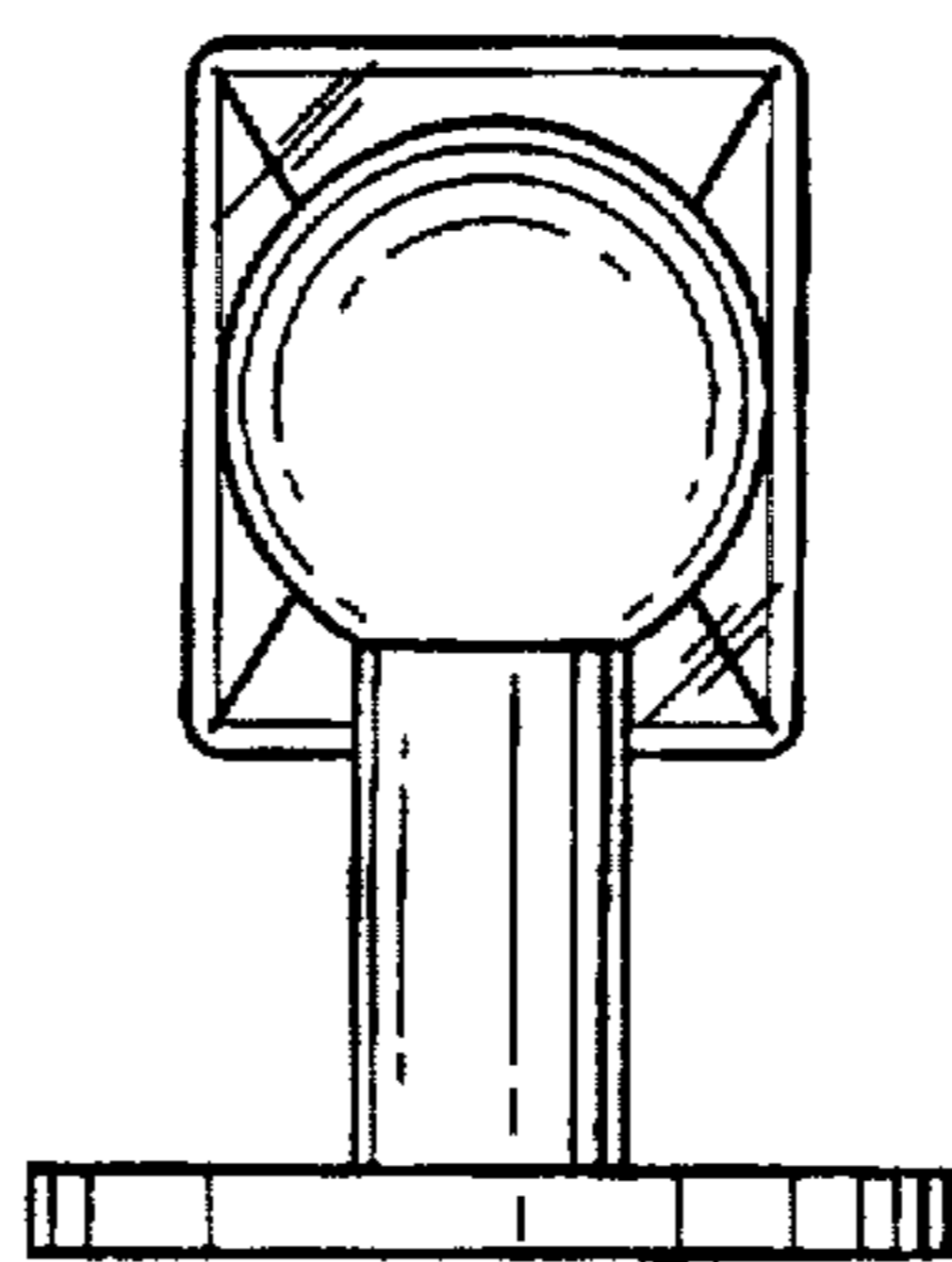


FIG. 4

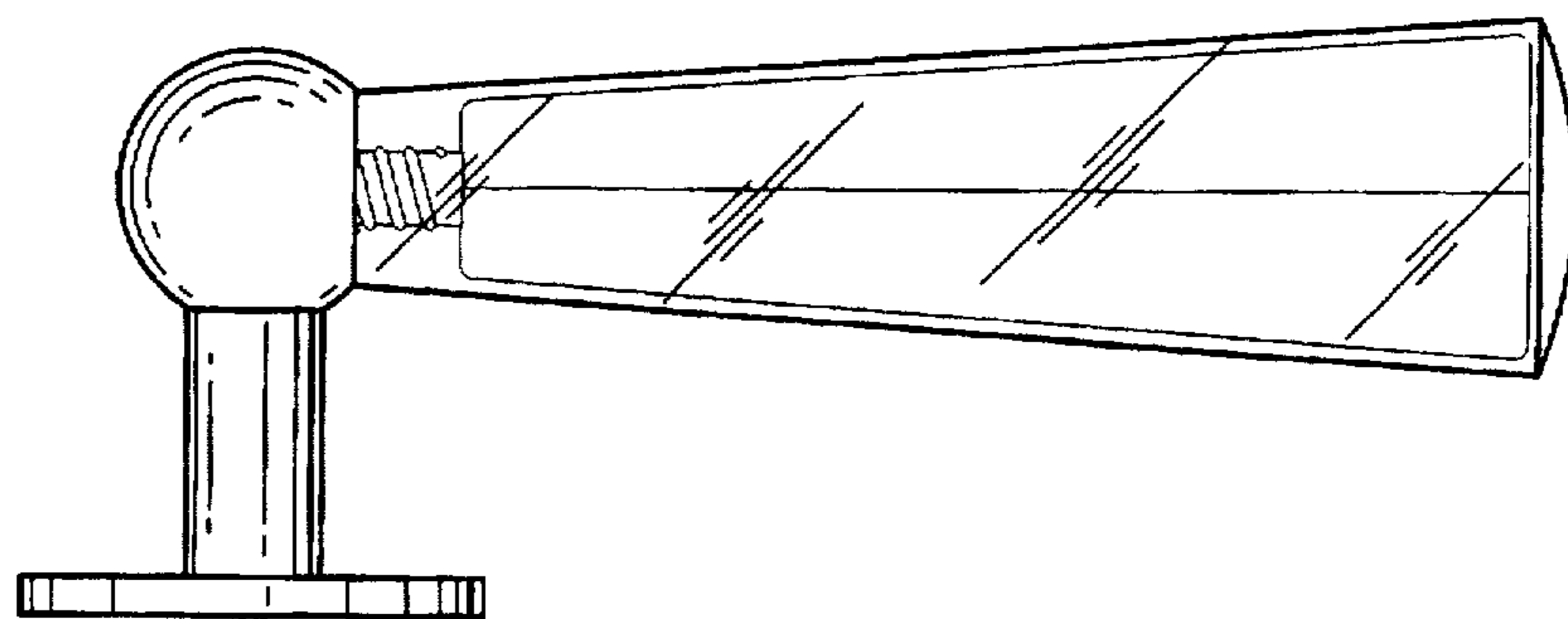


FIG. 5

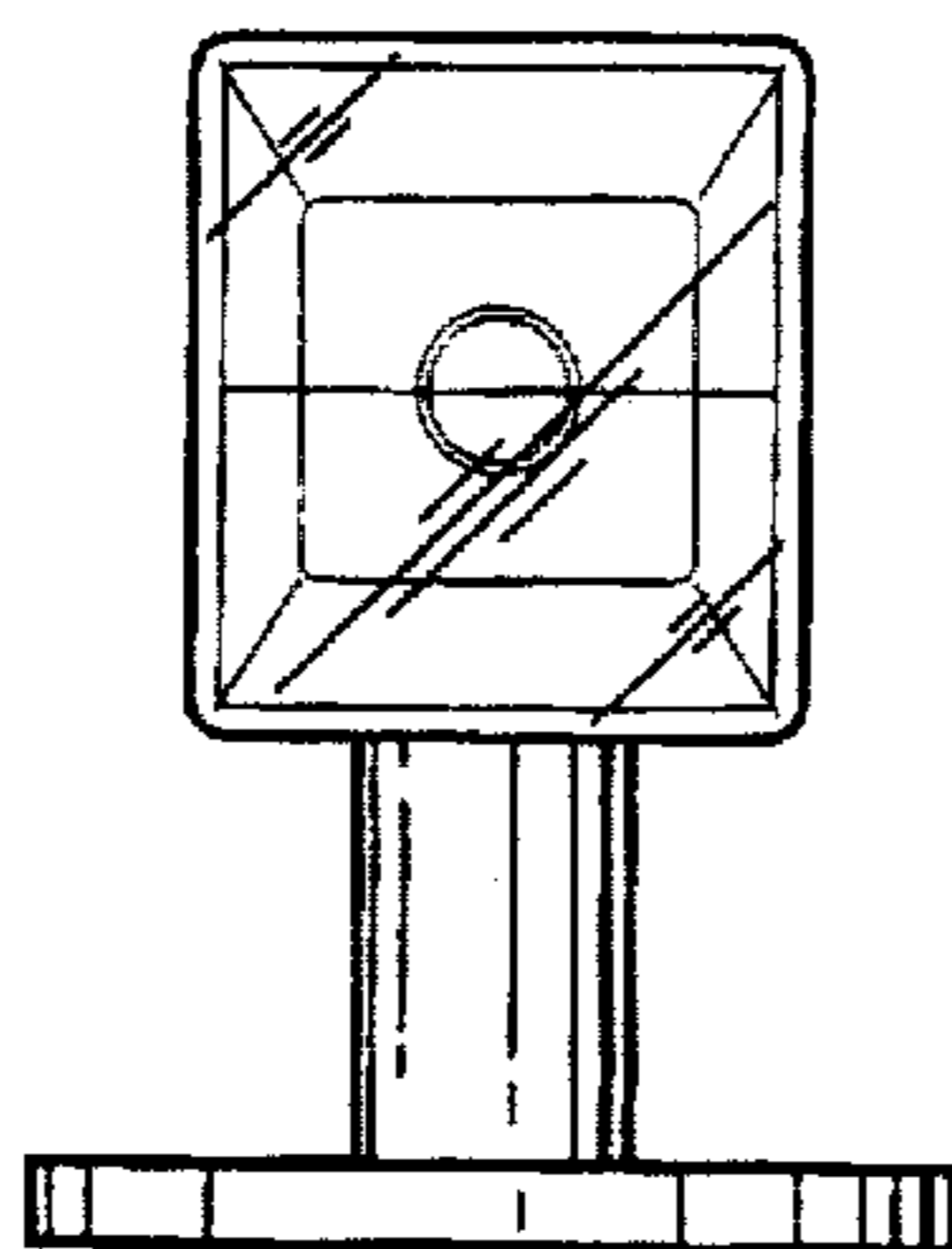


FIG. 6