



US00D390084S

United States Patent [19]

[11] Patent Number: **Des. 390,084**

McCabe, Jr.

[45] Date of Patent: ****Feb. 3, 1998**

[54] **HAND HELD SKATE SHARPENER**

[76] Inventor: **Paul J. McCabe, Jr.**, 90 Bryant Rd., Cranston, R.I. 02910

[**] Term: **14 Years**

[21] Appl. No.: **64,696**

[22] Filed: **Jan. 9, 1997**

[51] LOC (6) Cl. **08-03**

[52] U.S. Cl. **D8/62; D8/63; D8/91**

[58] Field of Search **D8/62, 63, 90, D8/91, 92, 93; 76/82, 83, 88; 451/45, 557, 558**

[56] **References Cited**

U.S. PATENT DOCUMENTS

D. 170,935	11/1953	Palma, Jr. et al.	D8/63
D. 175,067	7/1955	Ernest	D8/63
D. 269,940	8/1983	Hirosawa	D8/93
D. 363,867	11/1995	Harrison et al.	D8/63
4,172,343	10/1979	Sakcriska	451/45
4,722,152	2/1988	Ek et al.	451/45
4,756,125	7/1988	Kadnar	451/45
5,189,845	3/1993	Courchesne	451/557

Primary Examiner—Philip S. Hyder

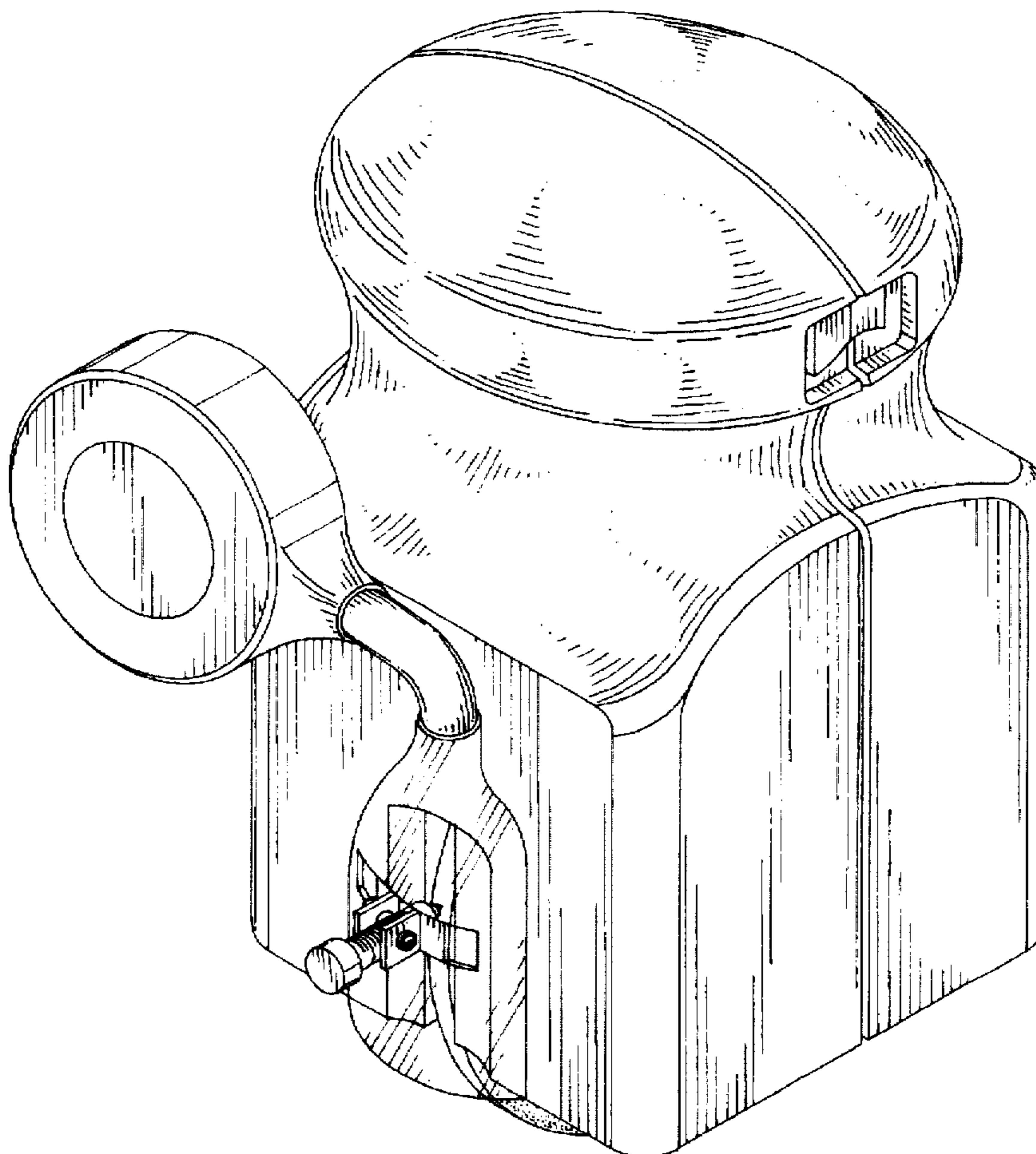
[57] **CLAIM**

The ornamental design for a hand held skate sharpener, as shown and described.

DESCRIPTION

FIG. 1 is a perspective view of a hand held skate sharpener, showing my new design;
 FIG. 2 is a front elevational view thereof;
 FIG. 3 is a rear elevational view thereof;
 FIG. 4 is a right side elevational view thereof;
 FIG. 5 is a left side elevational view thereof;
 FIG. 6 is a top plan view thereof;
 FIG. 7 is a bottom plan view thereof;
 FIG. 8 is a top, front and right side perspective view thereof, wherein the broken line showings of the skate and hands are for illustrative purposes only and form no part of the claimed design;
 FIG. 9 is a top, front and left side perspective view thereof, wherein the broken line showings of the skate and hands are for illustrative purposes only and form no part of the claimed design; and,
 FIG. 10 is a front elevational view thereof, wherein the broken line showings of the skate and table top are for illustrative purposes only and form no part of the claimed design.

1 Claim, 7 Drawing Sheets



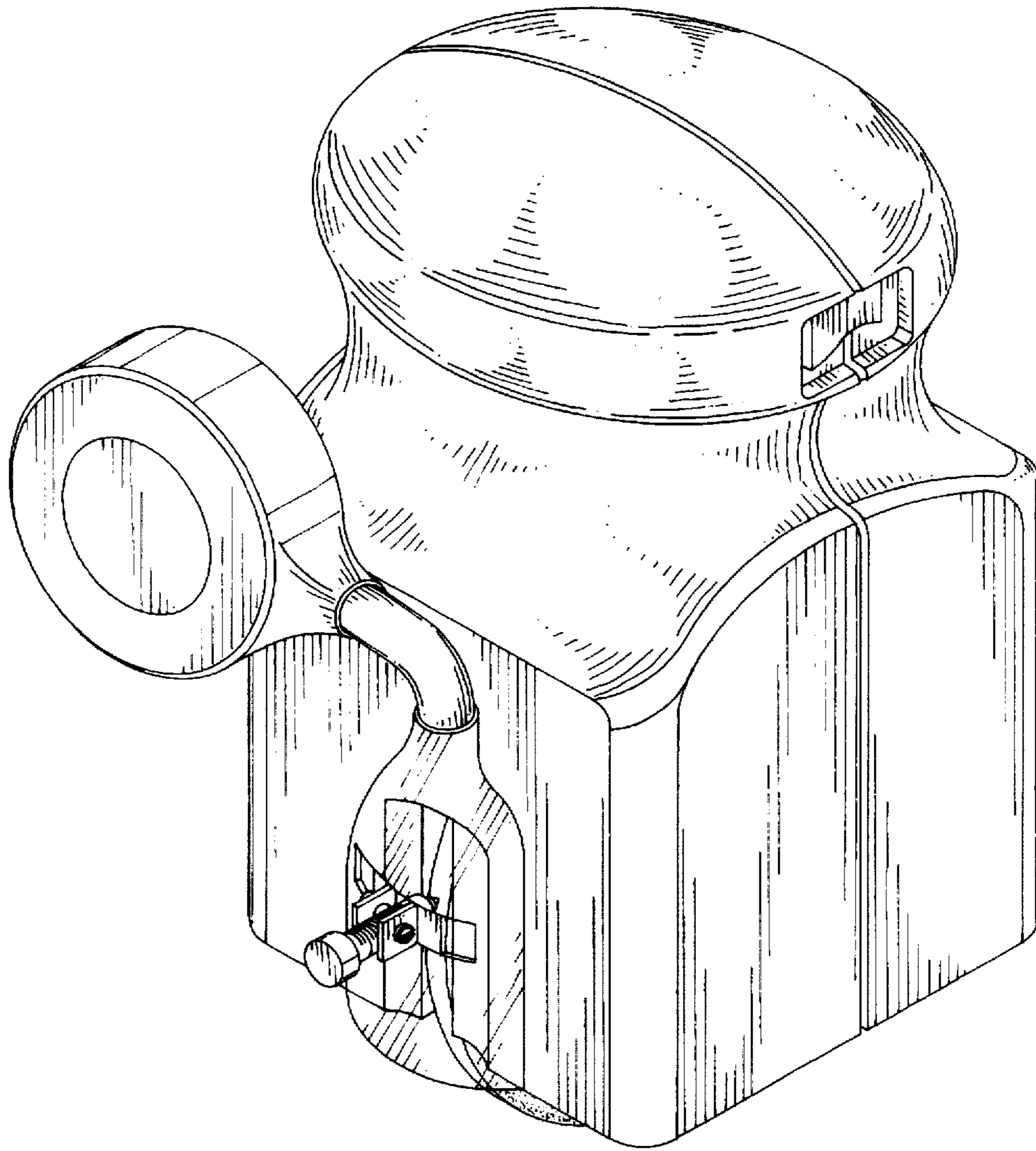


FIG. 1

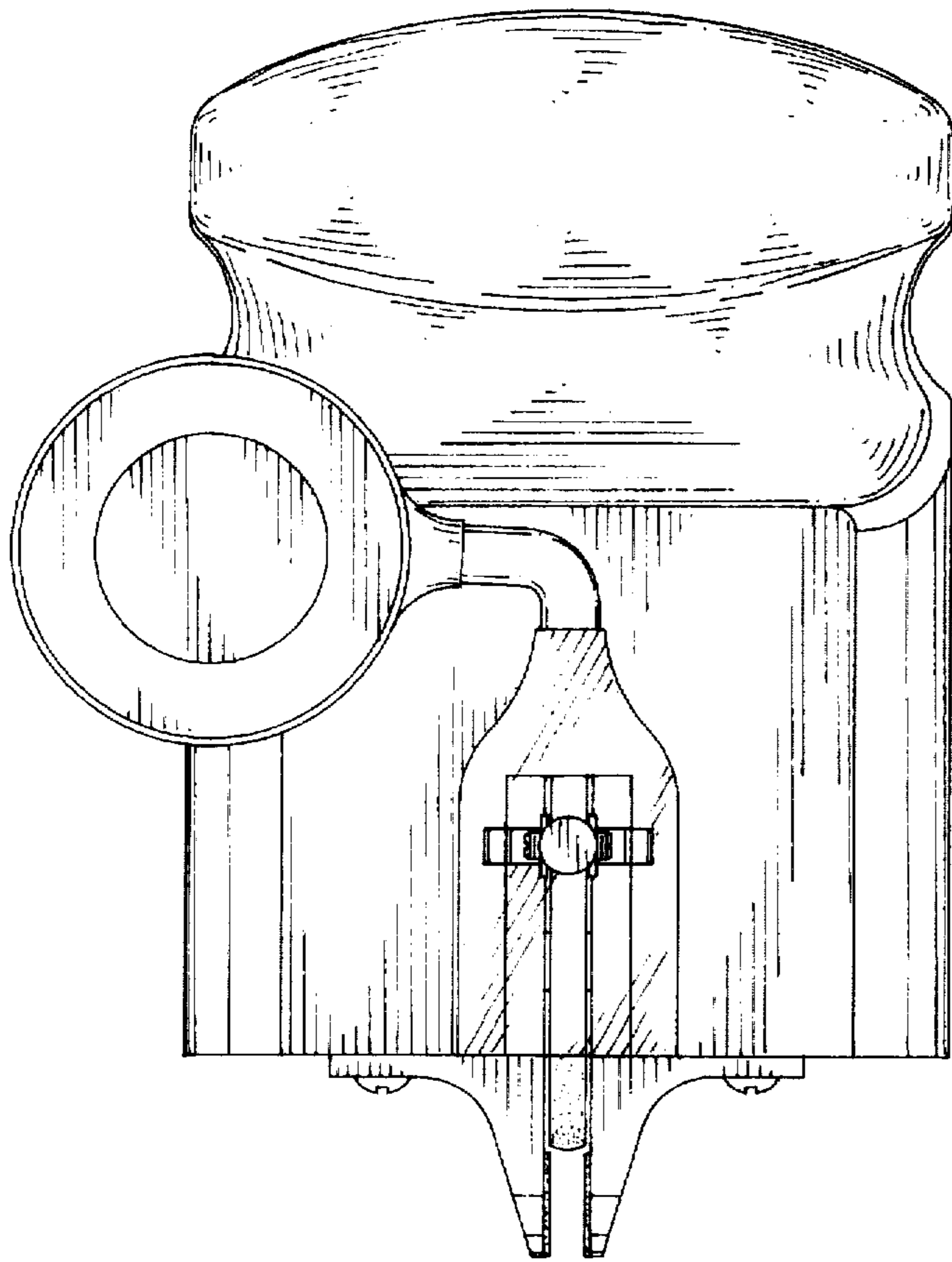


FIG. 2

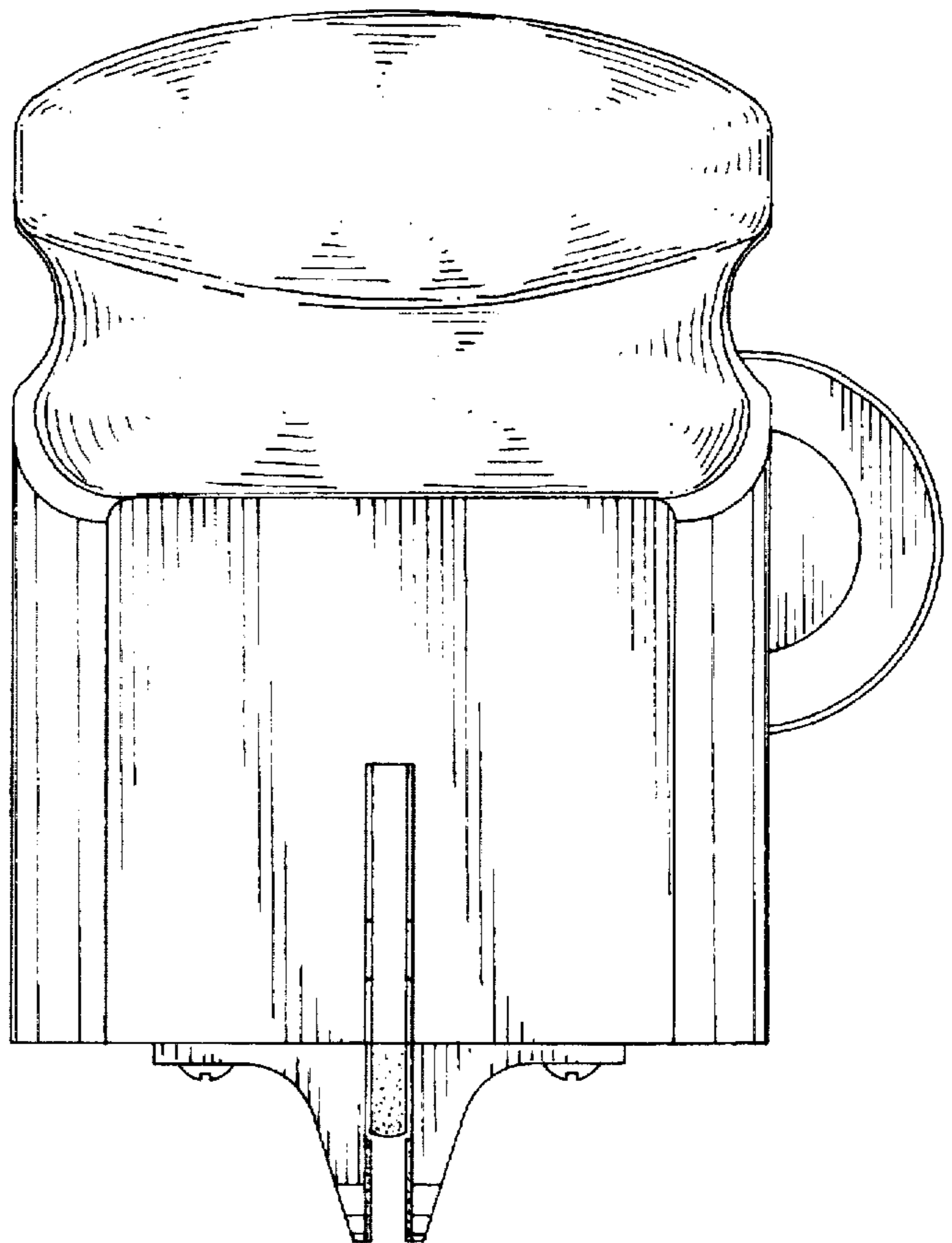


FIG. 3

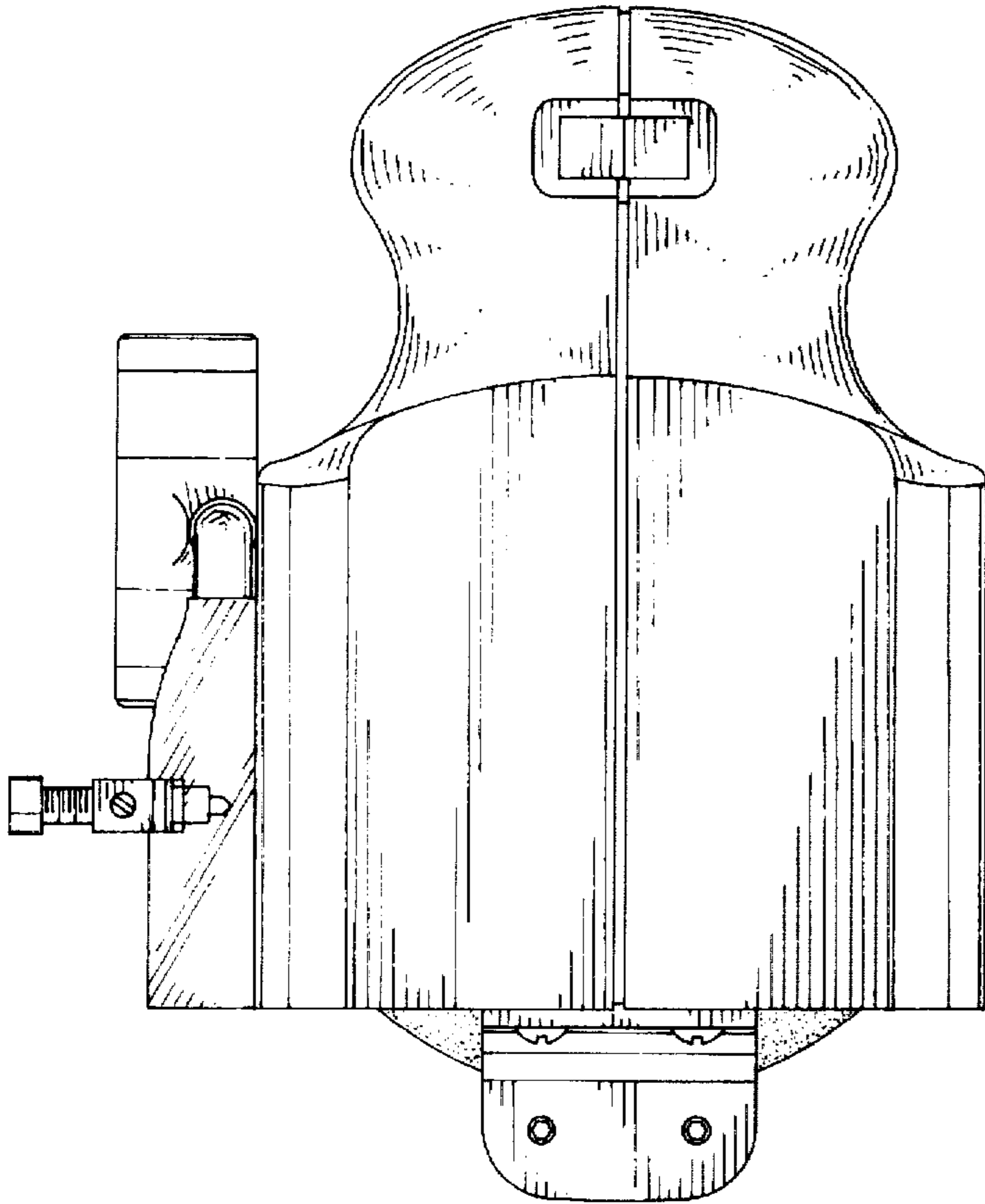


FIG. 4

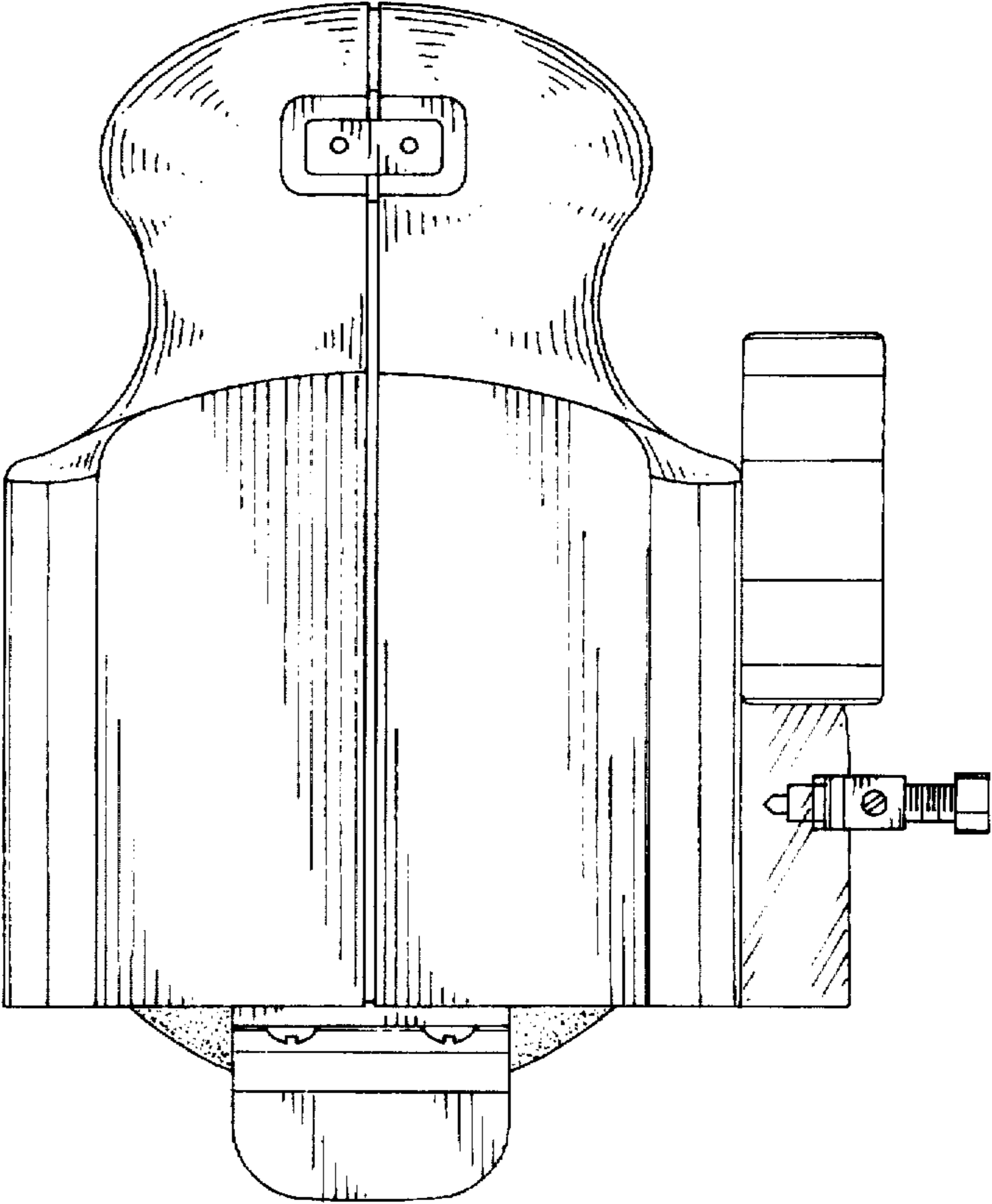


FIG. 5

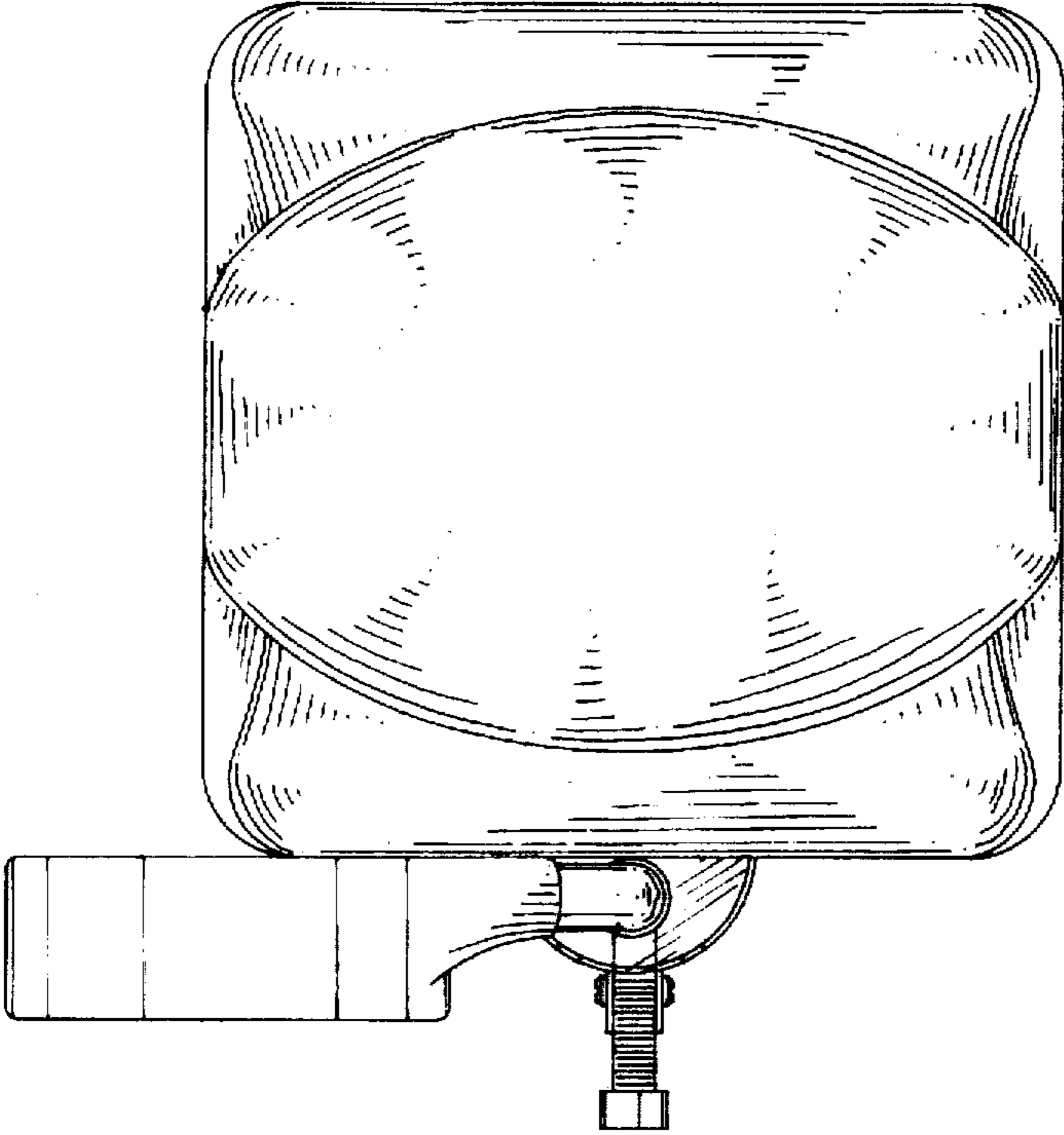


FIG. 6

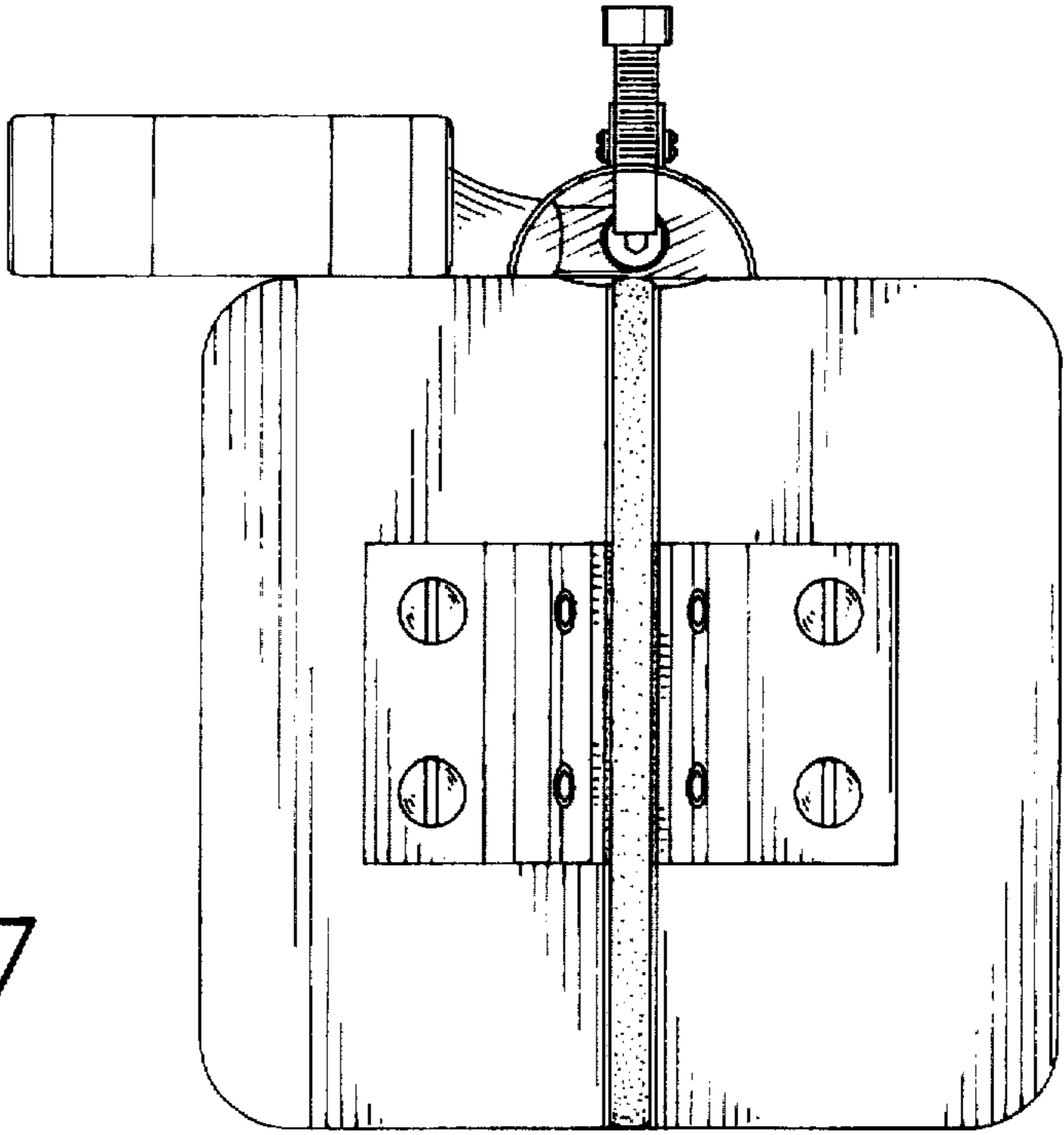


FIG. 7

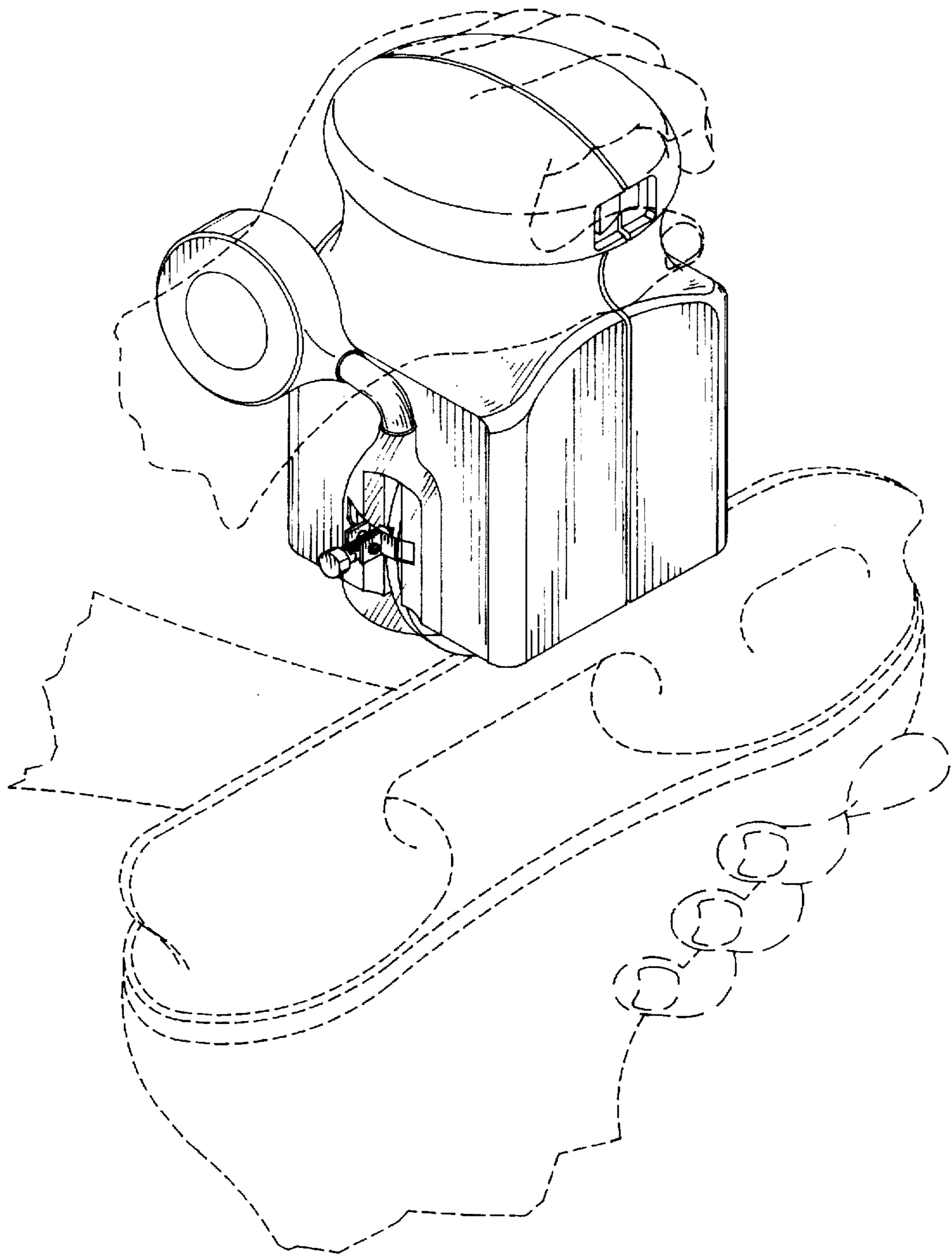


FIG. 8

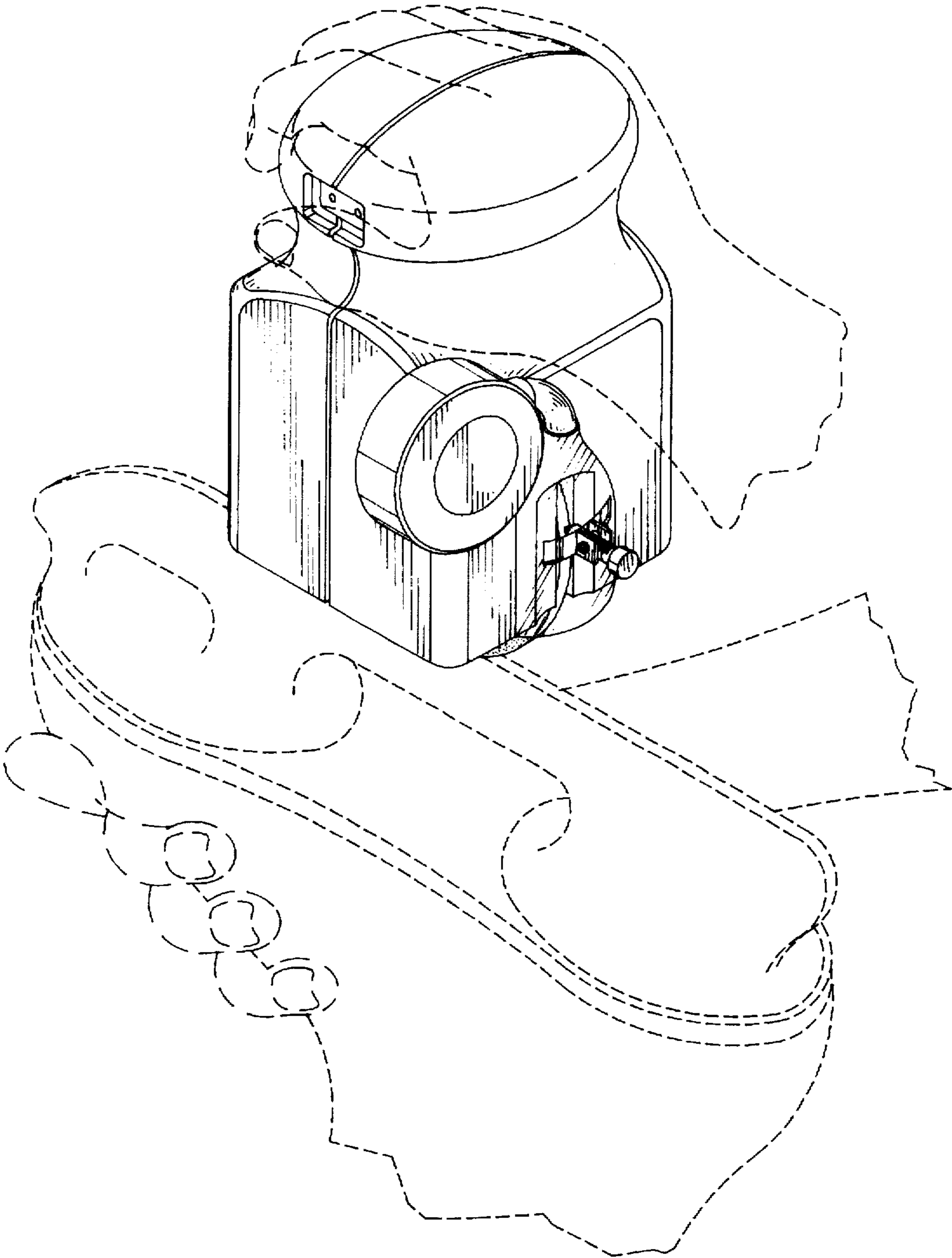


FIG. 9

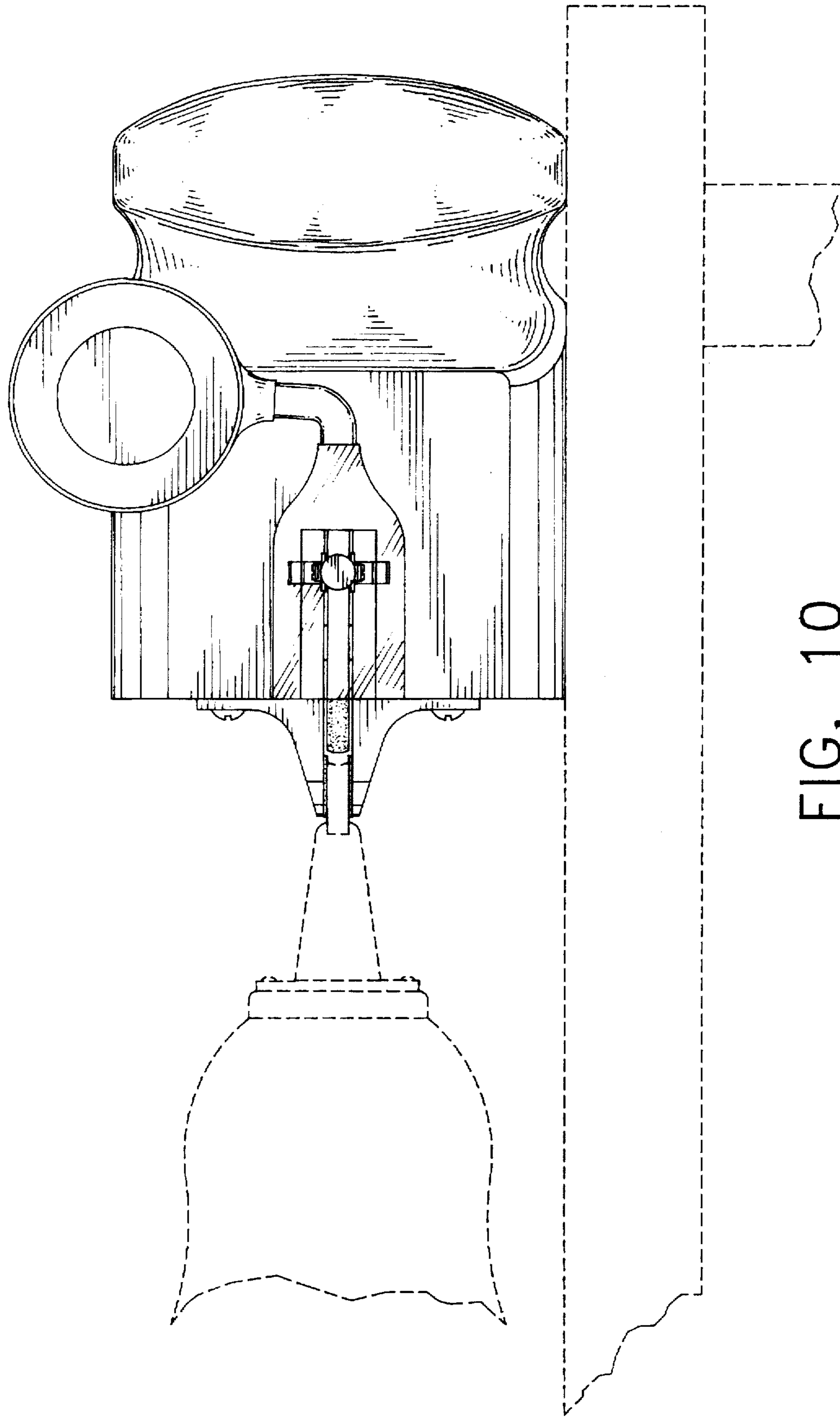


FIG. 10