



US00D390082S

# United States Patent [19] Higgs

[11] Patent Number: **Des. 390,082**

[45] Date of Patent: **\*\*Feb. 3, 1998**

[54] **COMBINED HAMMER AND CROWBAR**

[76] Inventor: **James A. Higgs**, 1930 #P Barrymore  
Commons, Fremont, Calif. 94538

[\*\*] Term: **14 Years**

[21] Appl. No.: **63,294**

[22] Filed: **Dec. 4, 1996**

[51] LOC (6) Cl. .... **08-02**

[52] U.S. Cl. .... **D8/81; D8/75**

[58] Field of Search ..... **D8/81, 88, 89,  
D8/75, 76, 77; 7/143; 81/20; 254/26 R**

[56] **References Cited**

**U.S. PATENT DOCUMENTS**

D. 163,385	5/1951	Hawes .....	D8/89
D. 164,705	10/1951	Moses .....	D8/81
D. 225,961	1/1973	Scdoris .....	D8/81
D. 269,496	6/1983	Brown, Jr. ....	D8/81
D. 272,712	2/1984	Allen .....	D8/89
935,459	9/1909	Carr .	
1,241,179	9/1917	White .....	D8/89

1,551,035	8/1925	Kurau .	
1,613,729	1/1927	Shearwood .	
2,087,148	7/1937	Hempy .....	7/143
3,705,430	12/1972	Ziaylek, Jr. .	

**FOREIGN PATENT DOCUMENTS**

634096	2/1928	France .
383891	10/1923	Germany .

*Primary Examiner*—Philip S. Hyder  
*Attorney, Agent, or Firm*—Thomas Schneck

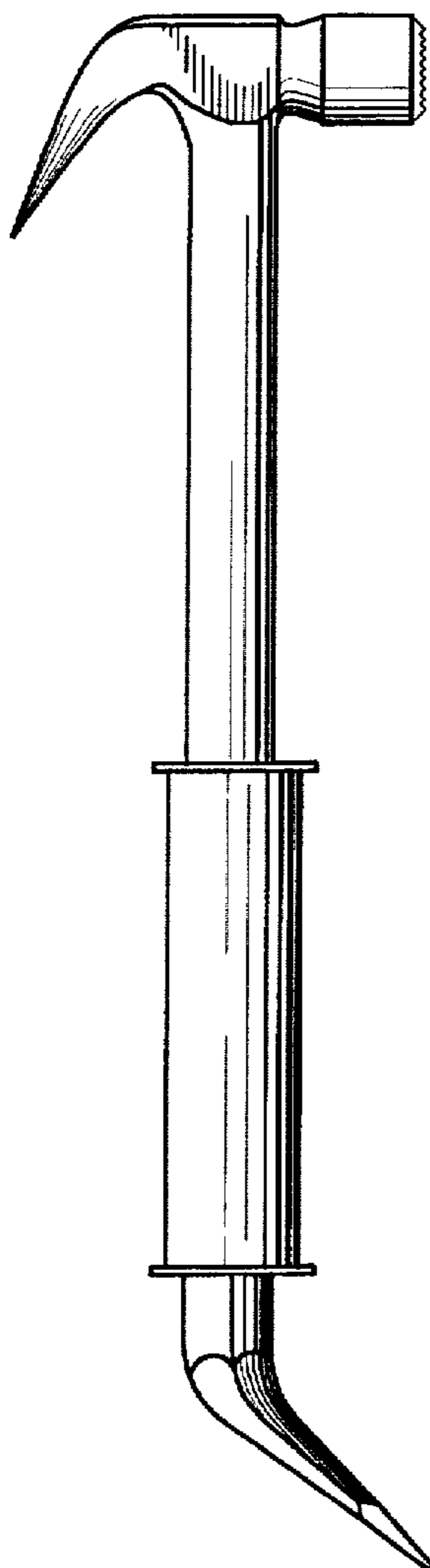
[57] **CLAIM**

The ornamental design for combined hammer and crowbar, as shown.

**DESCRIPTION**

FIG. 1 is a rear view of the present invention;  
FIG. 2 is a left side view of the invention, wherein the right side view is a mirror image of FIG. 2;  
FIG. 3 is a front view of the invention;  
FIG. 4 is a top plan view of the invention; and,  
FIG. 5 is a bottom plan view of the invention.

**1 Claim, 2 Drawing Sheets**



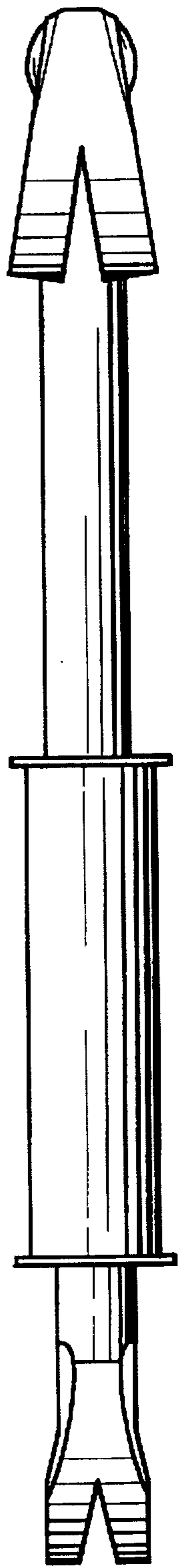


FIG. 1

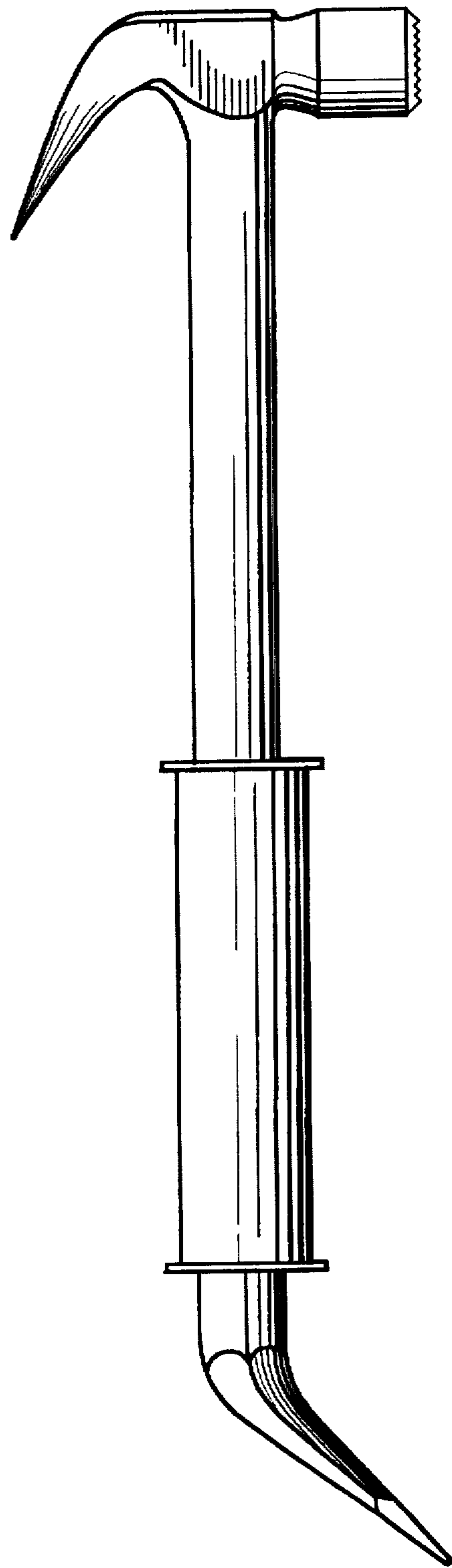


FIG. 2

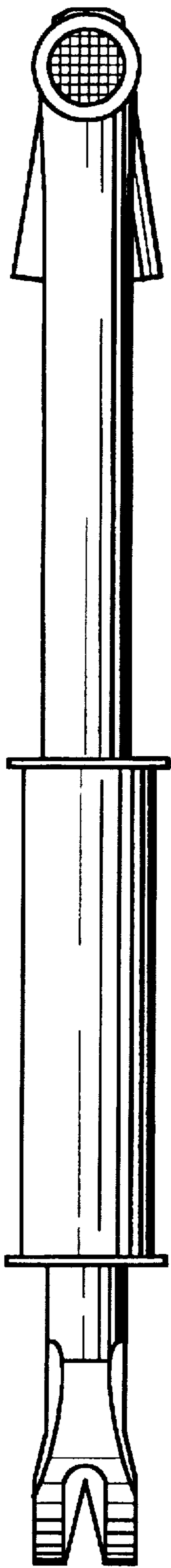


FIG. 3

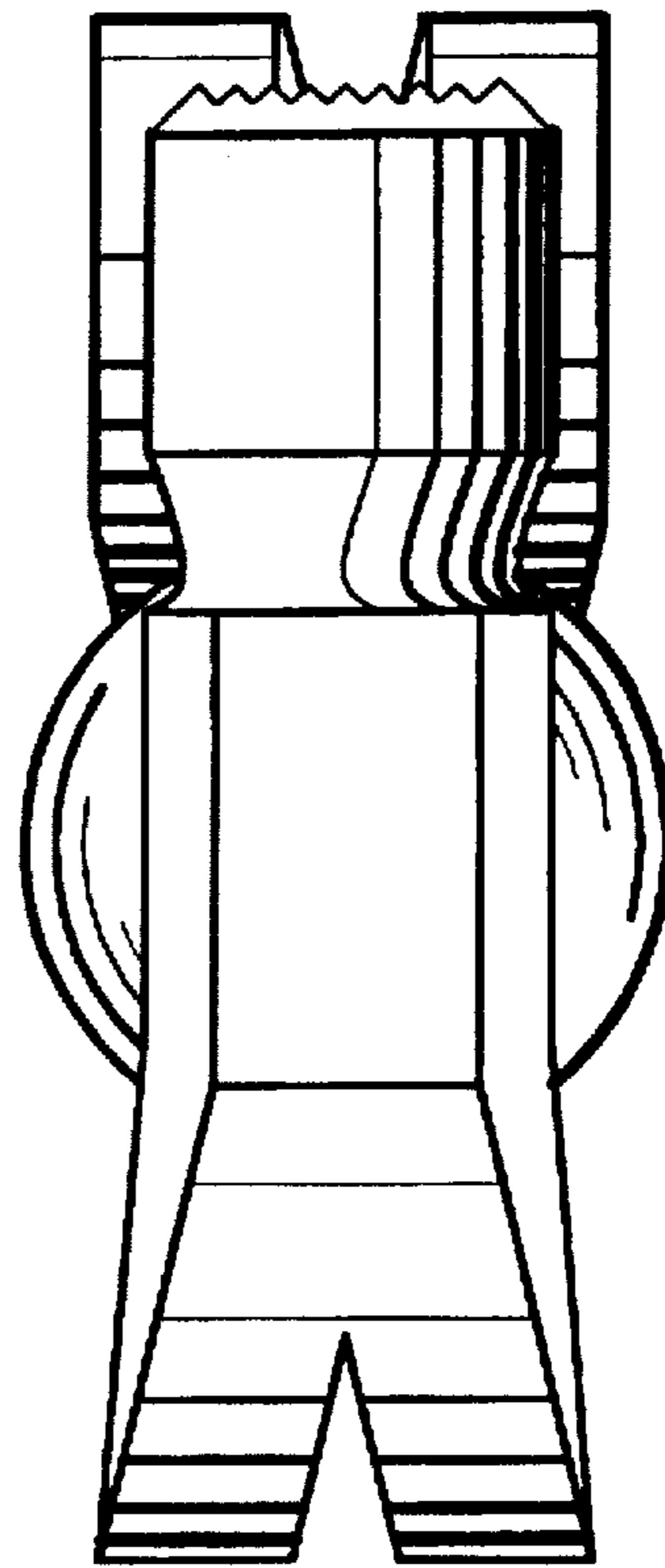


FIG. 4

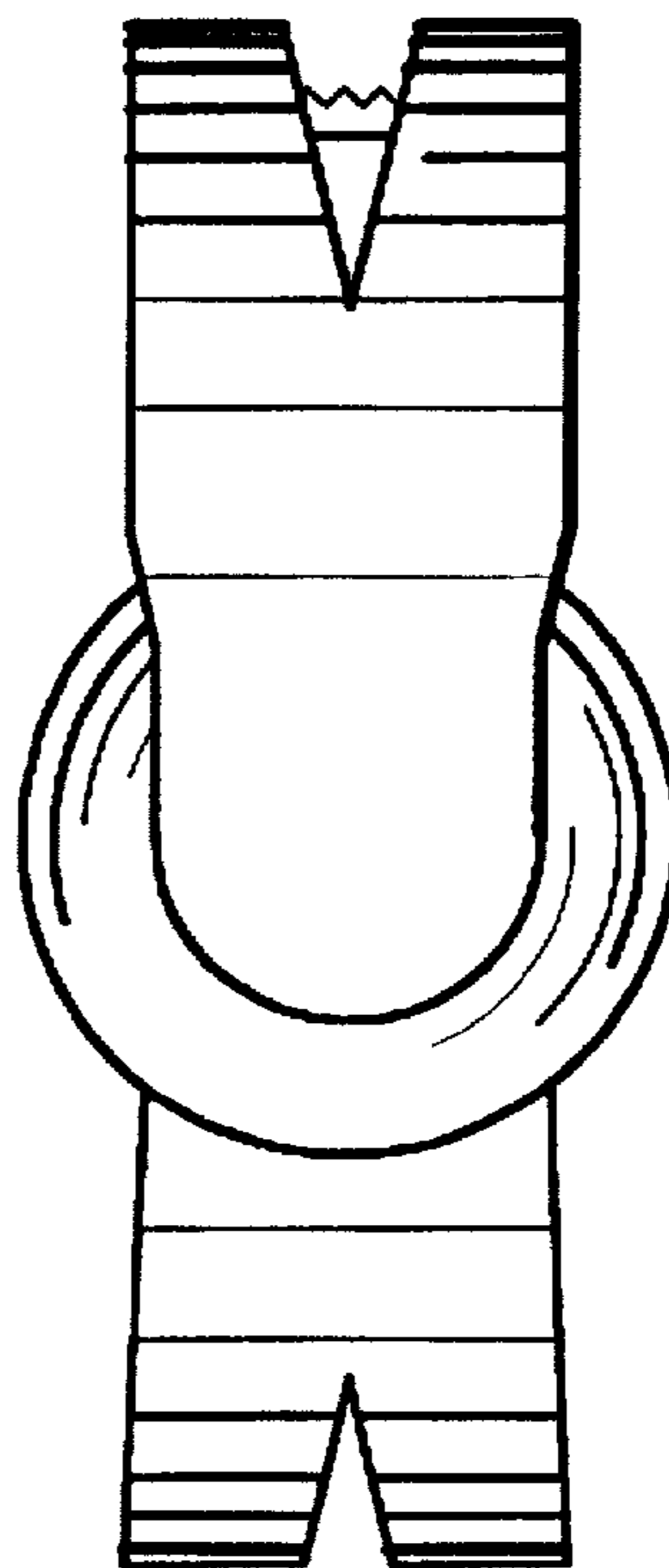


FIG. 5