



US00D390081S

# United States Patent [19]

[11] Patent Number: **Des. 390,081**

Price et al.

[45] Date of Patent: **\*\*Feb. 3, 1998**

## [54] CIRCULAR SAW

[75] Inventors: **Scott D. Price**, Pylesville; **Robert I. Somers**, Reisterstown, both of Md.

[73] Assignee: **Black & Decker Inc.**, Newark, Del.

[\*\*] Term: **14 Years**

[21] Appl. No.: **65,330**

[22] Filed: **Jan. 21, 1997**

### Related U.S. Application Data

[63] Continuation of Ser. No. 55,381, Jun. 5, 1996, abandoned.

[51] LOC (6) CL ..... **08-03**

[52] U.S. Cl. .... **D8/66**

[58] Field of Search ..... **D8/66; 30/375-377, 30/388-391**

### [56] References Cited

#### U.S. PATENT DOCUMENTS

- D. 180,815 8/1957 Bentley .
- D. 277,118 1/1985 Klawitter .
- D. 305,721 1/1990 Fushiya et al. .
- D. 326,399 5/1992 Fushiya et al. .
- D. 329,363 9/1992 Sasaki et al. .
- D. 334,523 4/1993 Hoshino et al. .
- D. 335,433 5/1993 Schulz et al. .
- D. 348,193 6/1994 Sasaki et al. .
- D. 363,656 10/1995 Gierke .
- D. 370,162 5/1996 Brazell ..... **D8/66**
- 4,982,501 1/1991 Sauerwein et al. .... **30/377 X**
- 5,440,815 8/1995 Inkster .
- 5,466,183 11/1995 Kim et al. .

#### FOREIGN PATENT DOCUMENTS

- 9402873 8/1994 Germany .
- 54201 1/1993 Japan .
- 5318403 12/1993 Japan .

## OTHER PUBLICATIONS

- Consumer News by Ralph Treves, Jan. 1958.
- Black & Decker Consumer Products Catalog, Copyright 1978, Front Cover.
- Black & Decker Power Tools and Accessories Catalog, Copyright 1994, pp. 69-71, Front and Rear Covers.
- Black & Decker Power Tools Catalog, Copyright 1993, p. 7, Front and Rear Covers.
- DeWalt Power Tools & Accessories Catalog, Copyright 1995, pp. 46 and 47, Front and Rear Covers.
- Sears Power & Hand Tools 1993-1994 Catalog, Item "C", p. 102.

*Primary Examiner*—Antoine Duval Davis

*Attorney, Agent, or Firm*—Bruce S. Shapiro; Dennis A. Dearing; John D. Del Ponti

## [57] CLAIM

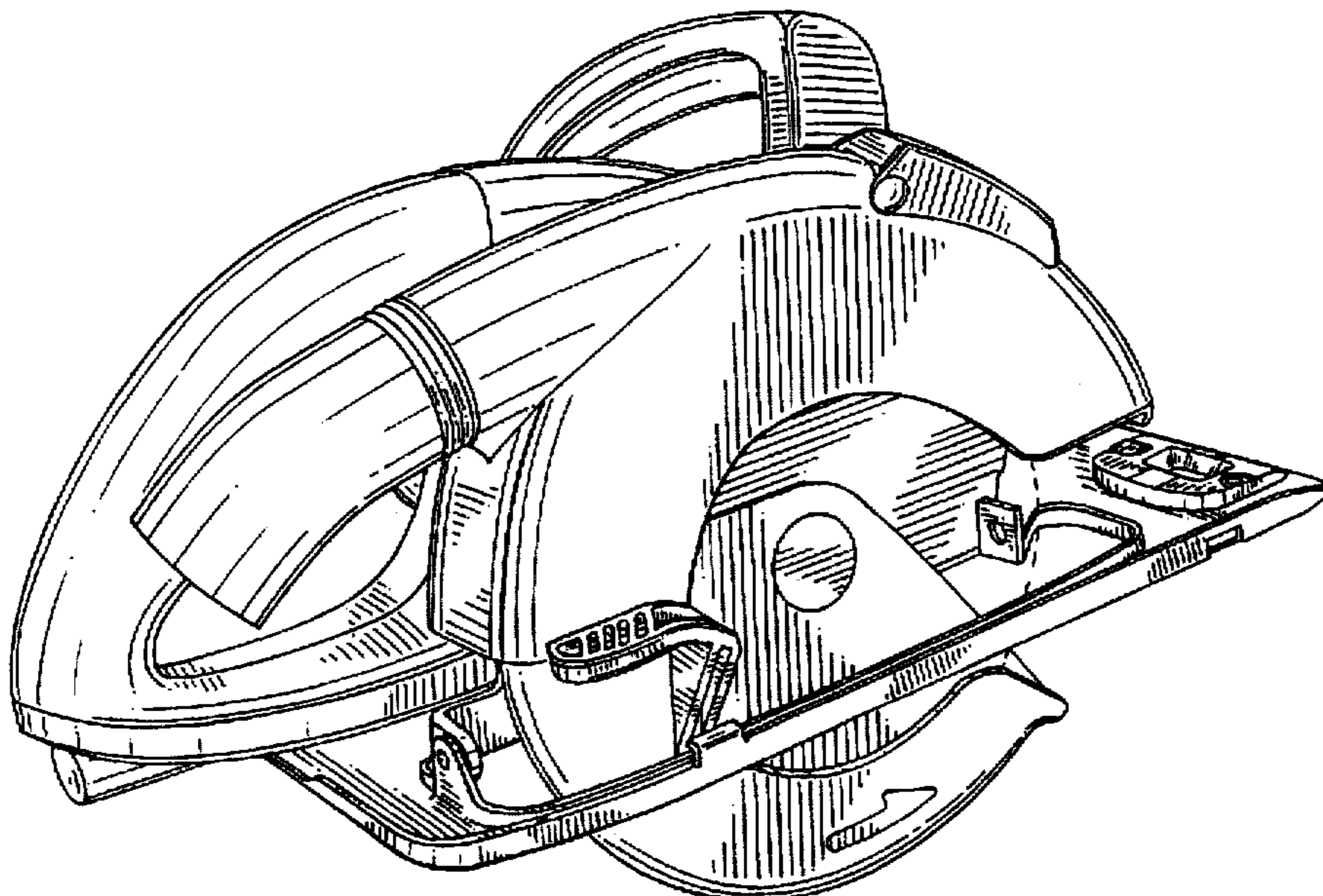
The ornamental design for a circular saw, as shown and described.

## DESCRIPTION

FIG. 1 is a right side elevational view of a circular saw showing a first embodiment of our new design; FIG. 2 is a left side elevational view of the first embodiment; FIG. 3 is a front elevational view of the first embodiment; FIG. 4 is a rear elevational view of the first embodiment; FIG. 5 is a top plan view of the first embodiment; FIG. 6 is a bottom plan view of the first embodiment; FIG. 7 is a right side perspective view from the rear of the first embodiment; FIG. 8 is a left side perspective view from the front of the first embodiment; and, FIG. 9 is a bottom plan view of a second embodiment of the circular saw, all remaining views being identical to those shown in FIGS. 1-5 and 7-8.

The broken line showing is for illustrative purposes only and forms no part of the claimed design.

**1 Claim, 9 Drawing Sheets**



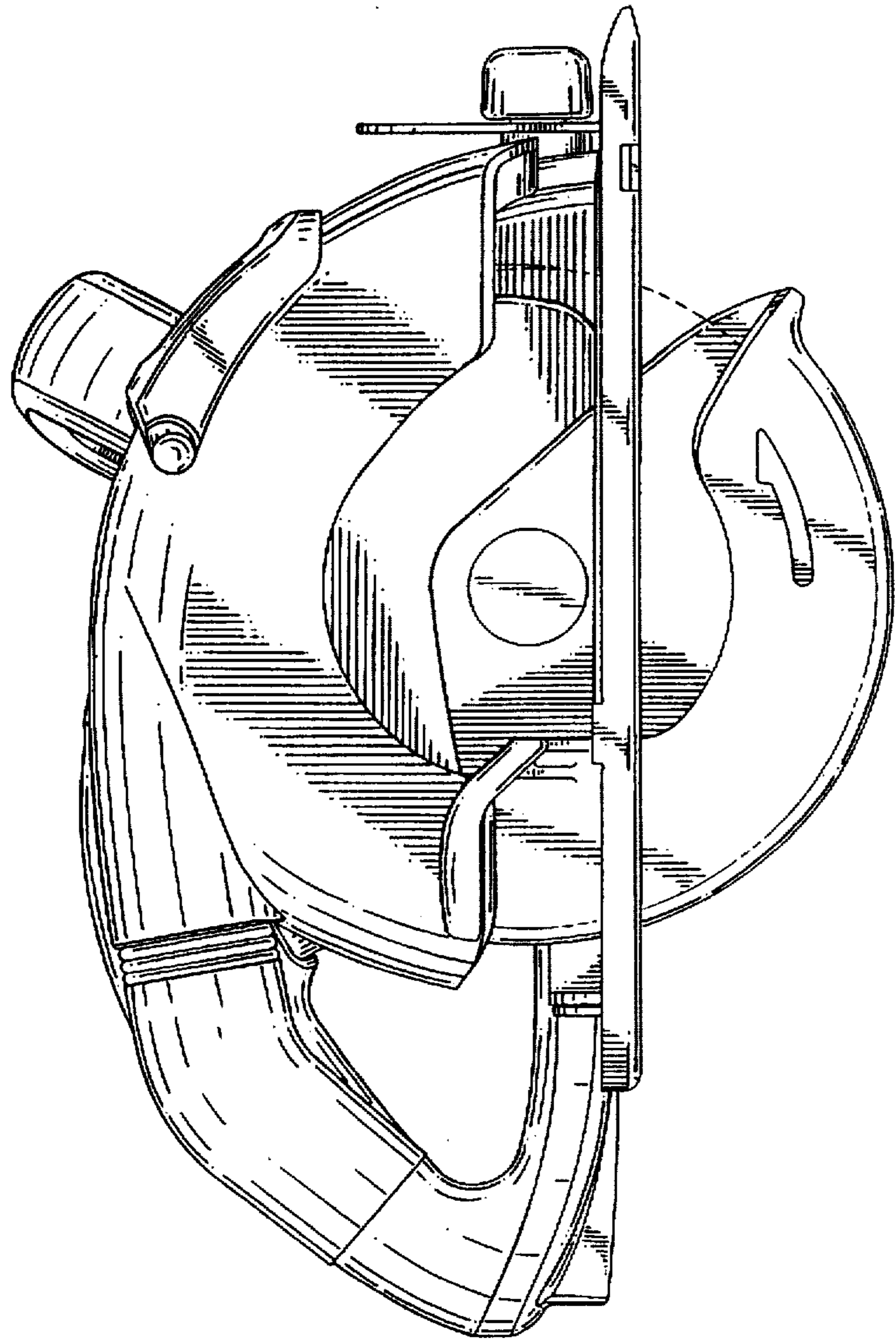


FIG. 1

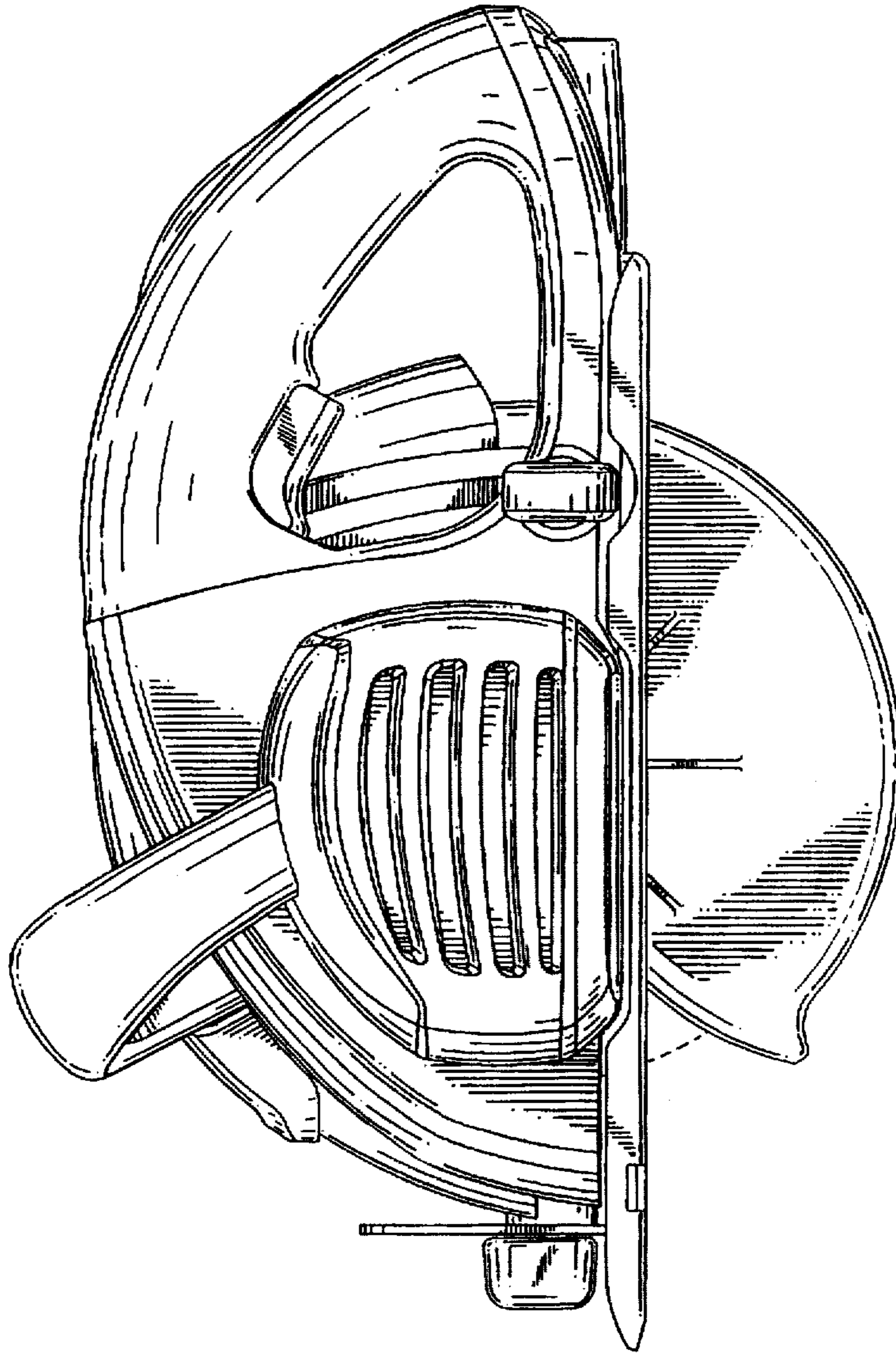


FIG. 2

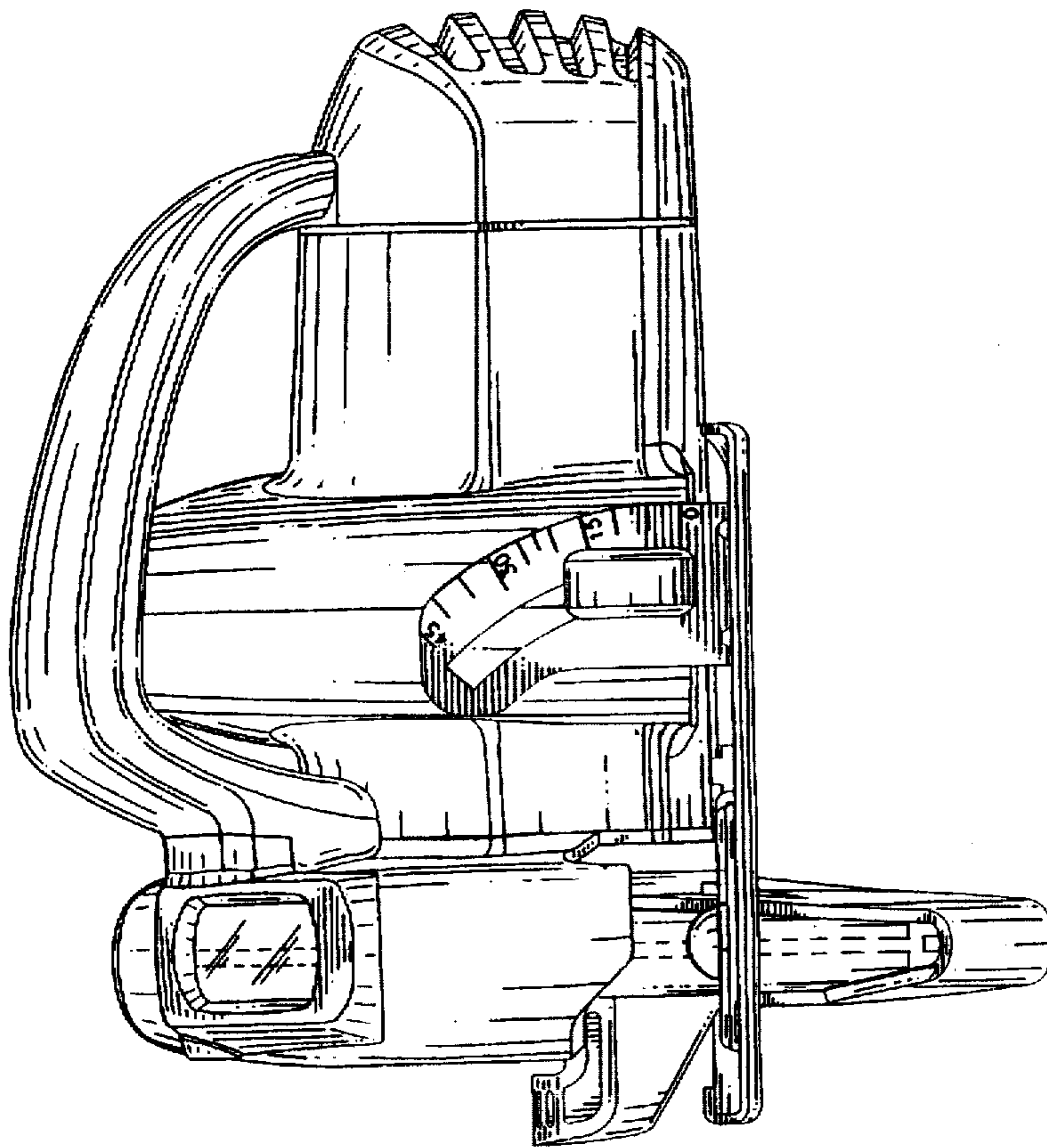


FIG. 3

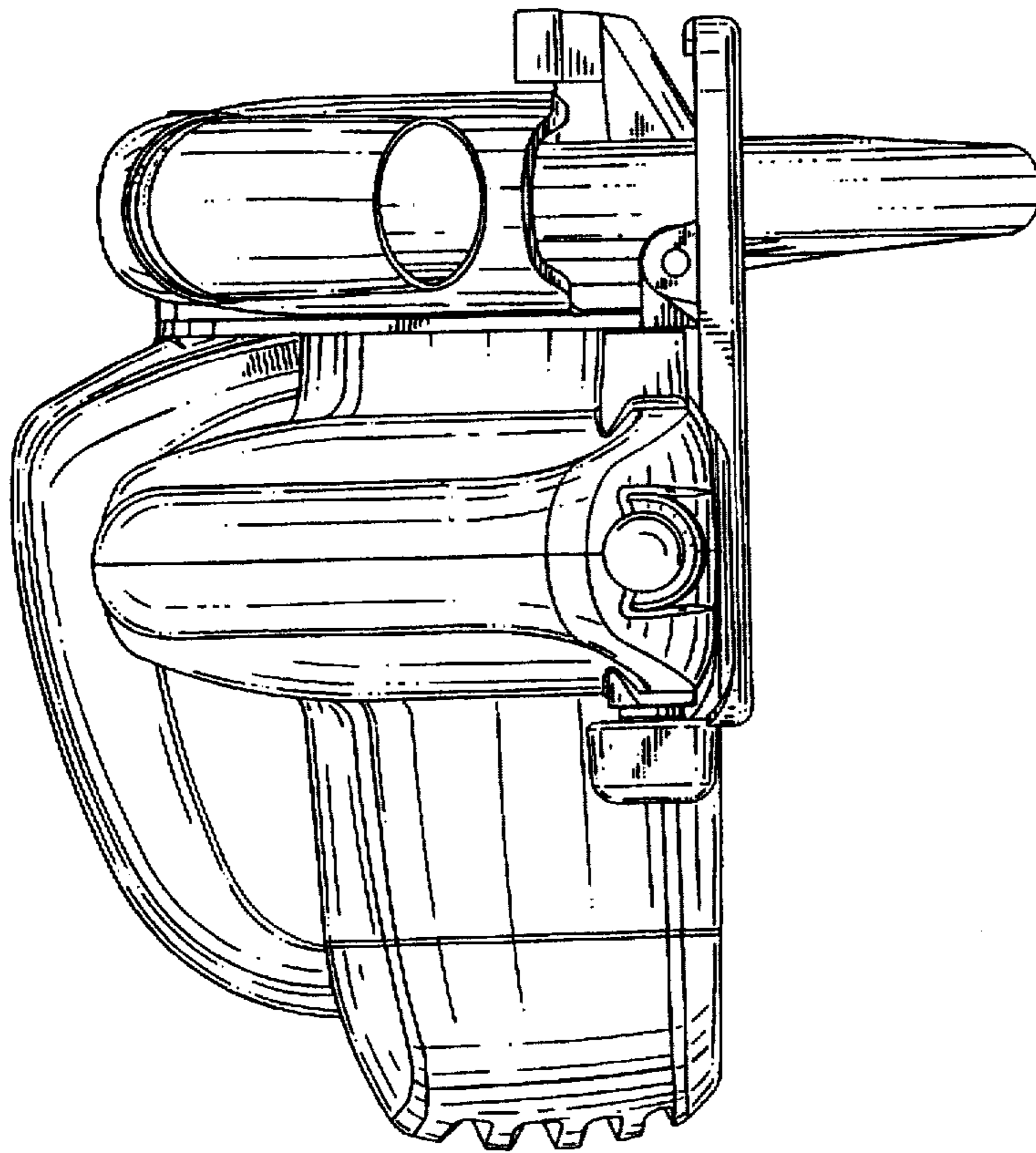


FIG. 4

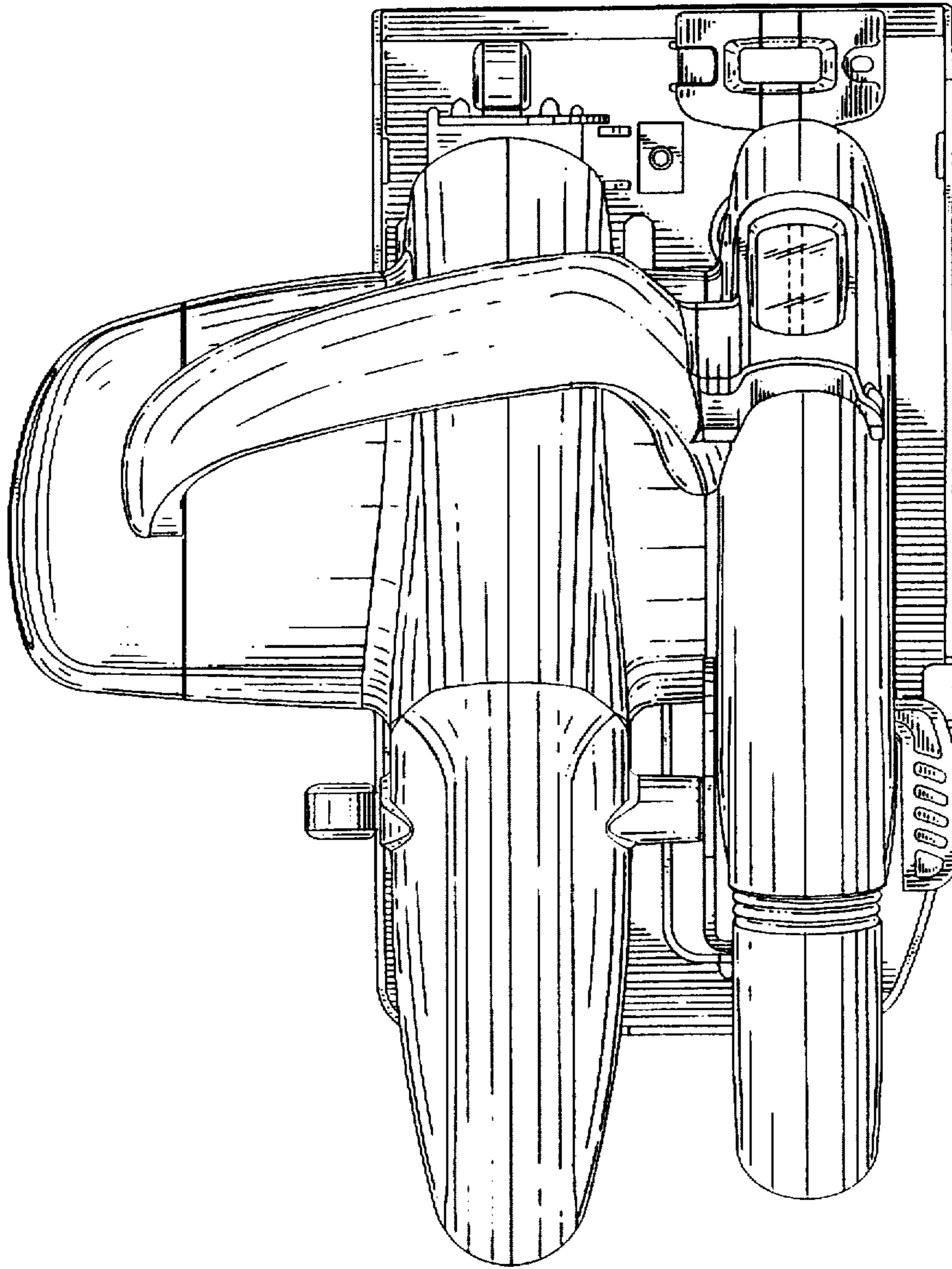


FIG. 5

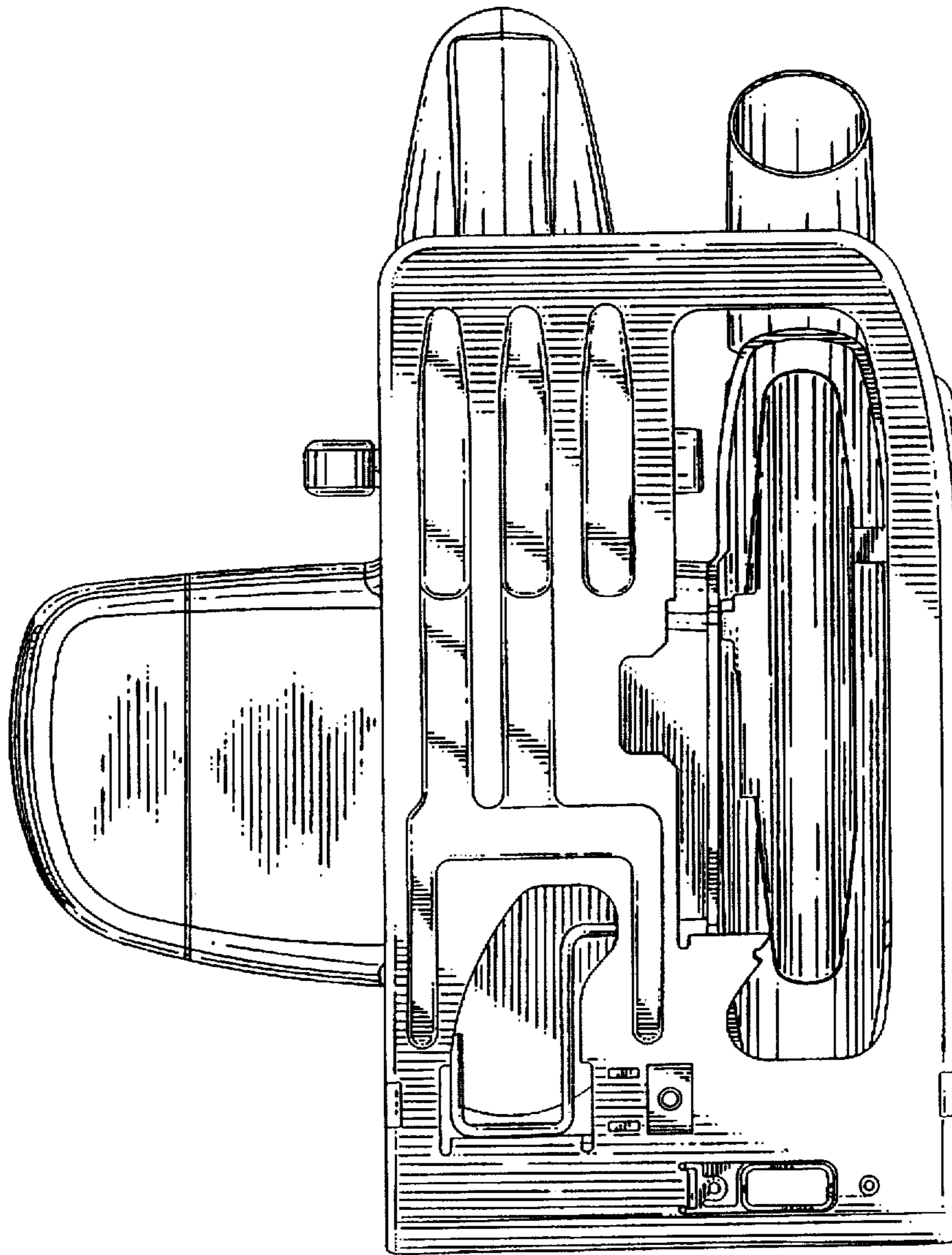


FIG. 6

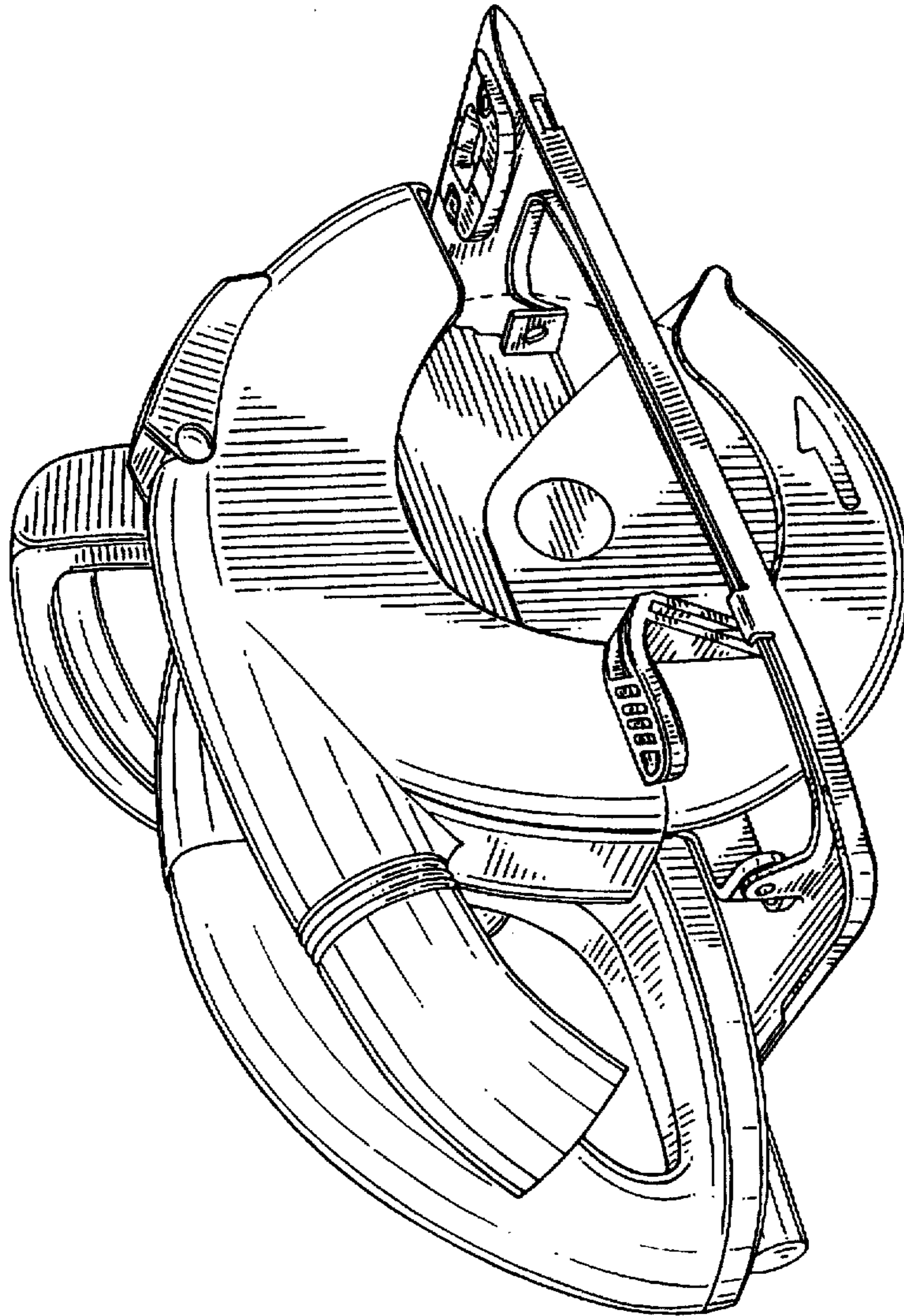


FIG. 7



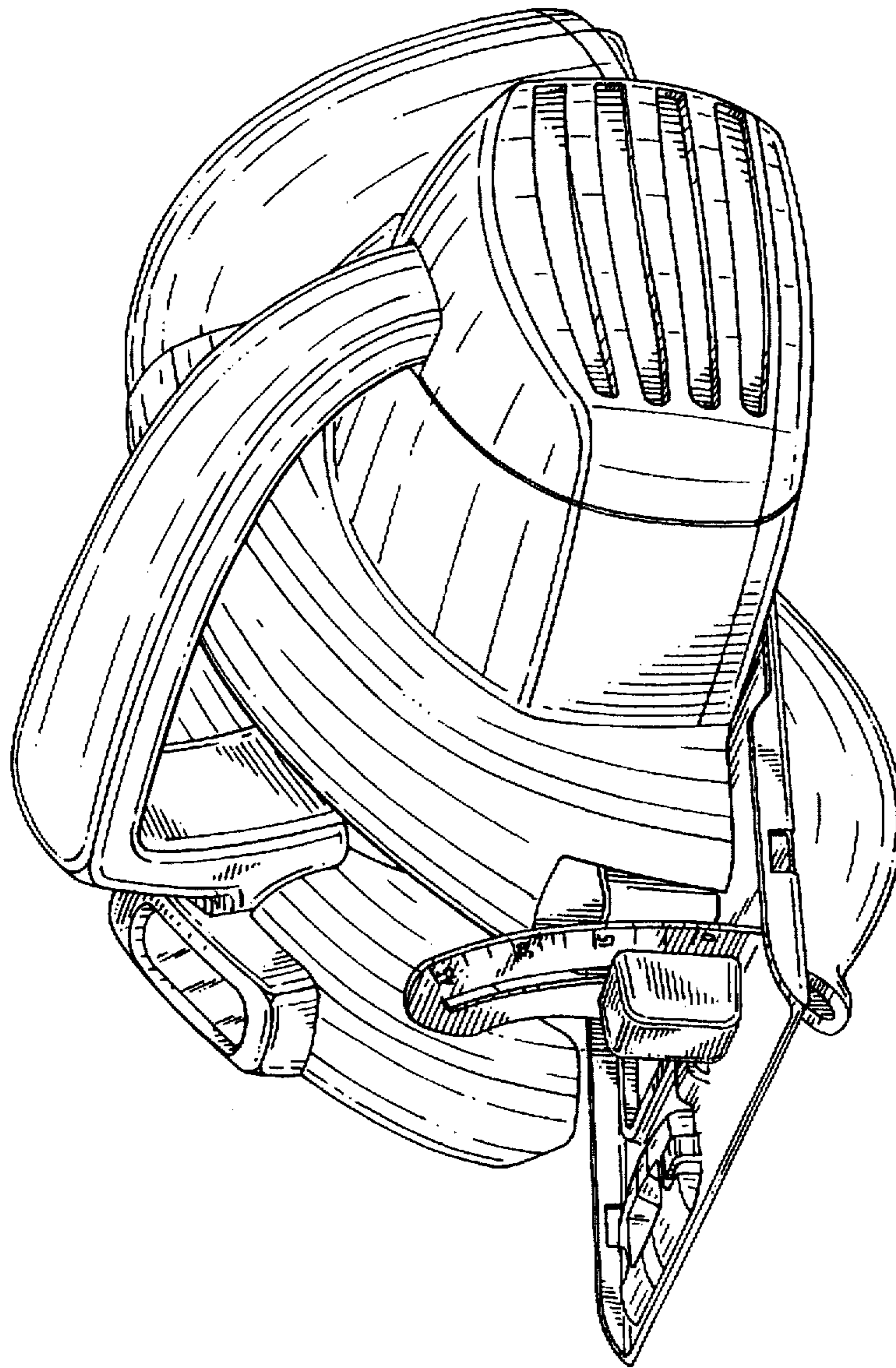


FIG. 8

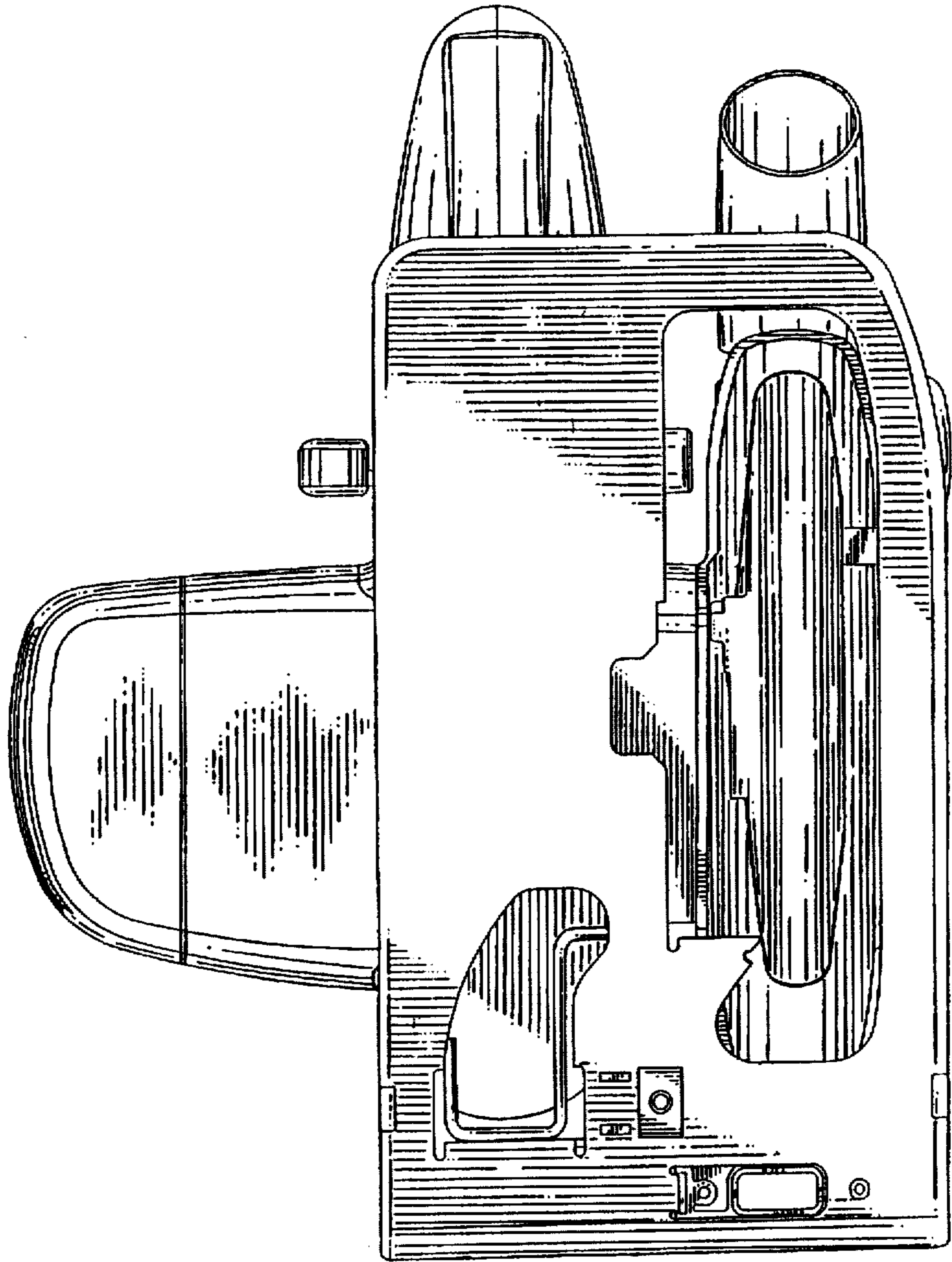


FIG. 9