



US00D390079S

United States Patent [19]

Nordeen

[11] Patent Number: **Des. 390,079**

[45] Date of Patent: ****Feb. 3, 1998**

[54] **BLOWGUN WITH NOZZLE TIP FOR ATTACHING QUICK COUPLING ACCESSORIES**

[76] Inventor: **Melvin A. Nordeen**, 11053 Stout La., Coulterville, Calif. 95311

[**] Term: **14 Years**

[21] Appl. No.: **60,829**

[22] Filed: **Oct. 8, 1996**

[51] LOC (6) Cl. **08-05**

[52] U.S. Cl. **D8/29.1; D23/233**

[58] Field of Search **D8/29.1; D23/233; 239/586, 267; 137/881; 173/65**

[56] **References Cited**

U.S. PATENT DOCUMENTS

4,078,728	3/1978	Nordeen	239/586
4,091,999	5/1978	Voos	239/289

Primary Examiner—Antoine Duval Davis

[57] **CLAIM**

The ornamental design for a blowgun with nozzle tip for attaching quick coupling accessories, as shown and described.

DESCRIPTION

FIG. 1 is a top, side and rear perspective view of a blowgun with nozzle tip for attaching quick coupling accessories showing my new design;

FIG. 2 is a side elevational view thereof;

FIG. 3 is a front perspective view;

FIG. 4 is a bottom perspective view;

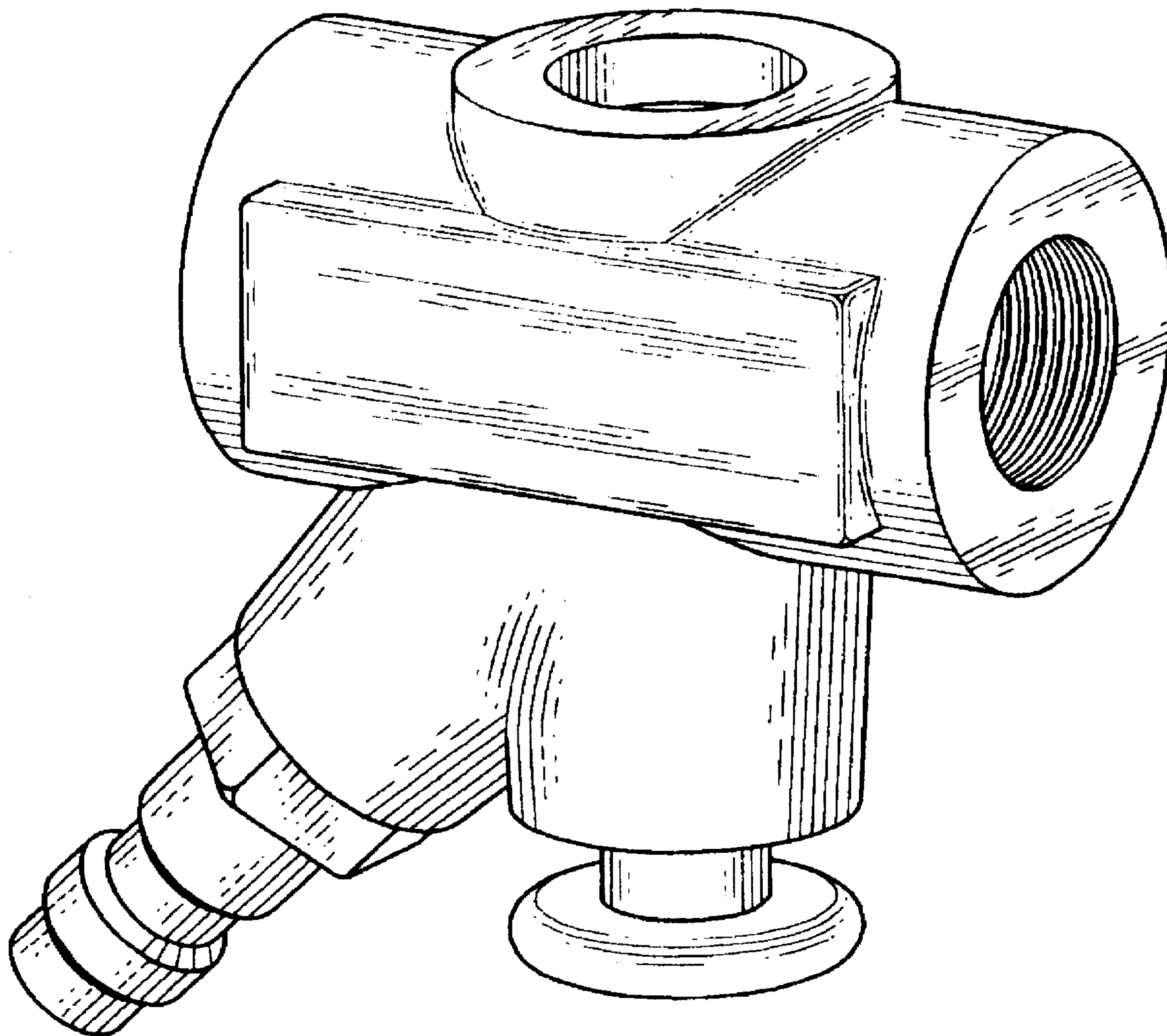
FIG. 5 is a top plan view;

FIG. 6 is a side elevational view opposite of that shown in FIG. 2;

FIG. 7 is a bottom plan view; and,

FIG. 8 is a rear perspective view from the bottom.

1 Claim, 2 Drawing Sheets



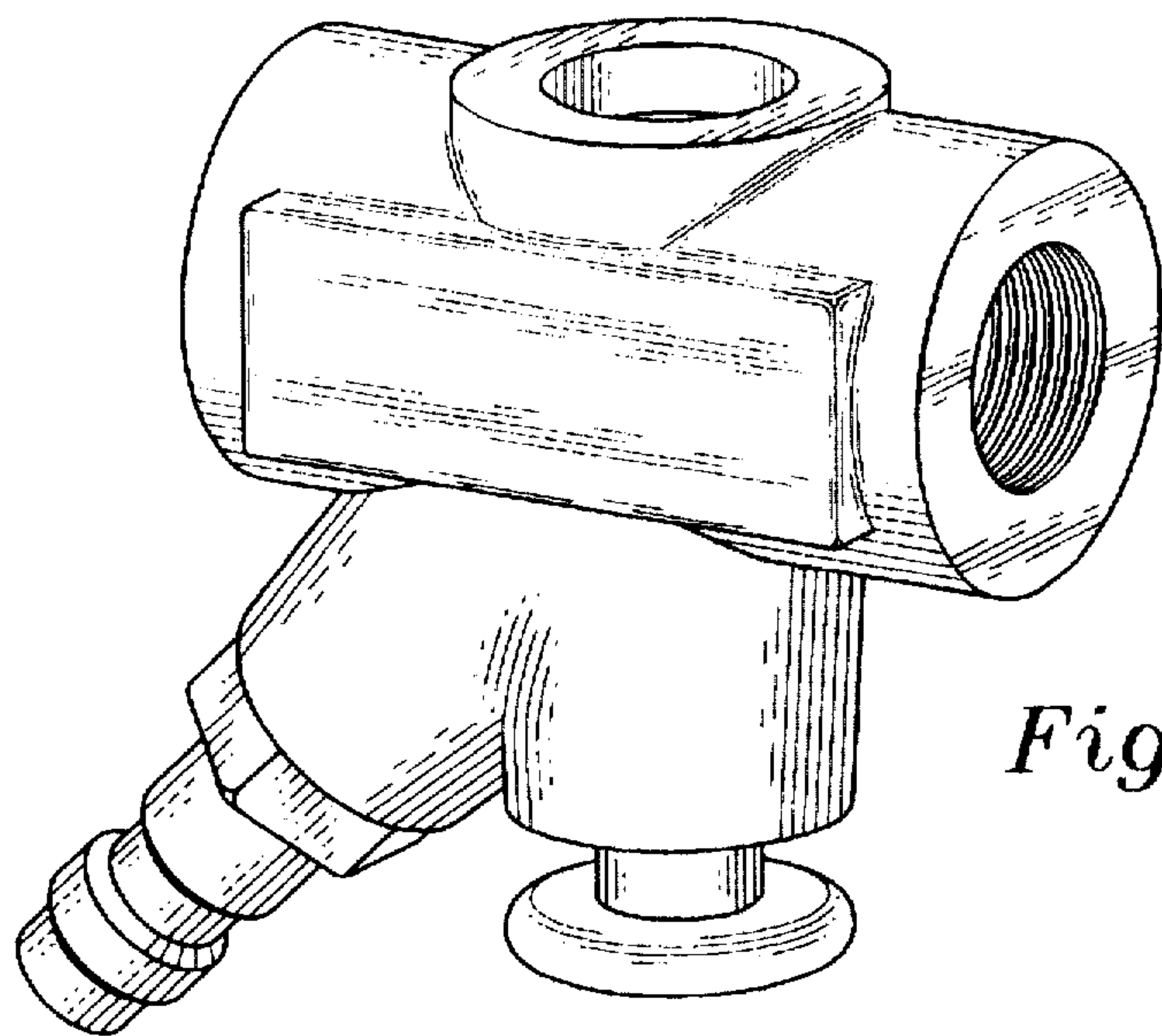


Fig. 1

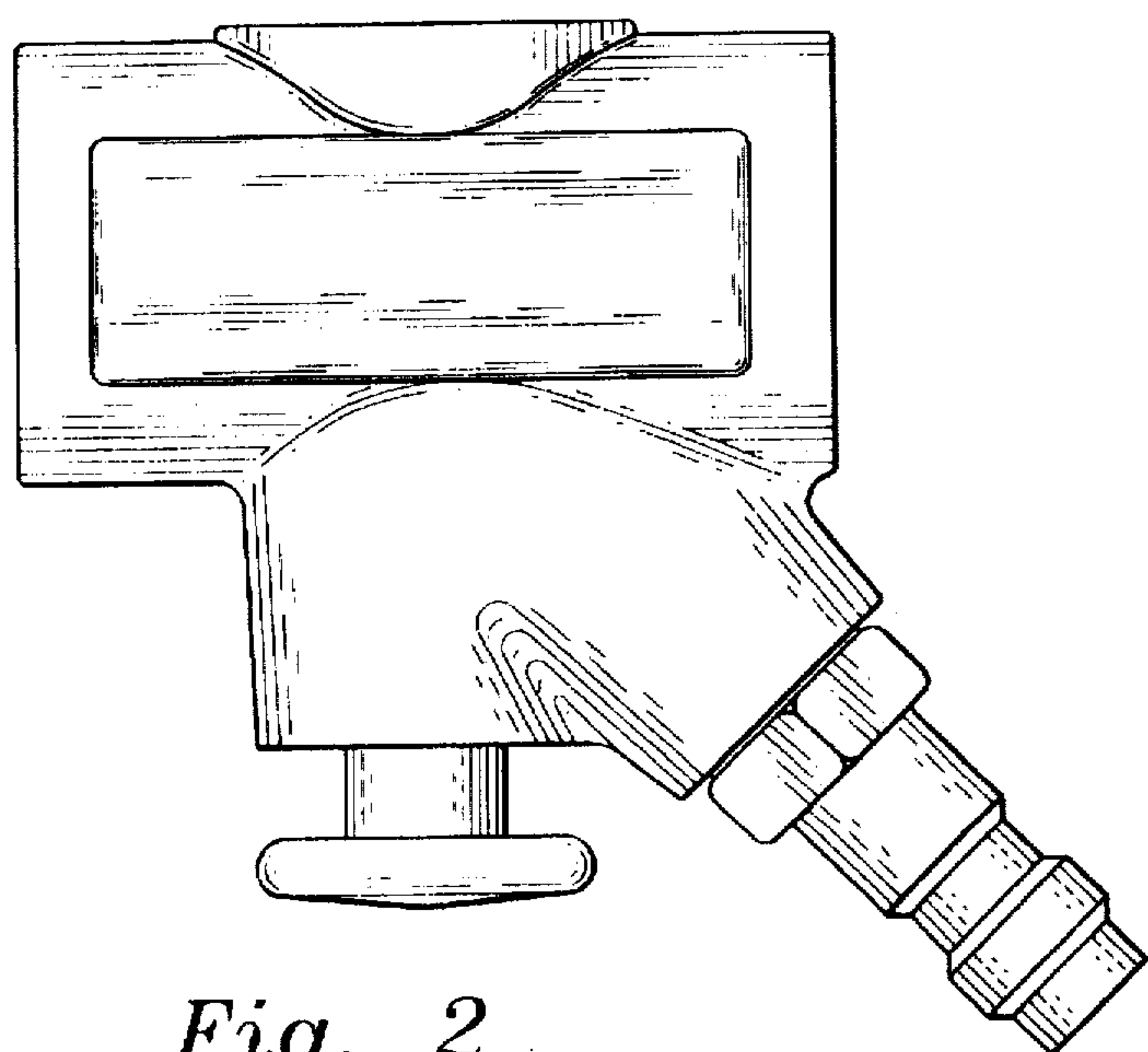


Fig. 2

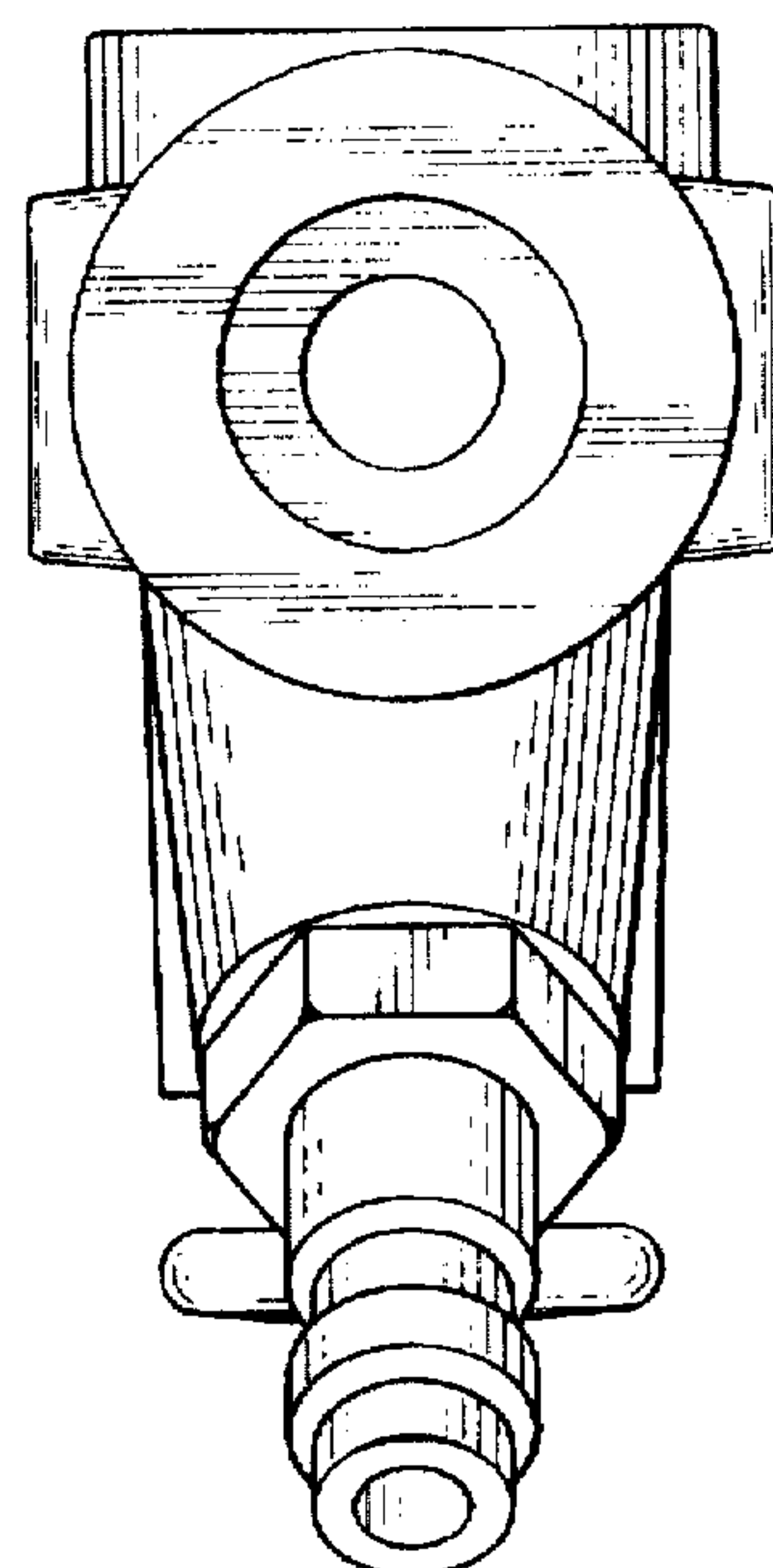


Fig. 3

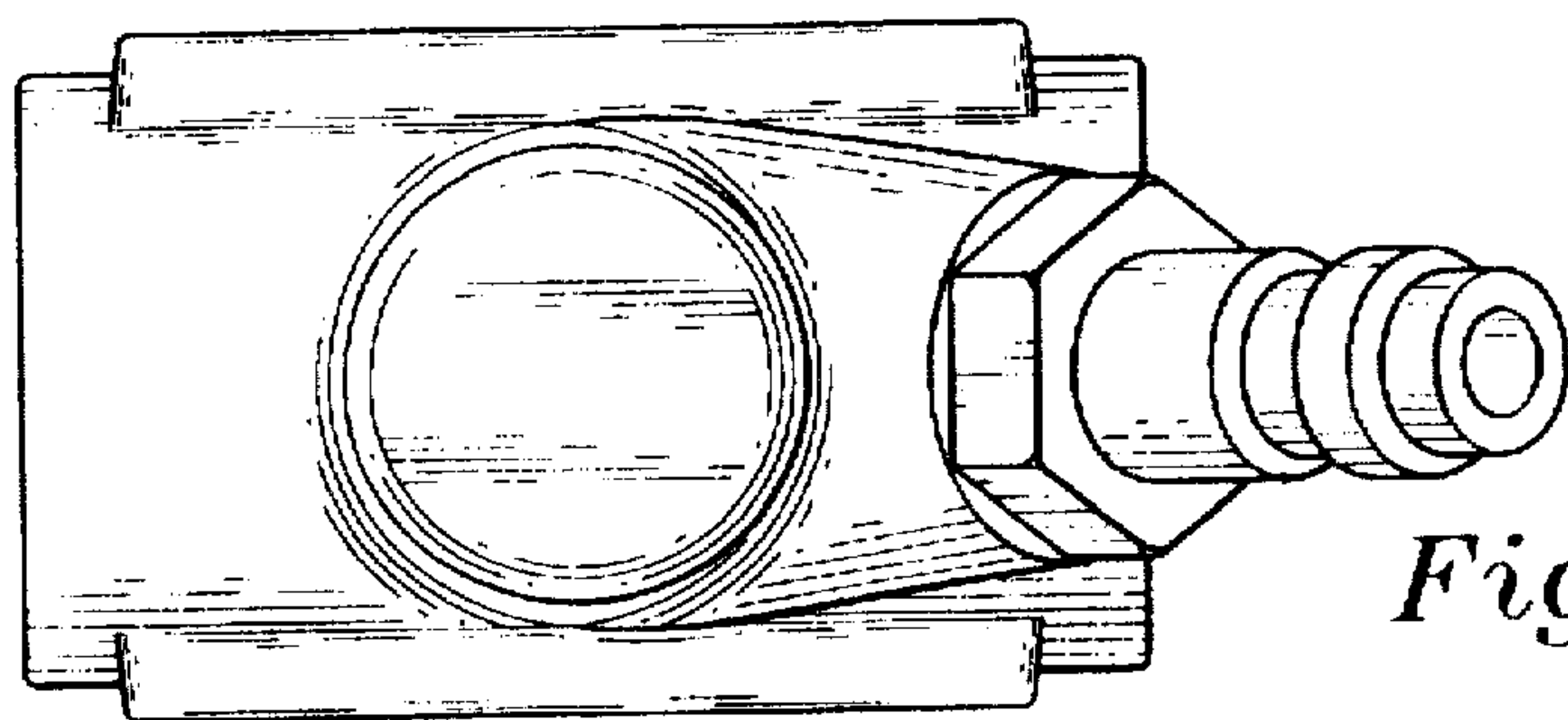
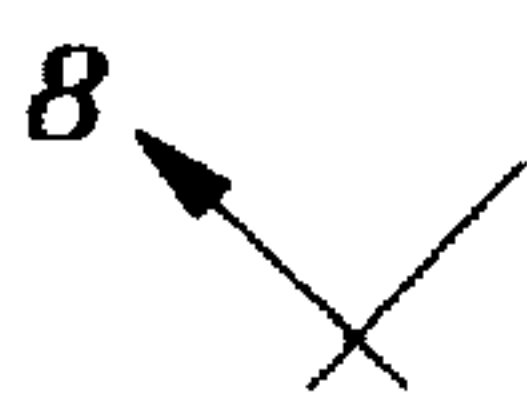
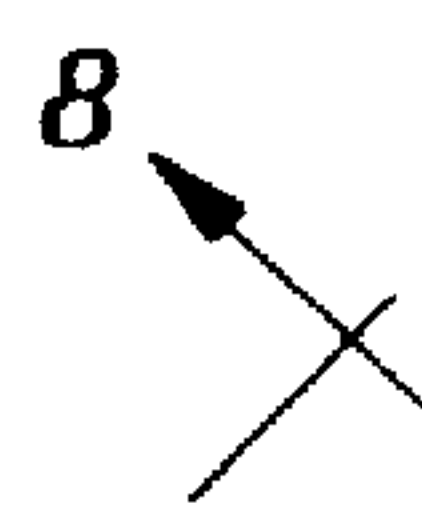


Fig. 4



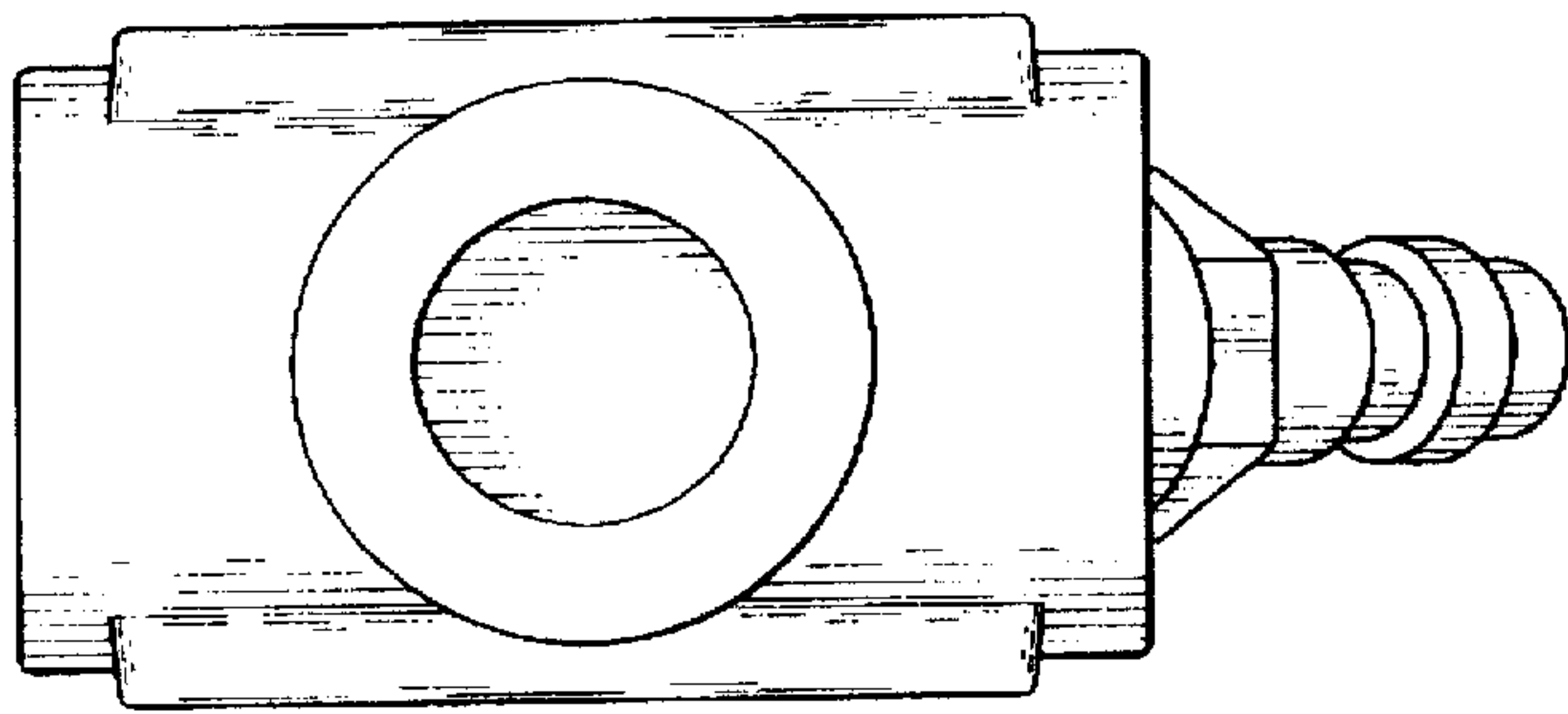


Fig. 5

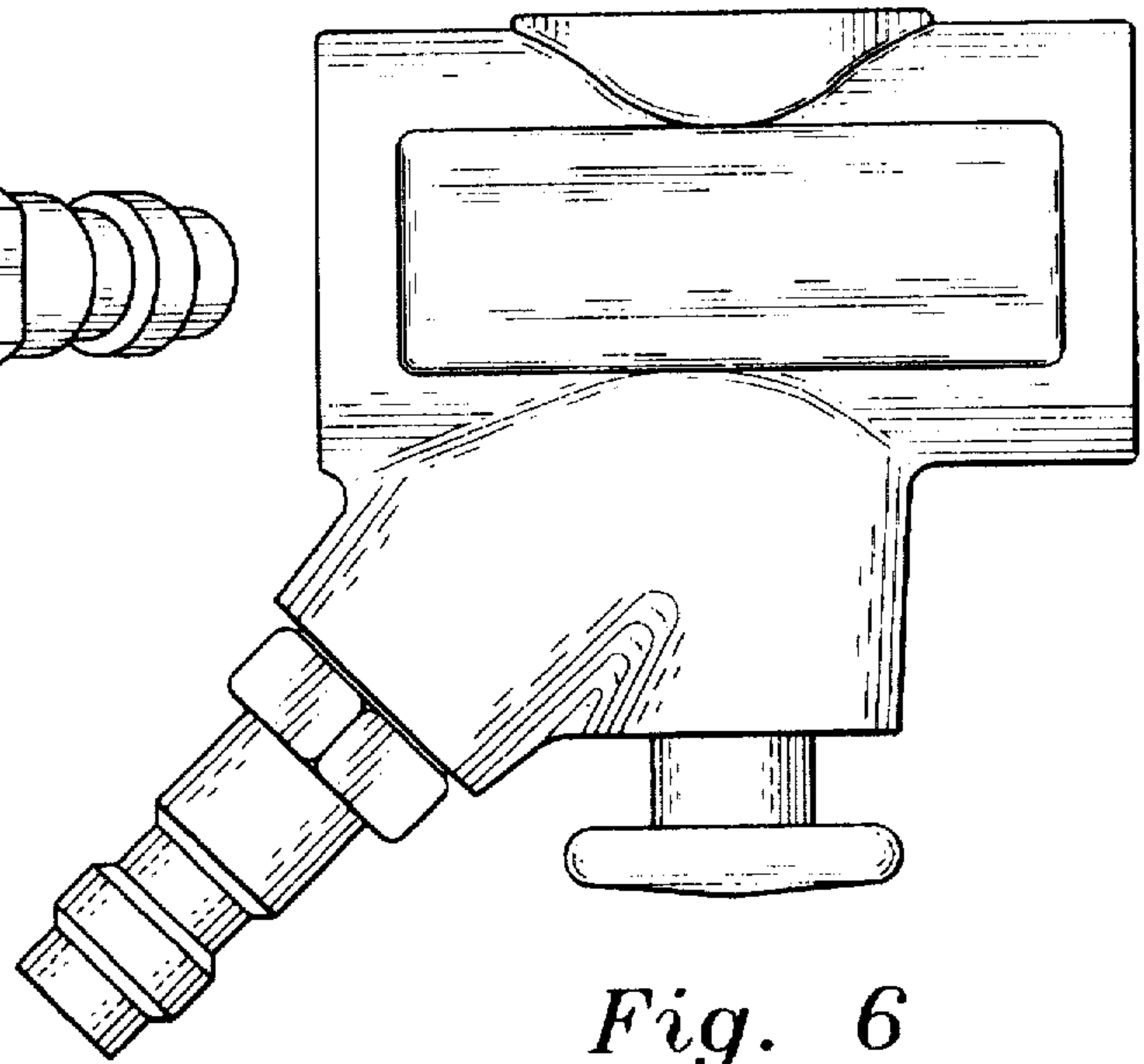


Fig. 6

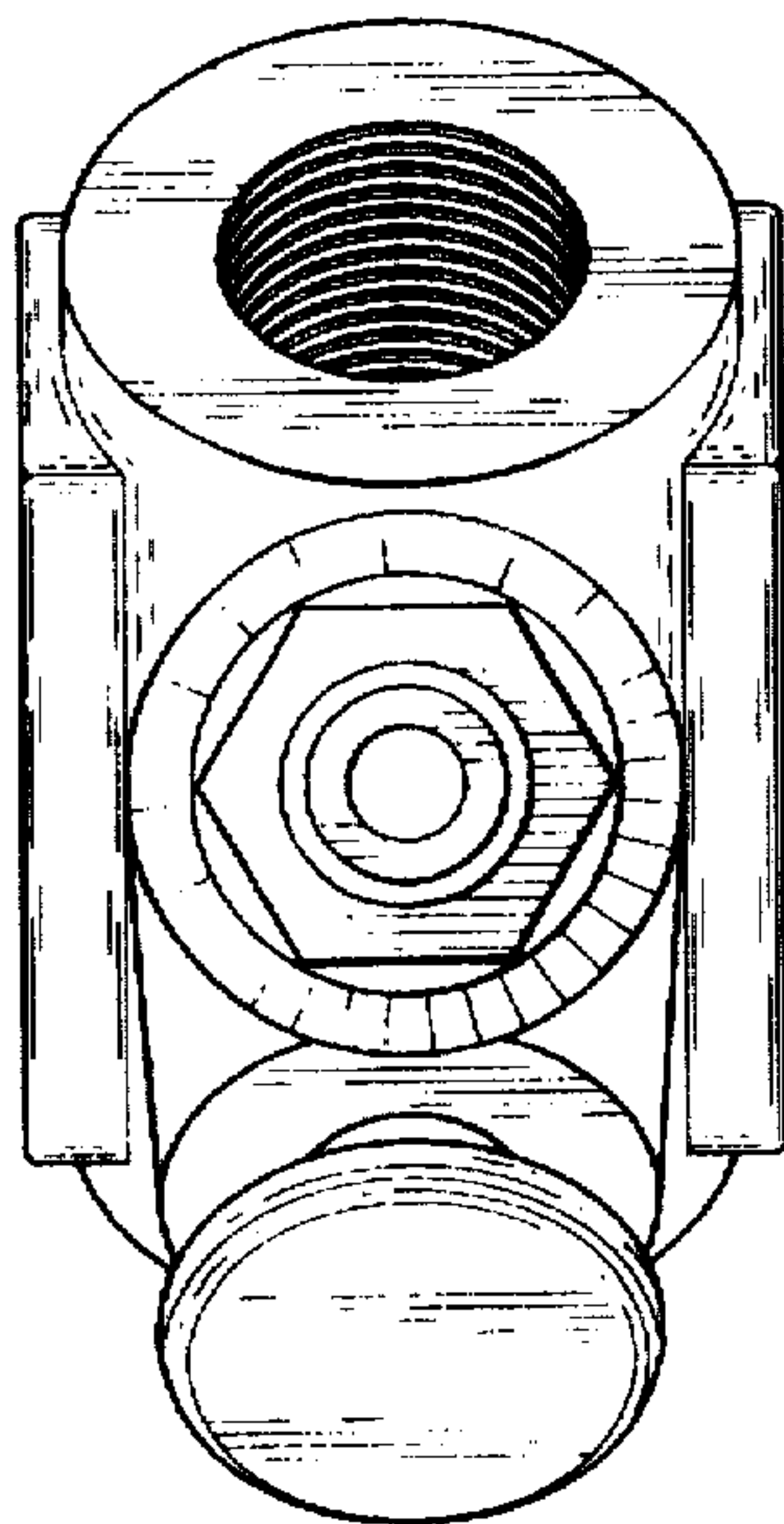


Fig. 8

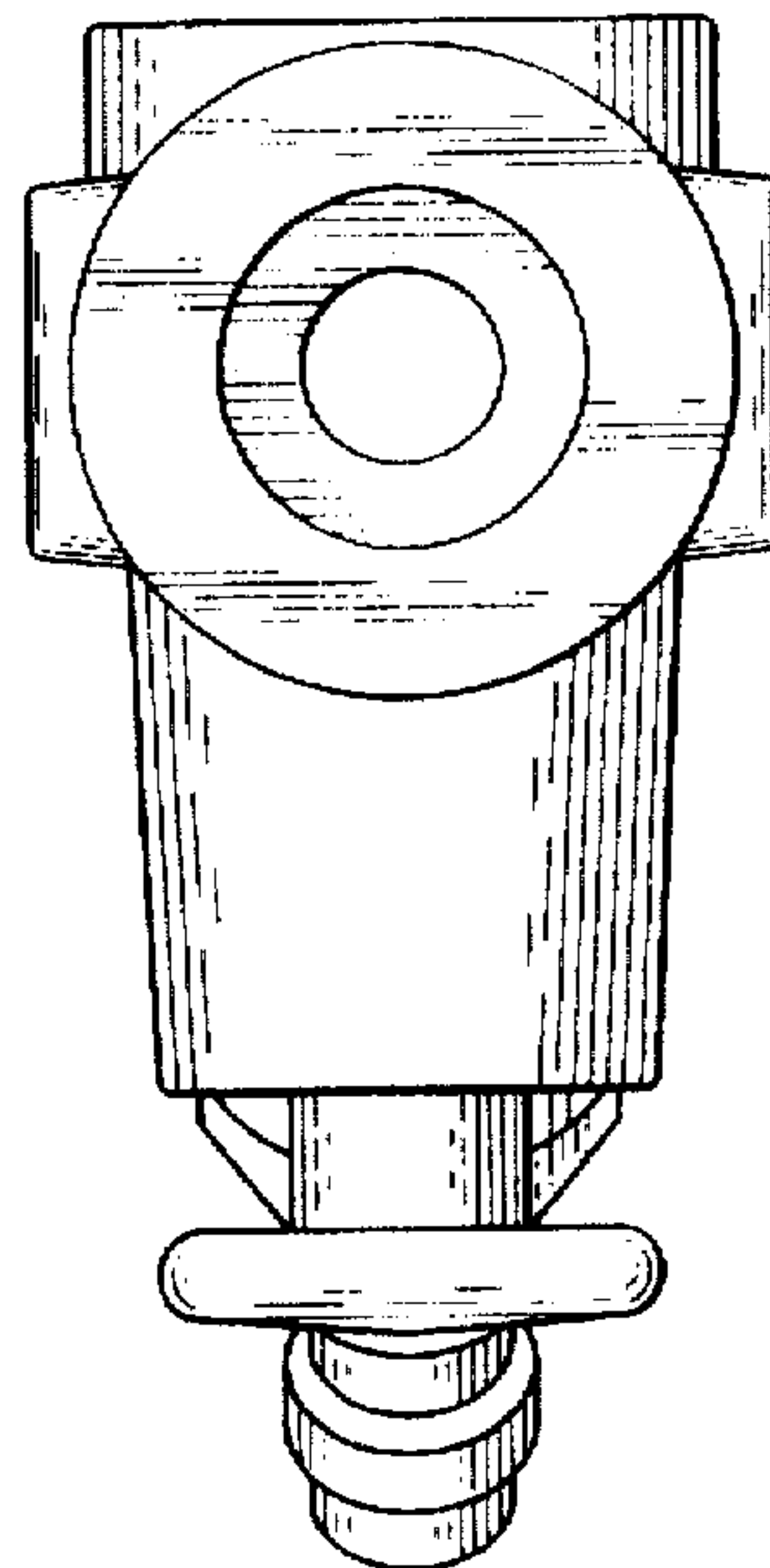


Fig. 7