



US00D390077S

United States Patent [19]
Moskalik

[11] **Patent Number:** **Des. 390,077**
[45] **Date of Patent:** ****Feb. 3, 1998**

[54] **MANUAL MANIPULATOR**

[75] **Inventor:** **Stephen L. Moskalik, Plainwell, Mich.**

[73] **Assignee:** **TDA Buddy, Inc., Kalamazoo, Mich.**

[**] **Term:** **14 Years**

[21] **Appl. No.:** **55,462**

[22] **Filed:** **Jun. 4, 1996**

[51] **LOC (6) Cl.** **08-05**

[52] **U.S. Cl.** **D8/14**

[58] **Field of Search** **D8/14, 107, 88,**
D8/89; 294/19.1, 19.2, 19.3, 22, 23, 23.5,
24, 64.2

[56] **References Cited**

U.S. PATENT DOCUMENTS

D. 345,899 4/1994 Friend D8/14
5,437,488 8/1995 Richmond et al. 294/19.2

Primary Examiner—Antoine Duval Davis
Attorney, Agent, or Firm—Flynn, Thiel, Boutell & Tanis,
P.C.

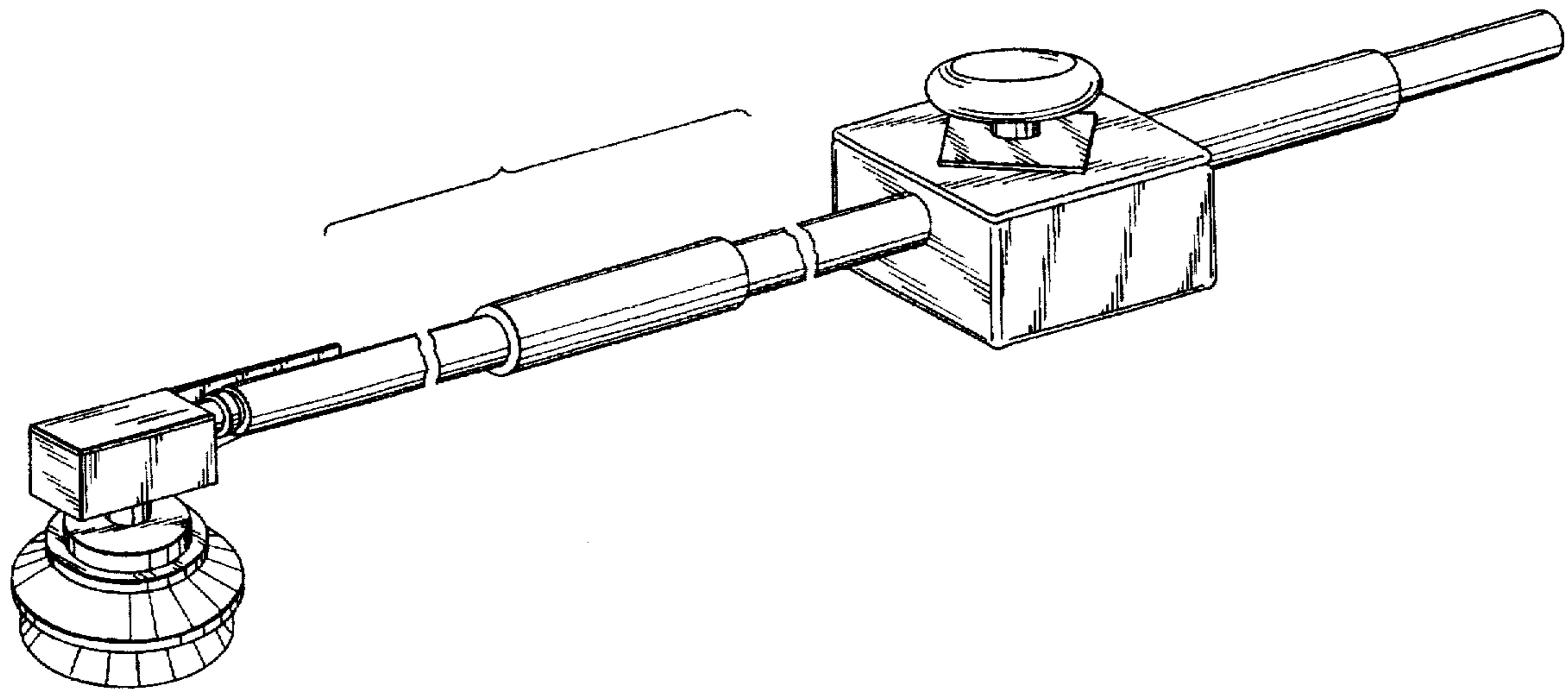
[57] **CLAIM**

The ornamental designs of a manual manipulator, as shown and described.

DESCRIPTION

FIG. 1 is a top front right isometric view showing a first embodiment of the manual manipulator of my design; FIG. 2 is a right side elevational view thereof; FIG. 3 is a left side elevational view thereof; FIG. 4 is a top plan view thereof; FIG. 5 is a bottom plan view thereof; FIG. 6 is a front elevational view thereof; FIG. 7 is a rear elevational view thereof; FIG. 8 is a top front right perspective view showing a second embodiment of the manual manipulator of my design; FIG. 9 is a right side elevational view thereof similar to FIG. 2; FIG. 10 is a left side elevational view thereof similar to FIG. 3; FIG. 11 is a top plan view thereof identical to FIG. 4; FIG. 12 is a bottom plan view thereof identical to FIG. 5; FIG. 13 is a front elevational view thereof similar to FIG. 6; and, FIG. 14 is a rear elevational view thereof being similar to FIG. 7.

1 Claim, 9 Drawing Sheets



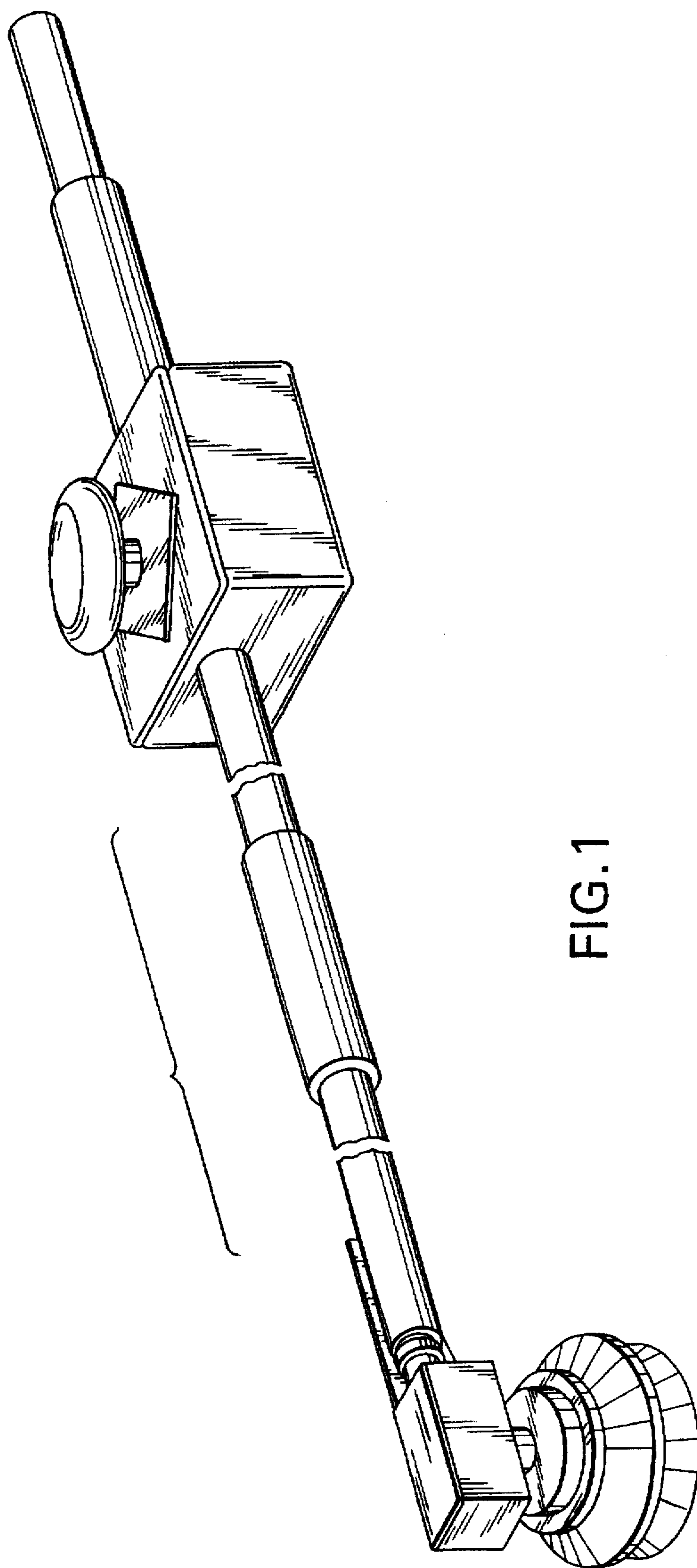


FIG. 1

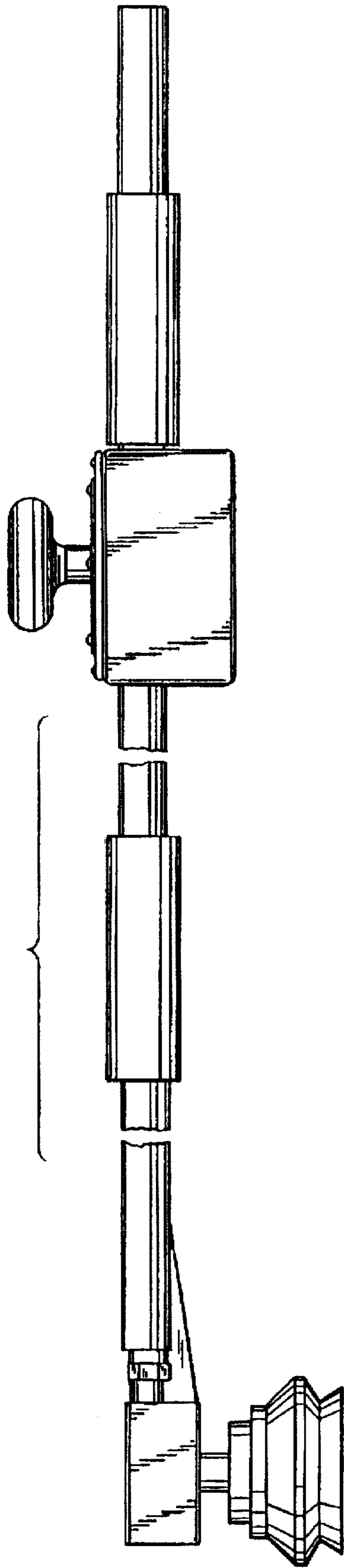


FIG. 2

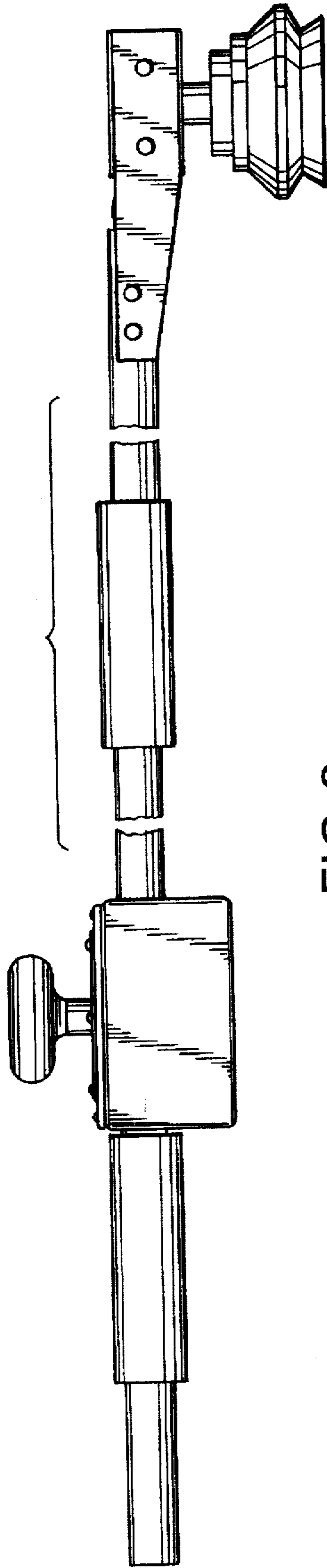


FIG. 3

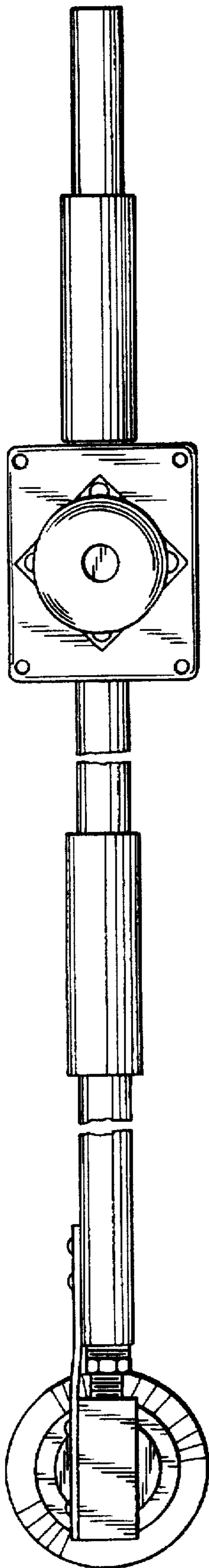


FIG. 4

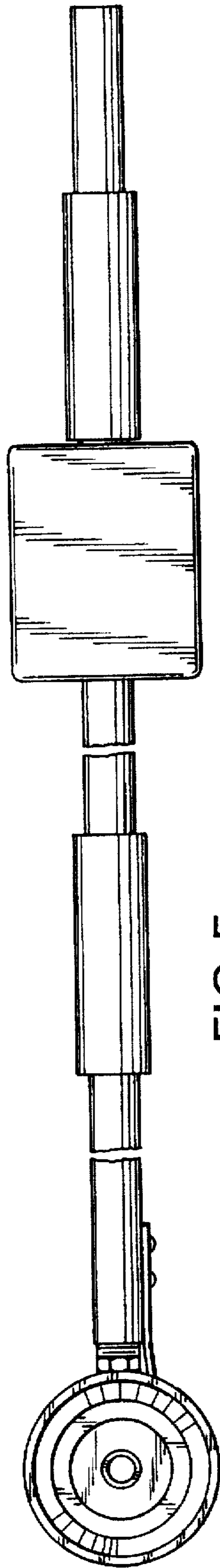


FIG. 5

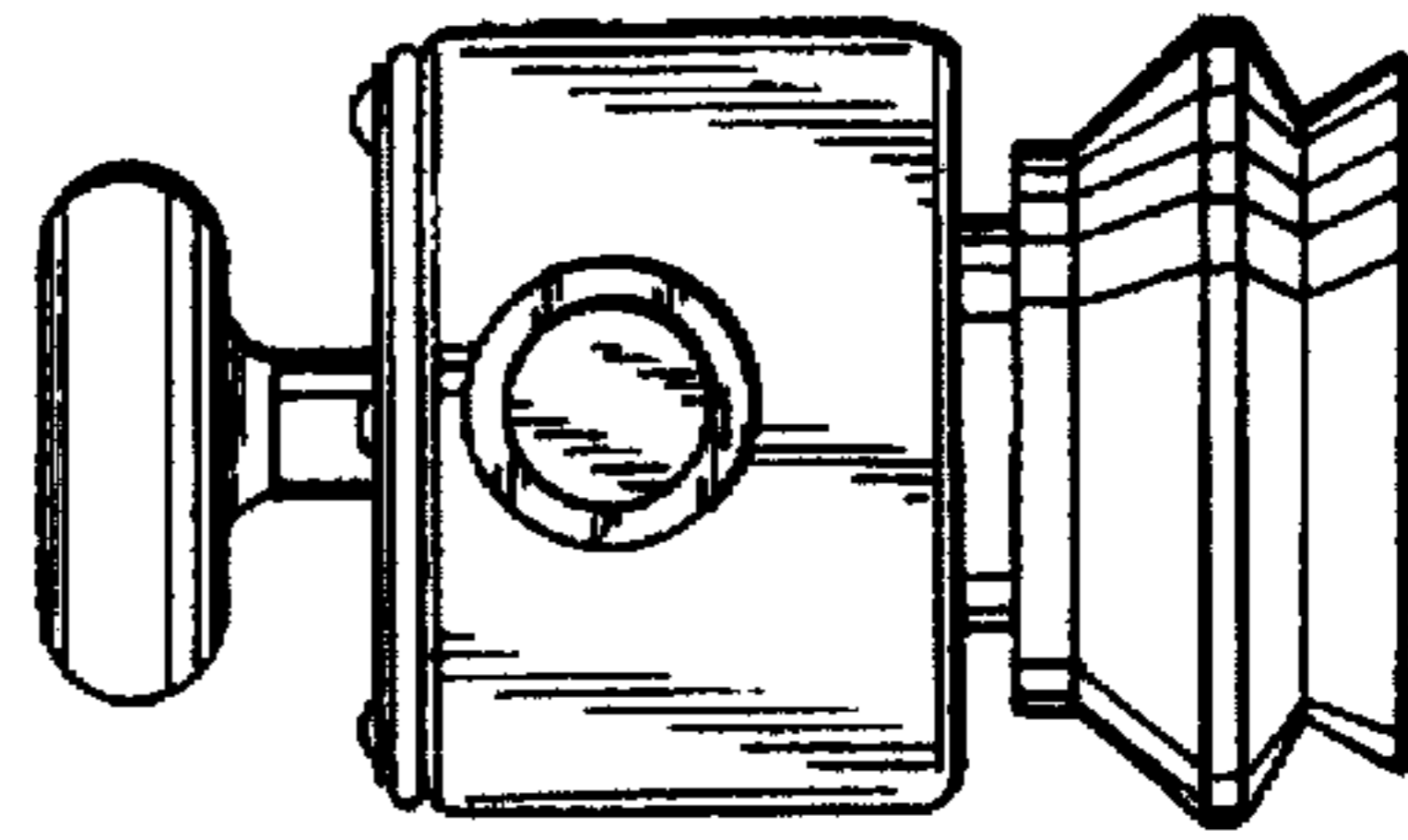


FIG. 7

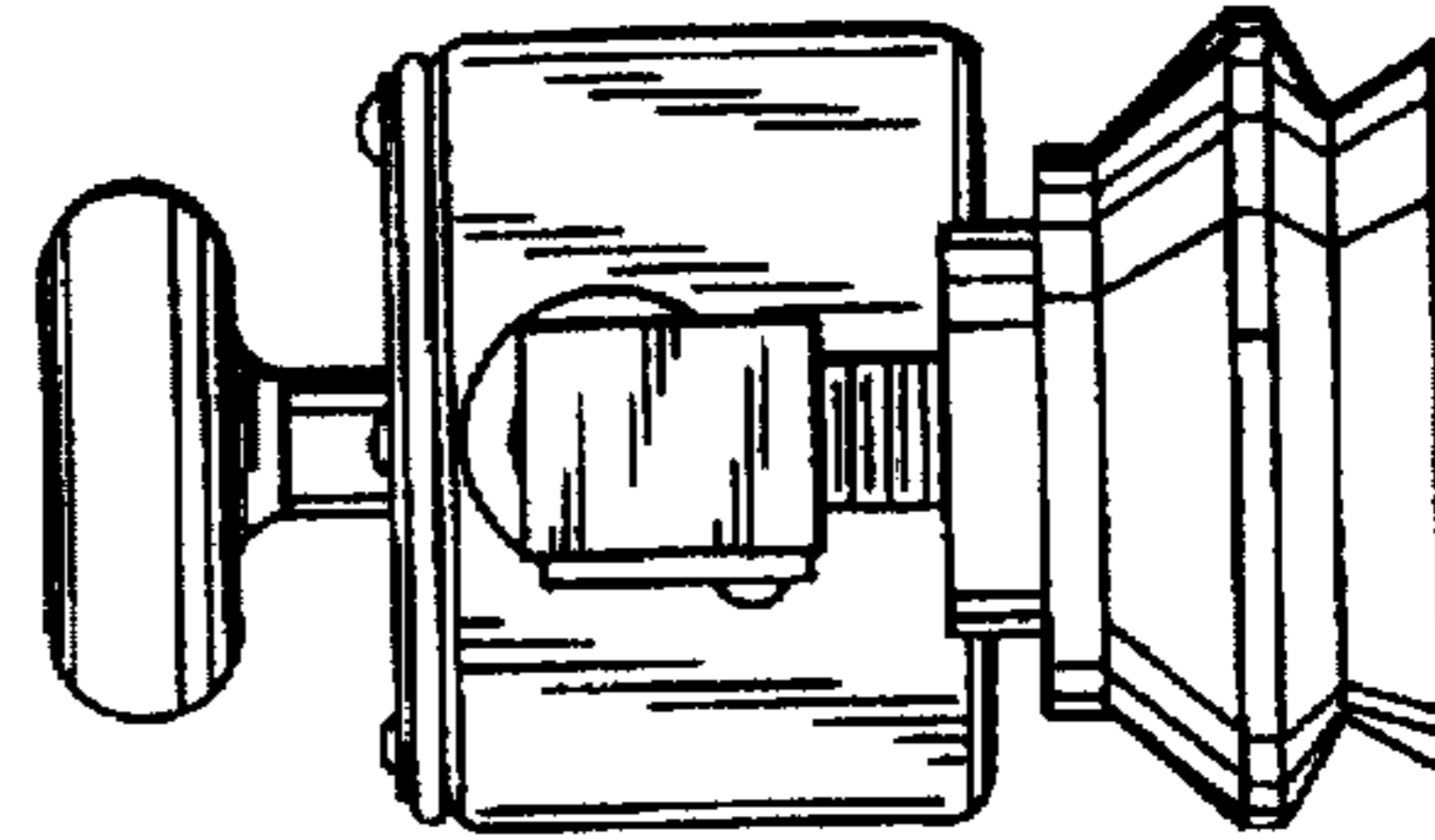


FIG. 6

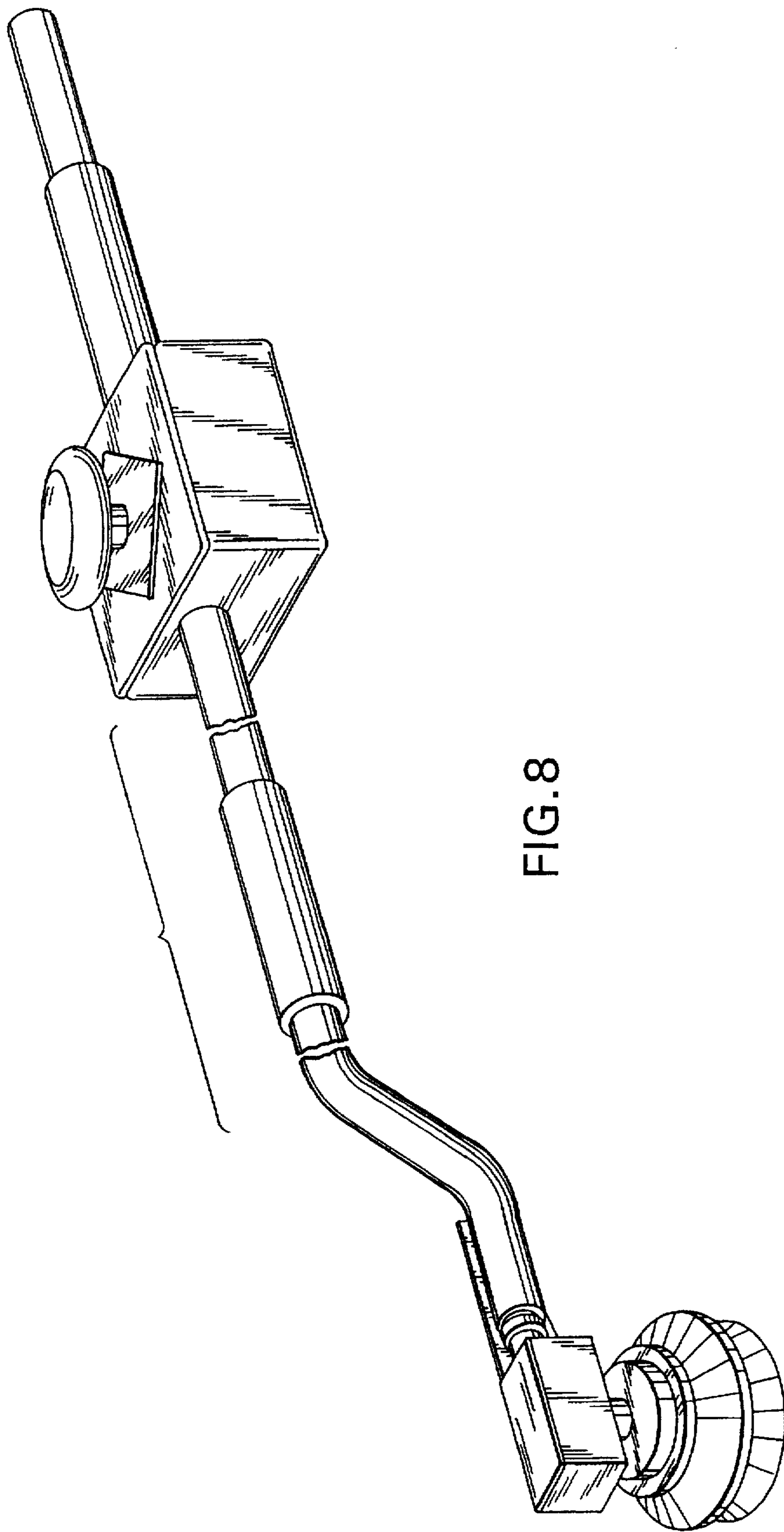


FIG. 8

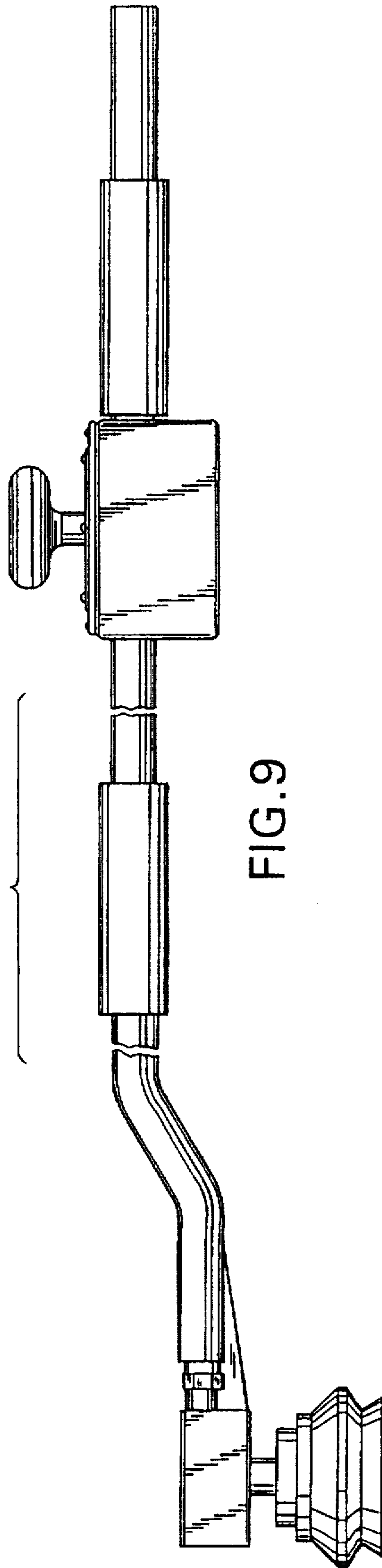


FIG. 9

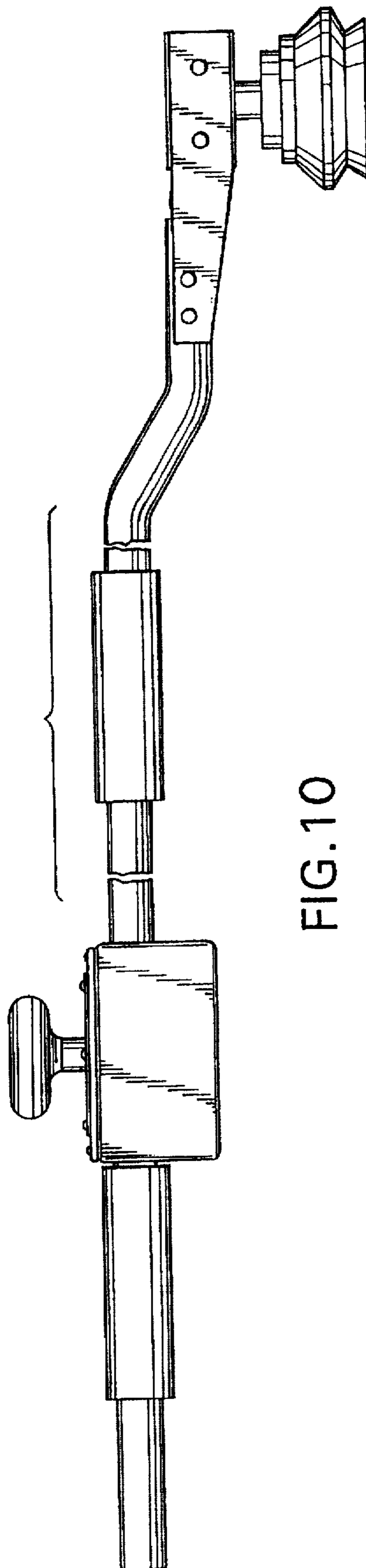


FIG. 10

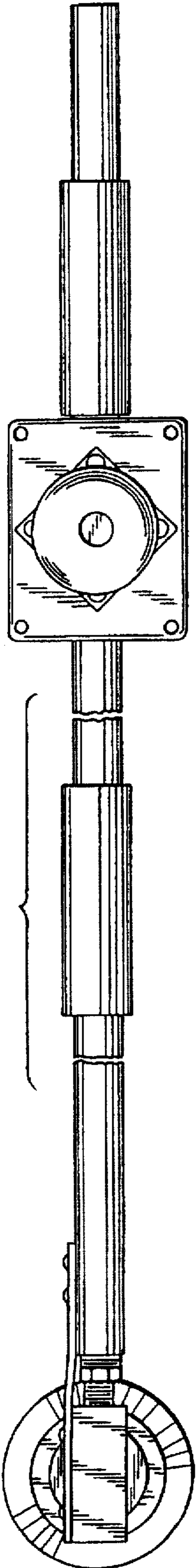


FIG. 11

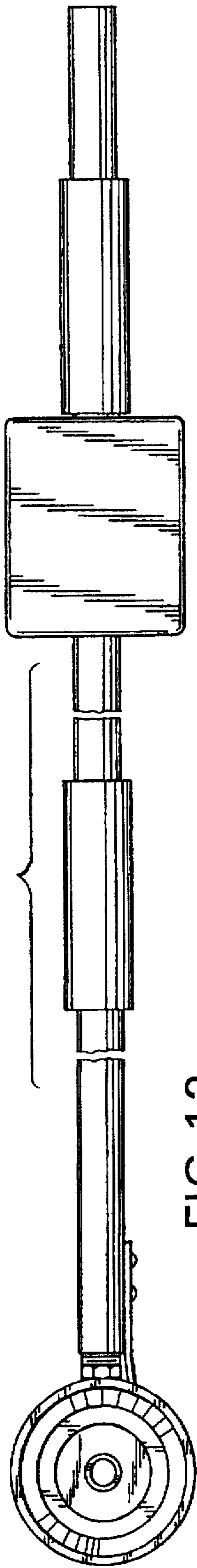


FIG. 12

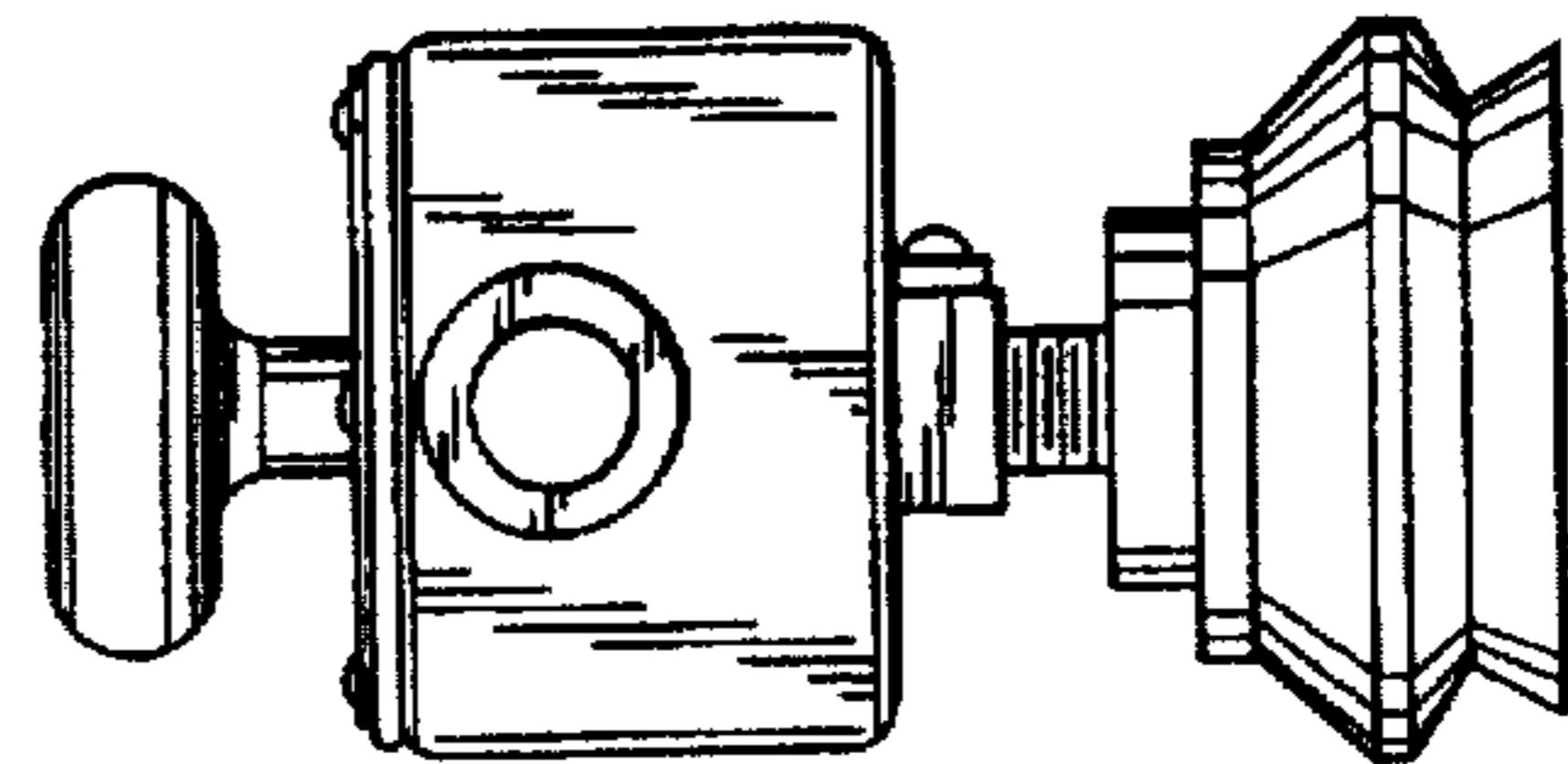


FIG. 14

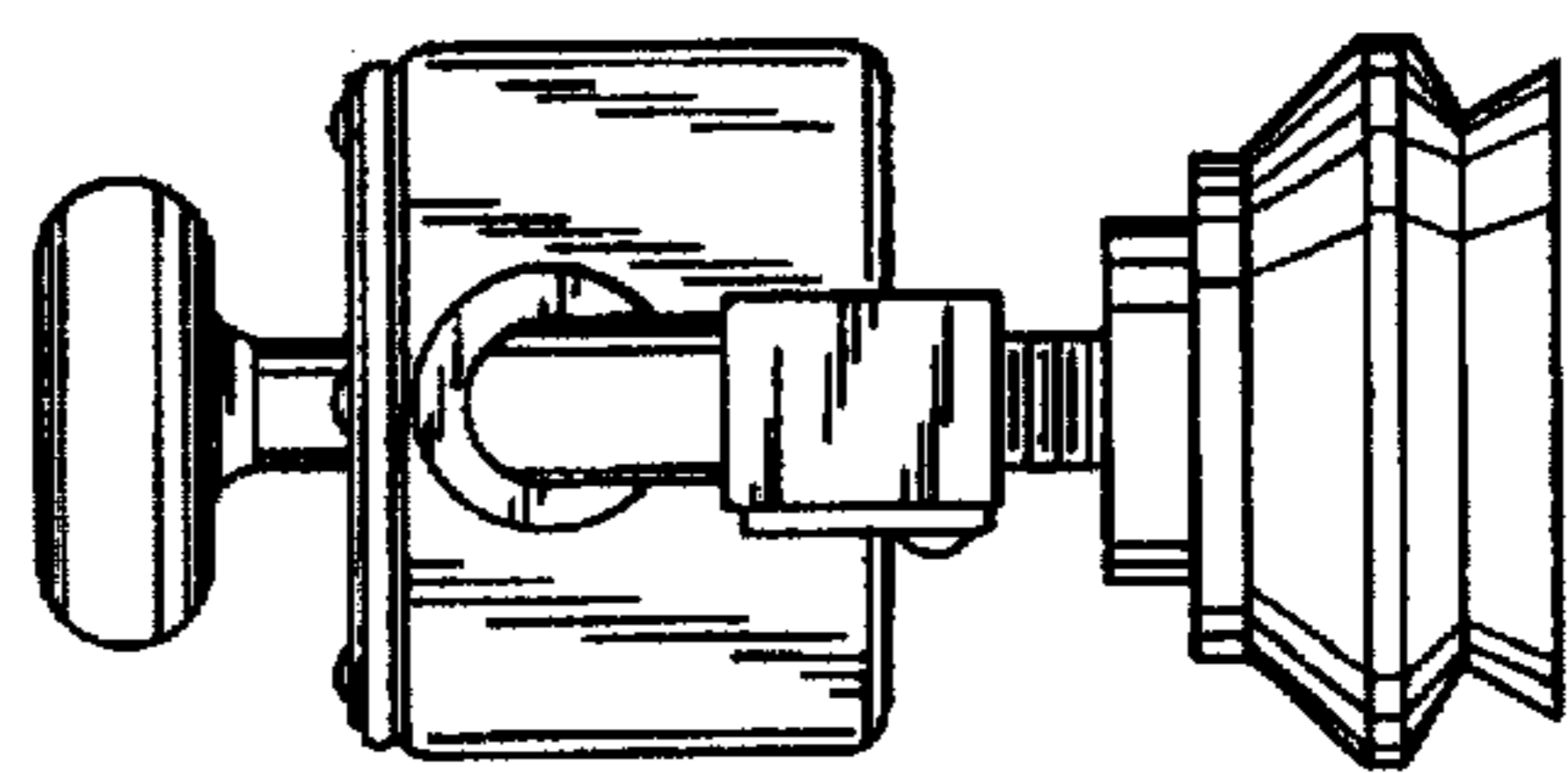


FIG. 13