



US00D390073S

United States Patent [19]
Caspall

[11] **Patent Number:** **Des. 390,073**
[45] **Date of Patent:** ****Feb. 3, 1998**

[54] **PLANTER**

[75] **Inventor:** **Dan R. Caspall**, Walnut Ridge, Ark.

[73] **Assignee:** **Vaughan & Bushnell Manufacturing Company**, Hebron, Ill.

[**] **Term:** **14 Years**

[21] **Appl. No.:** **63,573**

[22] **Filed:** **Dec. 10, 1996**

[51] **LOC (6) Cl.** **08-01**

[52] **U.S. Cl.** **D8/11**

[58] **Field of Search** **D8/11, 7, 9; 172/371-372, 172/375-376**

[56] **References Cited**

U.S. PATENT DOCUMENTS

- D. 256,322 8/1980 Zabarte .
- D. 299,412 1/1989 Zabarte .
- D. 300,109 3/1989 Zabarte .
- D. 302,381 7/1989 Zabarte .
- D. 302,933 8/1989 Zabarte .
- D. 303,068 8/1989 Zarbarte .

- D. 303,341 9/1989 Zabarte .
- D. 307,099 4/1990 Zabarte .
- 1,277,894 9/1918 Forsyth 172/375
- 1,280,465 10/1918 Herron 172/375

Primary Examiner—Holly Baynham
Attorney, Agent, or Firm—Lackenbach Siegel Marzullo Aronson & Greenspan

[57] **CLAIM**

The ornamental design for a planter, as shown and described.

DESCRIPTION

FIG. 1 is a perspective view of my planter, showing my new design, the broken line showing a portion of the handle for illustrative purposes only and forming no part of the claimed design;

FIG. 2 is a top plan view thereof;

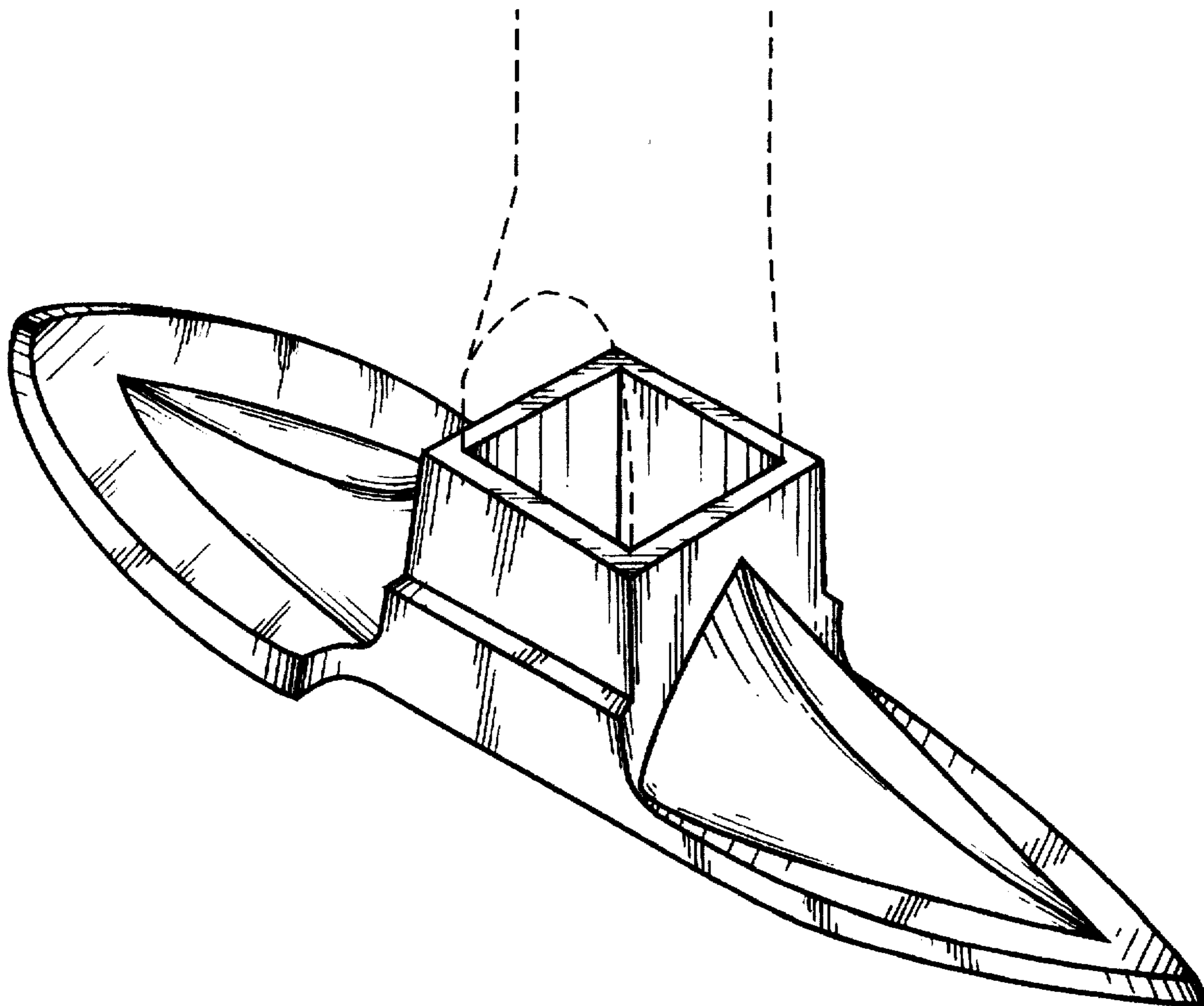
FIG. 3 is a side elevational view thereof, the side opposite being a mirror image;

FIG. 4 is an end elevational view thereof;

FIG. 5 is an opposite end elevational view thereof; and,

FIG. 6 is a bottom plan view thereof.

1 Claim, 2 Drawing Sheets



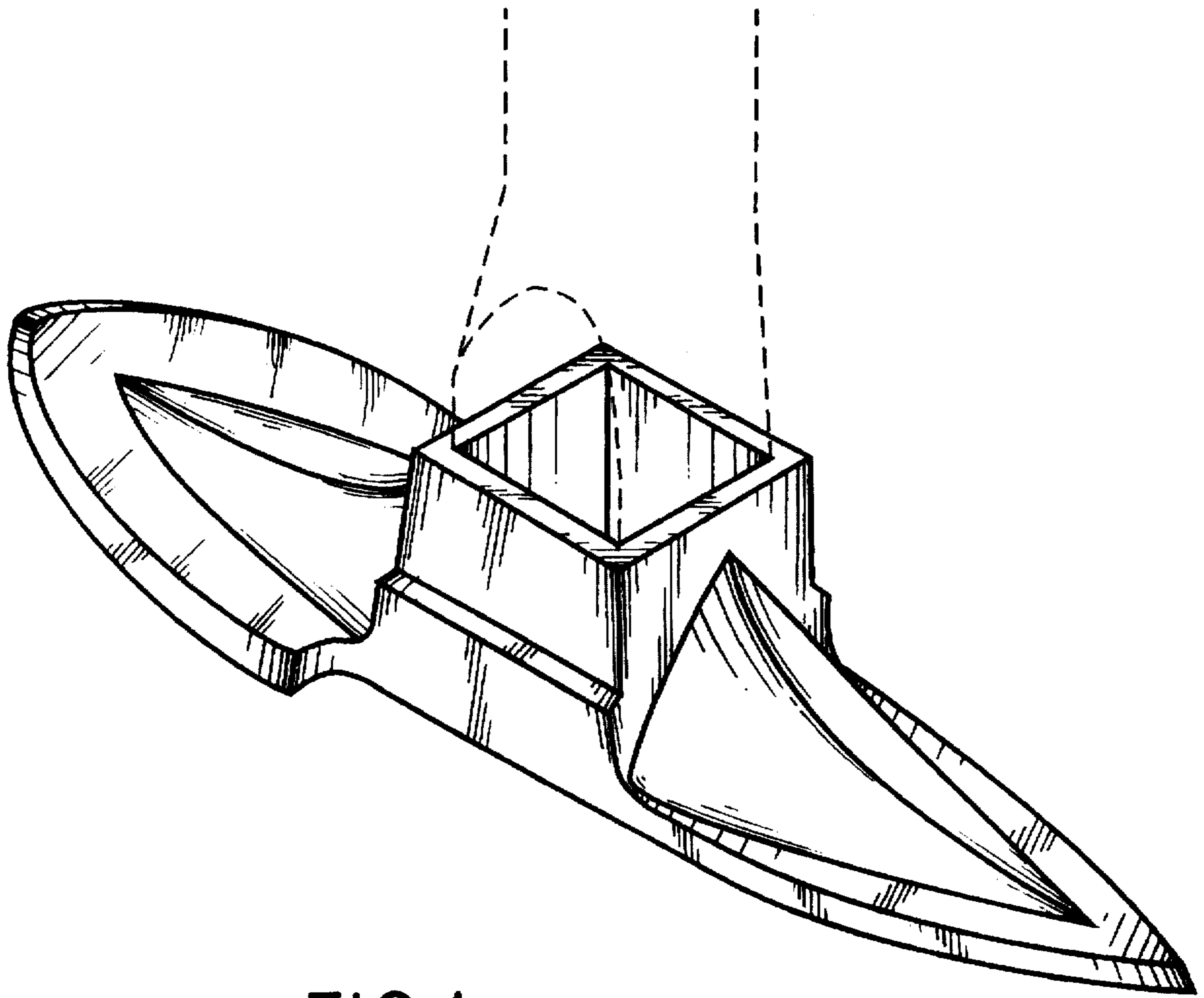


FIG. 1

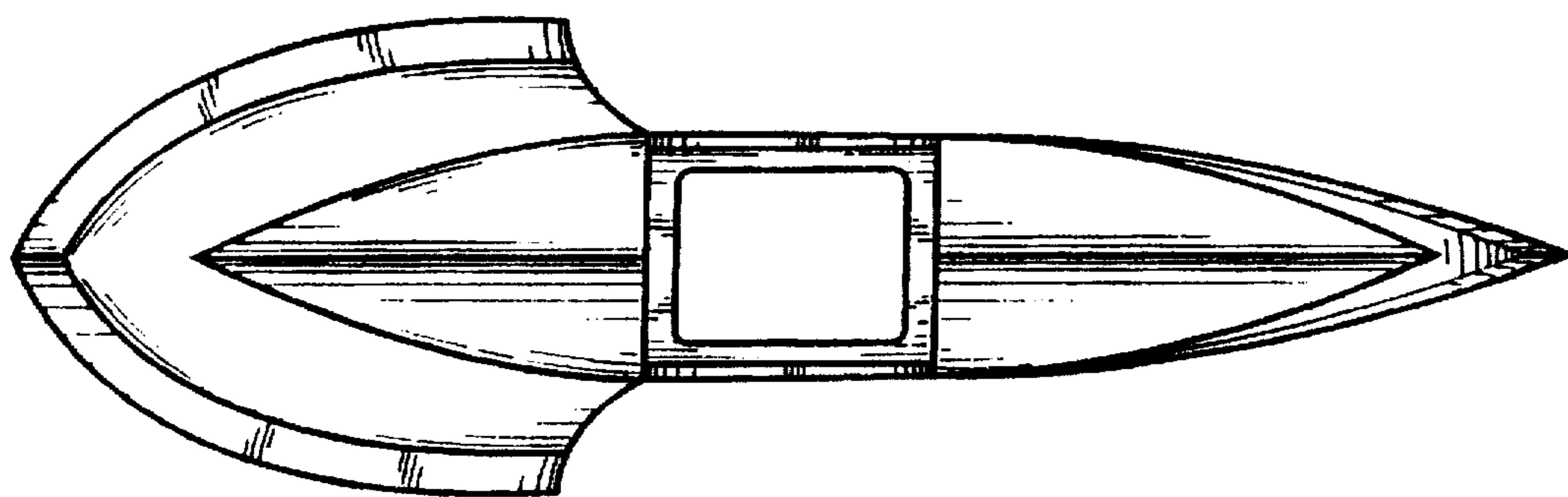


FIG. 2

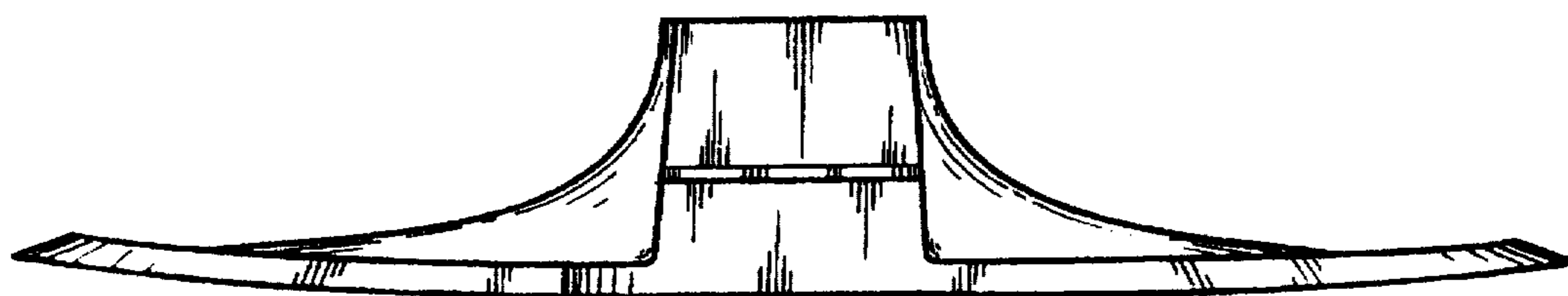


FIG. 3

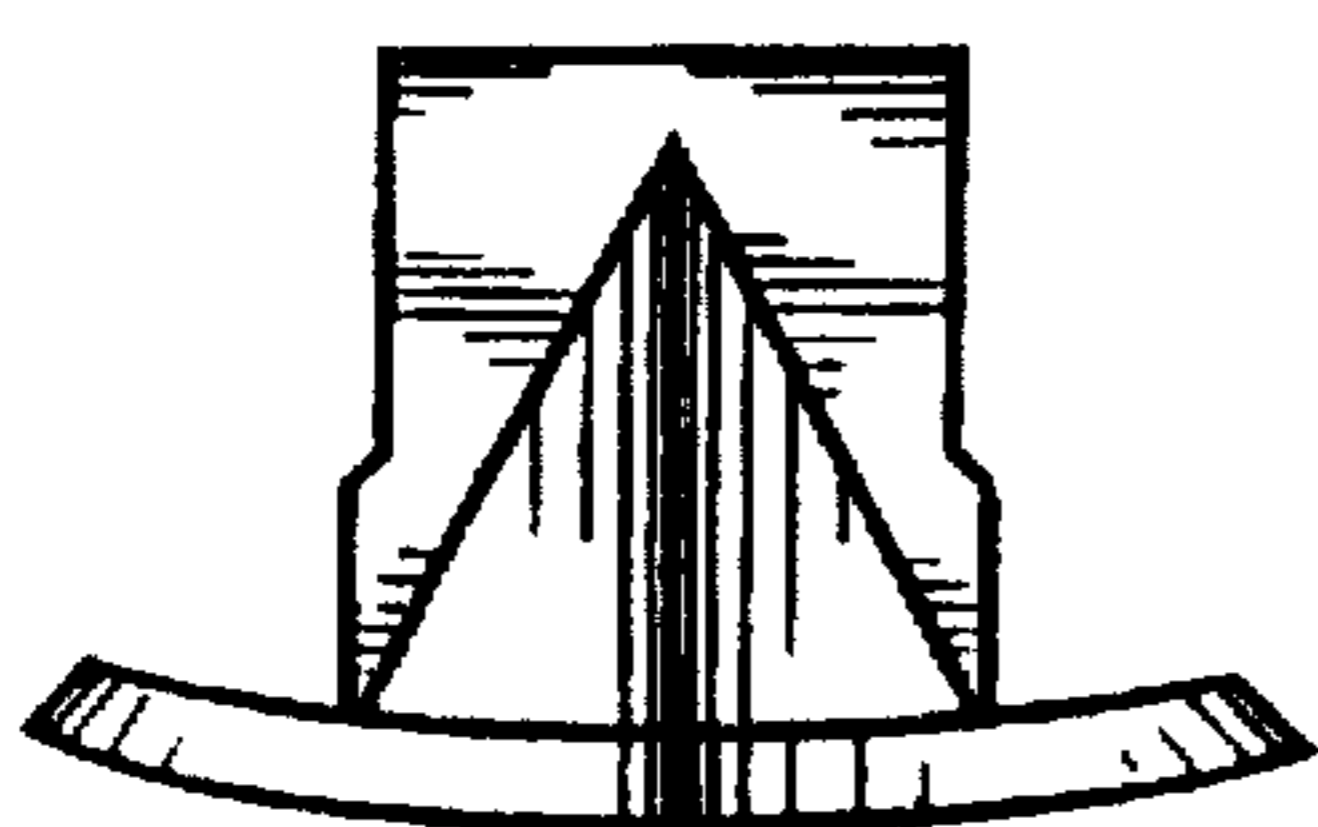


FIG. 4

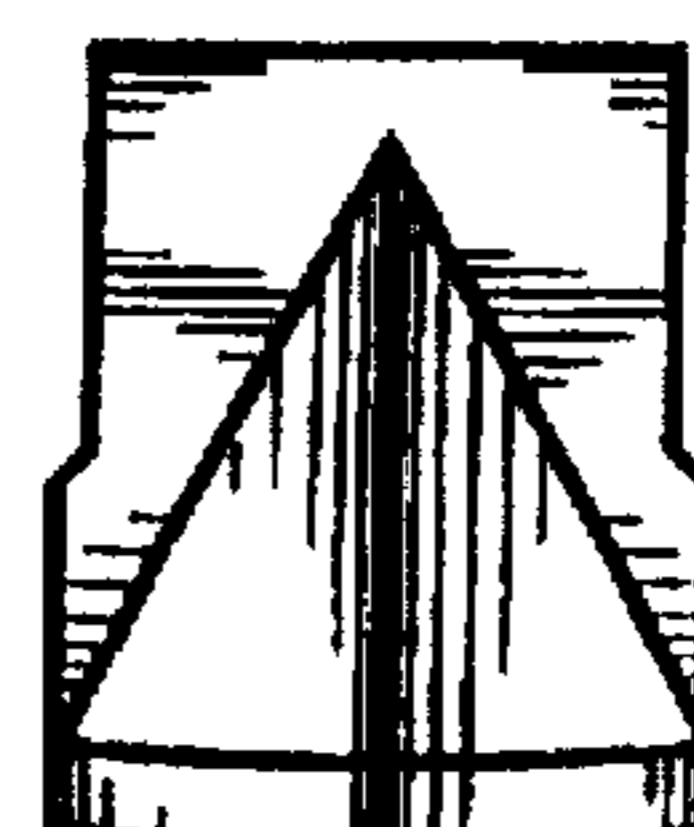


FIG. 5

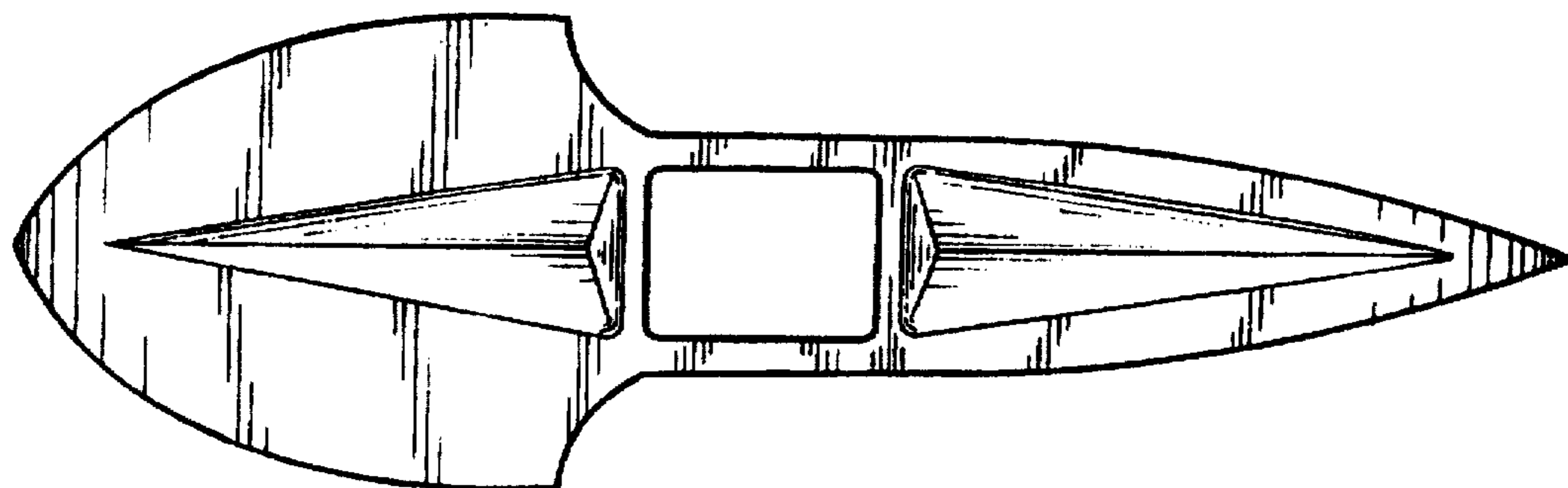


FIG. 6