



US00D390071S

United States Patent [19]

Henry et al.

[11] Patent Number: **Des. 390,071**

[45] Date of Patent: ****Feb. 3, 1998**

[54] **DUCK SHAPED POTATO MASHER**

[75] Inventors: **Louis F. Henry; Bruce Ancona**, both of New York, N.Y.

[73] Assignee: **B. Via International Housewares, Inc.**, Englewood Cliffs, N.J.

[**] Term: **14 Years**

[21] Appl. No.: **61,563**

[22] Filed: **Oct. 25, 1996**

[51] LOC (6) Cl. **07-04**

[52] U.S. Cl. **D7/682; D21/160**

[58] Field of Search **D7/682, 642, 651, D7/654, 656; D21/160; 241/169.2**

[56] **References Cited**

U.S. PATENT DOCUMENTS

- D. 158,818 5/1950 Titensky D7/656 X
- D. 277,496 2/1985 Daugherty D21/160

- D. 291,761 9/1987 Hoehne D7/682
- D. 347,146 5/1994 Harrison D7/656
- D. 347,147 5/1994 Harrison D7/656
- D. 347,148 5/1994 Harrison D7/656
- D. 356,927 4/1995 Brown et al. D7/656

Primary Examiner—Terry A. Wallace
Attorney, Agent, or Firm—Wolf, Greenfield & Sacks, P.C.

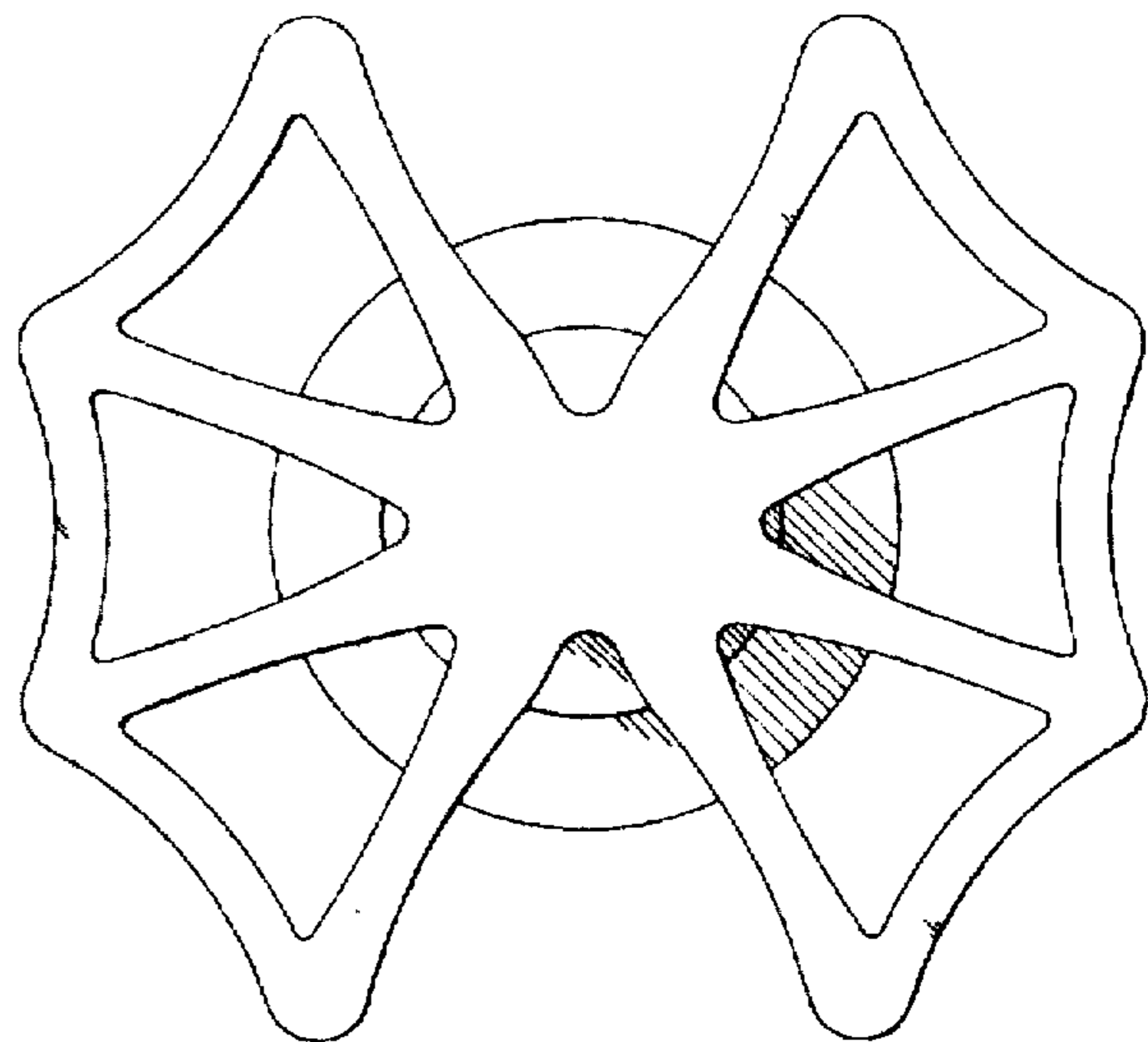
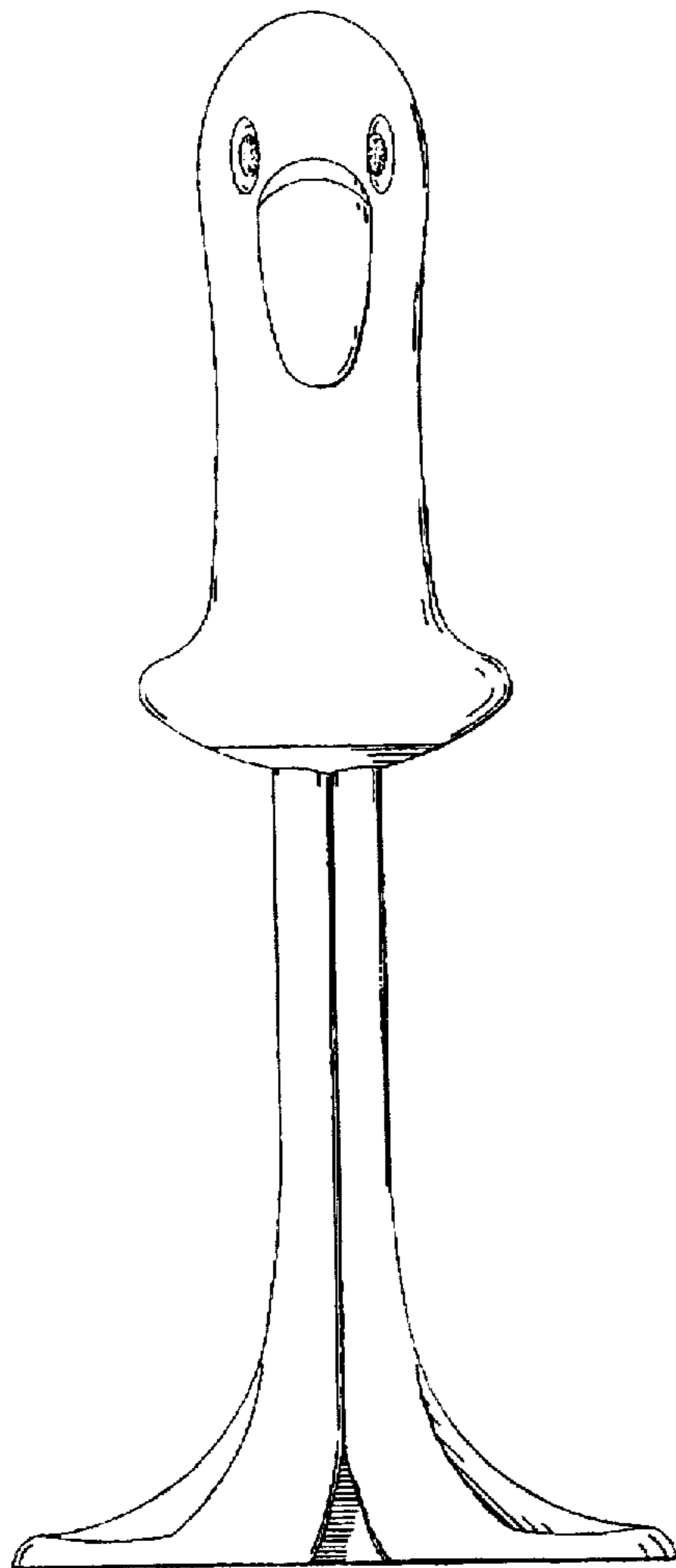
[57] **CLAIM**

The ornamental design for a duck shaped potato masher, as shown and described.

DESCRIPTION

FIG. 1 is a top, side perspective view of a duck shaped potato masher showing our new design;
 FIG. 2 is a front elevation view thereof;
 FIG. 3 is a back elevation view thereof;
 FIG. 4 is a top plan thereof;
 FIG. 5 is a bottom plan thereof;
 FIG. 6 is a left side elevation view thereof; and,
 FIG. 7 is a right side elevation view thereof.

1 Claim, 2 Drawing Sheets



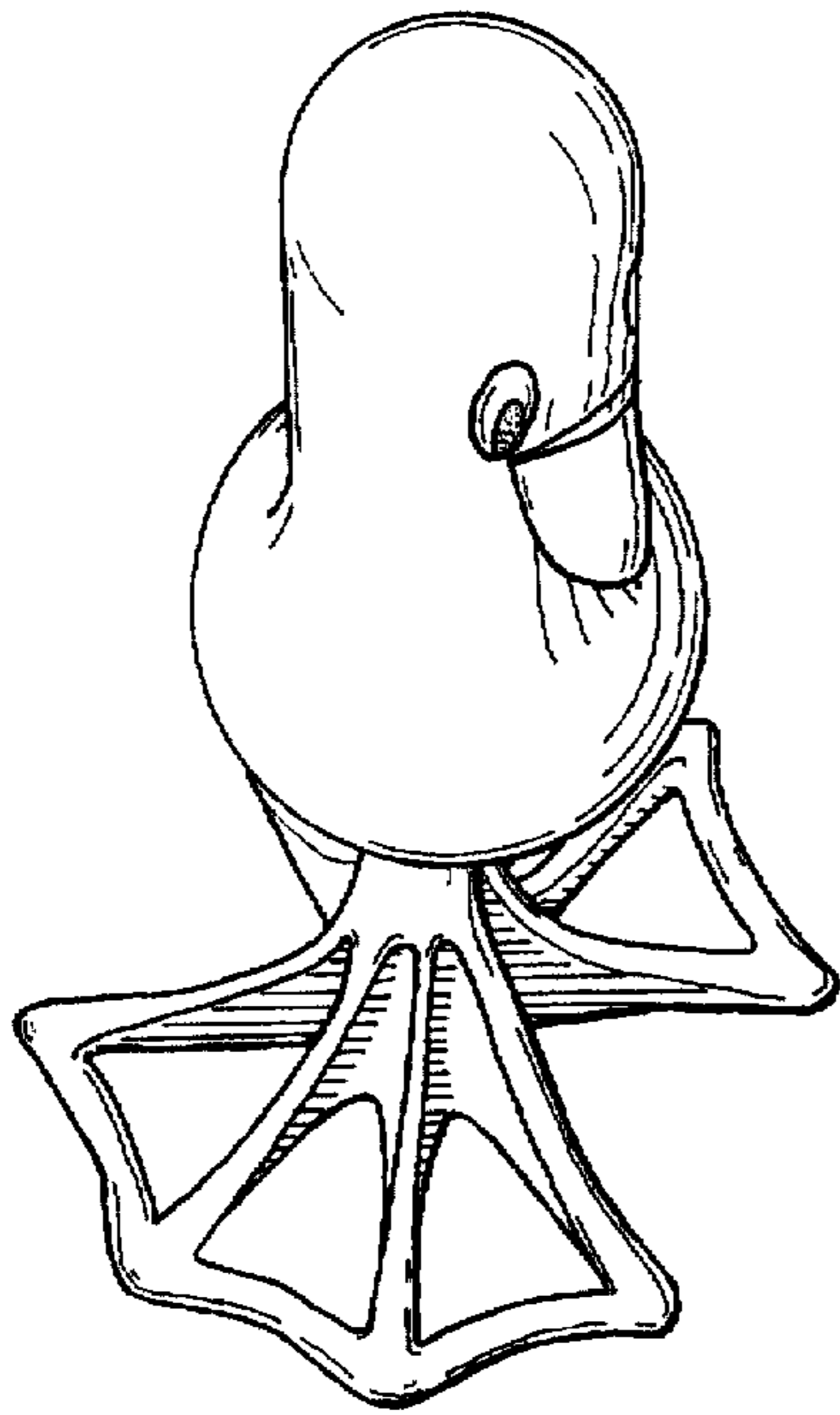


Fig. 1

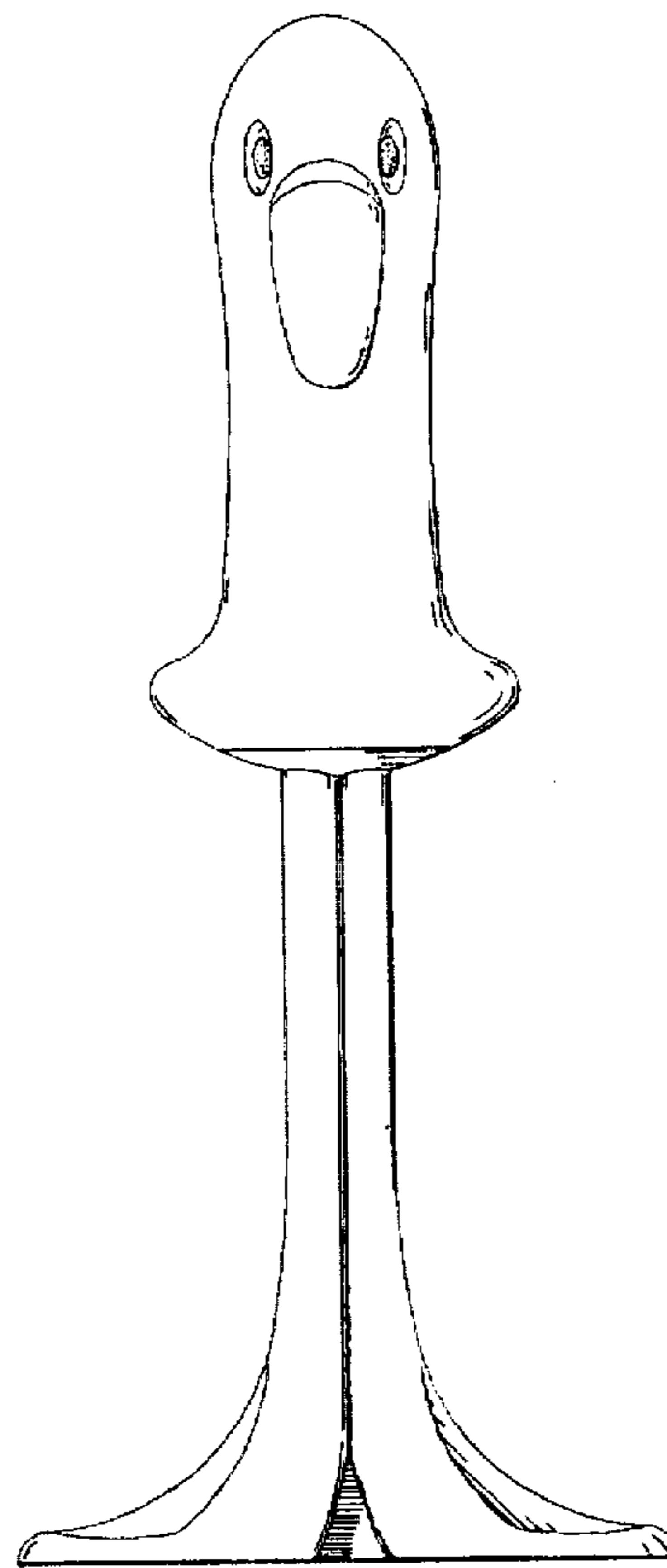


Fig. 2

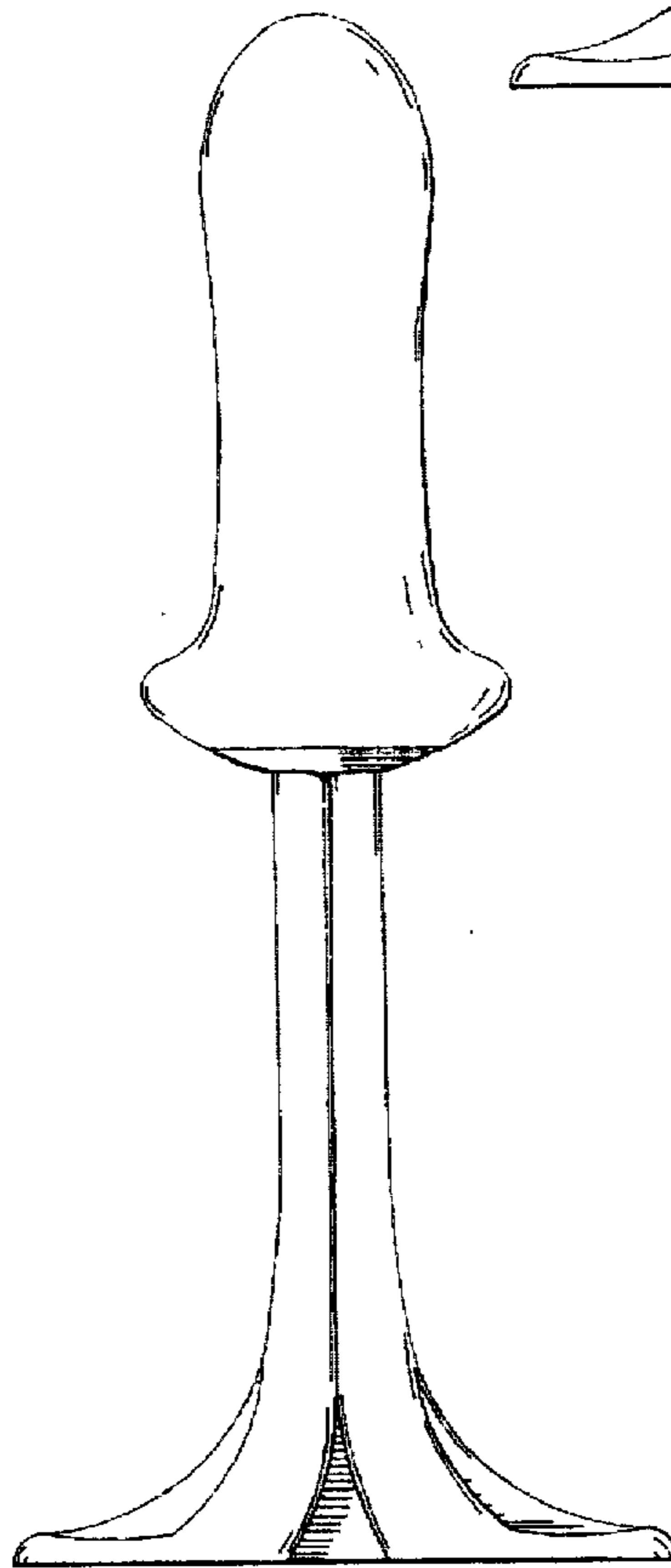


Fig. 3

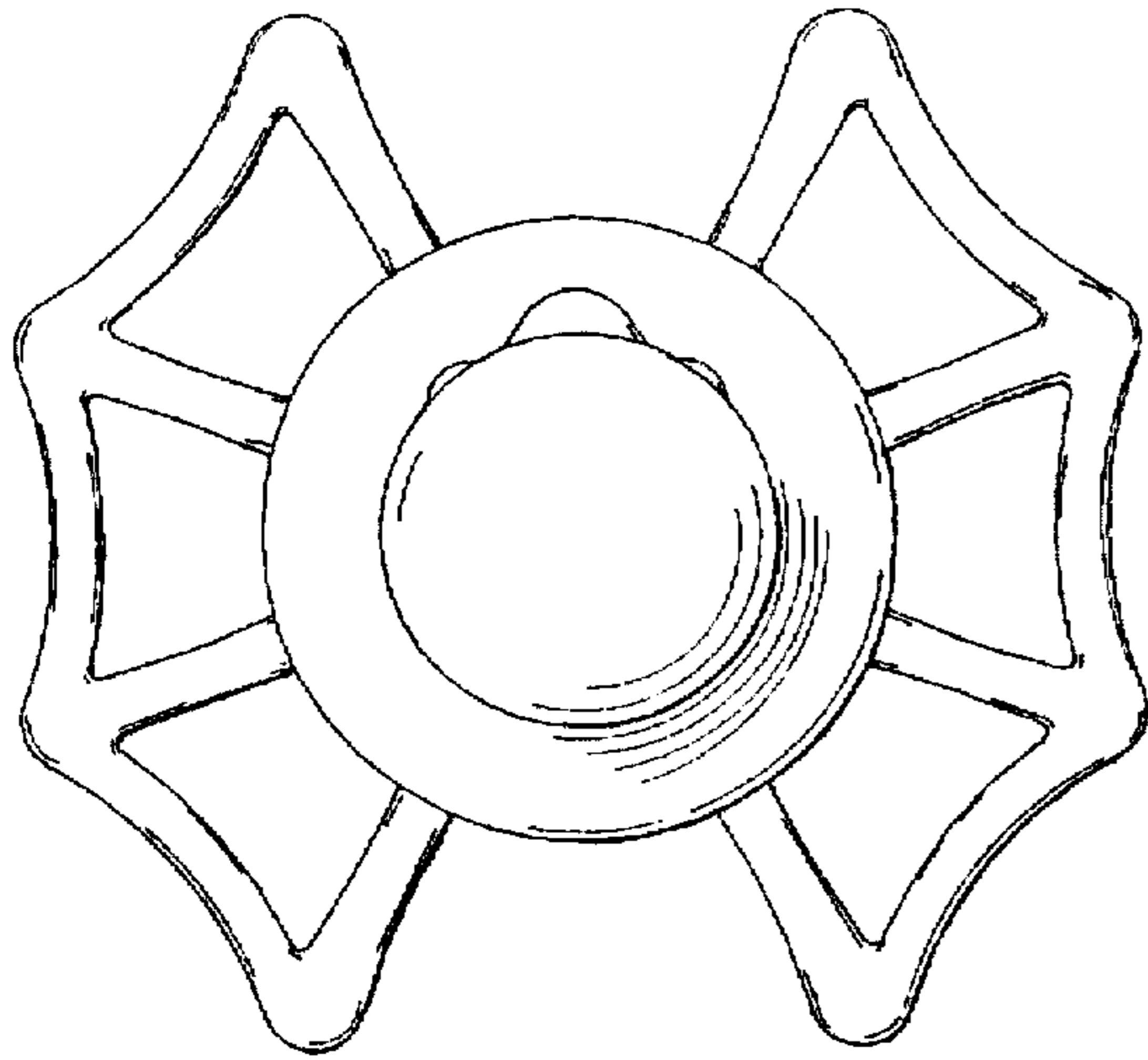


Fig. 4

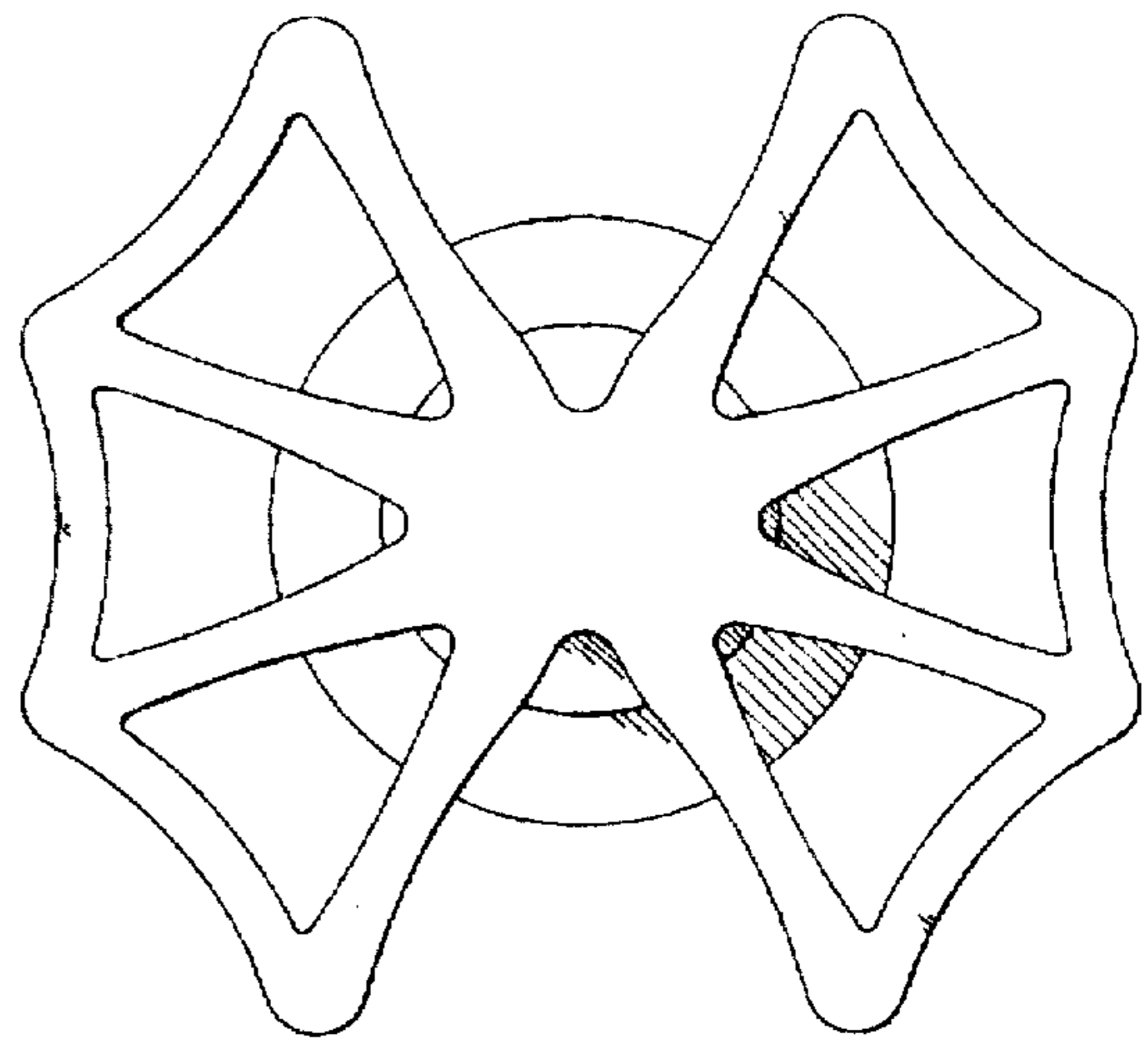


Fig. 5

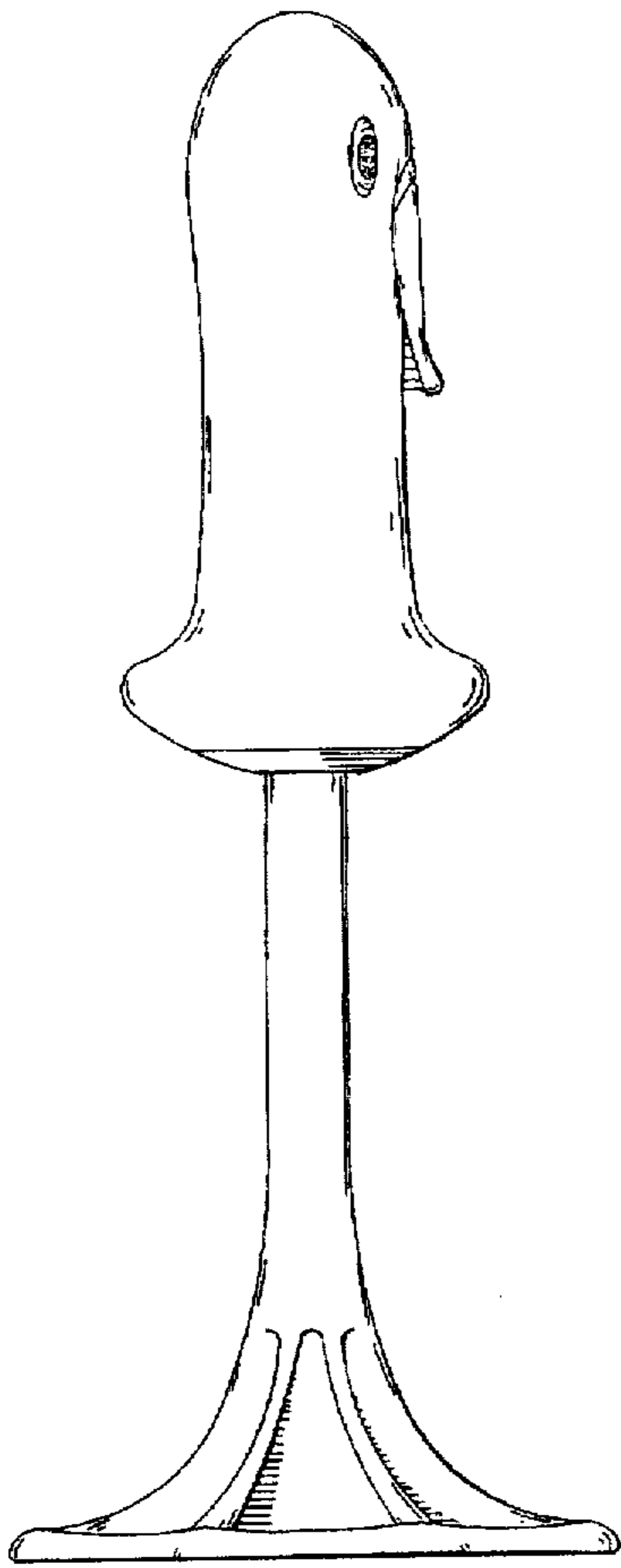


Fig. 6

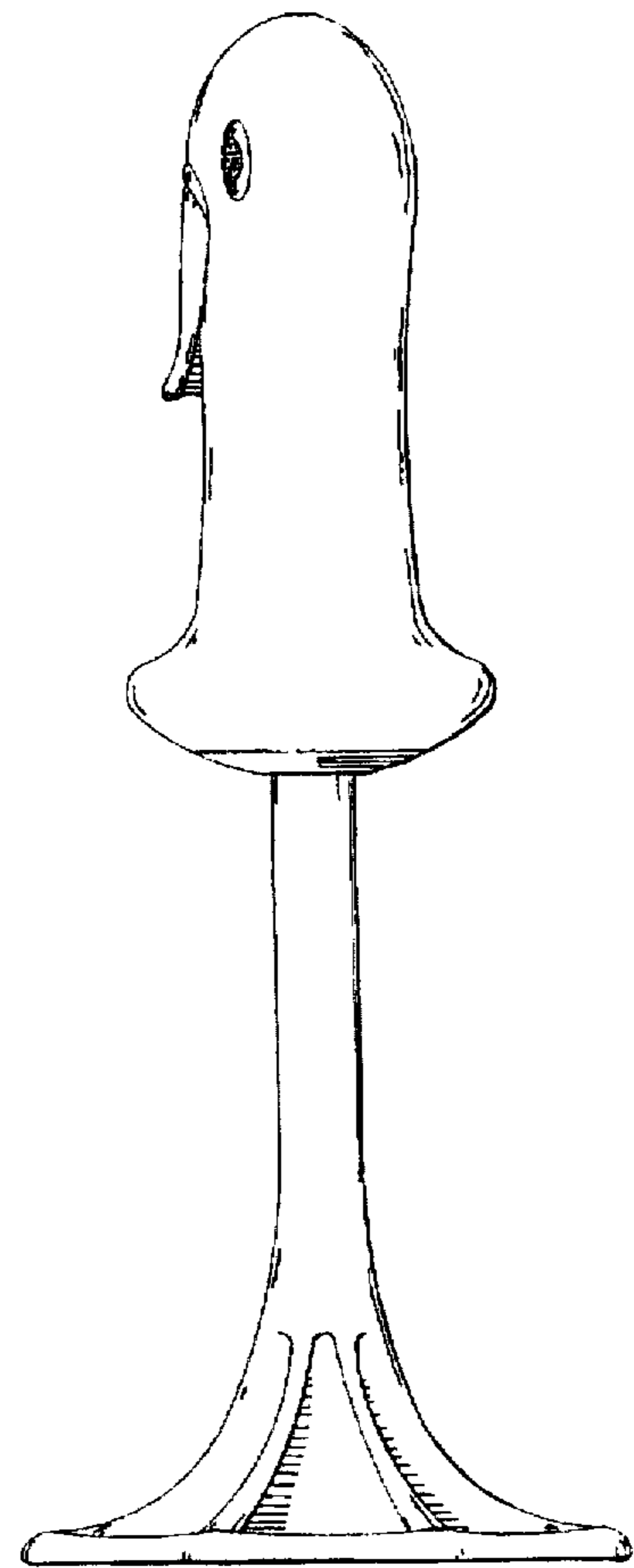


Fig. 7