

US00D390069S

**United States Patent** [19]  
**DeCoster**

[11] **Patent Number:** **Des. 390,069**  
[45] **Date of Patent:** **\*\*Feb. 3, 1998**

[54] **HAND HELD SIFTER**

[75] **Inventor:** **Pieter K.J. DeCoster, Aalst, Belgium**

[73] **Assignee:** **Dart Industries Inc., Orlando, Fla.**

[\*\*] **Term:** **14 Years**

[21] **Appl. No.:** **59,036**

[22] **Filed:** **Aug. 30, 1996**

[51] **LOC (6) Cl.** ..... **07-04**

[52] **U.S. Cl.** ..... **D7/668**

[58] **Field of Search** ..... **D7/667, 668; 209/236,**  
**209/282, 357, 374**

[56] **References Cited**

**U.S. PATENT DOCUMENTS**

2,592,850	4/1952	Barbery .	
2,607,491	8/1952	Dennis .....	209/357
3,415,376	12/1968	Smith et al. .	
4,136,022	1/1979	Hutzler et al. .	
4,534,858	8/1985	Aldizich et al. ....	209/236

**FOREIGN PATENT DOCUMENTS**

1020517 12/1957 Germany .

*Primary Examiner*—Terry A. Wallace  
*Attorney, Agent, or Firm*—John A. Doninger

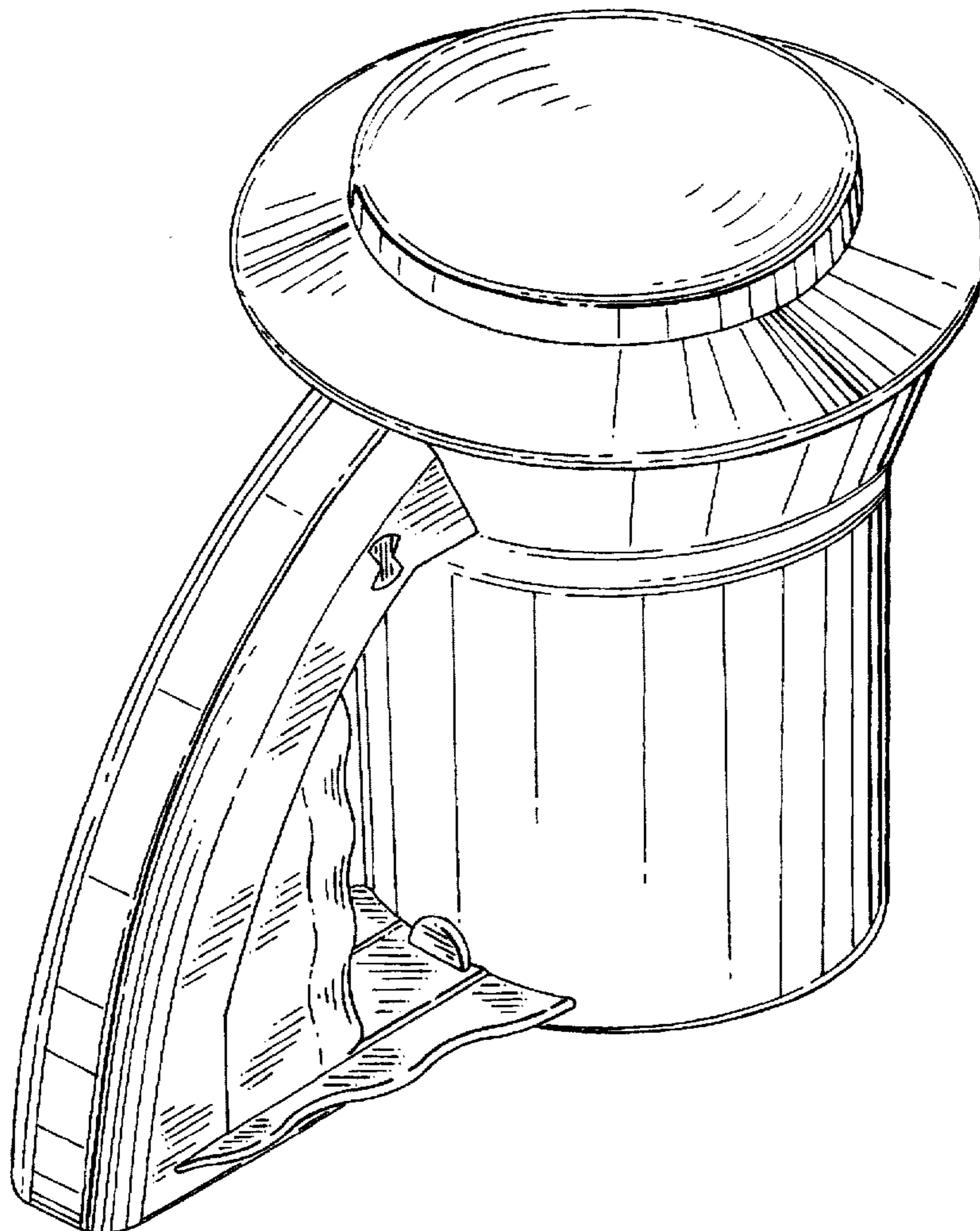
[57] **CLAIM**

The ornamental design for a hand held sifter, as shown and described.

**DESCRIPTION**

FIG. 1 is a top and side perspective of a hand held sifter showing my new design;  
FIG. 2 is a perspective view thereof with the cover exploded;  
FIG. 3 is a top plan view thereof;  
FIG. 4 is a bottom plan view thereof;  
FIG. 5 is a right side view thereof;  
FIG. 6 is a left side view thereof;  
FIG. 7 is a rear elevation view thereof; and,  
FIG. 8 is a front elevation view thereof.

**1 Claim, 5 Drawing Sheets**



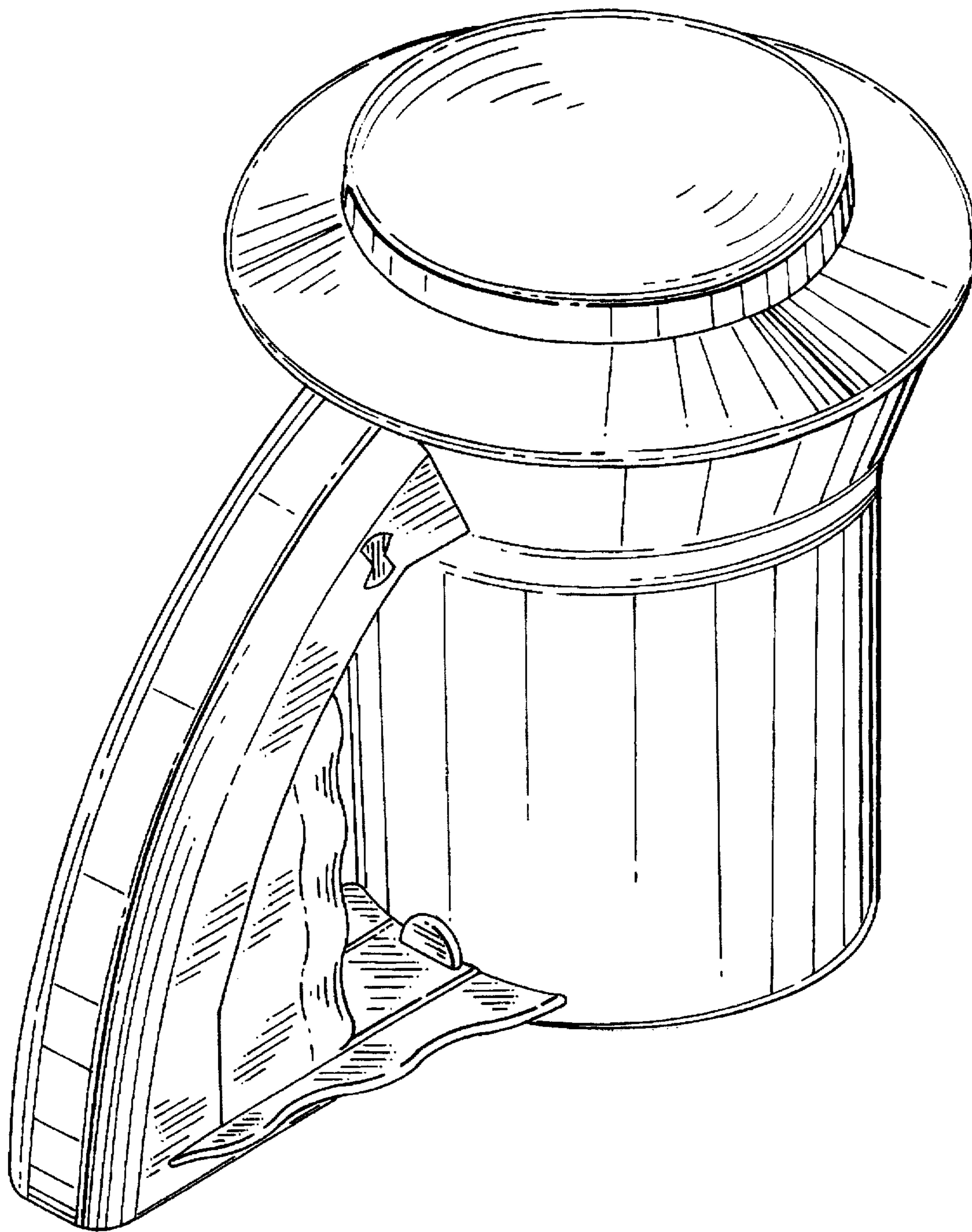


FIG. 1

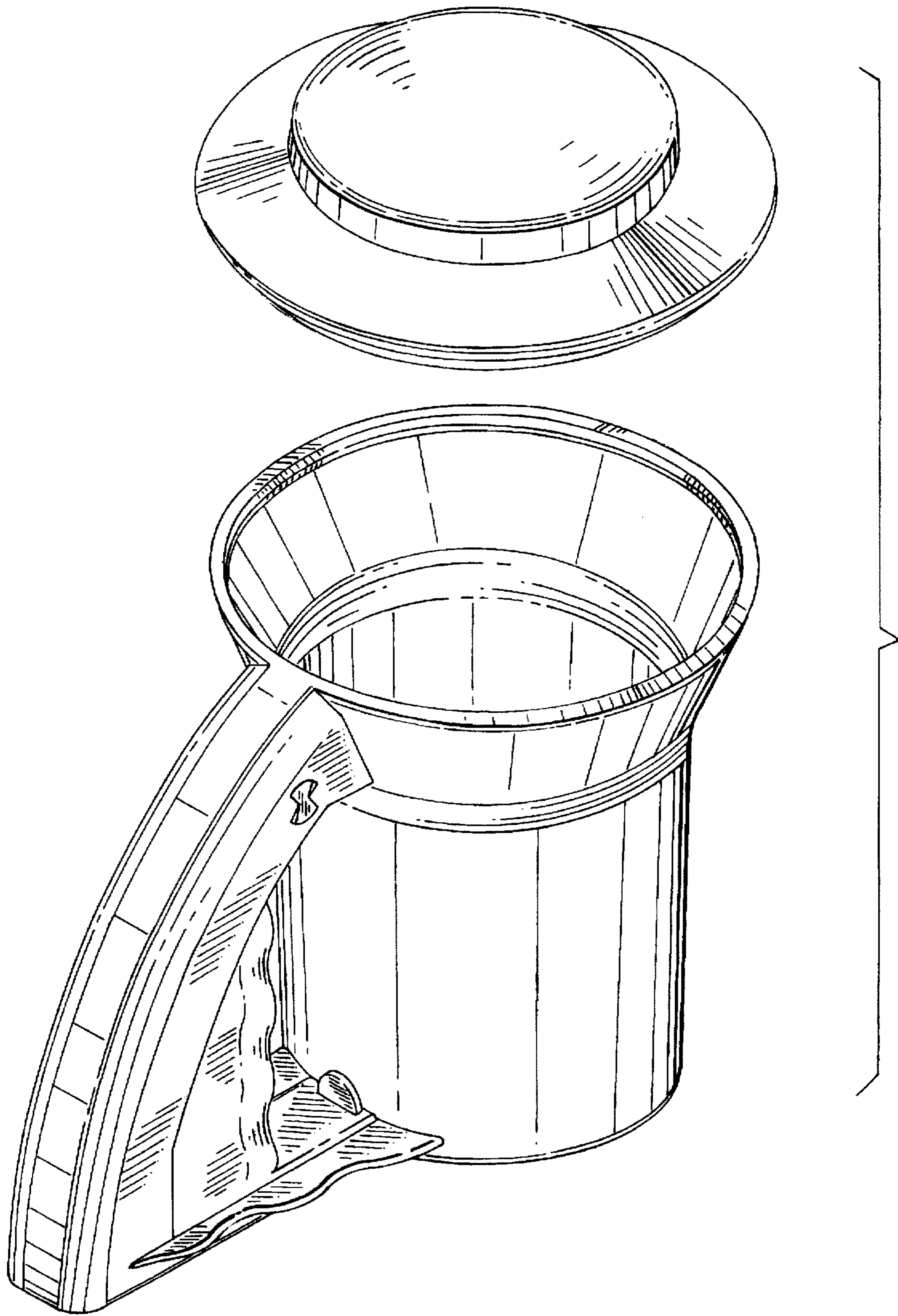


FIG. 2

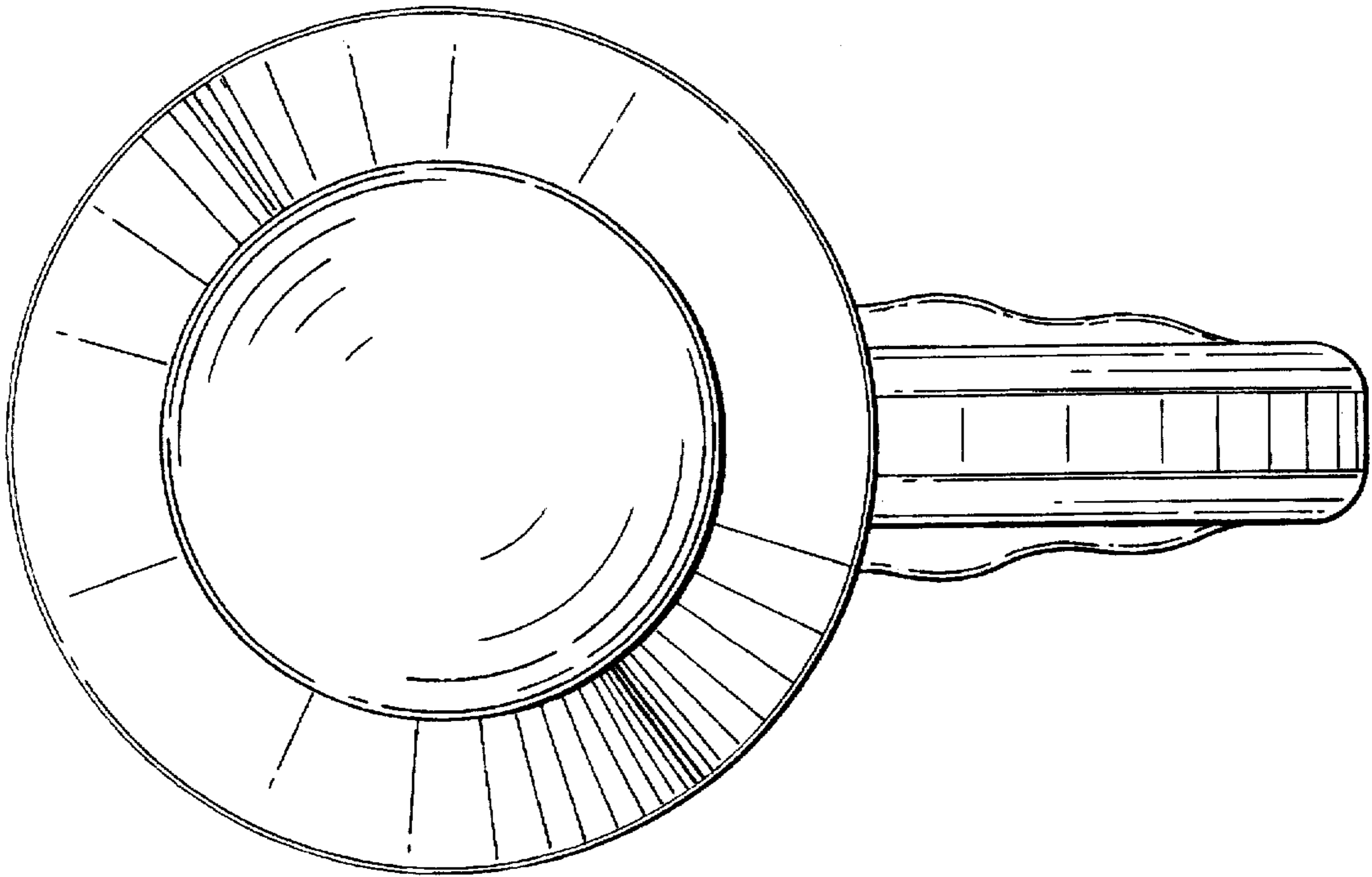


FIG. 3

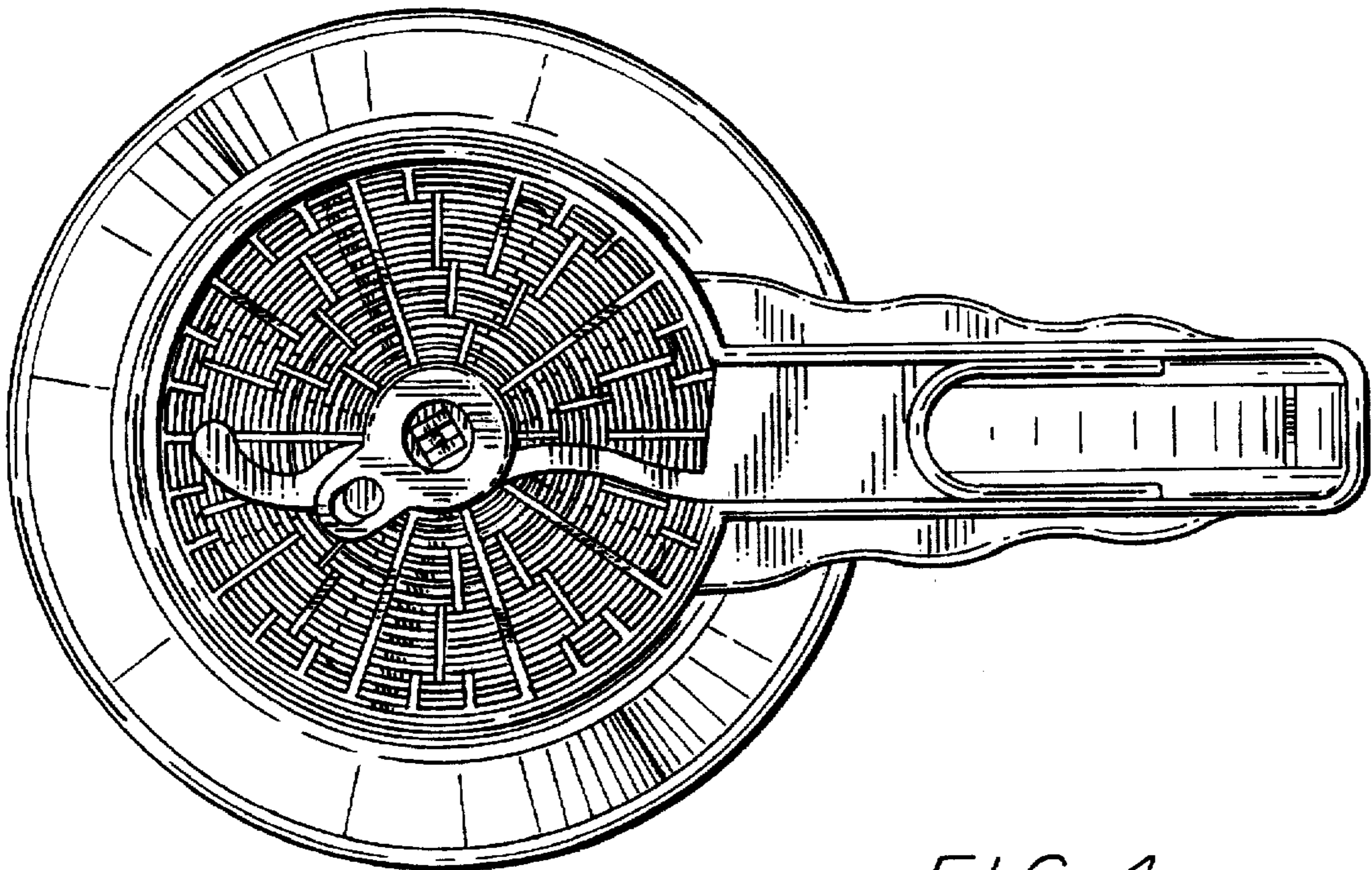


FIG. 4

FIG. 5

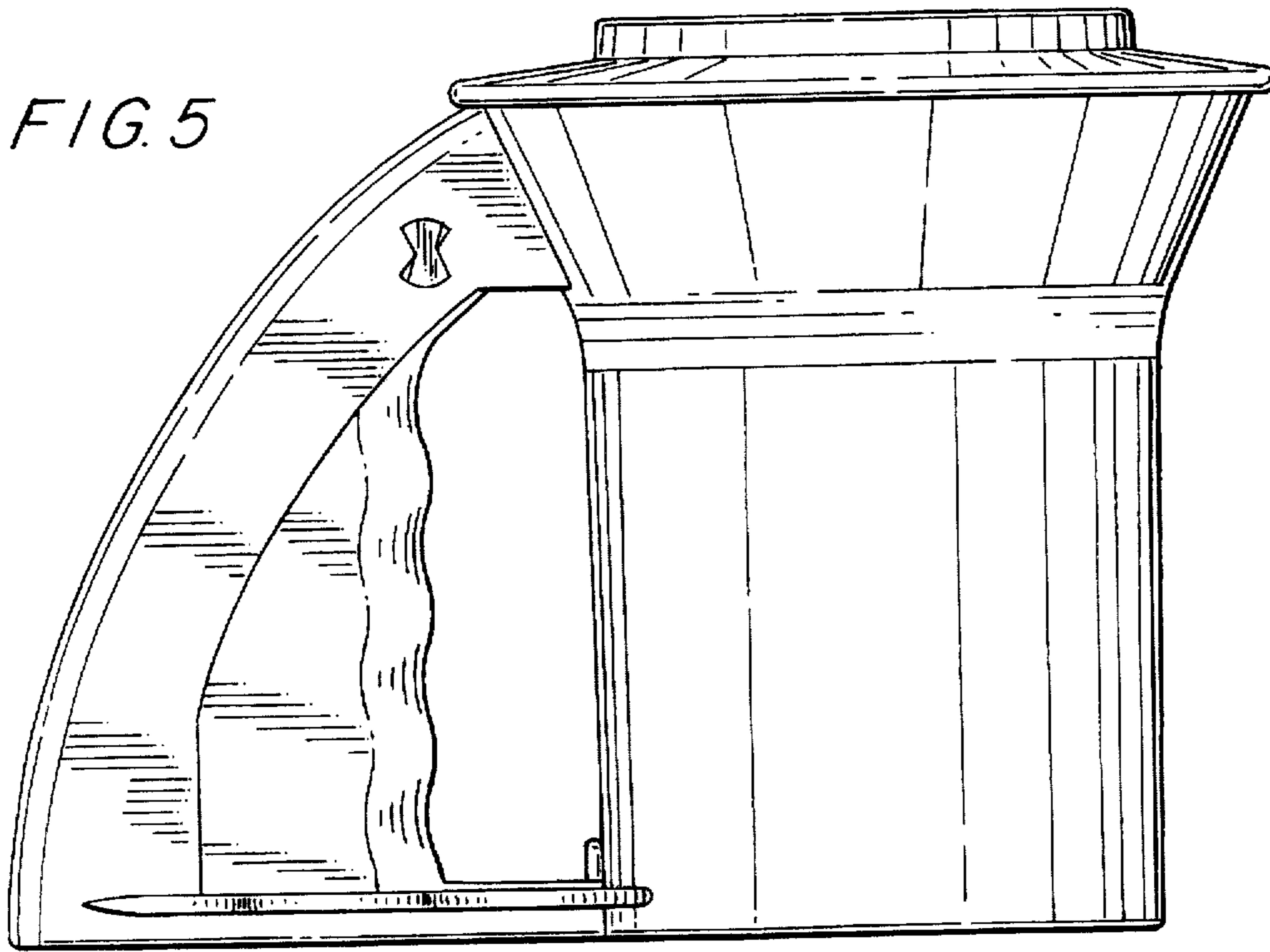
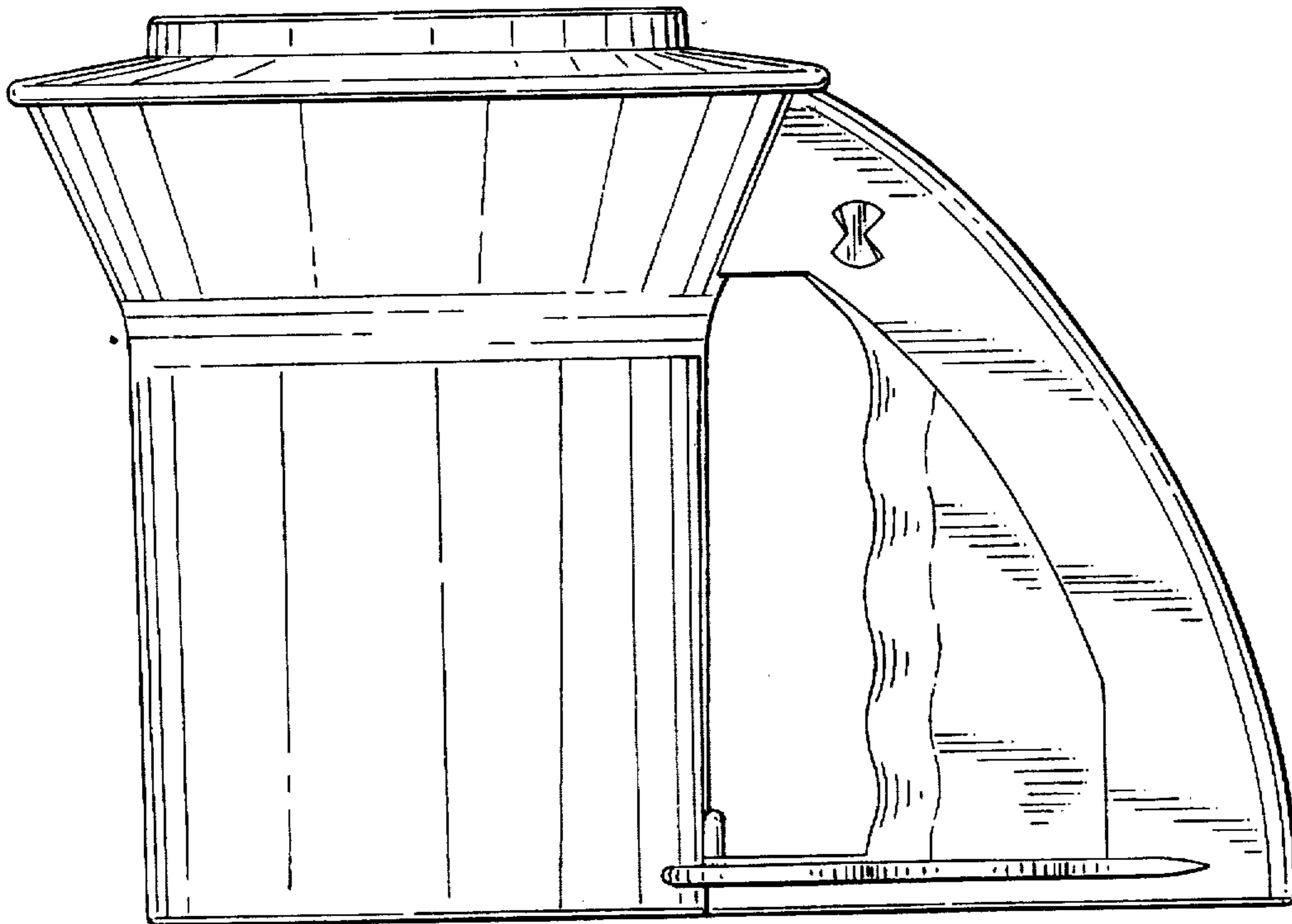


FIG. 6



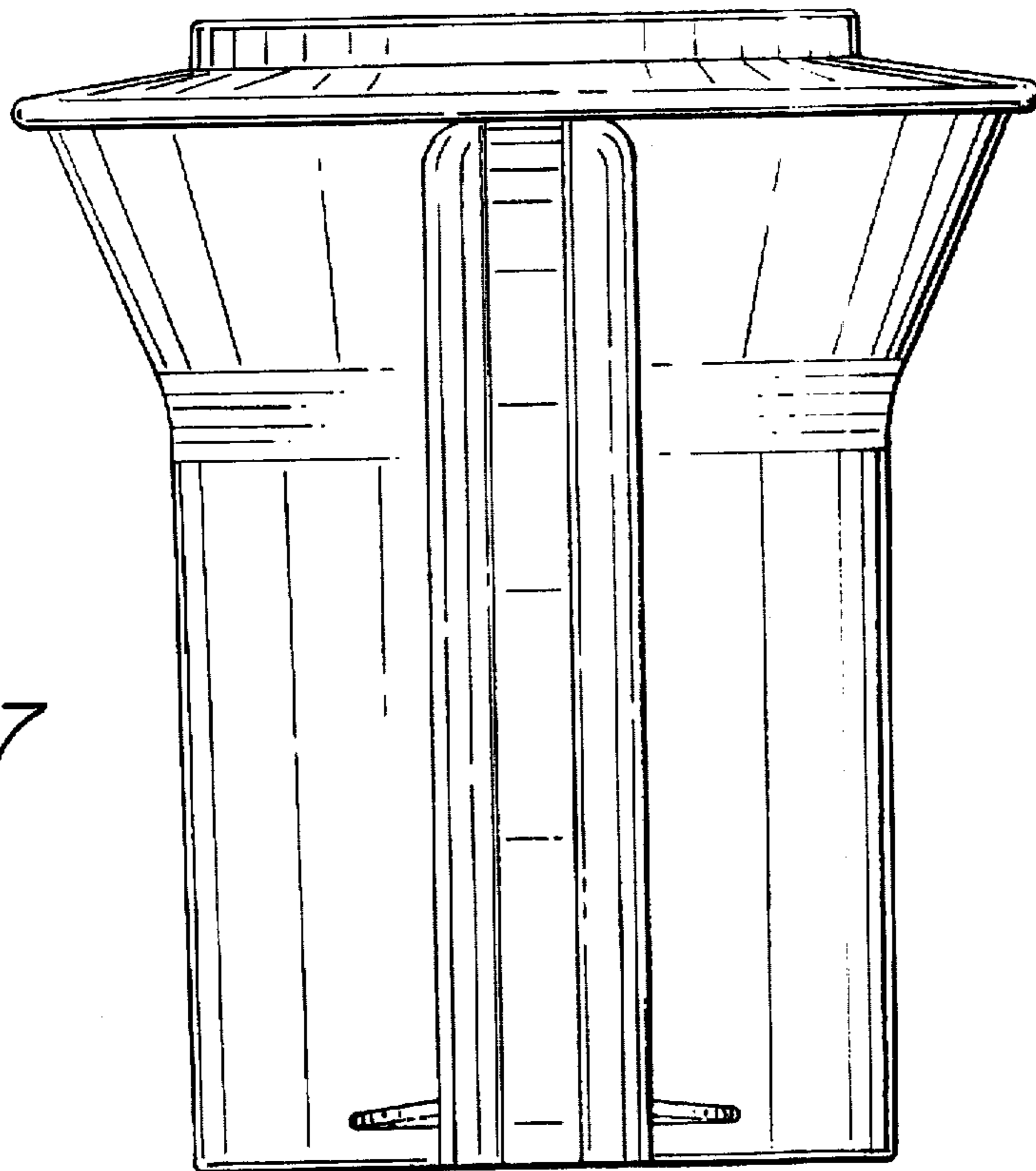


FIG. 7

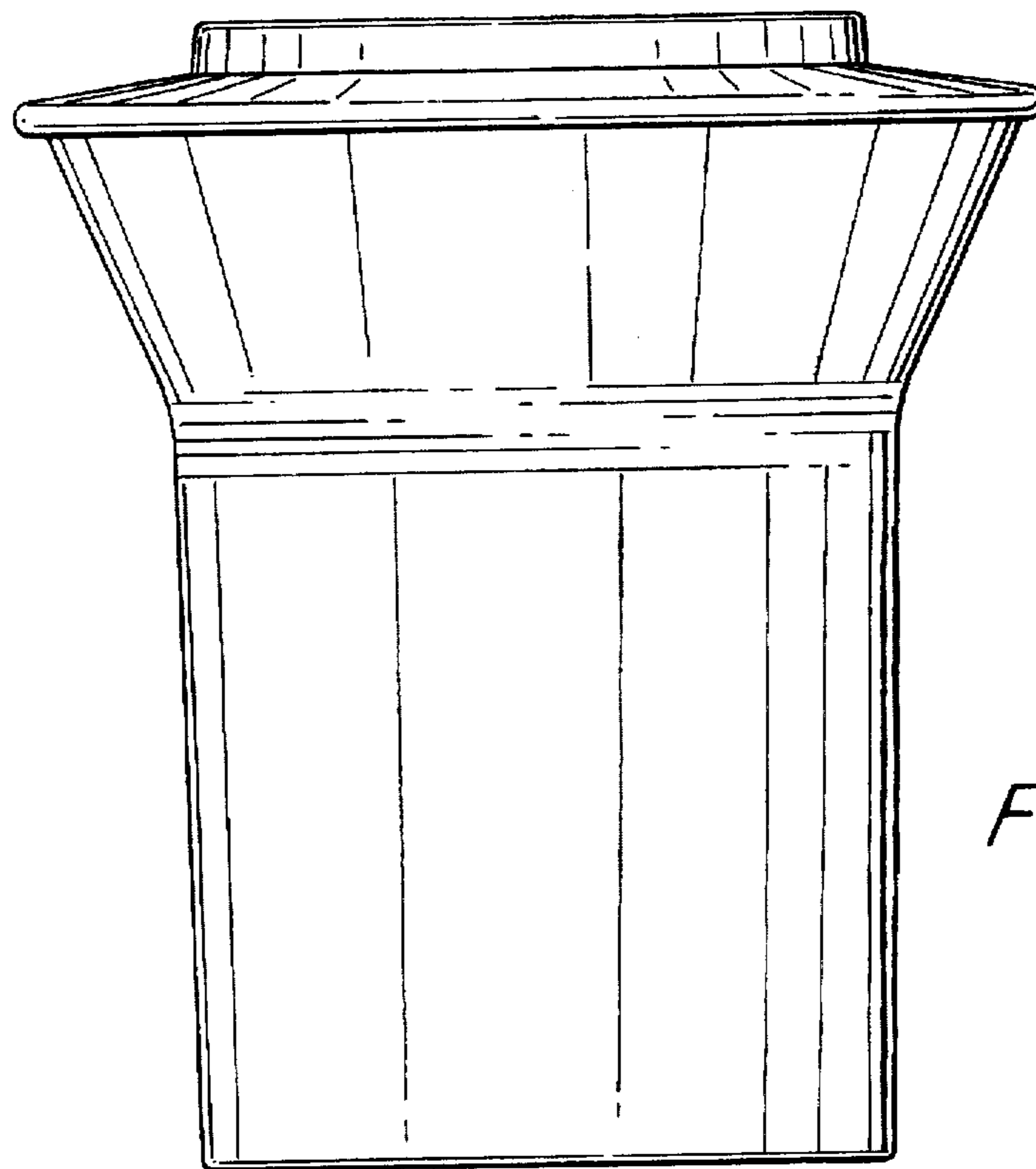


FIG. 8