



US00D390059S

United States Patent [19]
Saito

[11] **Patent Number:** **Des. 390,059**
[45] **Date of Patent:** ****Feb. 3, 1998**

[54] **BEVERAGE FEEDING MACHINE**

[75] **Inventor:** **Yoshikazu Saito, Higashimatsuyama, Japan**

[73] **Assignee:** **Sanyo Electric Co., Ltd., Osaka-fu, Japan**

[**] **Term:** **14 Years**

[21] **Appl. No.:** **69,075**

[22] **Filed:** **Mar. 24, 1997**

[30] **Foreign Application Priority Data**

Sep. 26, 1996 [JP] Japan 8-29147

[51] **LOC (6) Cl.** **07-01**

[52] **U.S. Cl.** **D7/308; D7/307**

[58] **Field of Search** **D7/308, 300, 307, D7/306, 312, 322; 222/129.1, 129.3**

[56] **References Cited**

U.S. PATENT DOCUMENTS

D. 194,420 1/1963 Cornelius D7/308

D. 195,811	8/1963	Hodgeman	D7/308
D. 218,083	7/1970	Hartley	D7/308
D. 311,844	11/1990	Chase et al.	D7/308
D. 324,795	3/1992	Hoover et al.	D7/308
D. 333,405	2/1993	Moyer, Jr. et al.	D7/308
D. 353,740	12/1994	Gilstrap	D7/307
D. 361,239	8/1995	Di Santo	D7/308

Primary Examiner—M. N. Pandozzi
Attorney, Agent, or Firm—Darby & Darby

[57] **CLAIM**

The ornamental design for a beverage feeding machine, as shown.

DESCRIPTION

FIG. 1 is a top, front and right side view of my new design for a beverage feeding machine;
FIG. 2 is a front view thereof;
FIG. 3 is a top plan view thereof;
FIG. 4 is a left side elevational view thereof;
FIG. 5 is a right side elevational view thereof;
FIG. 6 is a bottom view thereof; and,
FIG. 7 is a rear elevational view thereof.

1 Claim, 3 Drawing Sheets

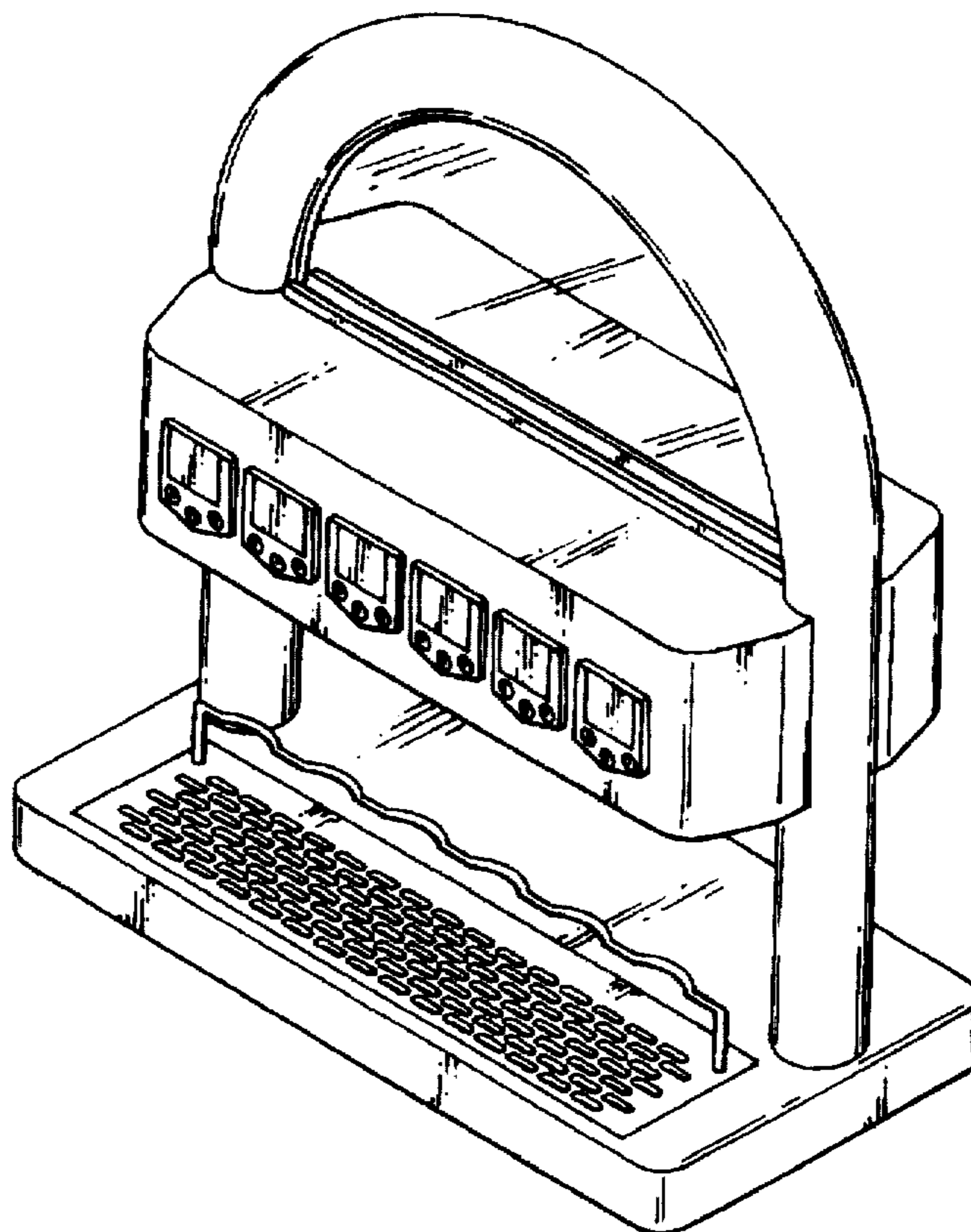


FIG. 1

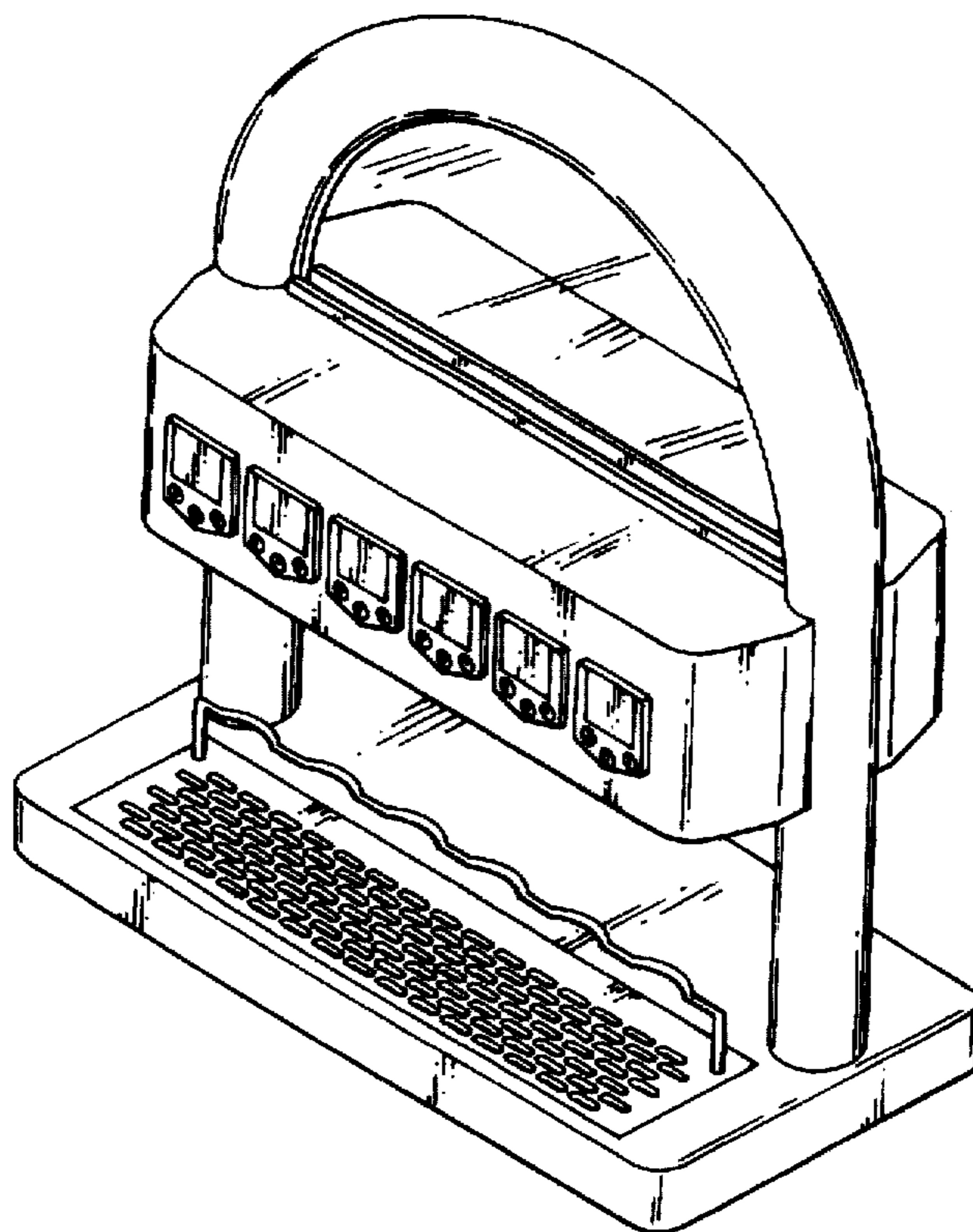


FIG. 2

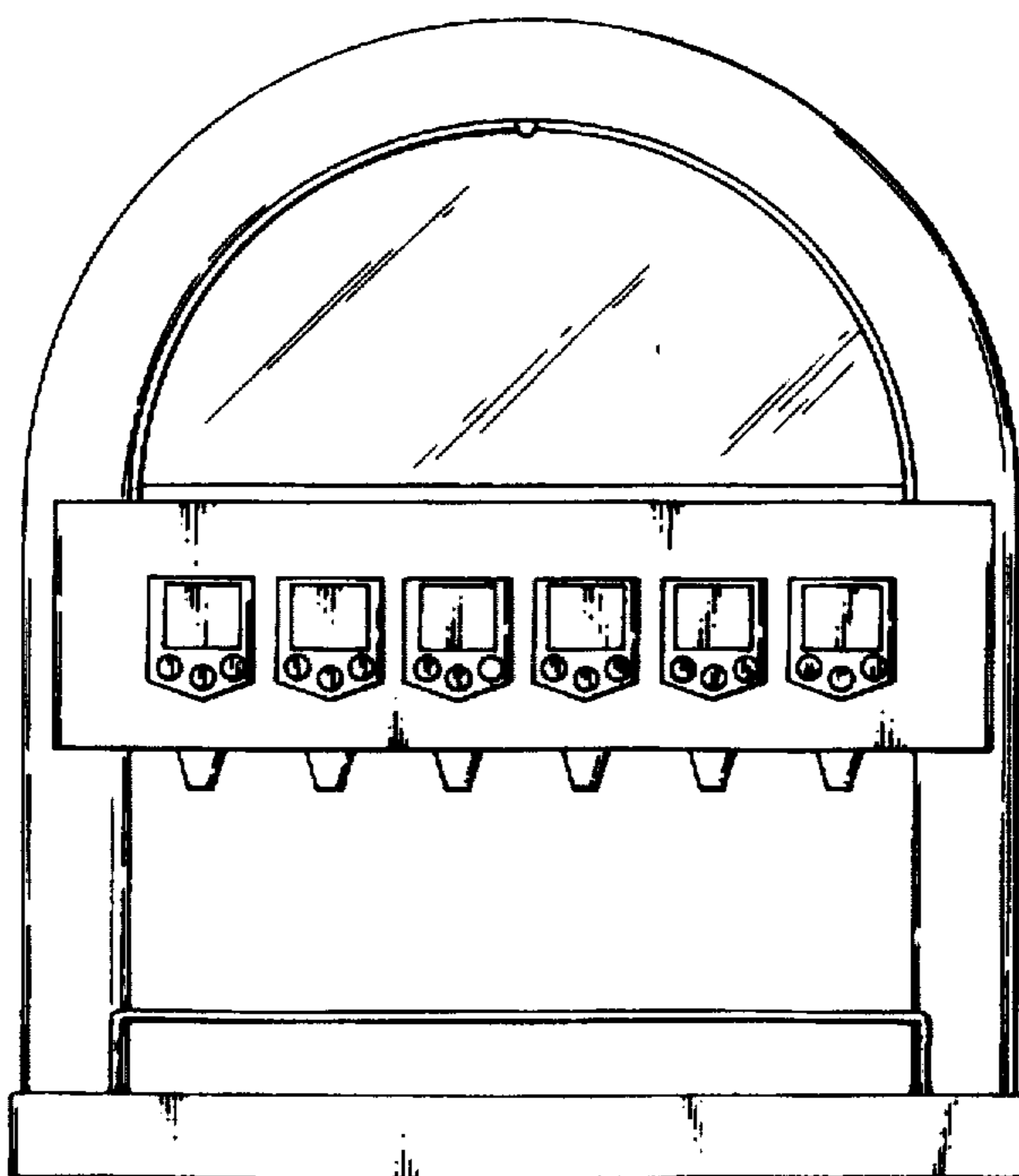


FIG. 3

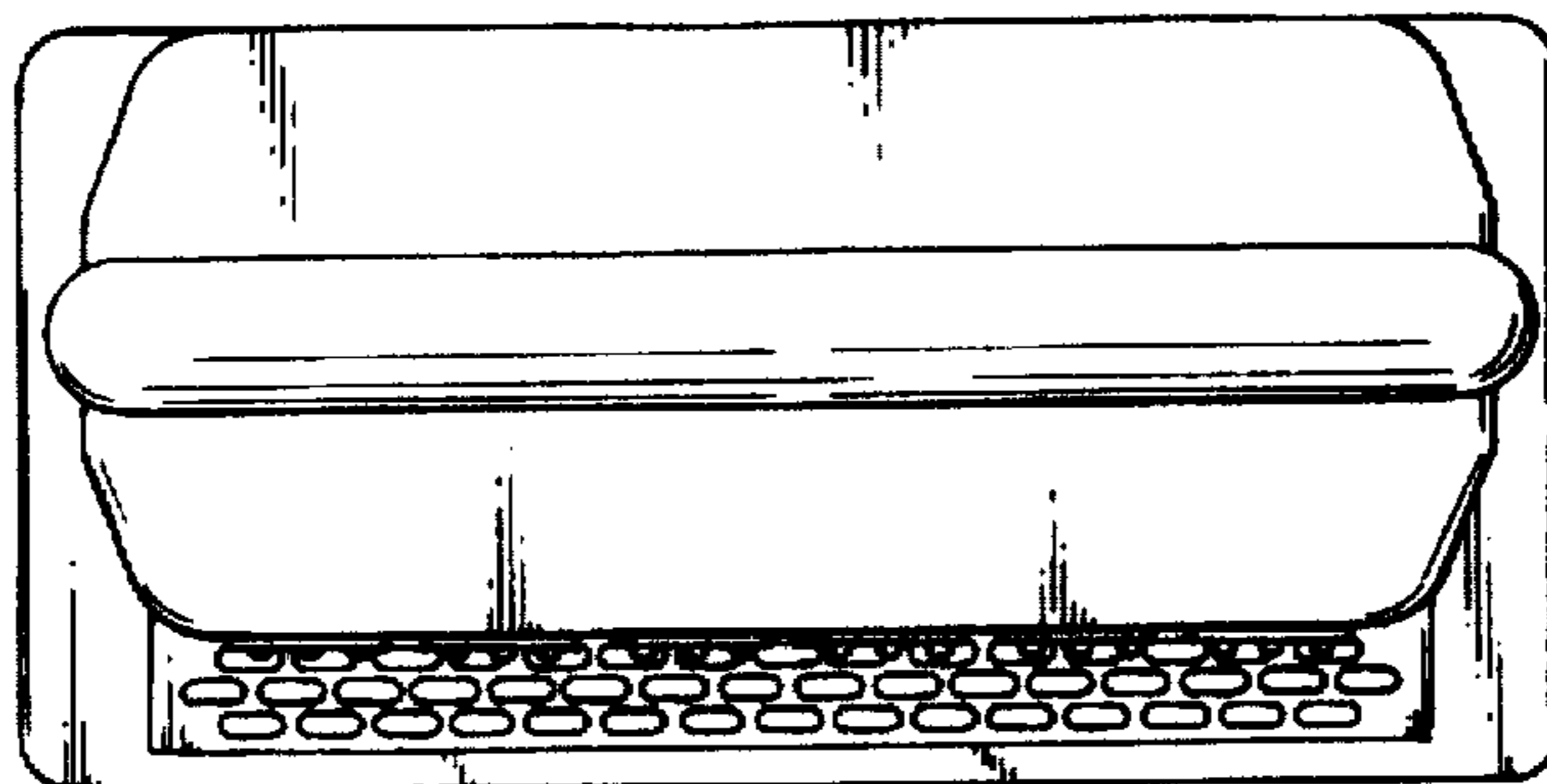


FIG. 4

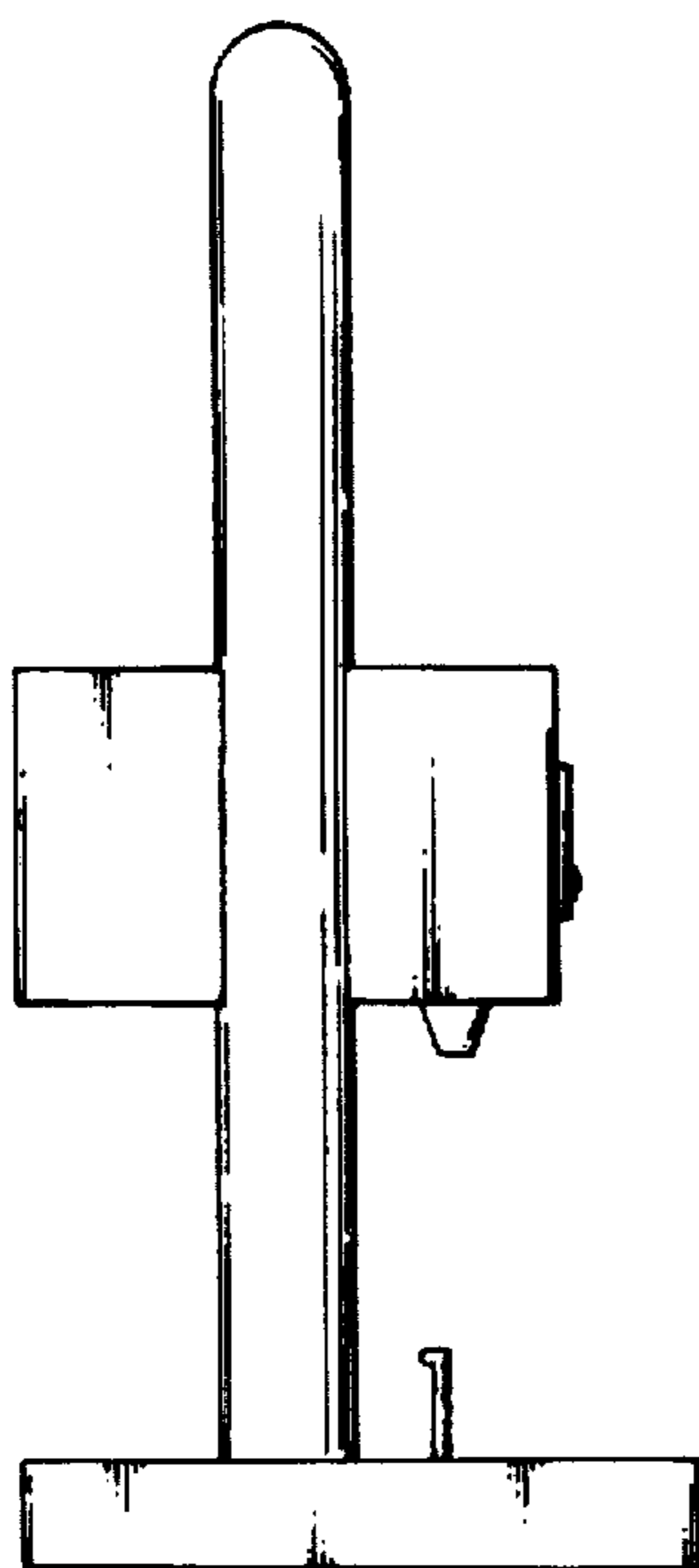


FIG. 5

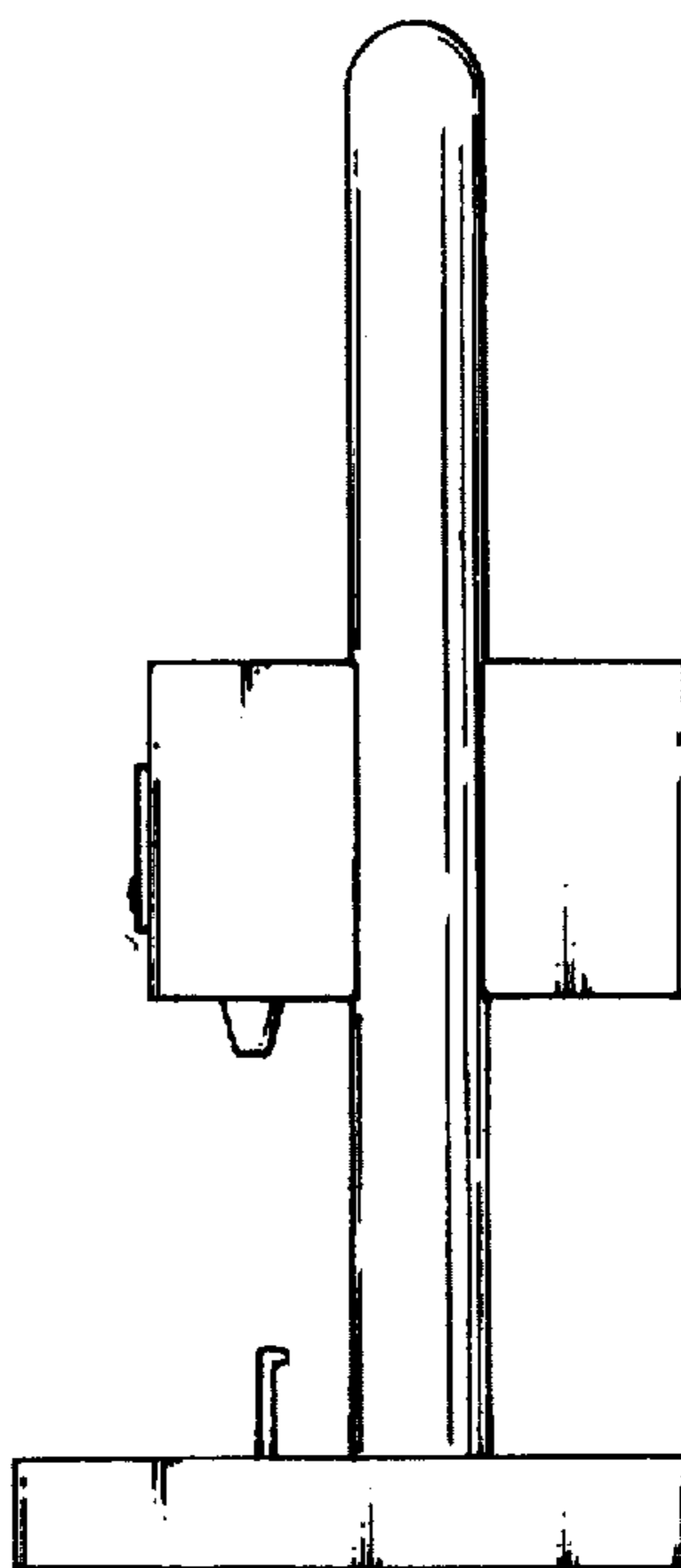


FIG. 6

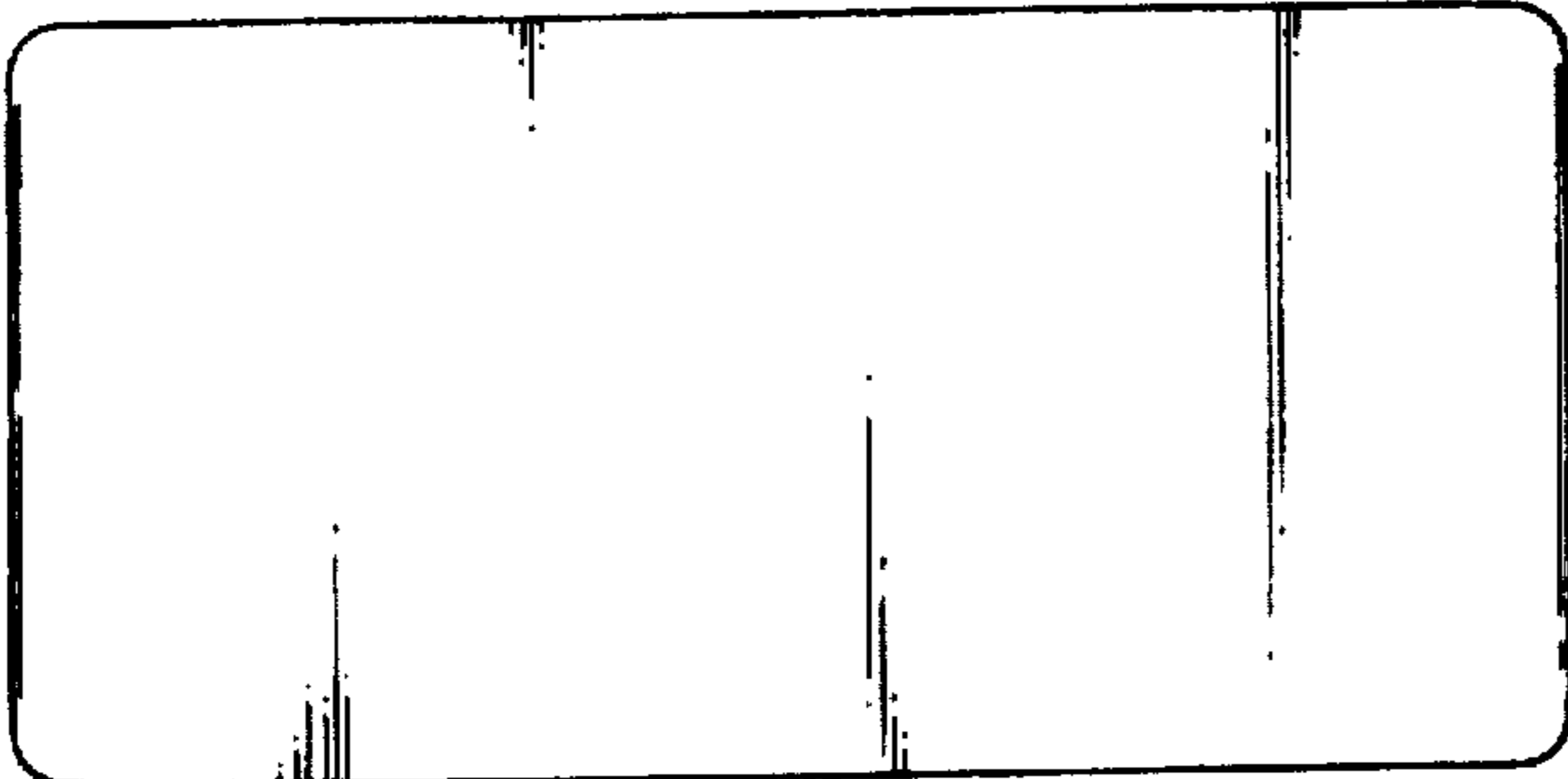


FIG. 7

