



US00D390052S

# United States Patent [19]

Wolff

[11] Patent Number: **Des. 390,052**

[45] Date of Patent: **\*\*Feb. 3, 1998**

[54] **PUSHER TRAY**

[76] Inventor: **Stephen H. Wolff**, 35 W. 35th St., New York, N.Y. 10001

[\*\*] Term: **14 Years**

[21] Appl. No.: **70,843**

[22] Filed: **May 16, 1997**

[51] LOC (6) Cl. .... **06-04**

[52] U.S. Cl. .... **D6/510; D6/408**

[58] Field of Search ..... D6/449, 407, 462, D6/408, 466, 510, 467, 470, 627, 475, 476; D3/313, 304; 206/307, 387.1, 387.12, 769-772, 774, 387.15; 211/40, 41.14, 50, 41.1, 41.11, 41.12; D9/341, 432, 418; 312/114, 9.1, 9.64, 9.9, 117; D19/75, 76, 90

[56] **References Cited**

**U.S. PATENT DOCUMENTS**

- D. 263,538 3/1982 Briggs et al. .... D6/510
- D. 281,477 11/1985 Neff ..... D6/449 X
- D. 333,052 2/1993 Bumb ..... D6/476
- D. 351,957 11/1994 Bumb ..... D6/475

- D. 378,533 3/1997 Wolff ..... D6/510 X
- 4,369,887 1/1983 Emery ..... 211/59.3

*Primary Examiner*—James Gandy  
*Assistant Examiner*—Linda Brooks  
*Attorney, Agent, or Firm*—Lerner, David, Littenberg, Krumholz & Mentlik

[57] **CLAIM**

The ornamental design for a pusher tray, as shown and described.

**DESCRIPTION**

FIG. 1 is a front perspective view of the pusher tray in accordance with the present invention, with boxes shown in broken lines for purposes of illustration only and forming no part of the claimed design;  
 FIG. 2 is a front elevational view thereof;  
 FIG. 3 is a rear elevational view thereof;  
 FIG. 4 is a right side elevational view thereof, with the sliding element positioned towards the front;  
 FIG. 5 is a left side elevational view of FIG. 4;  
 FIG. 6 is a top plan view of FIG. 4; and,  
 FIG. 7 is a bottom plan view of FIG. 4.

**1 Claim, 3 Drawing Sheets**

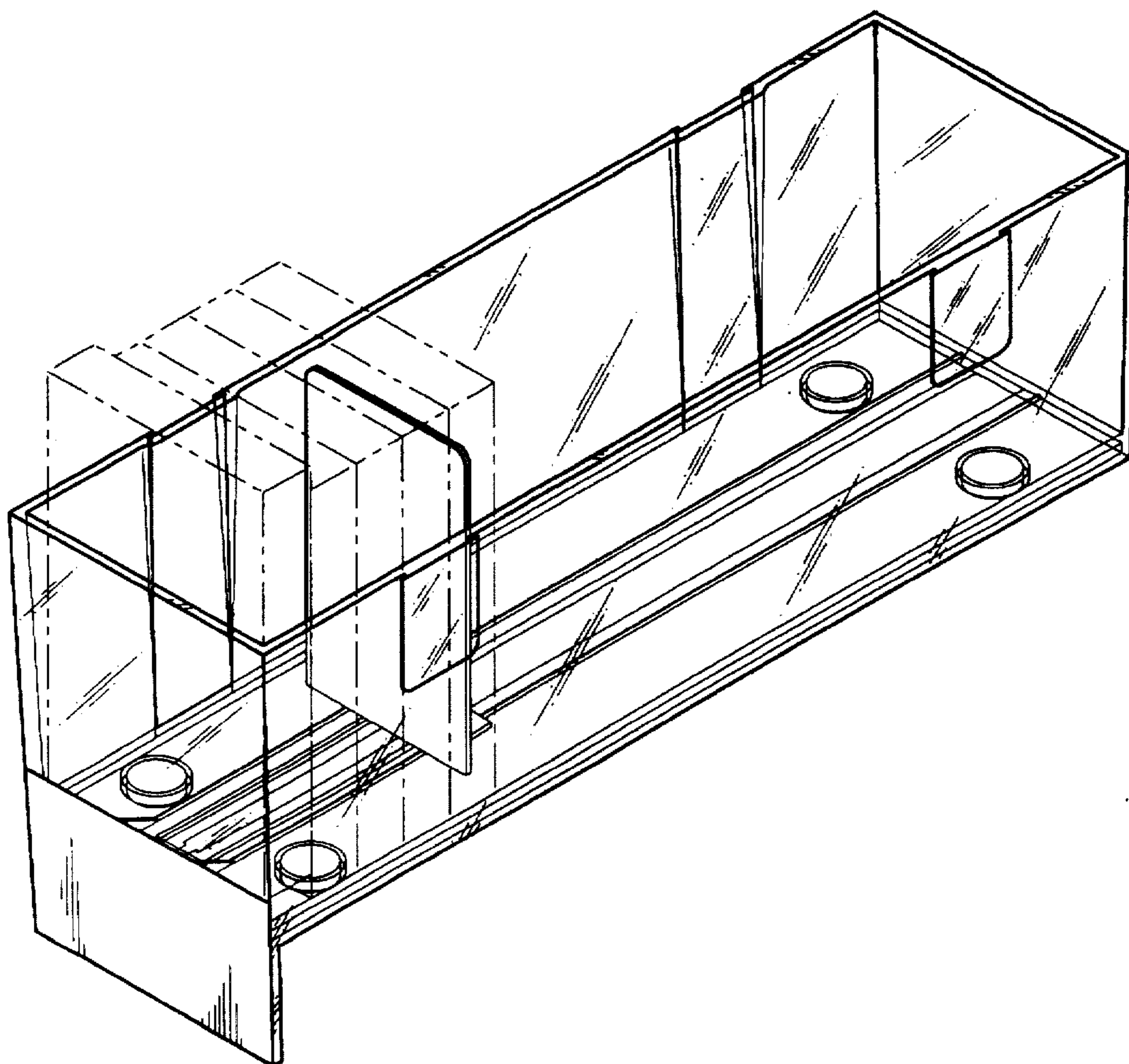


FIG. 1

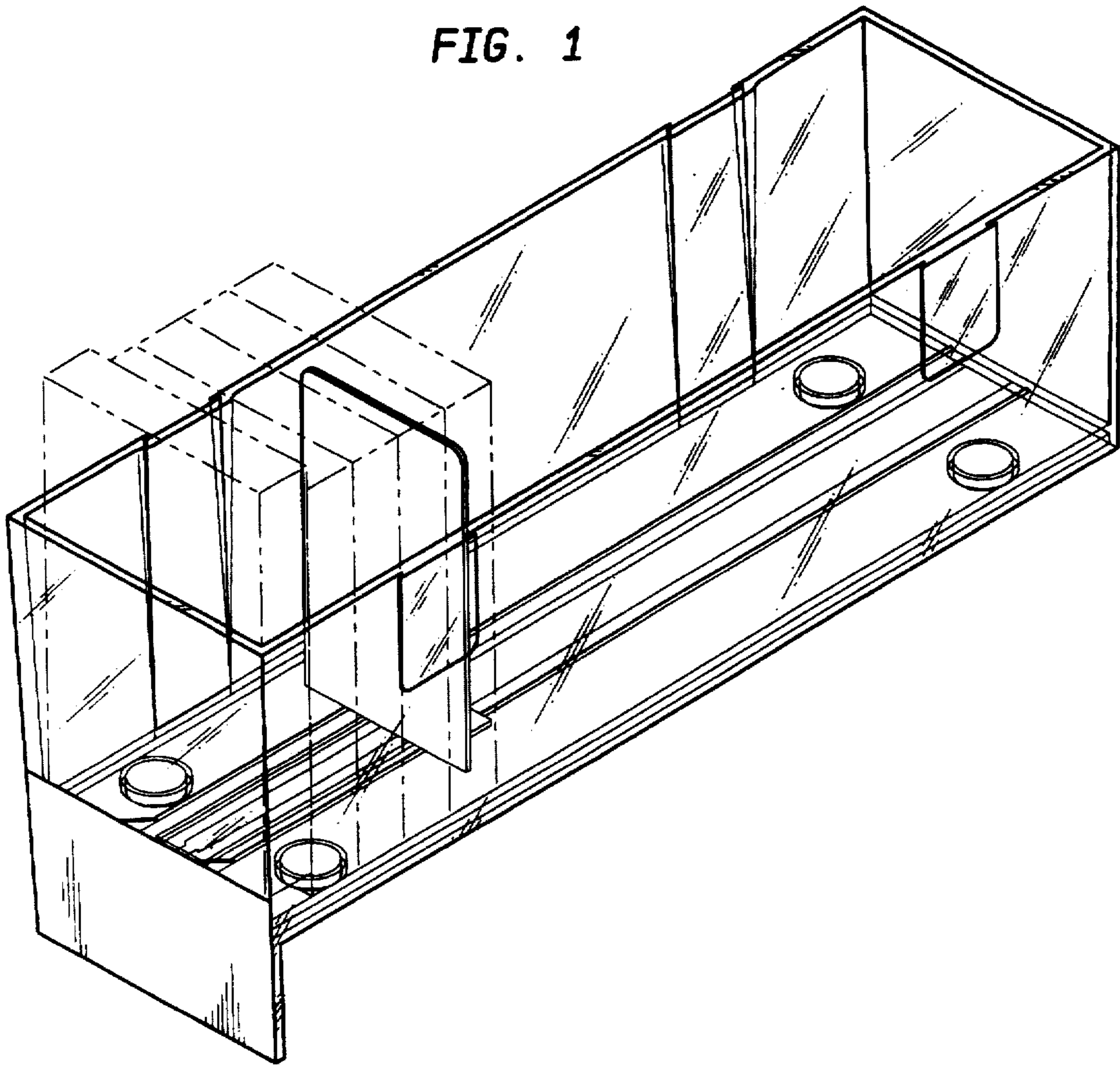


FIG. 2

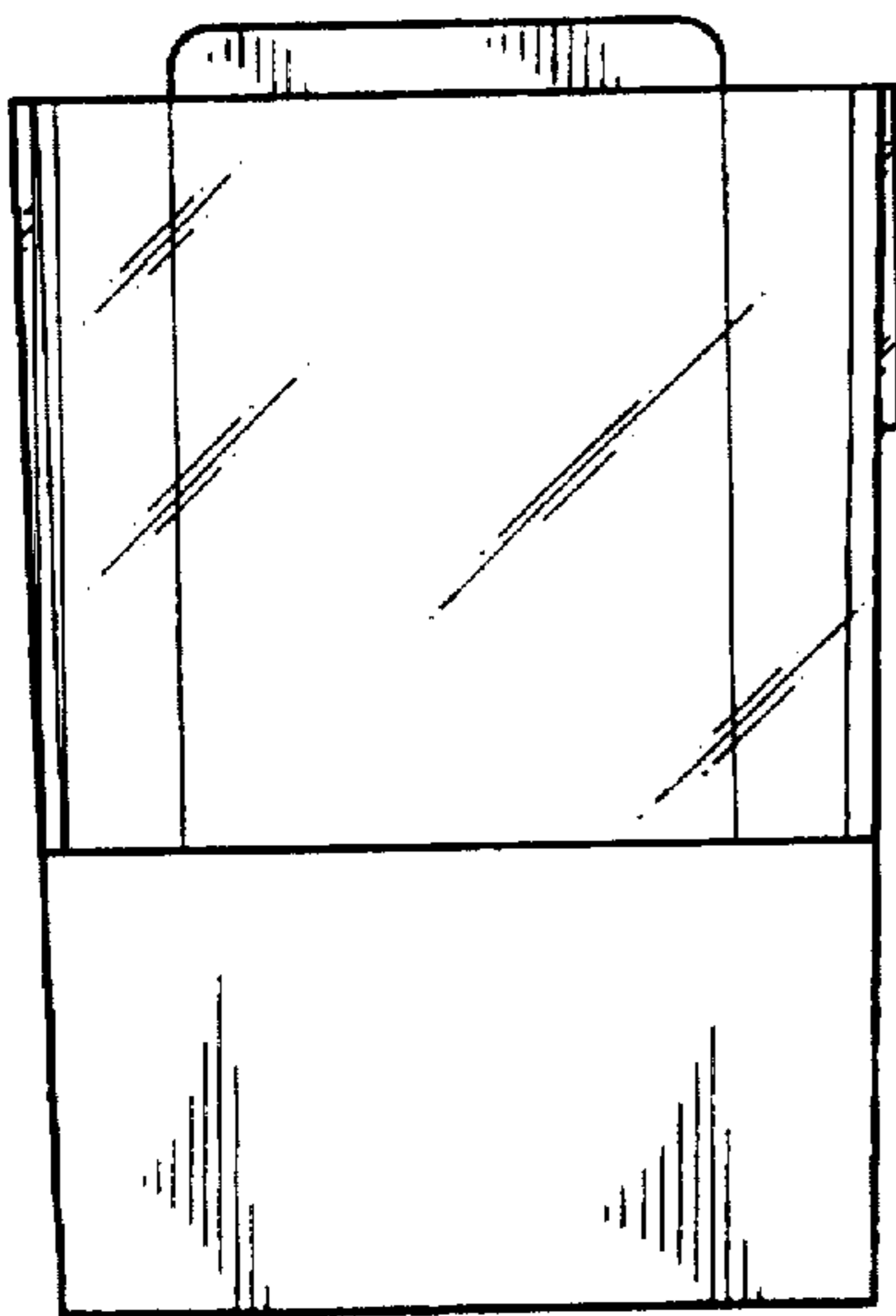


FIG. 3

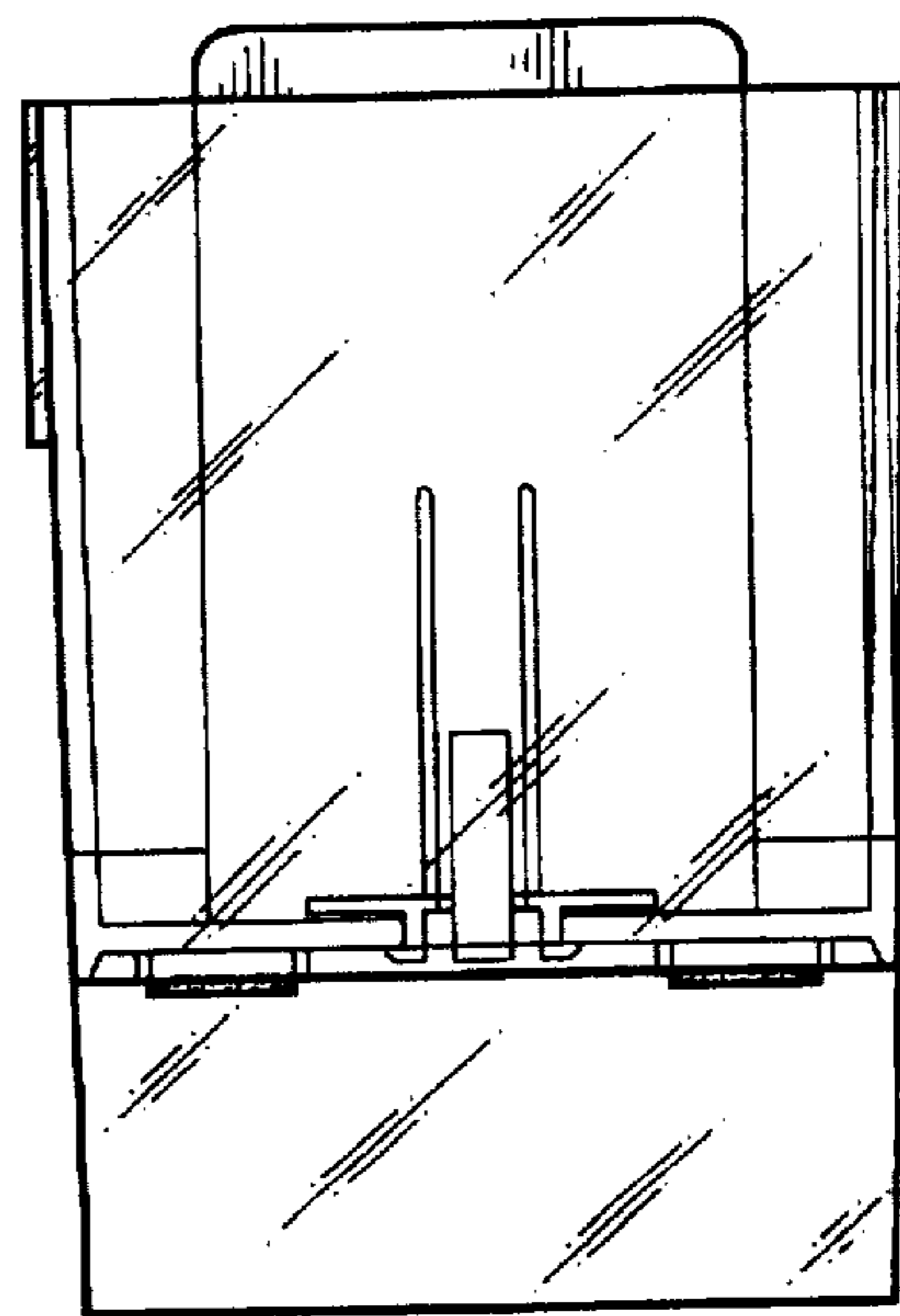


FIG. 4

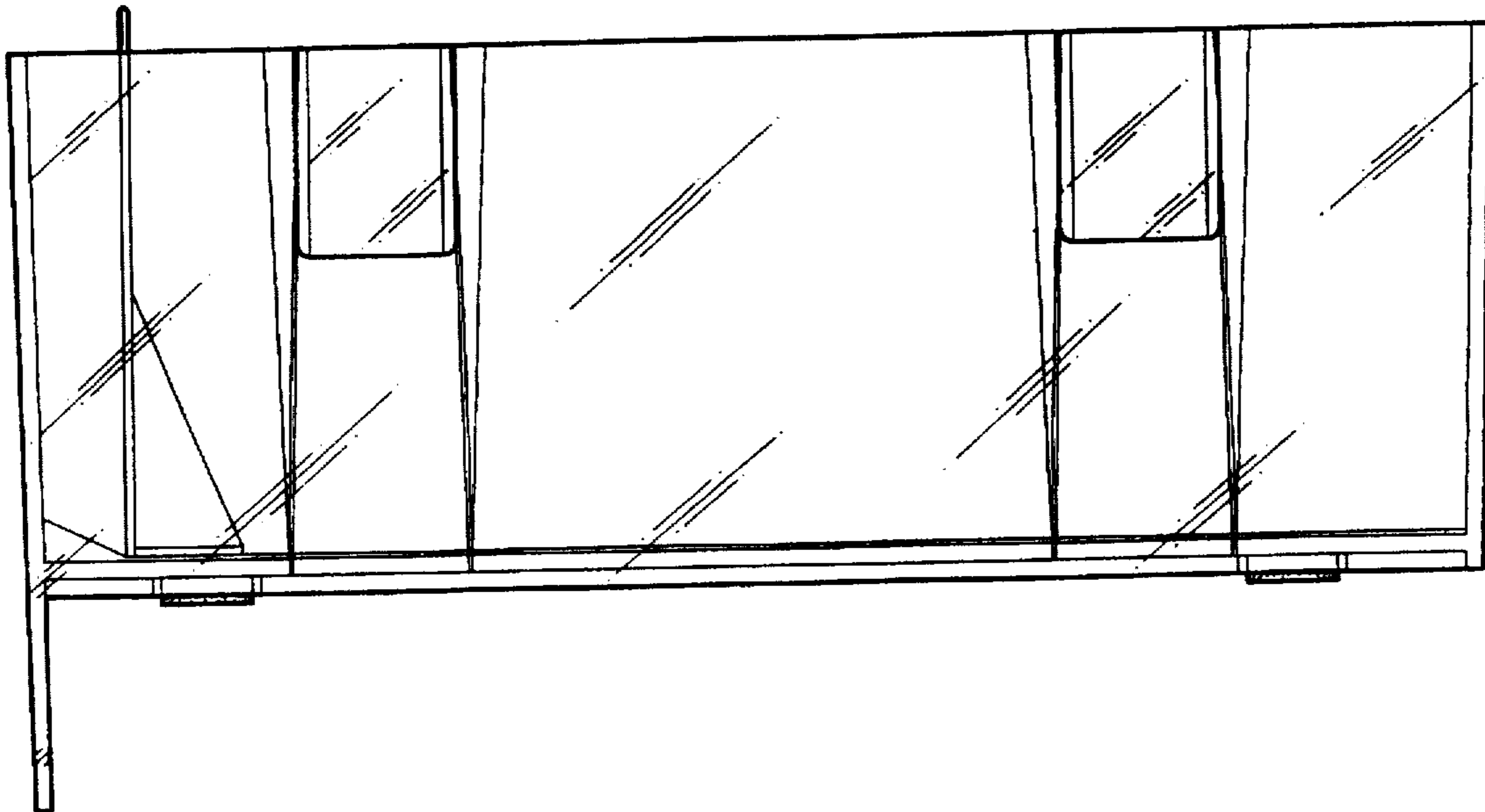


FIG. 5

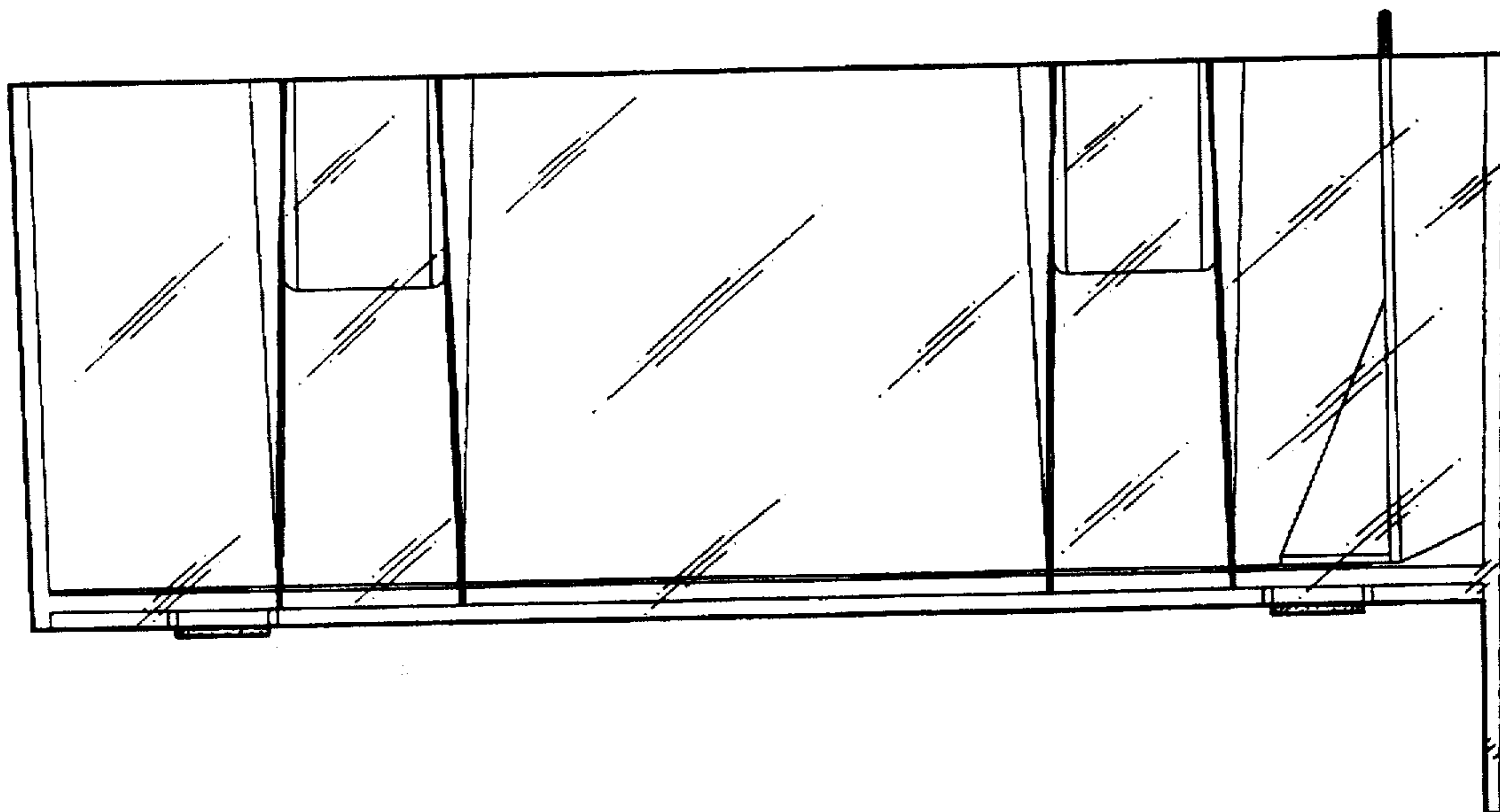


FIG. 6

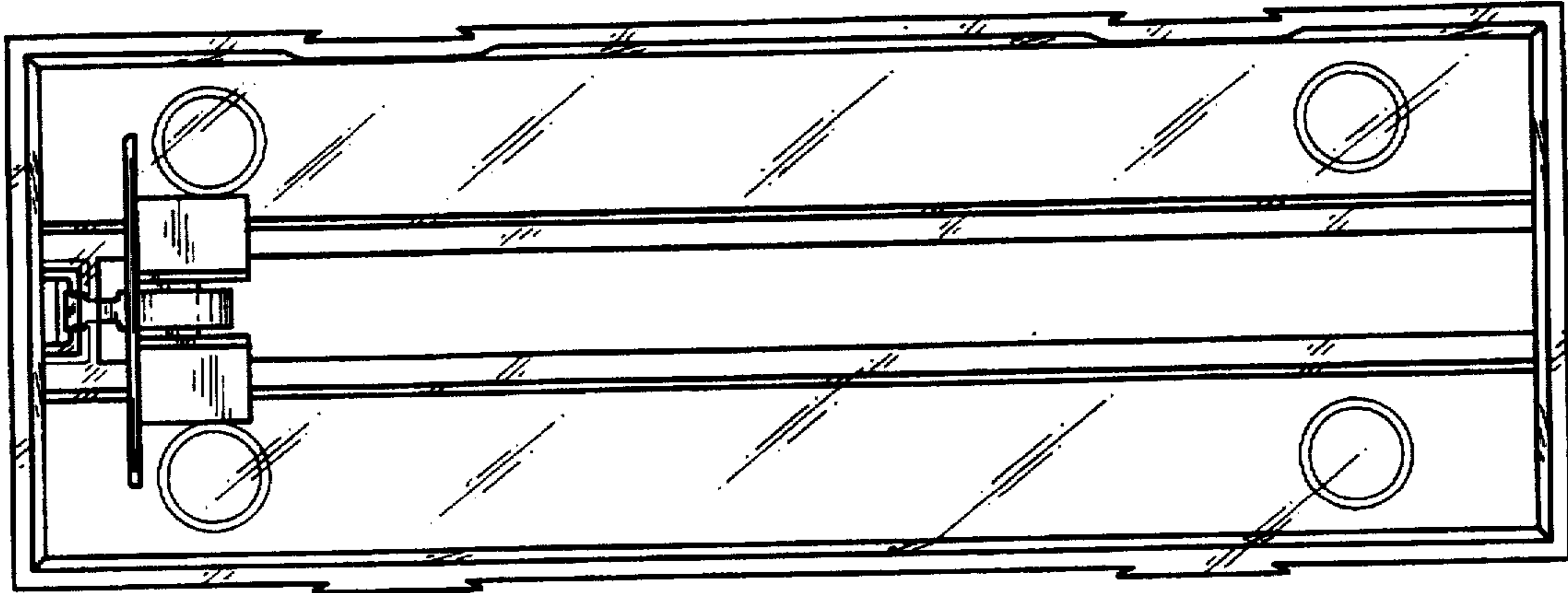


FIG. 7

