



US00D390047S

United States Patent [19] Cambra

[11] Patent Number: **Des. 390,047**
[45] Date of Patent: ****Feb. 3, 1998**

[54] MOTORCYCLE TABLE

[76] Inventor: **Bené M. Cambra**, 5376 Clayton Rd.
#D, Concord, Calif. 94521

[**] Term: **14 Years**

[21] Appl. No.: **59,459**

[22] Filed: **Sep. 11, 1996**

[51] LOC (6) Cl. **06-03**

[52] U.S. Cl. **D6/451**

[58] Field of Search D6/480-489, 495-499,
D6/450, 451; 108/150, 155-157, 161; D12/110,
111, 114

[56] References Cited

U.S. PATENT DOCUMENTS

- D. 188,796 9/1960 Page D6/451
- D. 342,169 12/1993 Boxsell D6/388
- D. 343,972 2/1994 Pauer et al. D6/480

OTHER PUBLICATIONS

Harley Davidson Chronicle, by Doug Mitchel, c1996, p. 265, 1981 Heritage Edition motorcycle.

Primary Examiner—Janice E. Seeger
Attorney, Agent, or Firm—Jack Lo

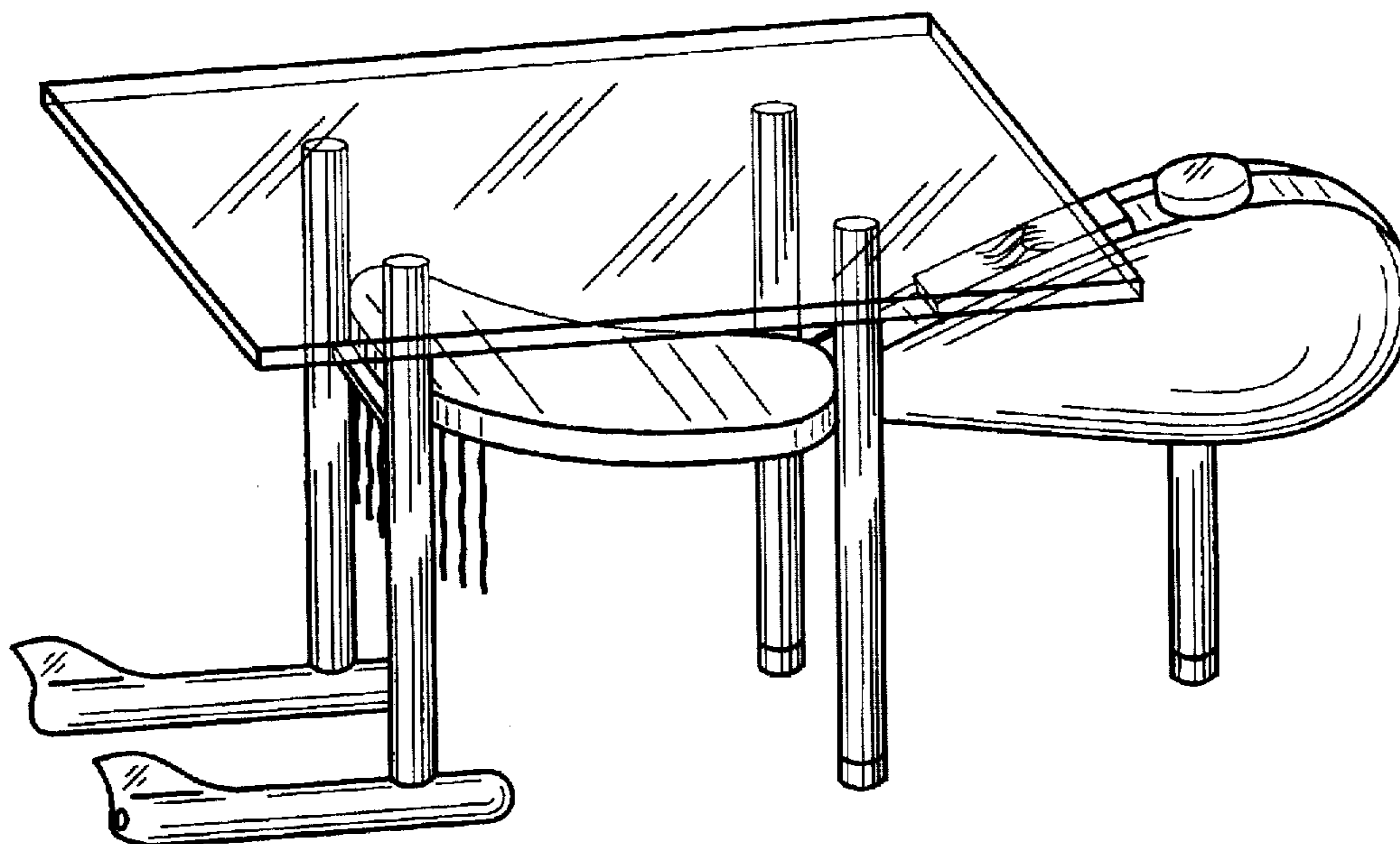
[57] CLAIM

The ornamental design for a motorcycle table, as shown and described.

DESCRIPTION

FIG. 1 is a top view of the motorcycle table;
FIG. 2 is a side view of the motorcycle table;
FIG. 3 is a rear view of the motorcycle table;
FIG. 4 is a front view of the motorcycle table; and,
FIG. 5 is a side perspective view of the motorcycle table.

1 Claim, 2 Drawing Sheets



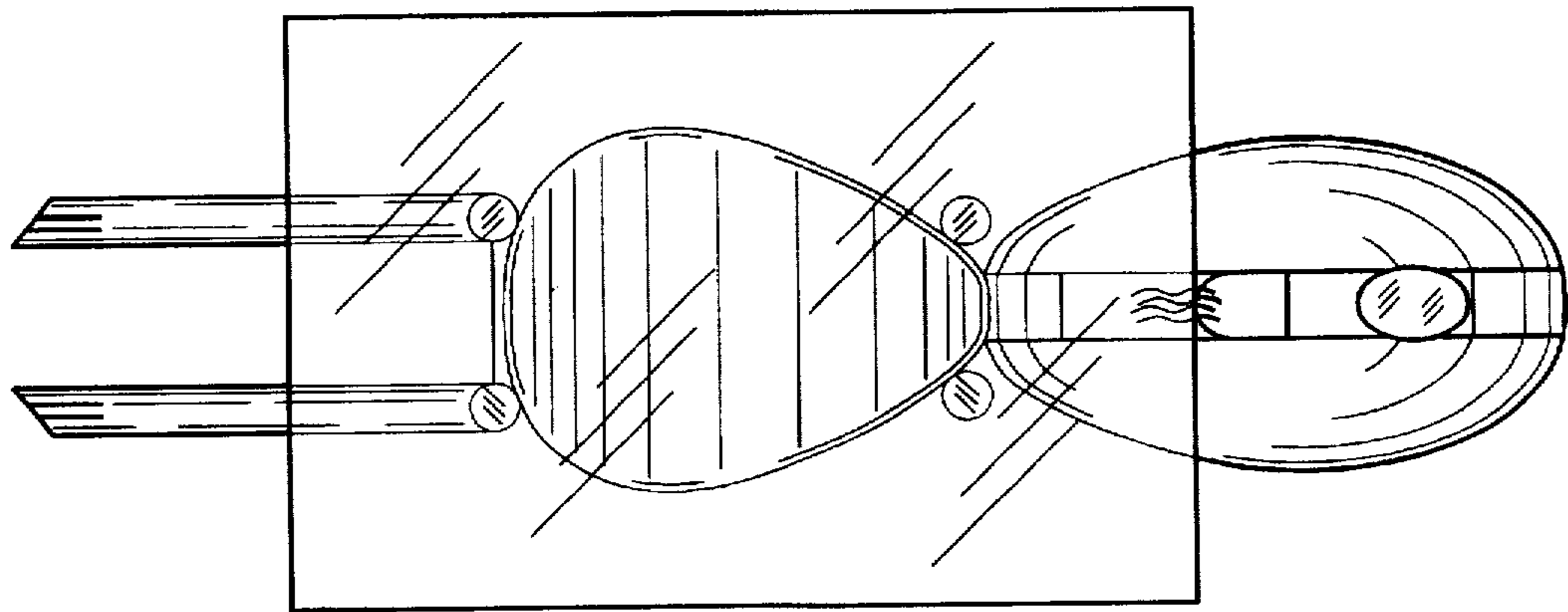


Fig. 1

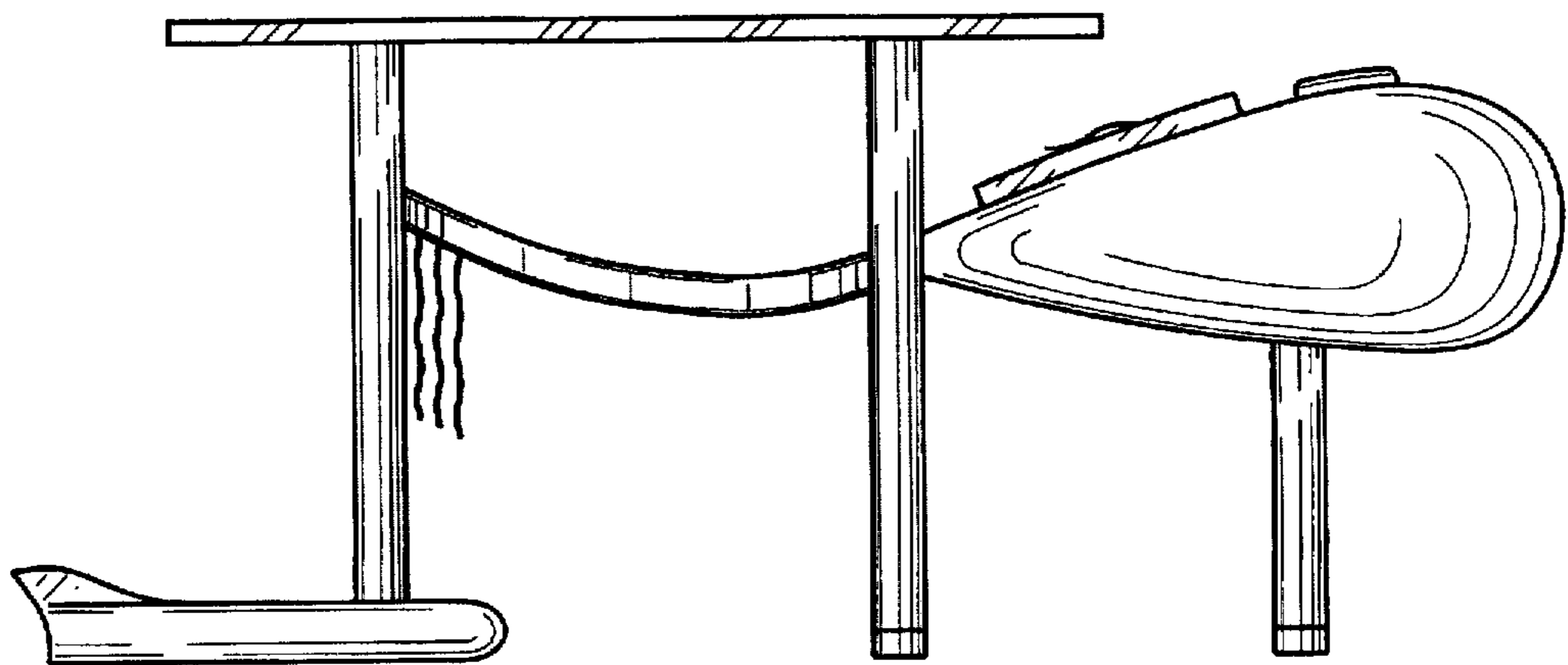


Fig. 2

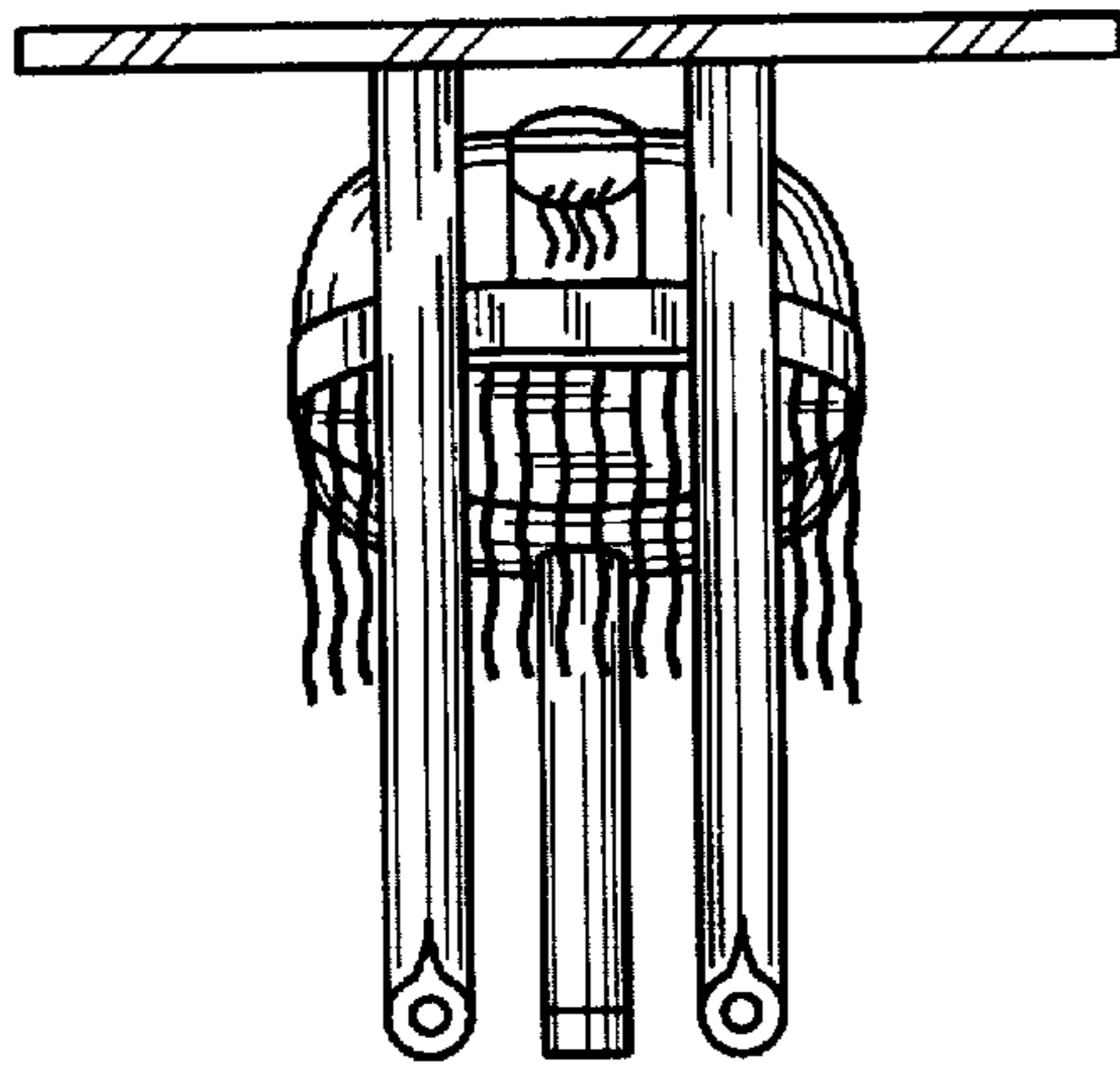


Fig. 3

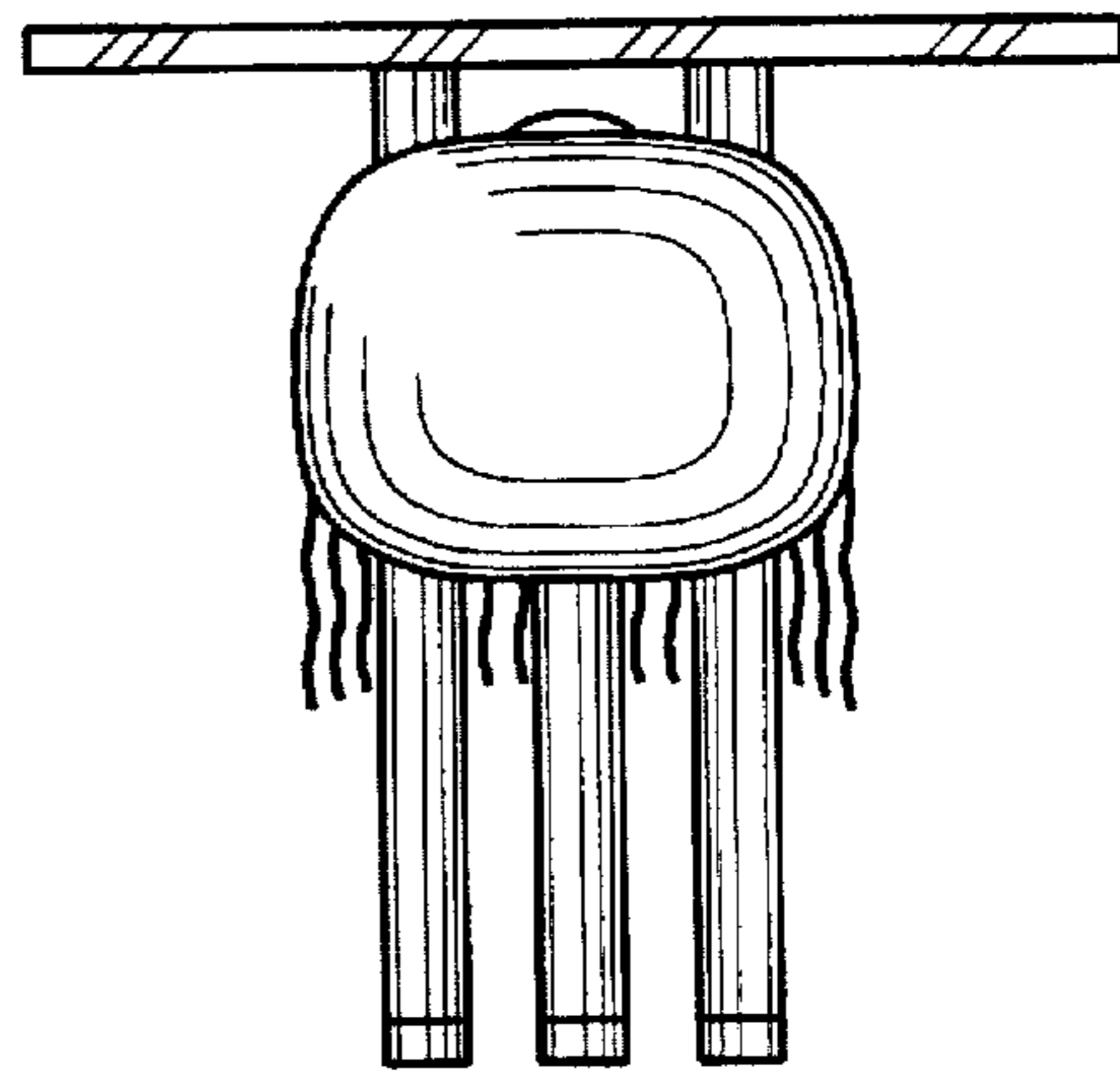


Fig. 4

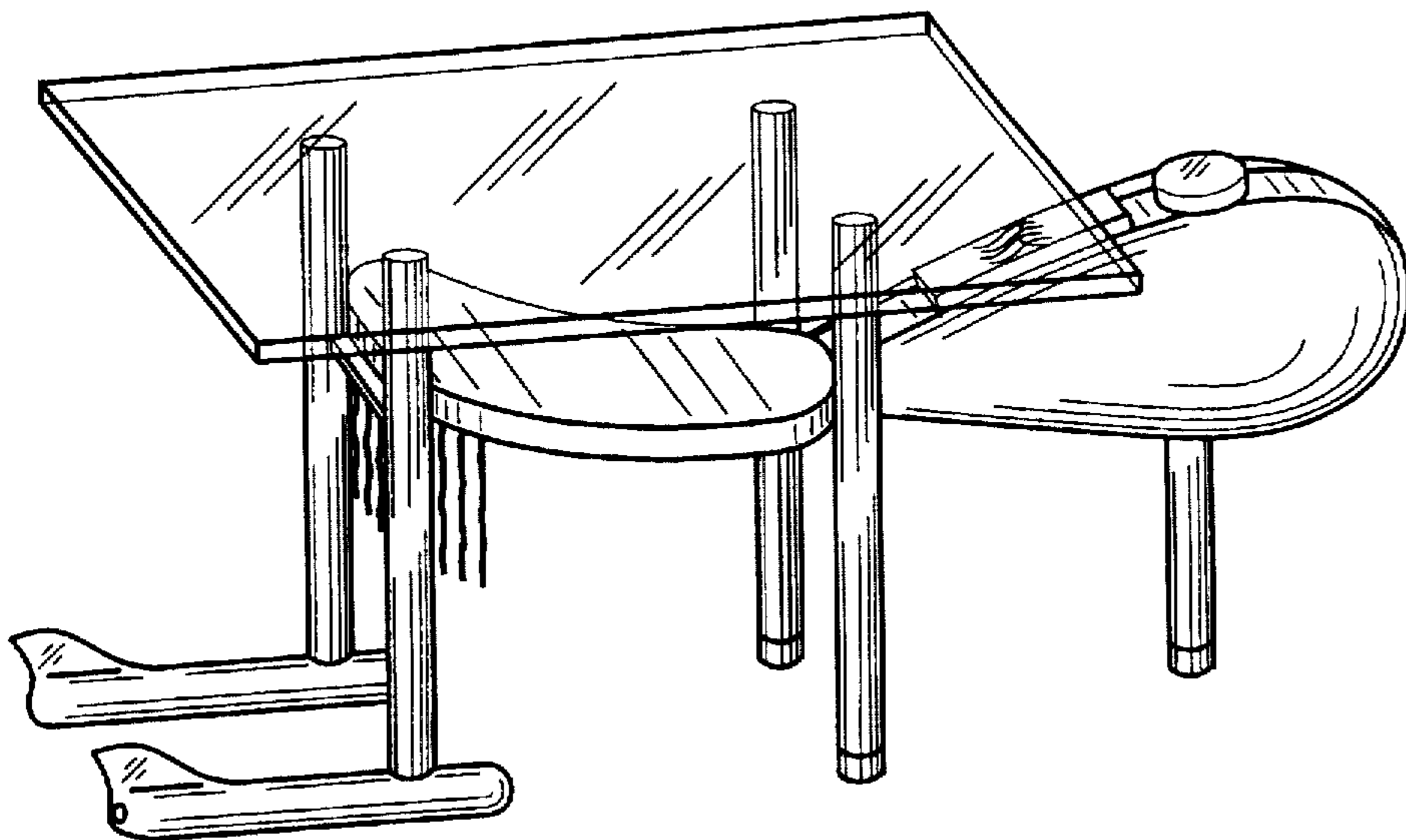


Fig. 5