



US00D390039S

United States Patent [19]

[11] Patent Number: **Des. 390,039**

Rheinish et al.

[45] Date of Patent: ****Feb. 3, 1998**

[54] **HAT HOLDER STAND FOR AN INDIVIDUAL HAT**

2,480,731 8/1949 Haughwout 211/33
2,713,444 7/1955 Dombrowski 223/25

[76] Inventors: **Robert Rheinish; Shirley Rheinish,**
both of 1975 Gold Dust Dr., Lake
Havasu City, Ariz. 86404

Primary Examiner—James Gandy
Assistant Examiner—Linda Brooks
Attorney, Agent, or Firm—Harry M. Weiss; Jeffrey D. Moy;
Harry M. Weiss & Associates, P.C.

[**] Term: **14 Years**

[57] **CLAIM**

[21] Appl. No.: **69,710**

The ornamental design for a hat holder stand for an individual hat, as shown and described.

[22] Filed: **Apr. 4, 1997**

DESCRIPTION

[51] LOC (6) Cl. **06-04**

[52] U.S. Cl. **D6/411; D2/892**

[58] **Field of Search** D6/415, 455, 477-479,
D6/412, 466, 467, 448, 457, 411; 211/33,
30, 73; D2/892; 248/146, 152, 174, 176.1;
223/24, 25, 26, 12, 15; D32/52, 58

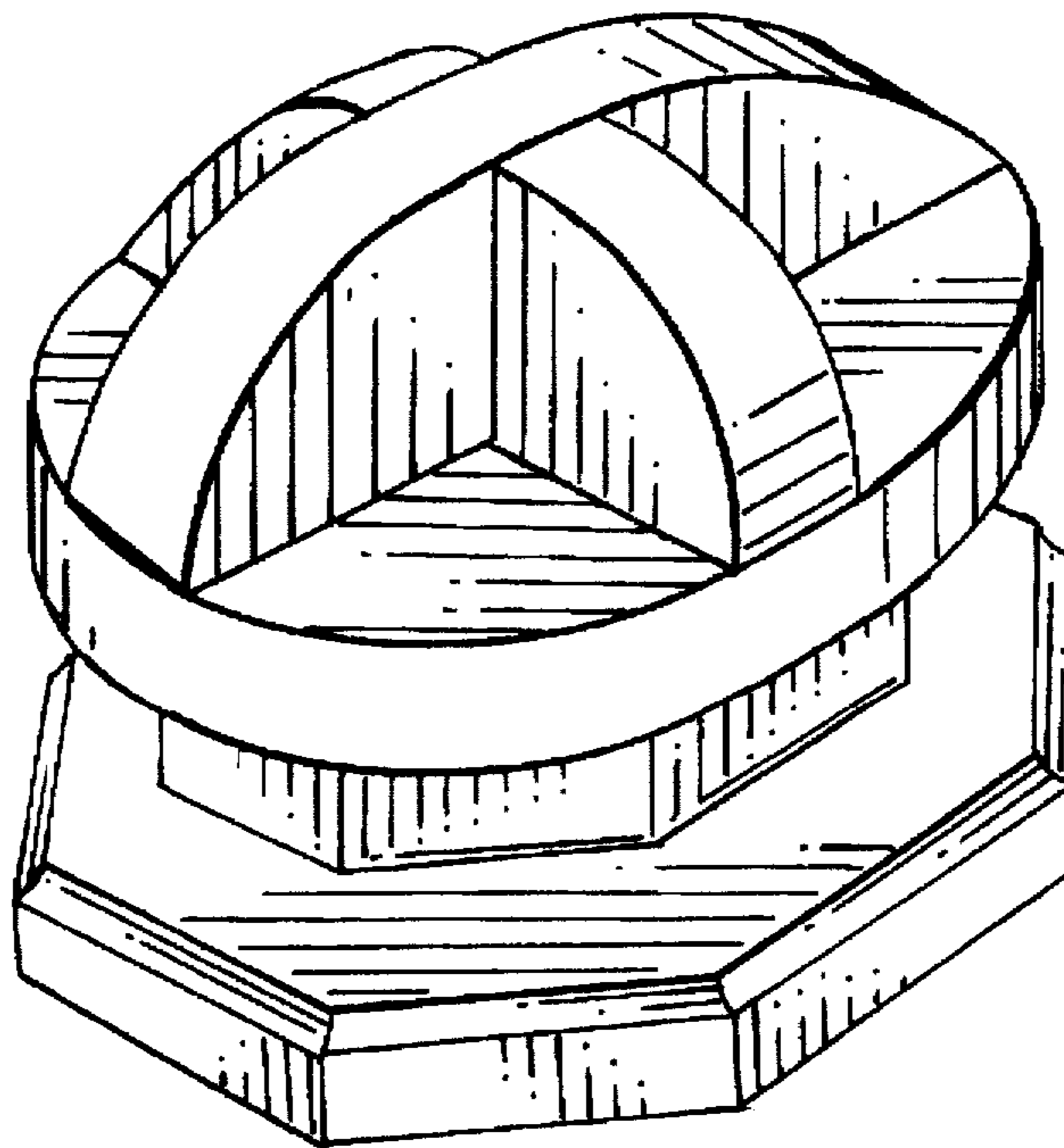
FIG. 1 is an elevated perspective view of a hat holder stand for an individual hat showing my new design;
FIG. 2 is an enlarged top plan view thereof;
FIG. 3 is a side elevational view of FIG. 2, the opposite side being a mirror image;
FIG. 4 is a front elevational view of FIG. 2, the rear view being substantially the same except for the more downwardly sloping curvature of the vertical hat support; and,
FIG. 5 is a bottom plan view of FIG. 2.

[56] **References Cited**

U.S. PATENT DOCUMENTS

D. 105,149 6/1937 Stroock D6/411
D. 364,496 11/1995 Lejuez D2/892
D. 367,780 3/1996 Torres D6/462

1 Claim, 2 Drawing Sheets



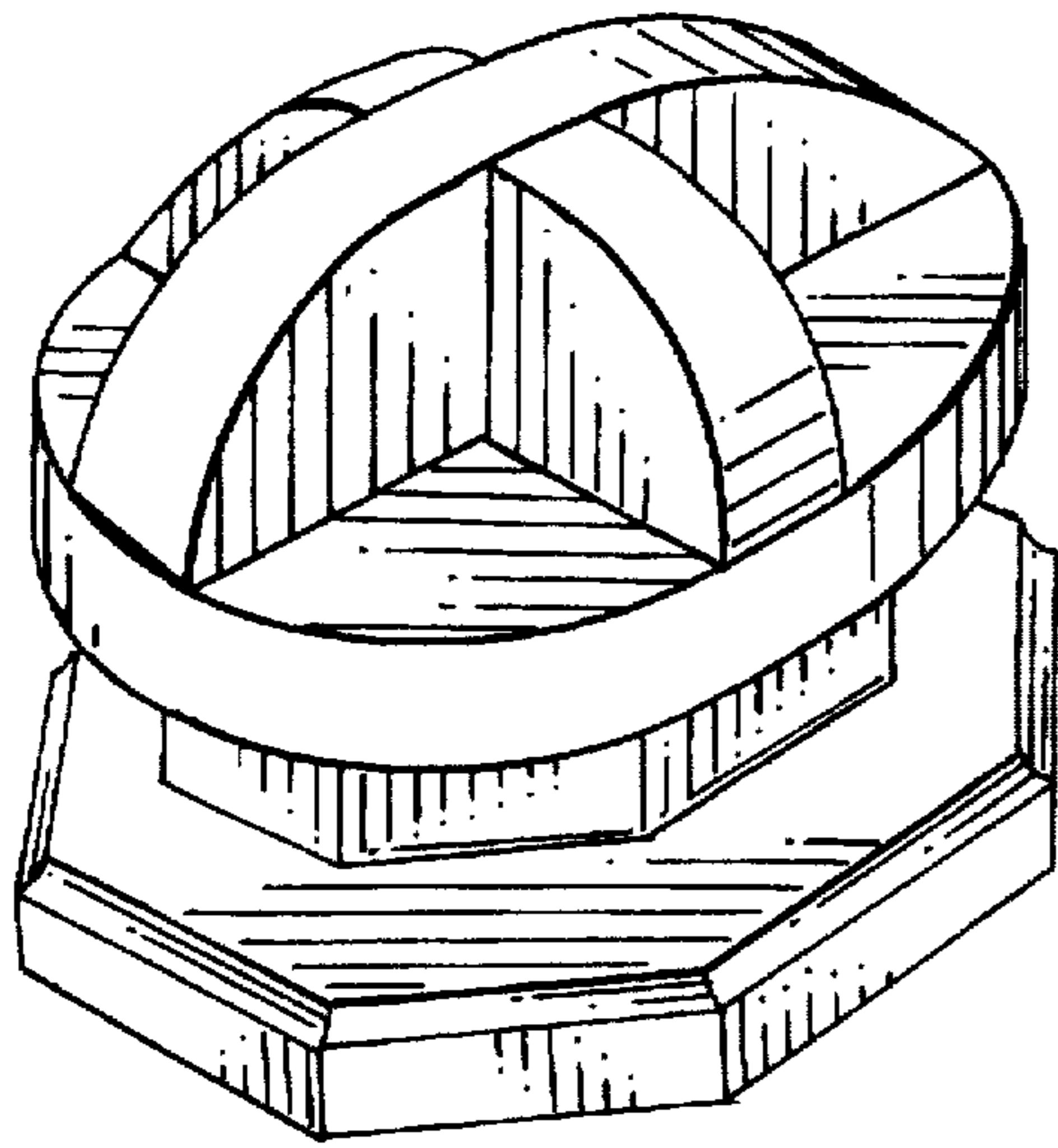


FIG. 1

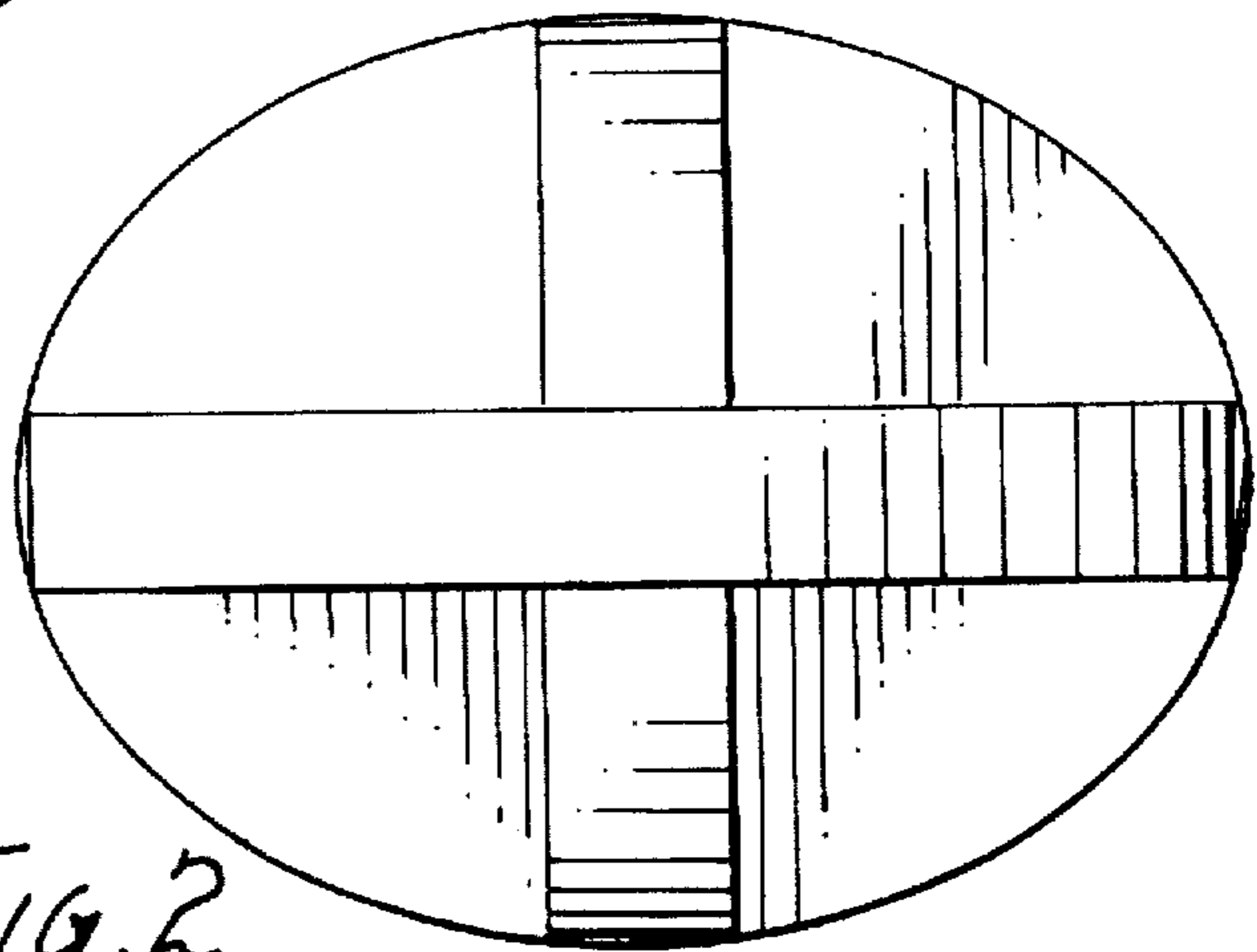


FIG. 2

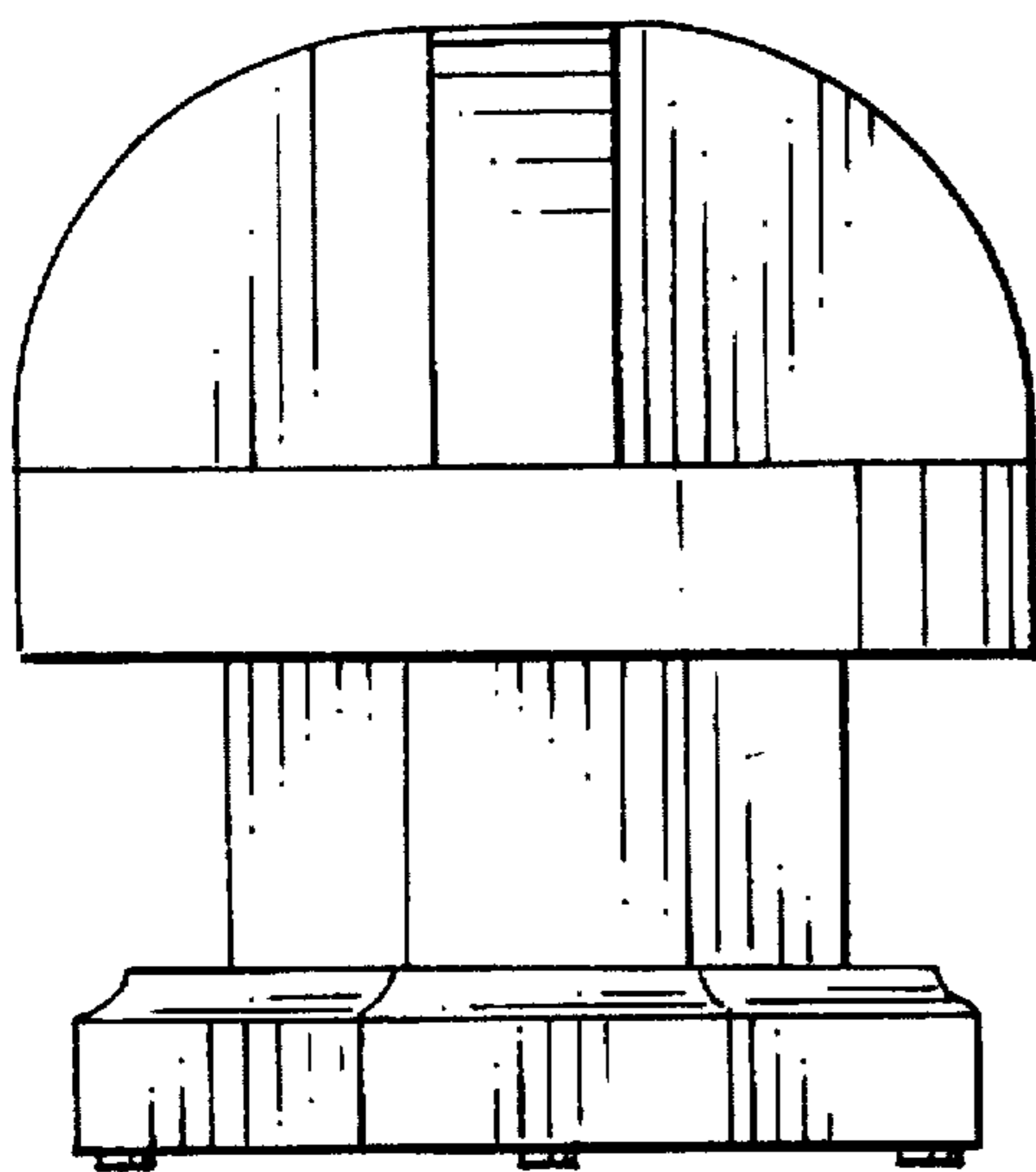


FIG. 4

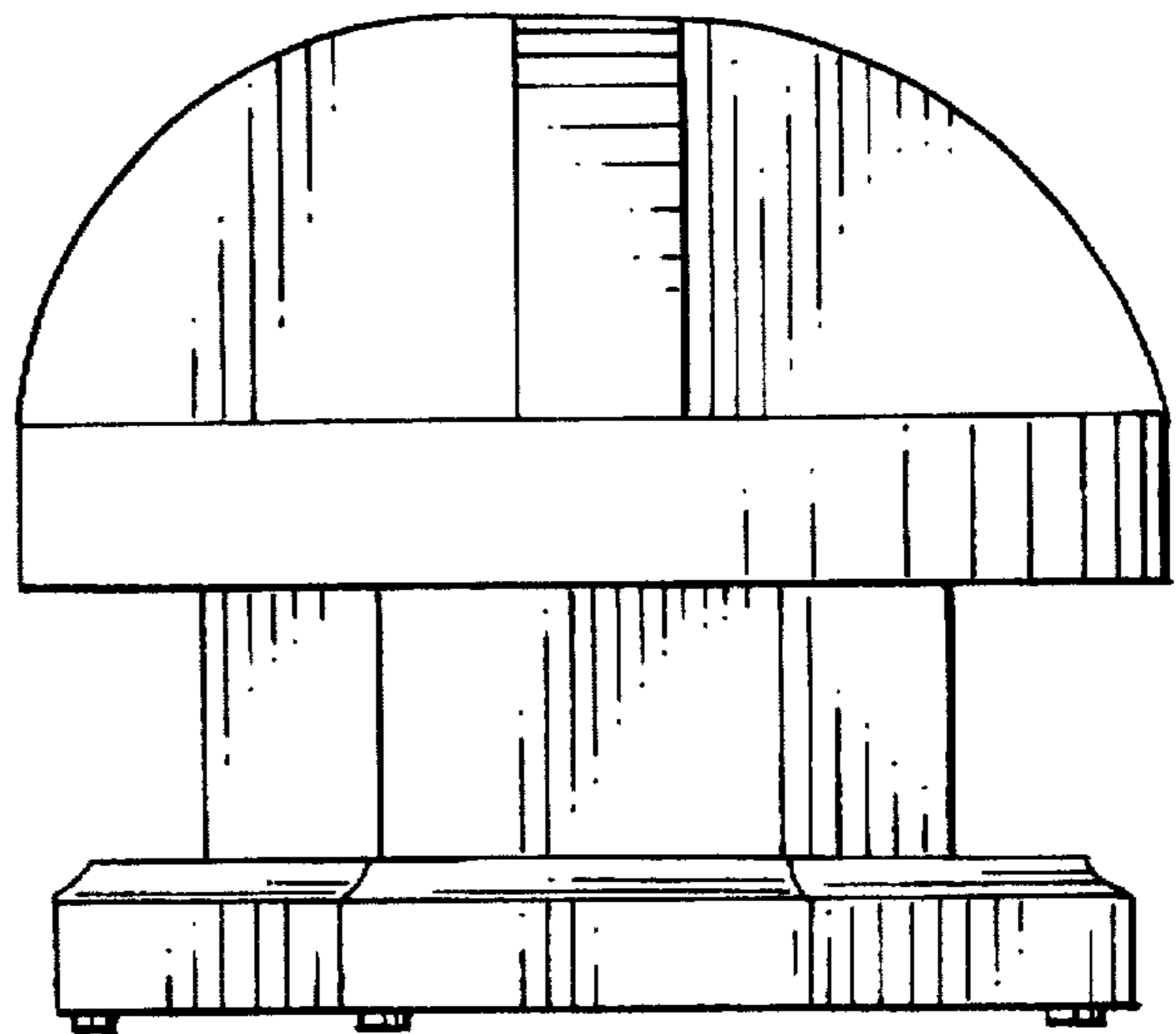


FIG. 3

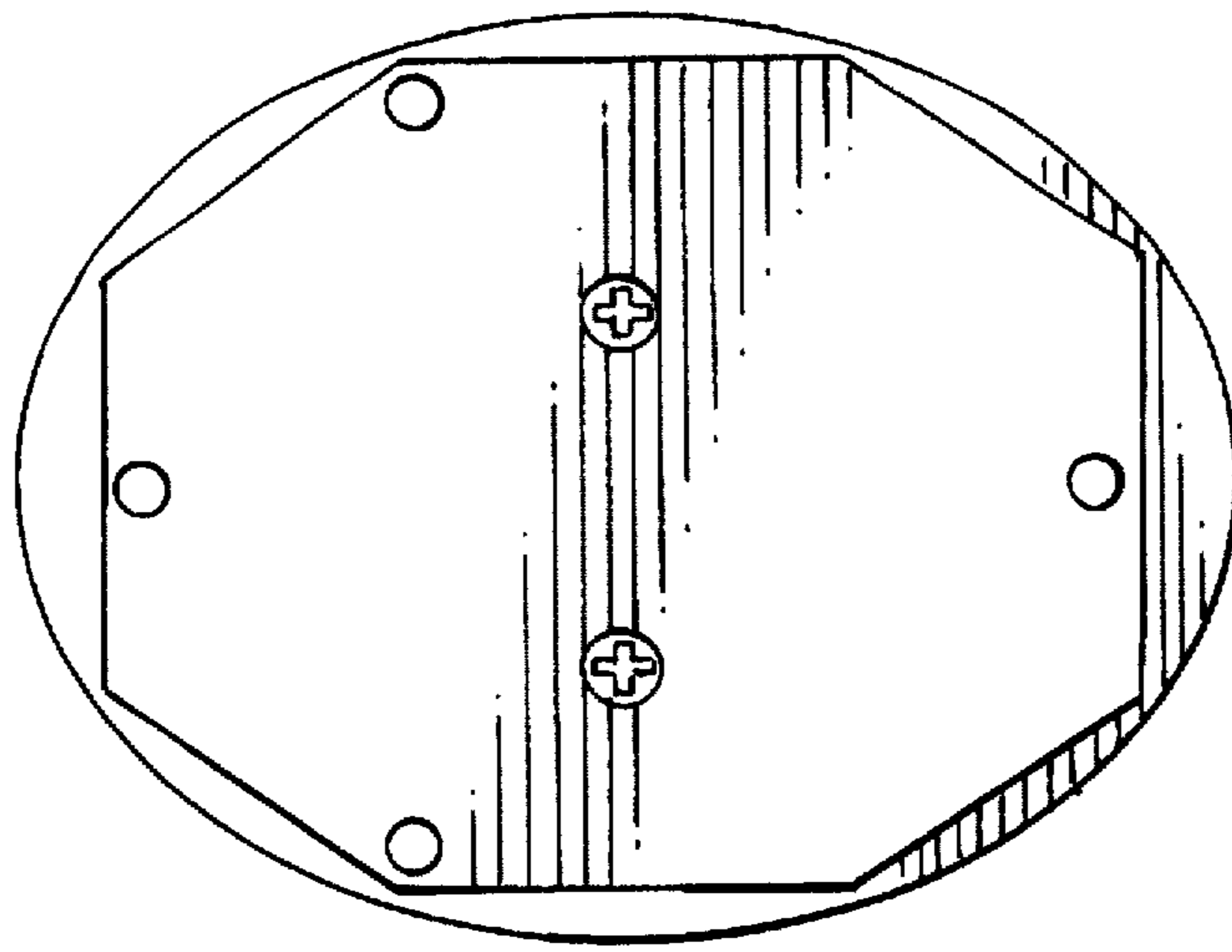


FIG. 5