



US00D390031S

United States Patent [19]

Diaz-Azcuy

[11] Patent Number: **Des. 390,031**

[45] Date of Patent: ****Feb. 3, 1998**

[54] **CHAIR**

[75] Inventor: **Orlando Diaz-Azcuy**, San Francisco, Calif.

[73] Assignee: **McGuire Furniture Company Inc.**, San Francisco, Calif.

[**] Term: **14 Years**

[21] Appl. No.: **64,630**

[22] Filed: **Jan. 6, 1997**

Related U.S. Application Data

[62] Division of Ser. No. 51,423, Mar. 11, 1996.

[51] LOC (6) Cl. **06-01**

[52] U.S. Cl. **D6/380; D6/370; D6/374**

[58] Field of Search **D6/334, 369, 370, D6/374, 379, 380, 500, 501, 502; 297/445.1, 446.1, 452.64**

[56] References Cited

U.S. PATENT DOCUMENTS

- D. 80,085 12/1929 Nevin D6/369
- D. 94,089 12/1934 Lucas D6/502
- D. 101,404 9/1936 Salomon D6/380
- D. 228,989 11/1973 Furey D6/380

- D. 259,841 7/1981 Mioni D6/380
- D. 289,469 4/1987 Tonon D6/379
- D. 311,098 10/1990 Lee et al. D6/380
- D. 332,531 1/1993 Guion D6/379
- D. 340,364 10/1993 Caldwell D6/370
- D. 364,751 12/1995 Keller D6/379
- D. 367,370 2/1996 Berry, Jr. et al. D6/374

OTHER PUBLICATIONS

Bloomington's, p. 15, Chair "H" at top center, Jan. 6, 1983.

Primary Examiner—Gary D. Watson

Attorney, Agent, or Firm—Merchant, Gould, Smith, Edell, Welter & Schmidt, P.A.

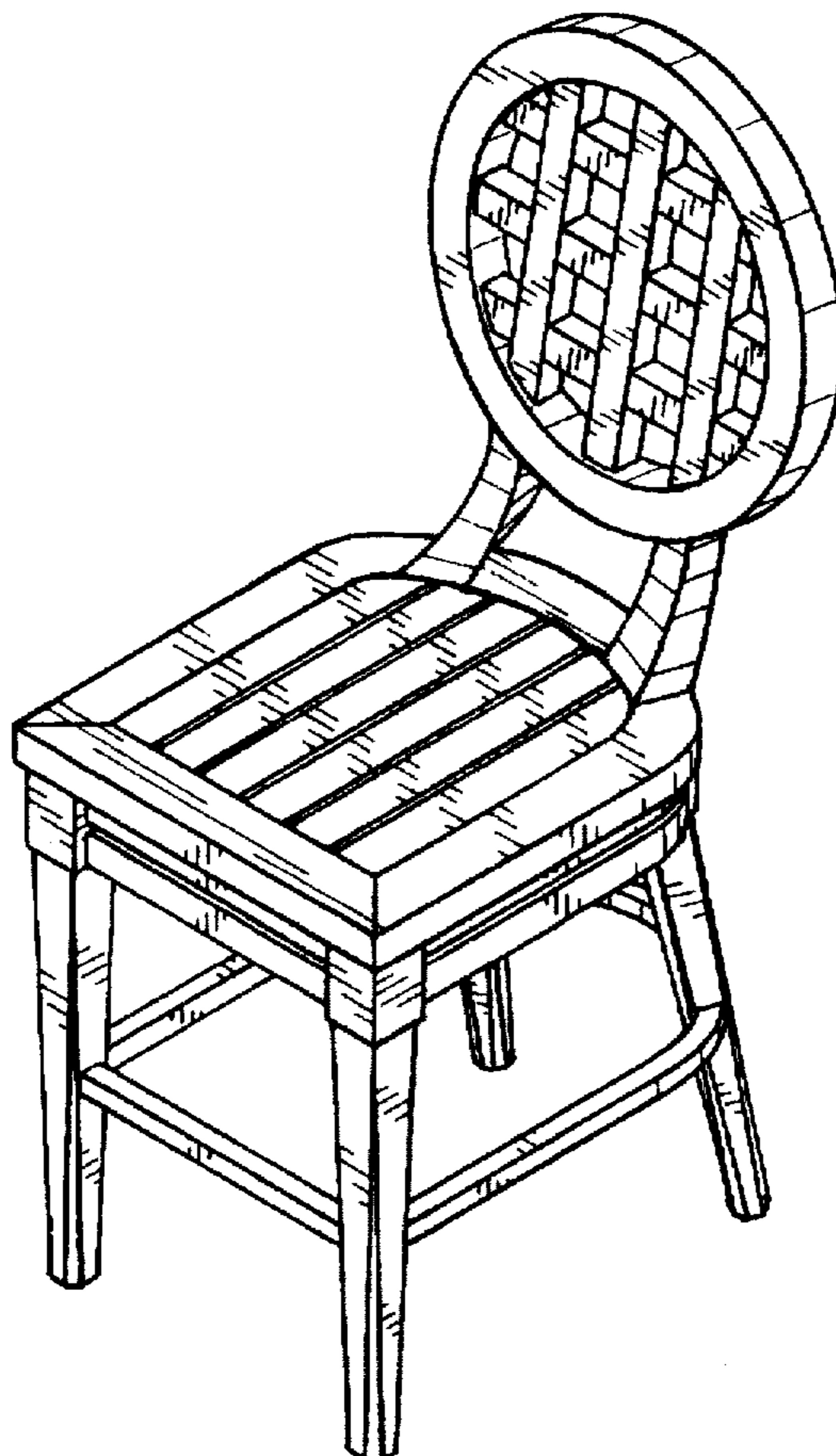
[57] CLAIM

The ornamental design for chair, as shown and described.

DESCRIPTION

FIG. 1 is a perspective view taken from the top, front and right side of a chair embodying my design;
 FIG. 2 is a front elevational view thereof;
 FIG. 3 is a rear elevational view thereof;
 FIG. 4 is a right side elevational view thereof, the left side elevational view being the mirror image of the right side shown;
 FIG. 5 is a top plan view thereof;
 FIG. 6 is a bottom plan view thereof.

1 Claim, 3 Drawing Sheets



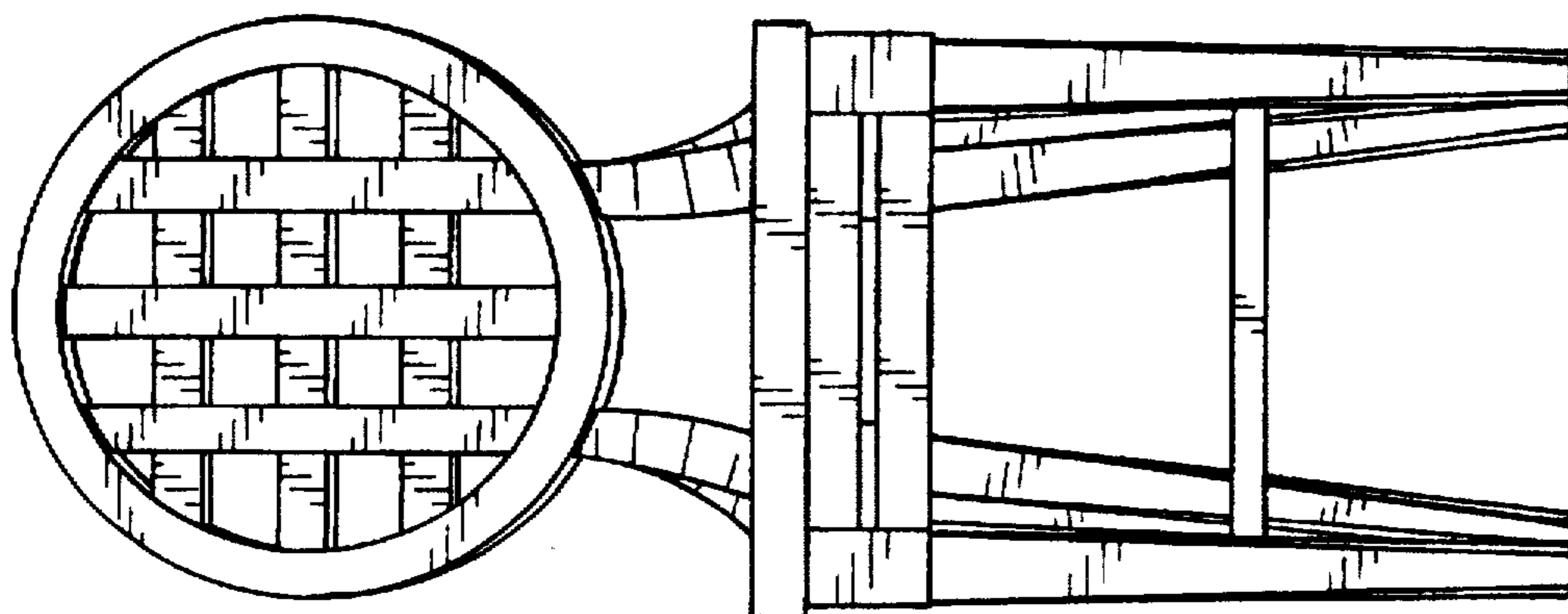


FIG. 2

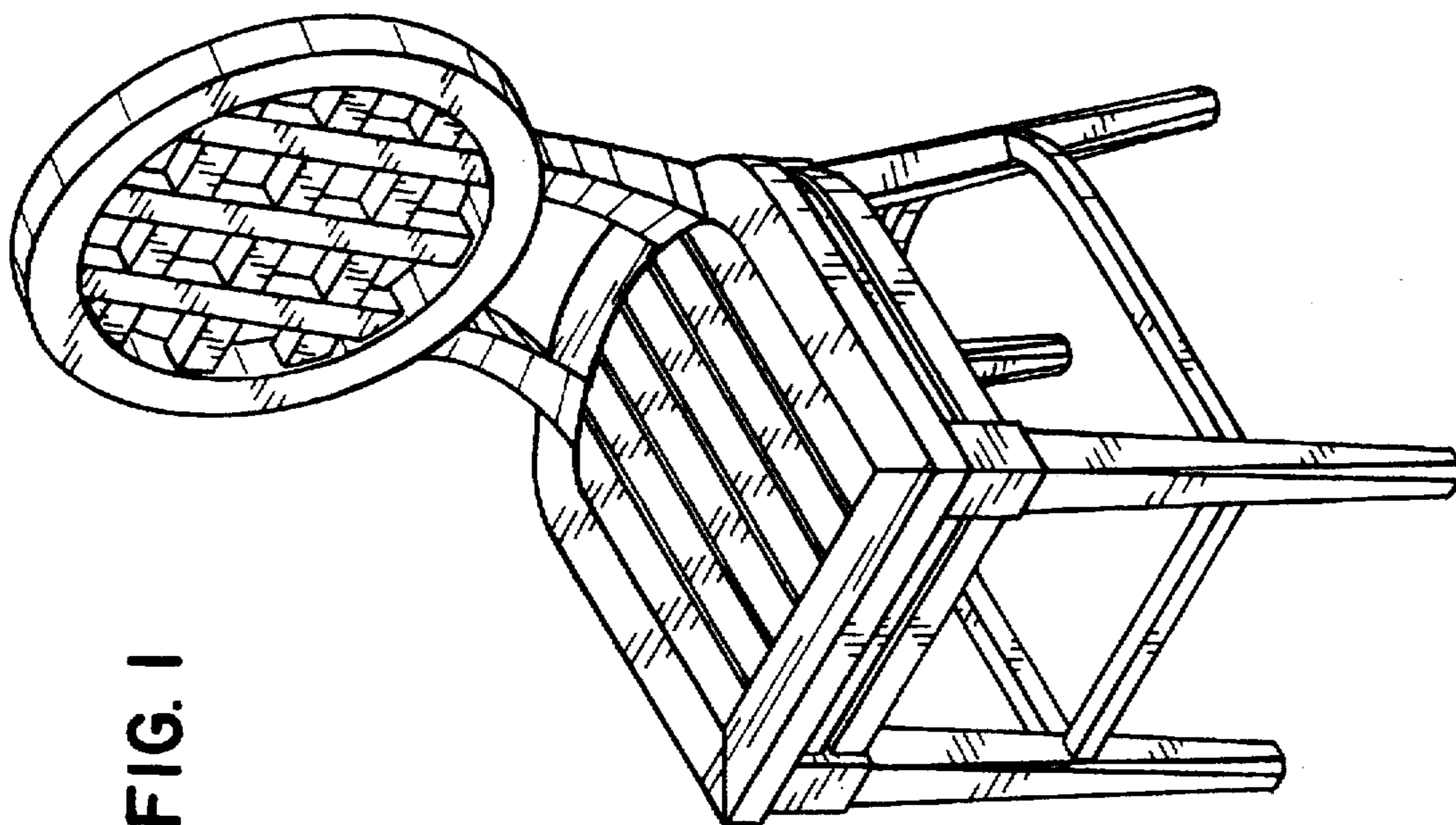


FIG. 1

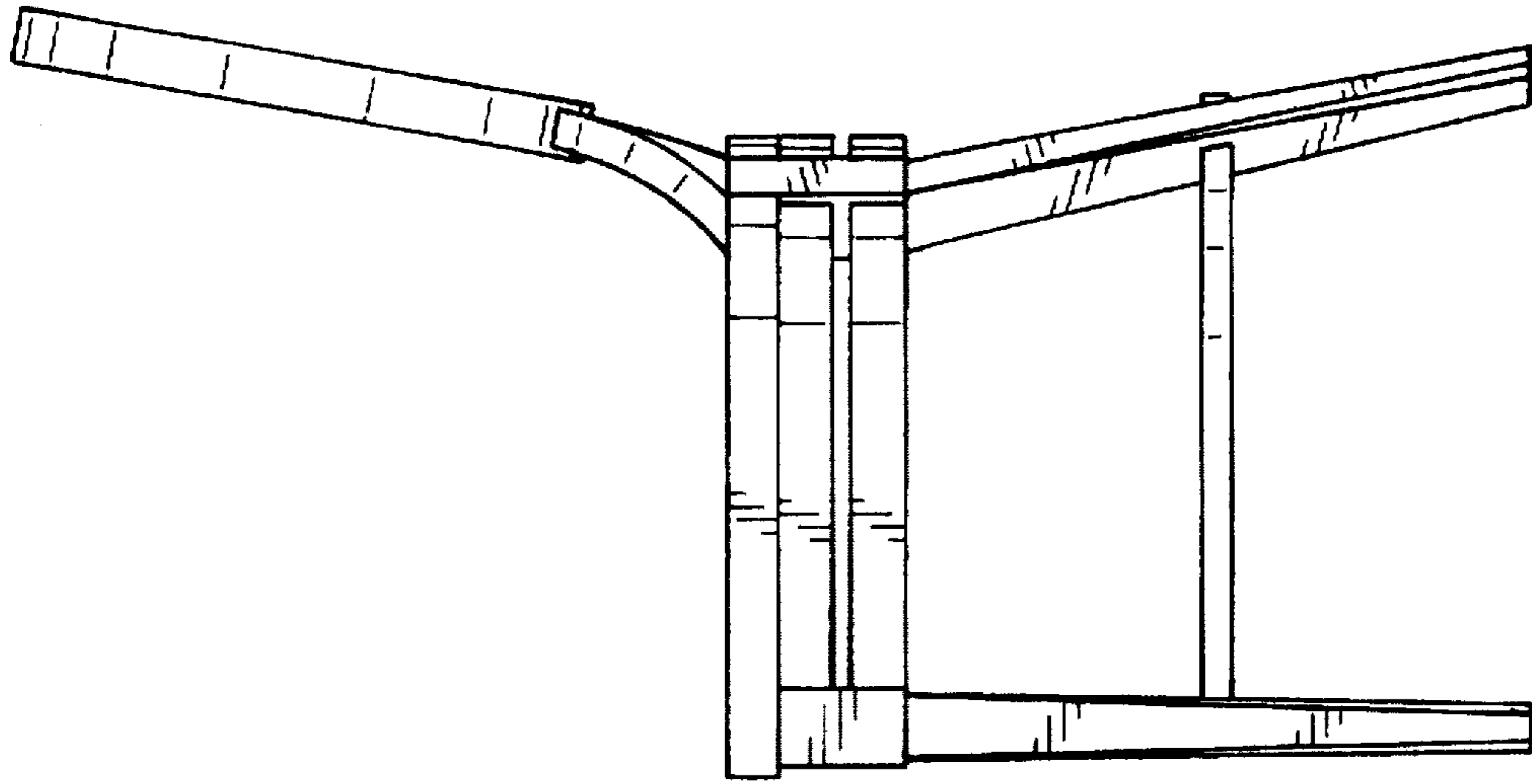


FIG. 4

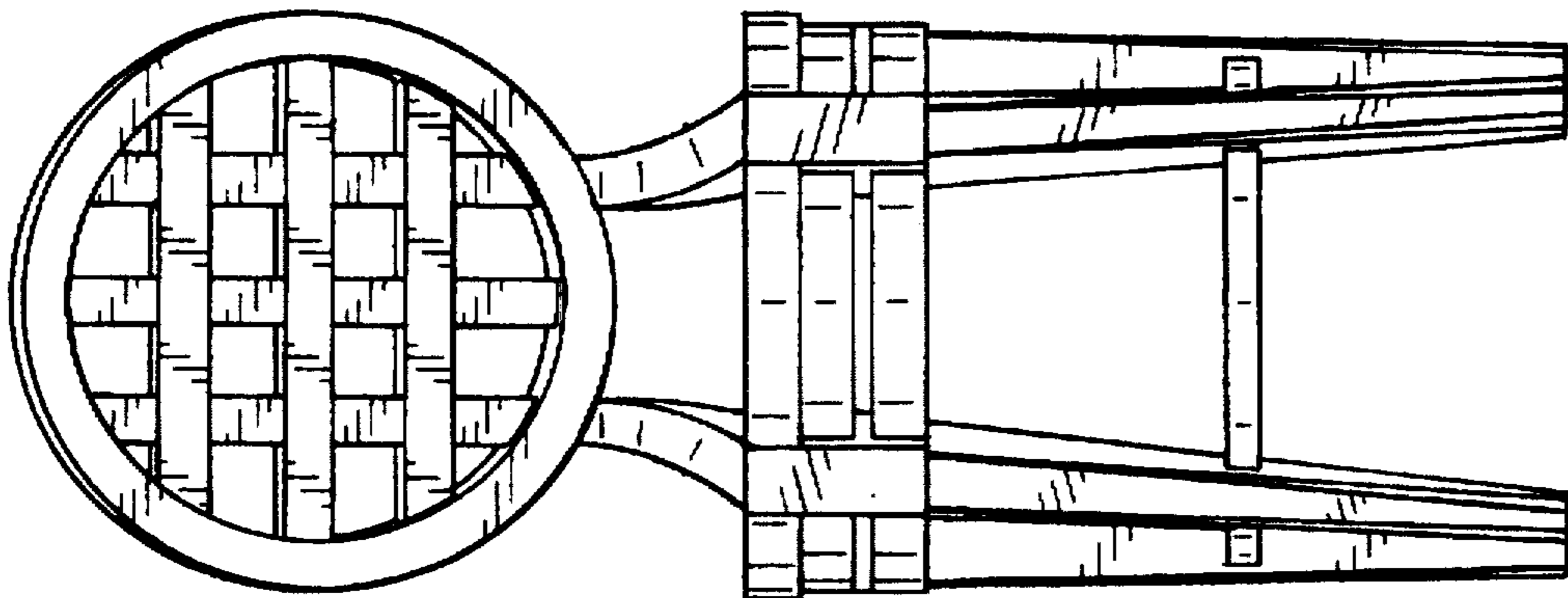


FIG. 3

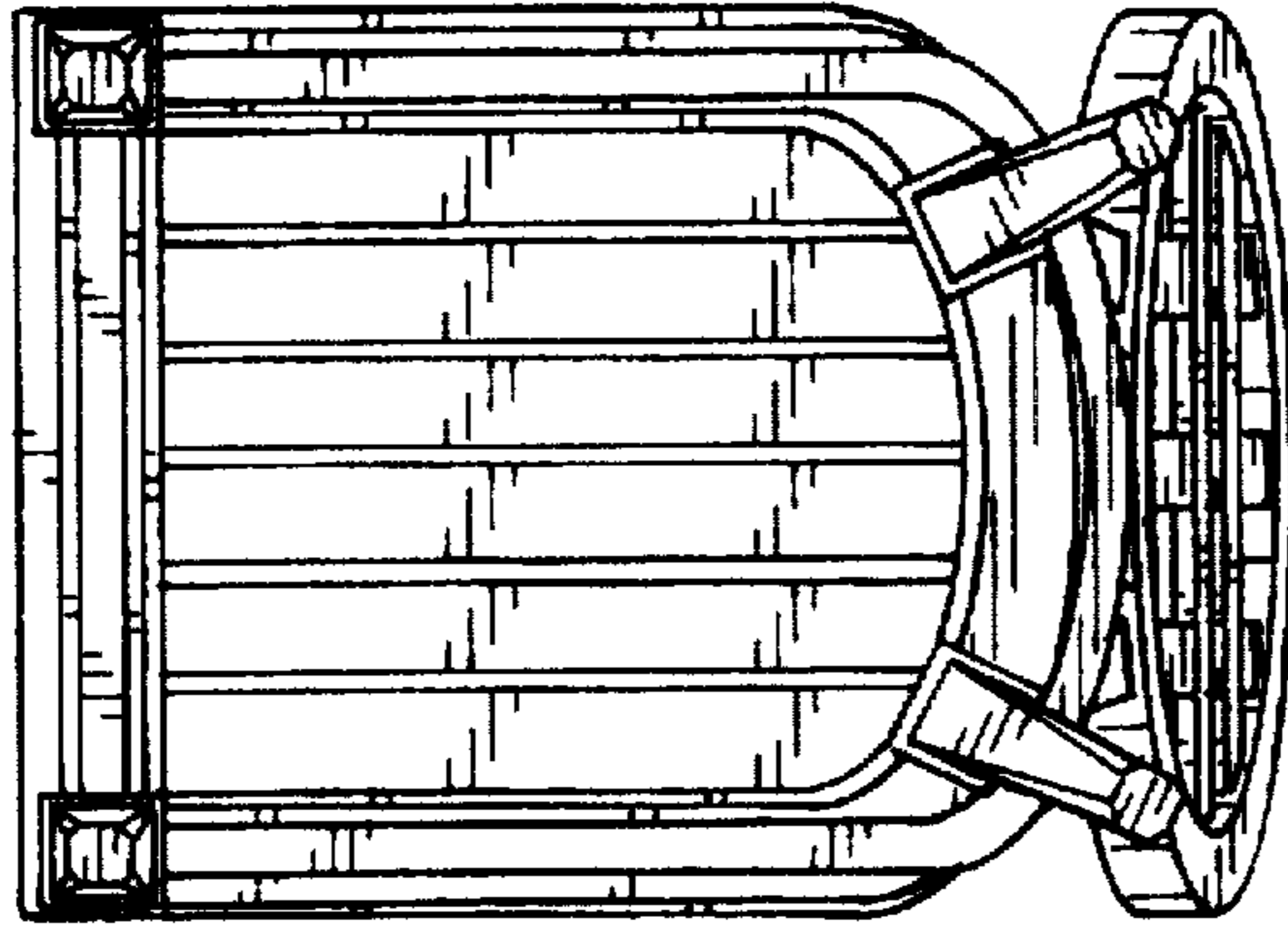


FIG. 6

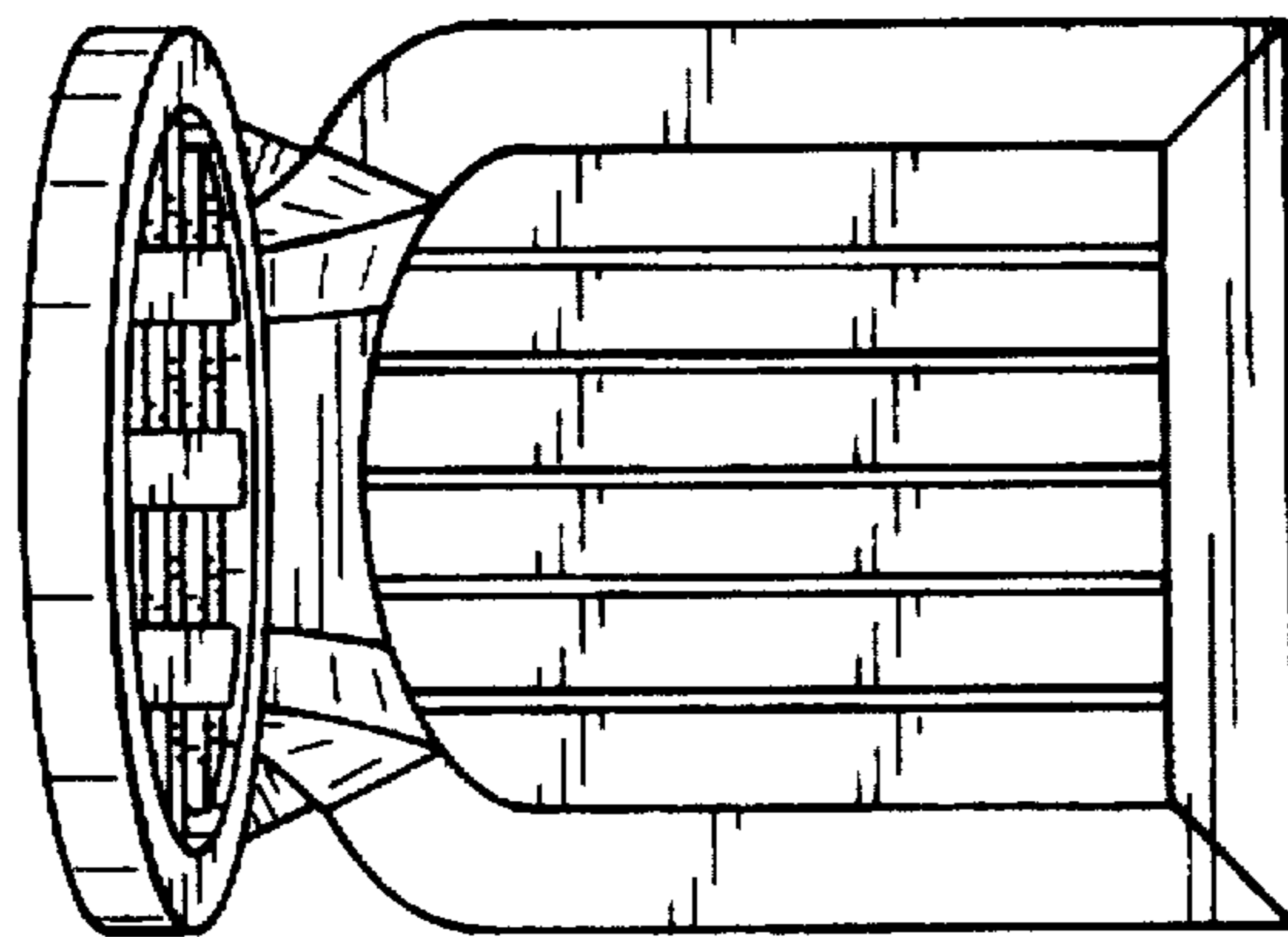


FIG. 5