



US00D390028S

United States Patent [19]
Caldwell

[11] **Patent Number:** **Des. 390,028**
[45] **Date of Patent:** ****Feb. 3, 1998**

[54] **CHAIR**

[76] **Inventor:** **John W. Caldwell**, 901 E1 Centro St.,
South Pasadena., Calif. 91030

[**] **Term:** **14 Years**

[21] **Appl. No.:** **37,878**

[22] **Filed:** **Apr. 21, 1995**

[51] **LOC (6) Cl.** **06-01**

[52] **U.S. Cl.** **D6/376; D6/379; D6/380**

[58] **Field of Search** **D6/334, 368, 369,**
D6/370, 374, 376, 379, 380, 500, 501,
502; 297/445.1, 446.1

[56] **References Cited**

U.S. PATENT DOCUMENTS

D. 174,592	4/1955	Pettibone	D6/379
D. 180,659	7/1957	Jiranek	D6/379
D. 181,011	9/1957	Lubberts et al.	D6/369
D. 183,233	7/1958	Ahrens	D6/368 X
D. 206,154	11/1966	Bradley	D6/369
D. 342,840	1/1994	Doughty	D6/376
D. 343,966	2/1994	Hess	D6/376
D. 364,972	12/1995	Caldwell	D6/369

OTHER PUBLICATIONS

Shelby Williams Industries, Inc. Brochure ©1985, Contem-
porary Wood Chair at top.
Brown Jordan, ©1986, p. 54, Chair #1730-2100 at top.

Veneman a Tropitone Co., Sep. 1, 1991, p. 18, Chair
#BA144 at top right.

Brown Jordan Golden Anniversary Catalog, 1995.

Woodard Gallery Catalog, 1992.

Tropitone Catalog, 1989.

Primary Examiner—Gary D. Watson

Attorney, Agent, or Firm—Knobbe, Martens, Olson & Bear,
LLP

[57] **CLAIM**

The ornamental design for a chair, as shown and described.

DESCRIPTION

FIG. 1 is a front elevational view of the chair of the present
invention;

FIG. 2 is a rear elevational thereof;

FIG. 3 is a left side elevational view thereof, the right side
elevational view being a mirror image thereof;

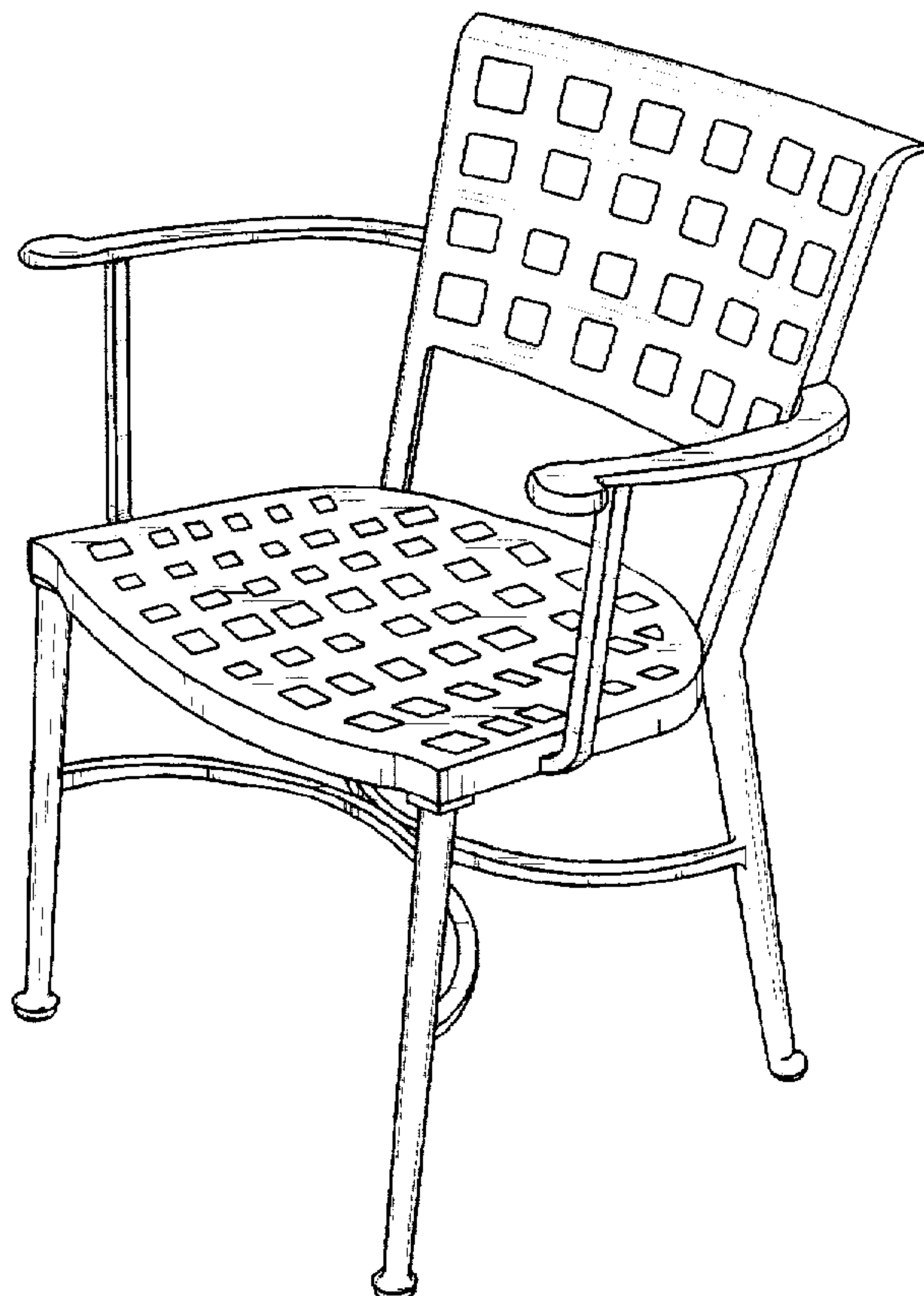
FIG. 4 is a top plan view thereof;

FIG. 5 is a bottom plan view thereof; and,

FIG. 6 is a front perspective view thereof.

FIG. 6 has been shown on an enlarged scale with respect to
the other views.

1 Claim, 3 Drawing Sheets



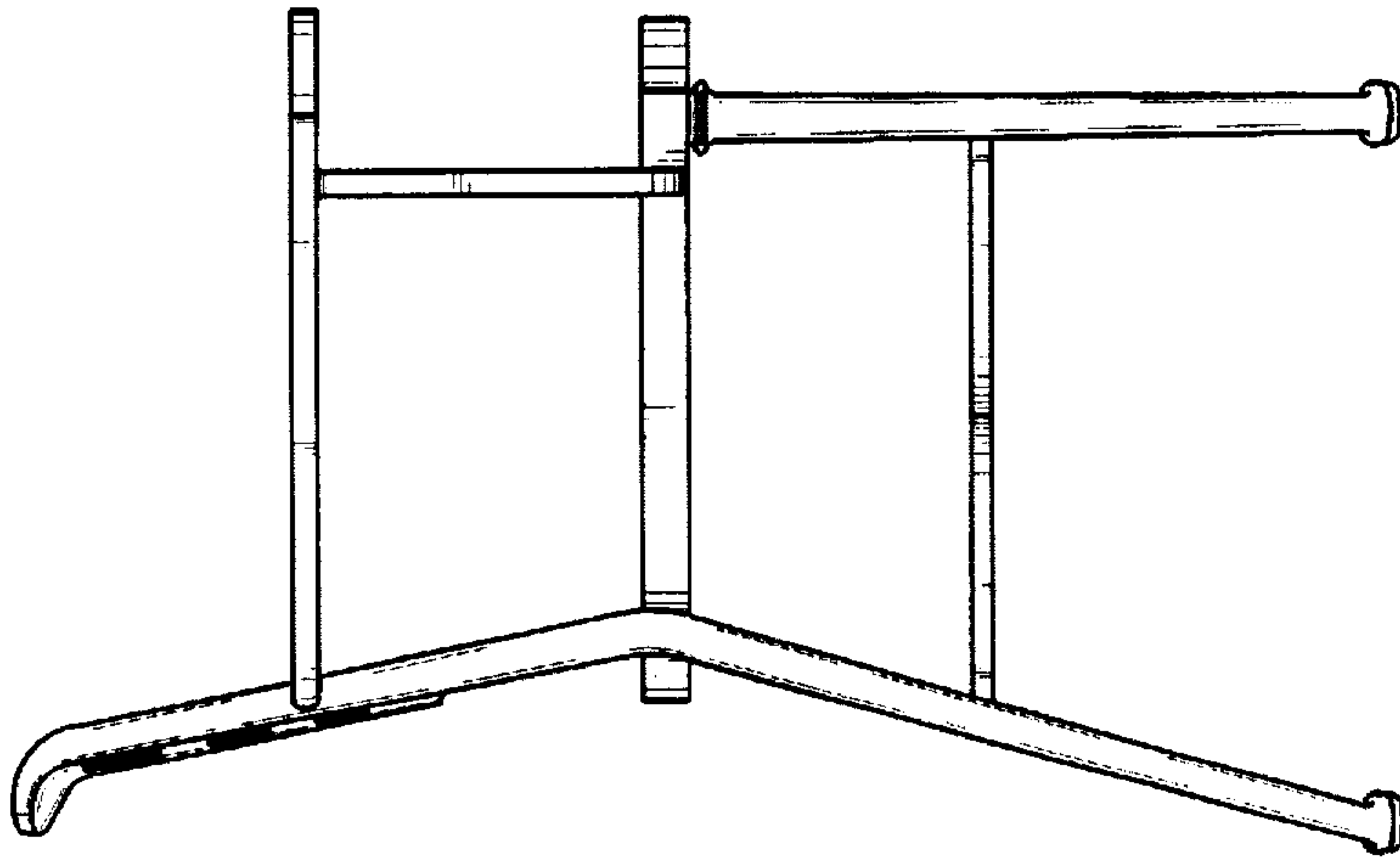


FIG. 3

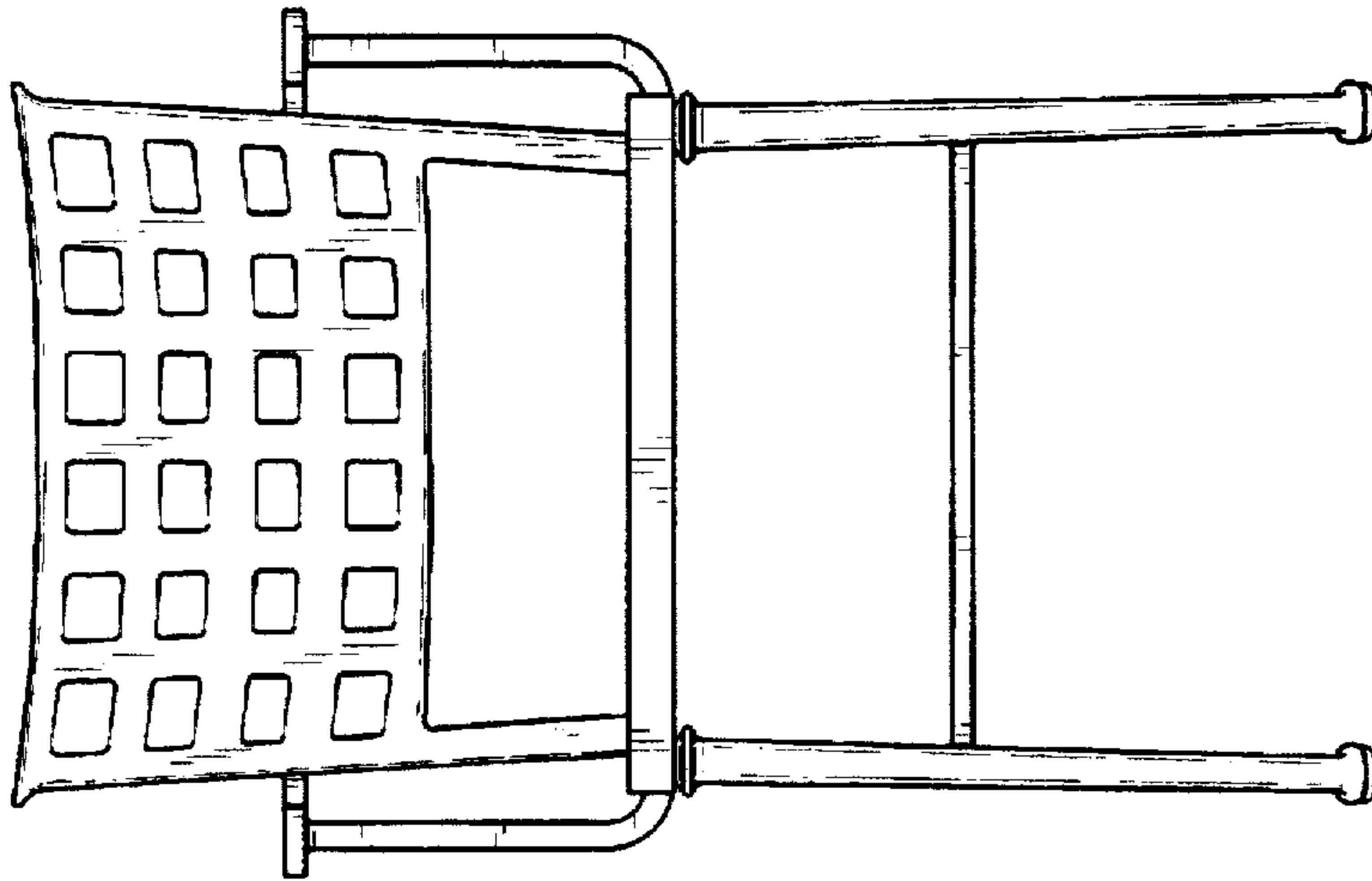


FIG. 1

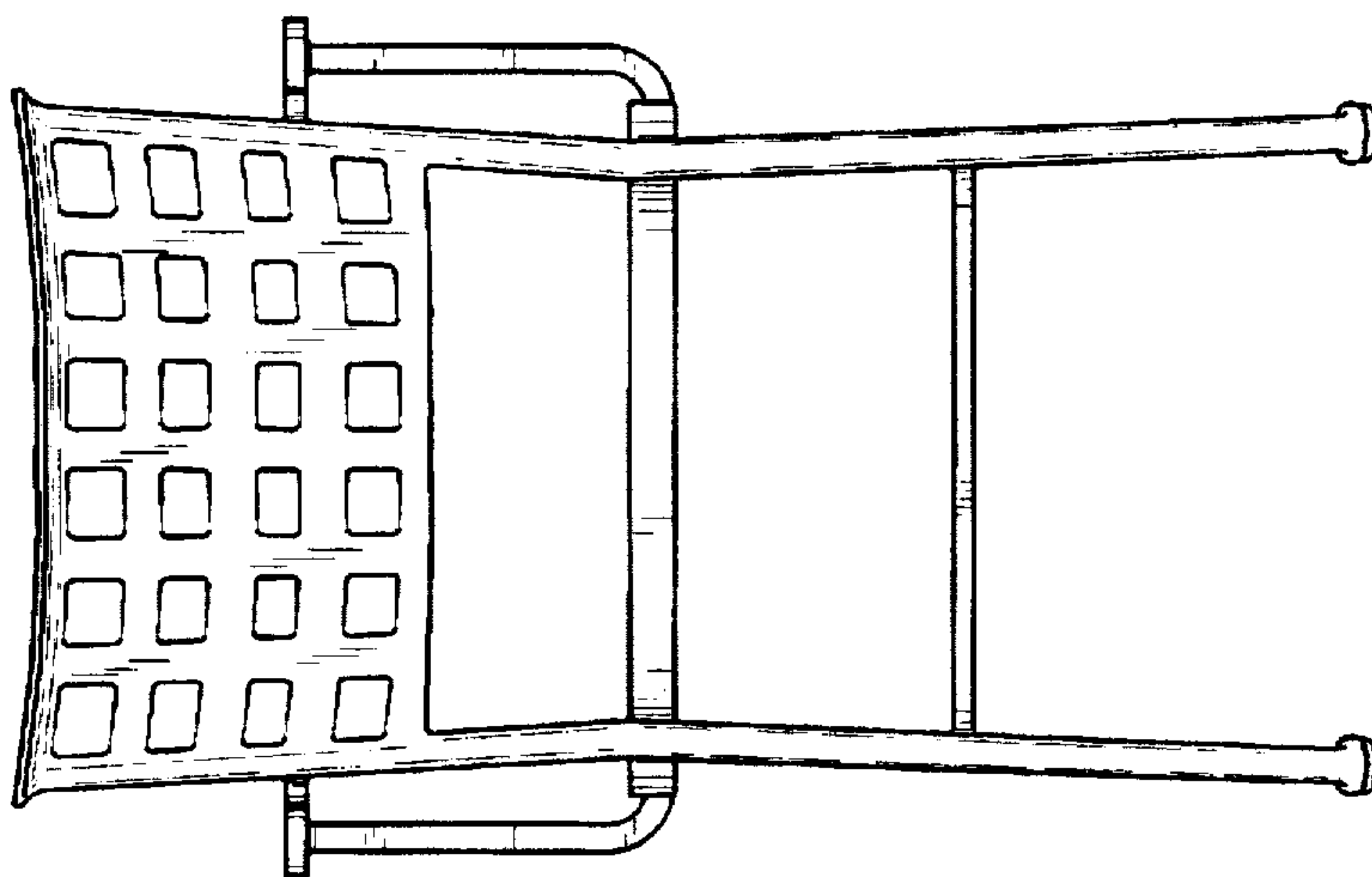


FIG. 2

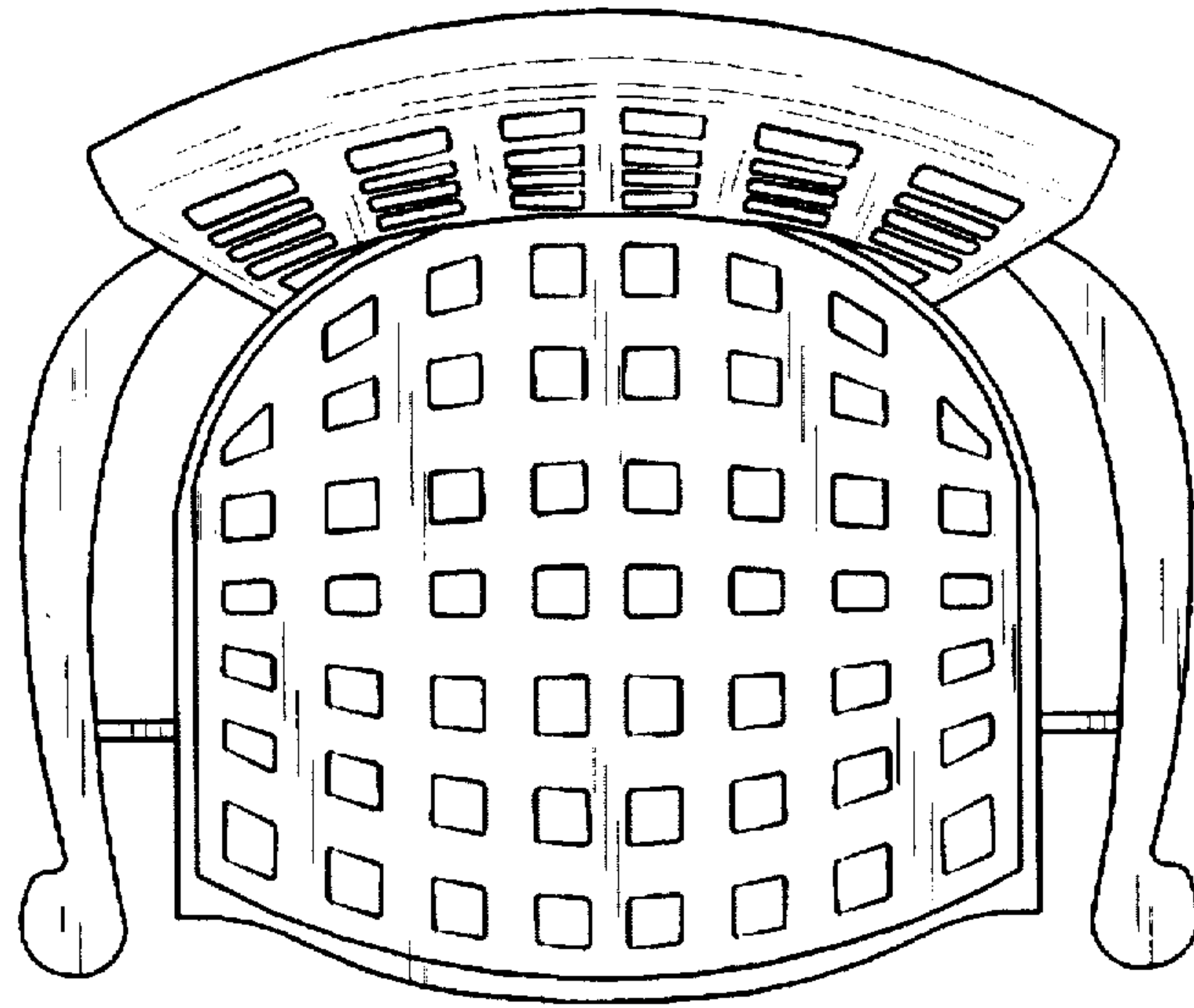


FIG. 4

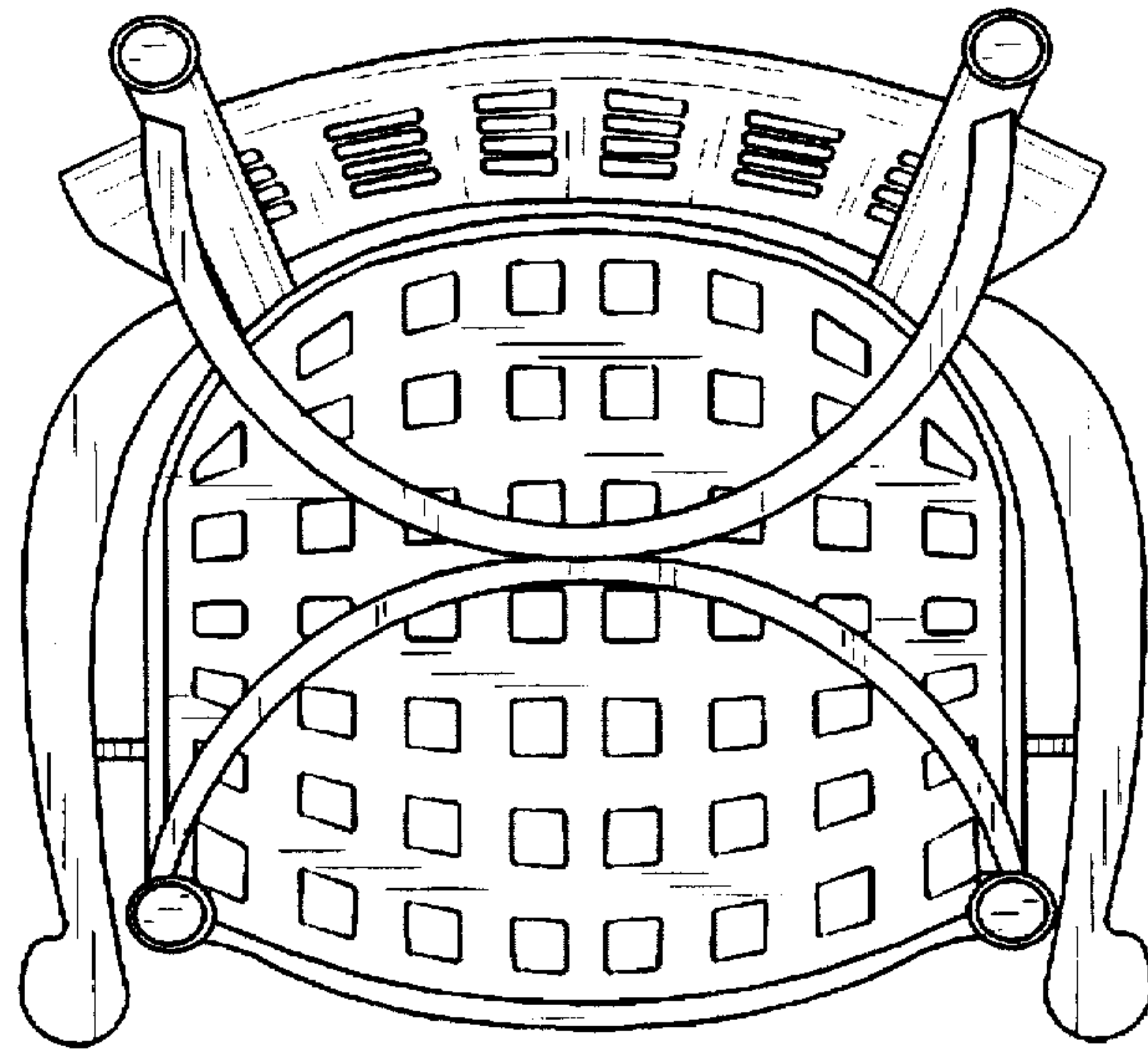


FIG. 5

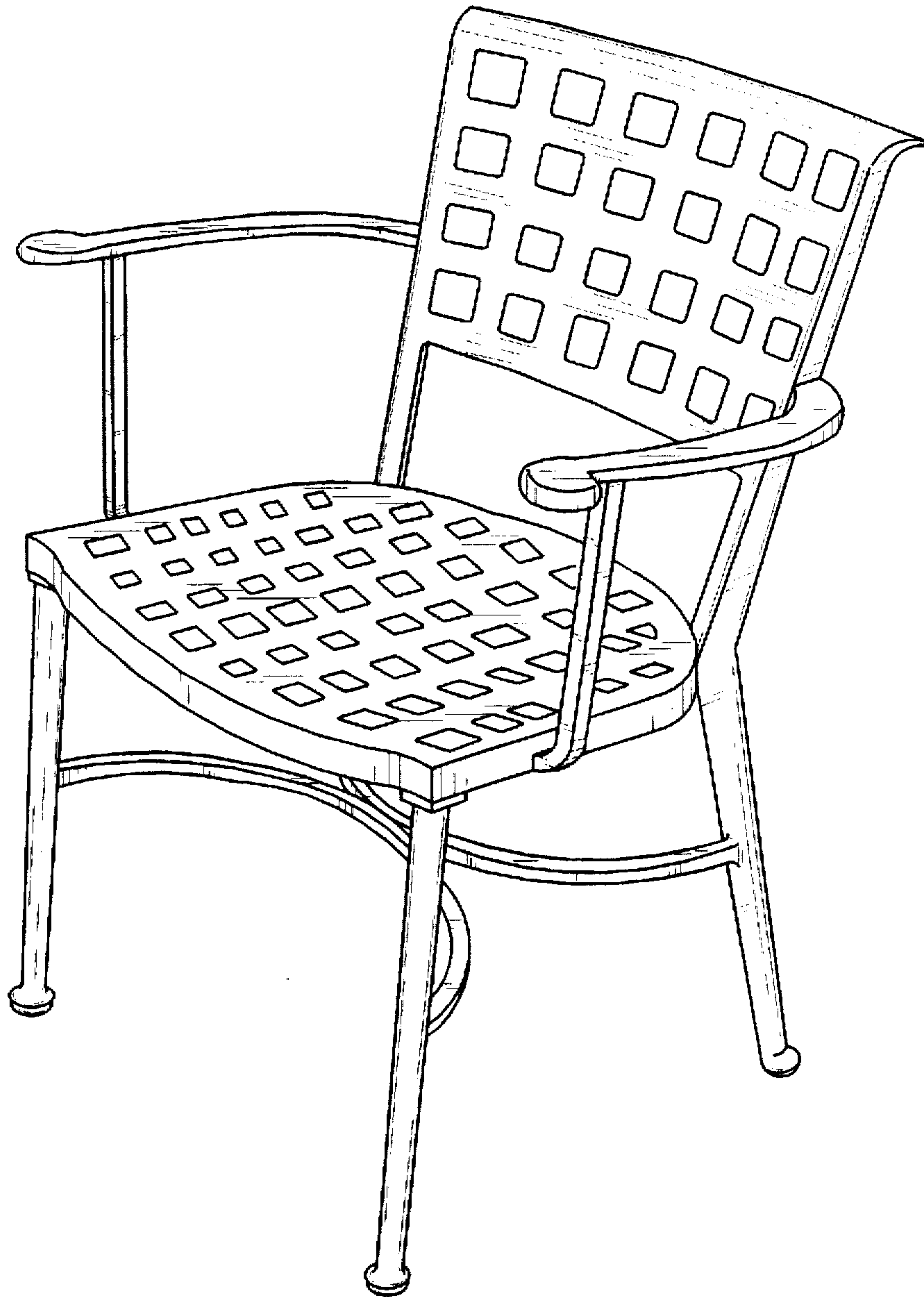


FIG. 6