



US00D390020S

United States Patent [19] Huang

[11] Patent Number: **Des. 390,020**
[45] Date of Patent: ****Feb. 3, 1998**

[54] FOOT-REST

[76] Inventor: **Chin-Chen Huang**, Suite 2, 7F, 95-8 Chang Ping Road Sec. 1, Taichung, Taiwan

[**] Term: **14 Years**

[21] Appl. No.: **58,853**

[22] Filed: **Aug. 26, 1996**

[51] LOC (6) Cl. **06-01**

[52] U.S. Cl. **D6/349; D6/351; D24/212**

[58] Field of Search **D6/349, 352, 353, D6/351; 297/423.1, 423.39, 423.41-423.46, 461, 462; 601/63, 19, 22; D24/212, 213**

[56] References Cited

U.S. PATENT DOCUMENTS

D. 280,934	10/1985	MacGregor	D24/212
D. 327,176	6/1992	Gil	D6/335
5,544,941	8/1996	Campbell et al.	297/423.45

FOREIGN PATENT DOCUMENTS

406047083 2/1994 Japan 601/22

Primary Examiner—Janice E. Seeger

[57] CLAIM

The ornamental design for a foot-rest, as shown.

DESCRIPTION

FIG. 1 is a perspective view of a foot-rest showing my new design;

FIG. 2 is a front elevational view, the rear being identical thereto;

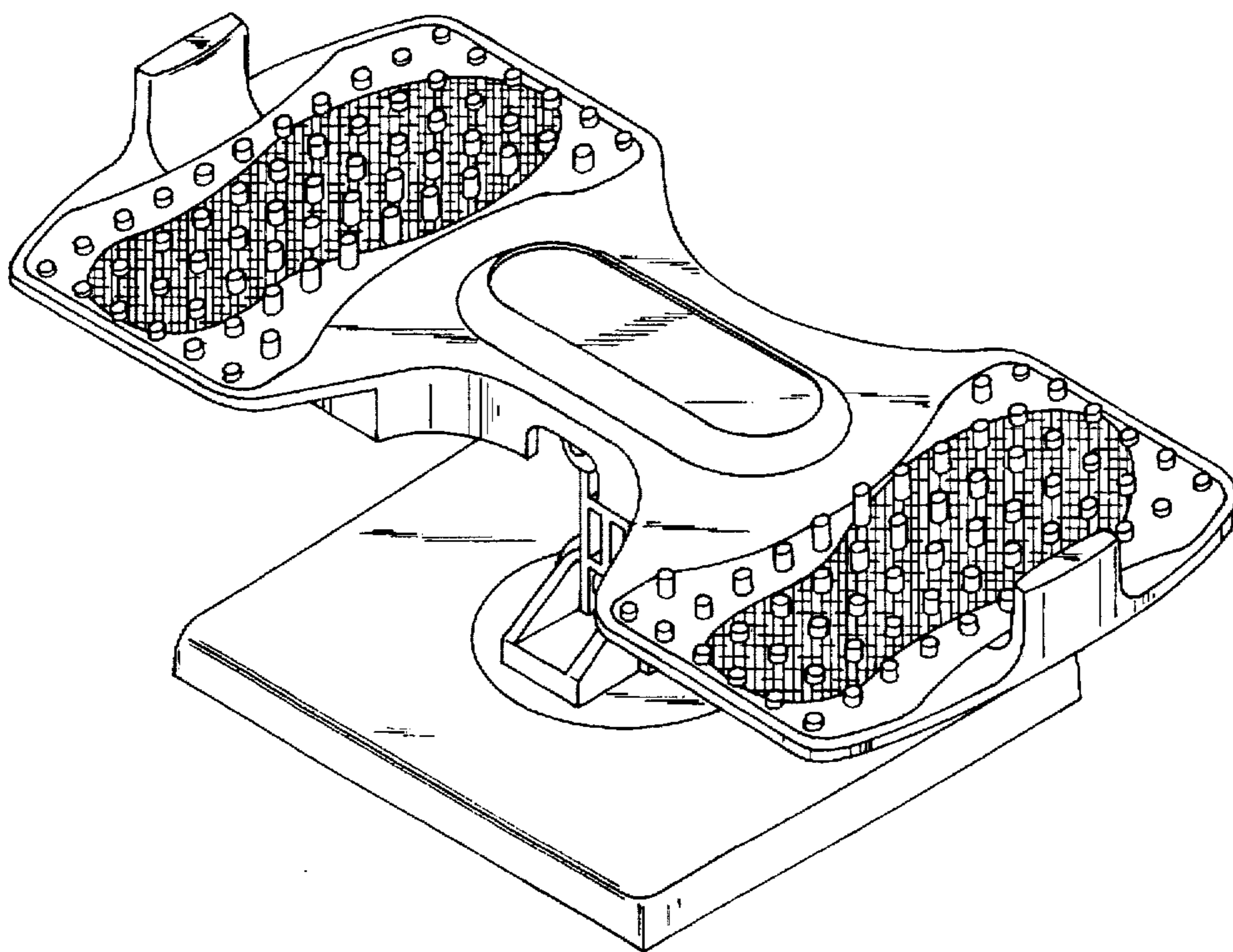
FIG. 3 is a right side elevation view thereof;

FIG. 4 is a left side elevation view thereof;

FIG. 5 is a top plan view thereof; and,

FIG. 6 is a bottom plan view thereof.

1 Claim, 5 Drawing Sheets



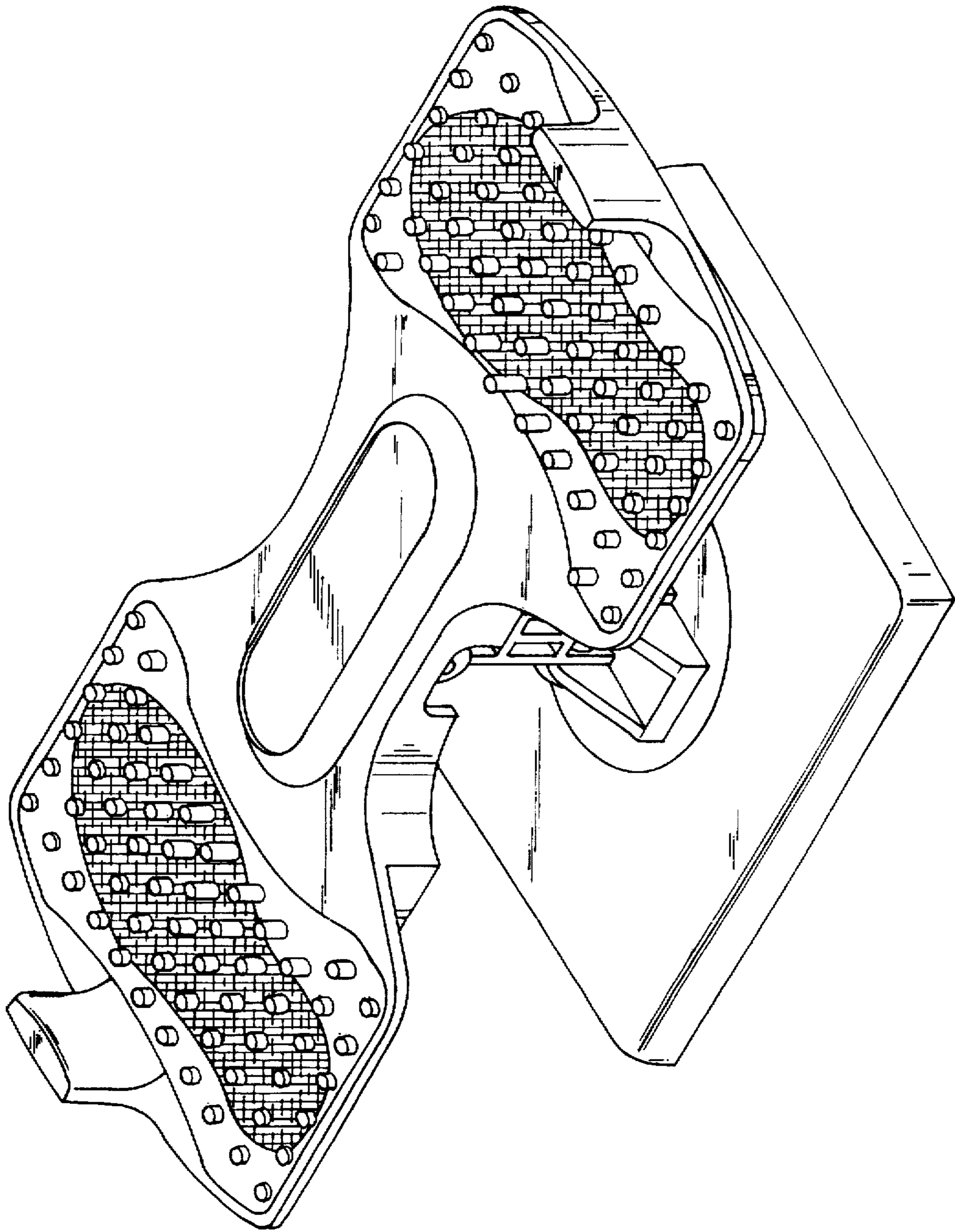


FIG 1

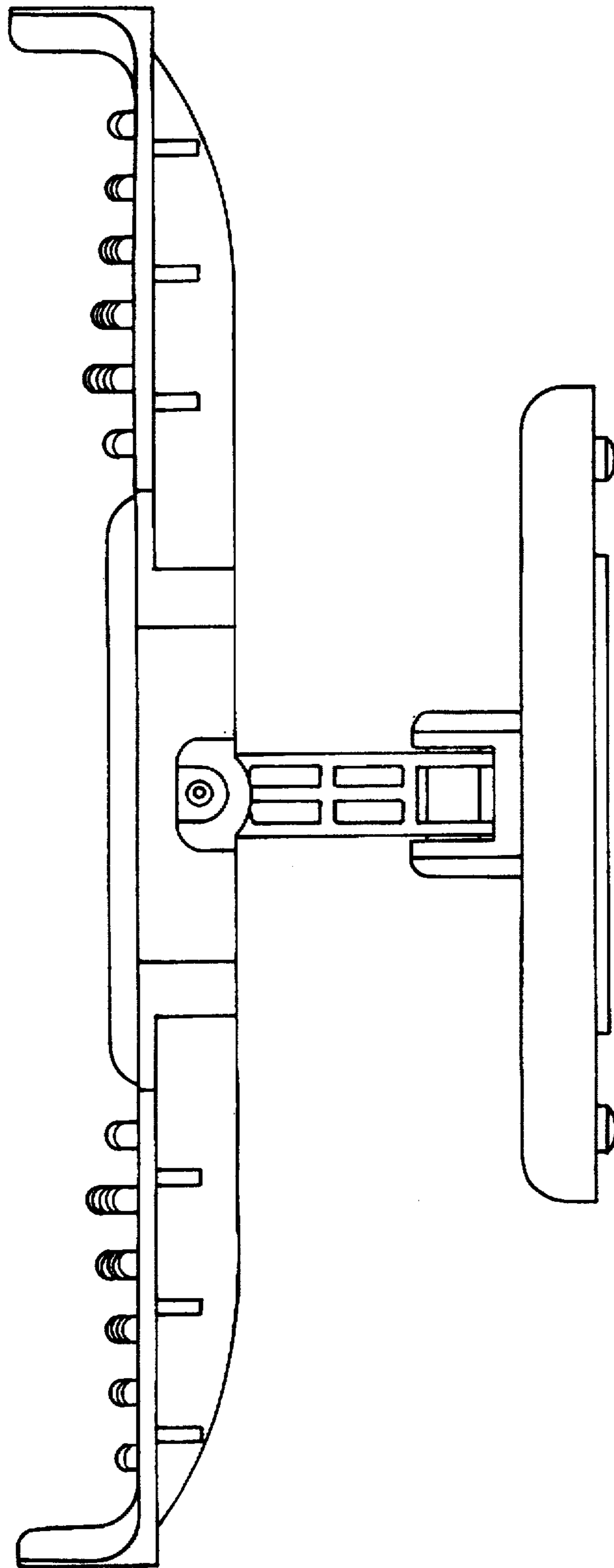


FIG 2

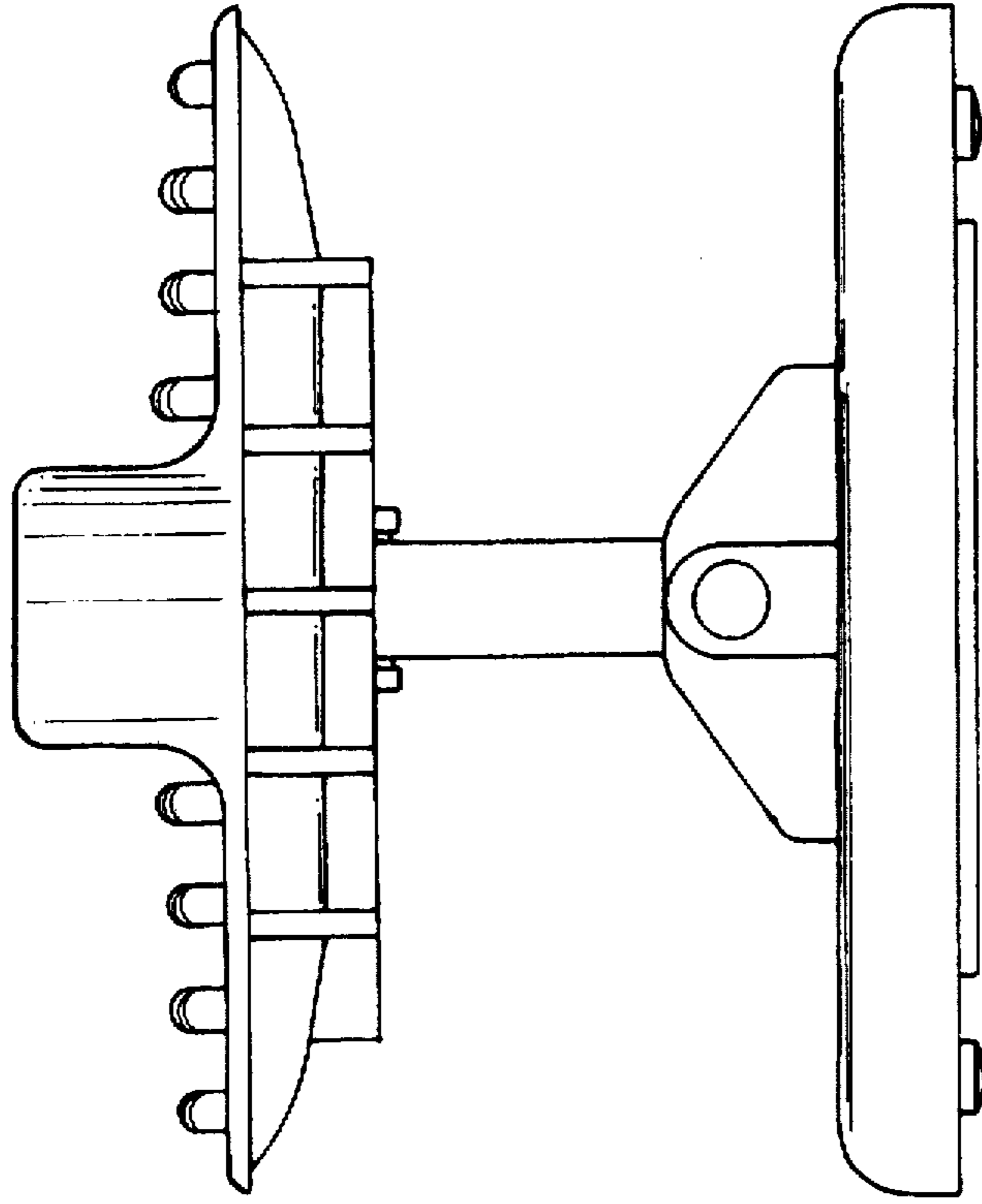


FIG 3

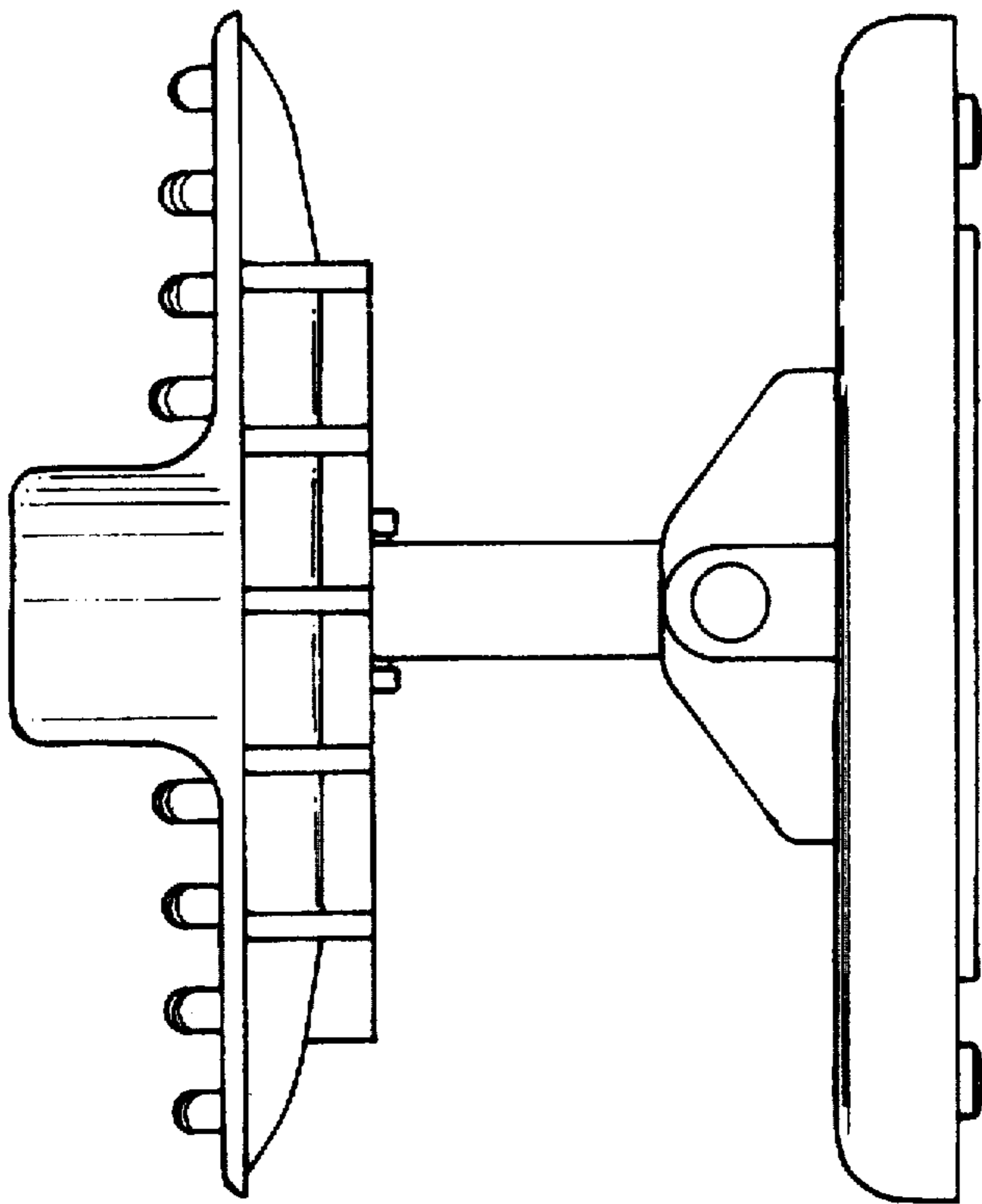


FIG 4

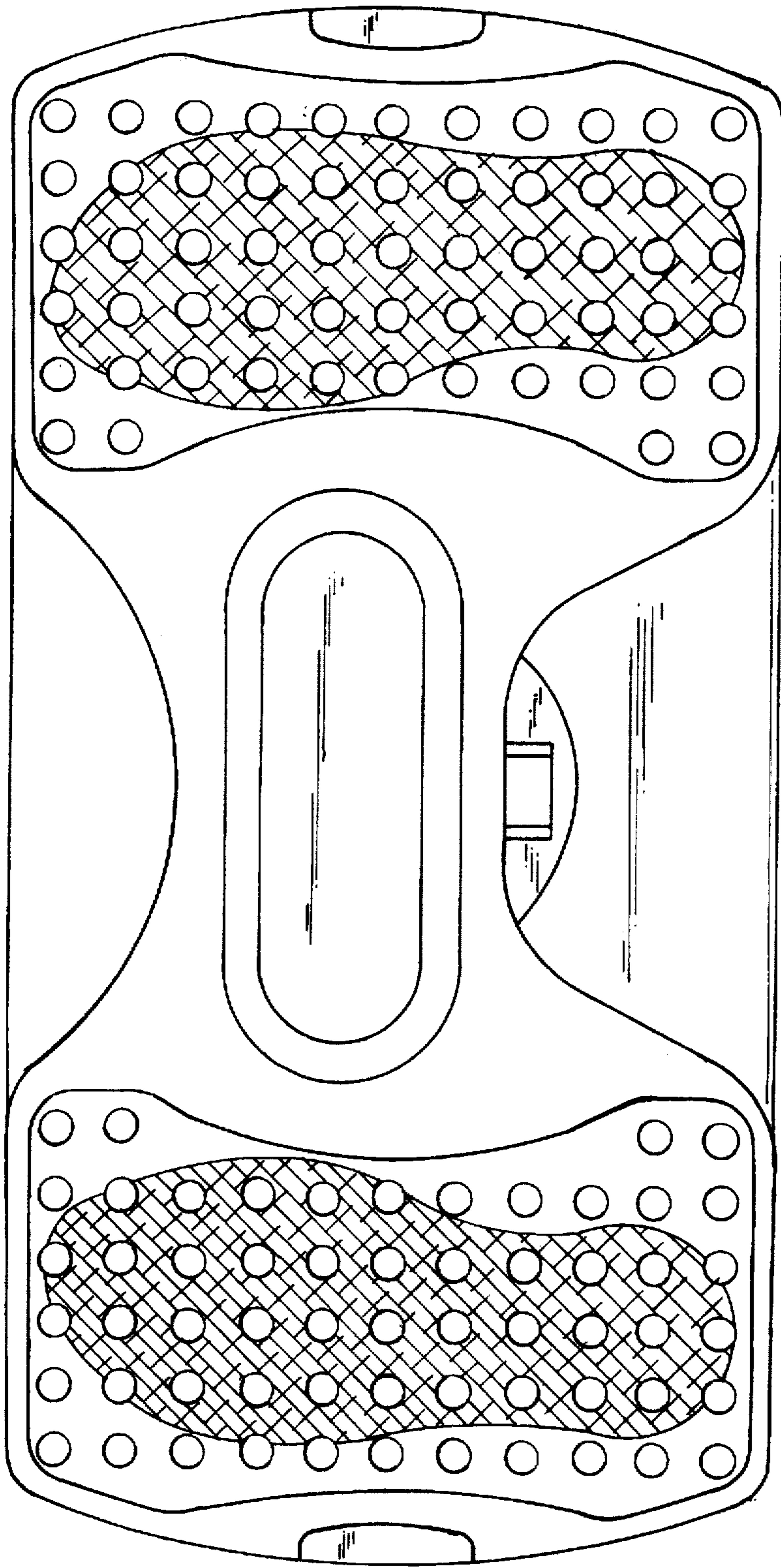


FIG 5

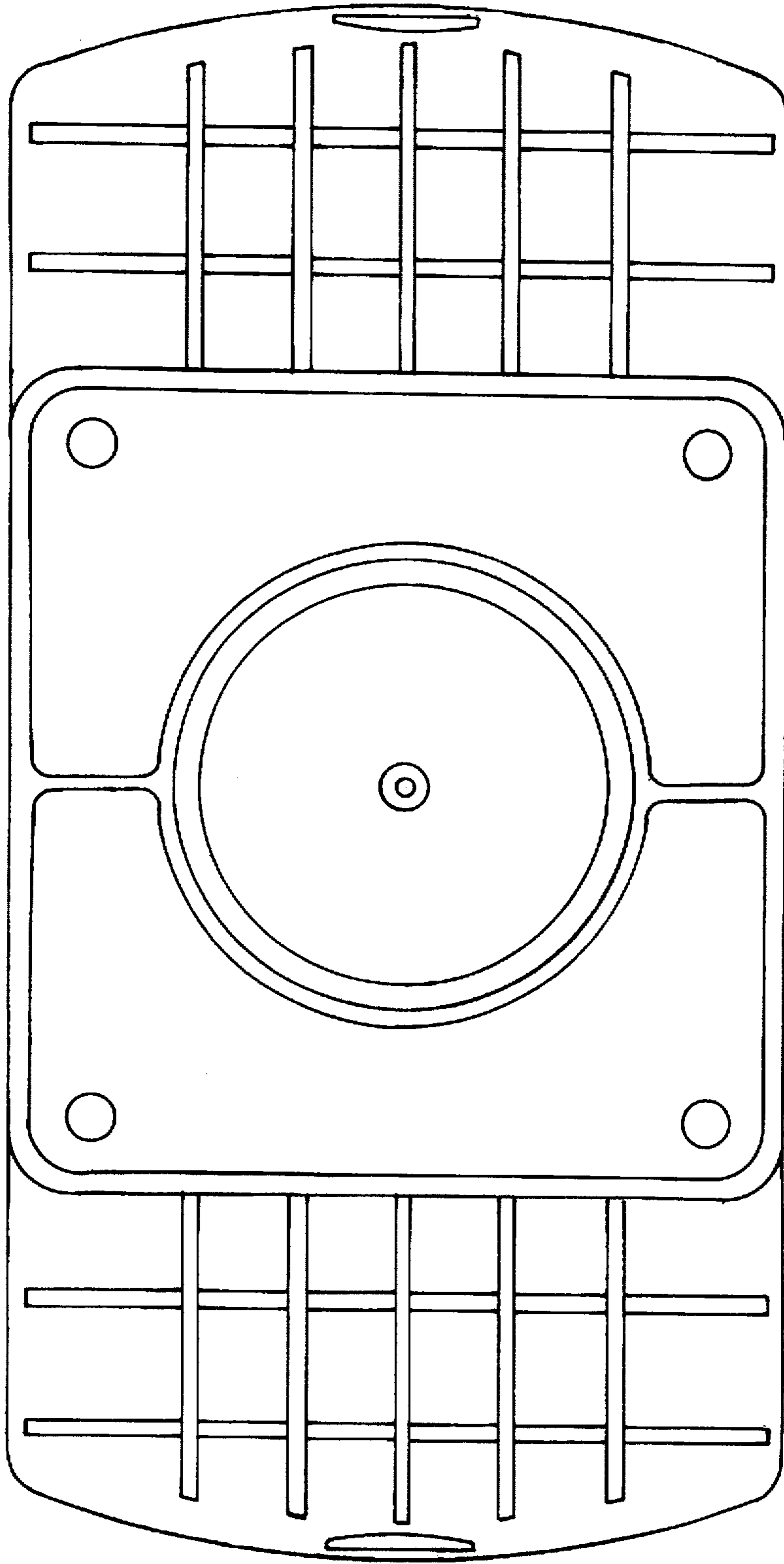


FIG 6