



US00D390014S

United States Patent [19] Ho

[11] Patent Number: **Des. 390,014**
[45] Date of Patent: ****Feb. 3, 1998**

[54] **WOODEN COAT HOOK**

[75] Inventor: **Tang-hsiung Ho, Taipei, Taiwan**

[73] Assignee: **Test Rite International Co., Ltd.,
Taipei, Taiwan**

[**] Term: **14 Years**

[21] Appl. No.: **67,963**

[22] Filed: **Apr. 15, 1997**

[51] LOC (6) Cl. **06-08**

[52] U.S. Cl. **D6/323; D8/367**

[58] Field of Search **D6/320, 322, 567;
D8/367; 211/13, 87; 248/304, 309.1**

[56] **References Cited**

U.S. PATENT DOCUMENTS

D. 241,206 8/1976 Halsted et al. D6/323
D. 271,545 11/1983 Licari et al. D6/323

D. 307,539 5/1990 Goodman et al. D8/367
D. 320,119 9/1991 Chap et al. D6/373

Primary Examiner—B. J. Bullock
Attorney, Agent, or Firm—Pro-Techtor International

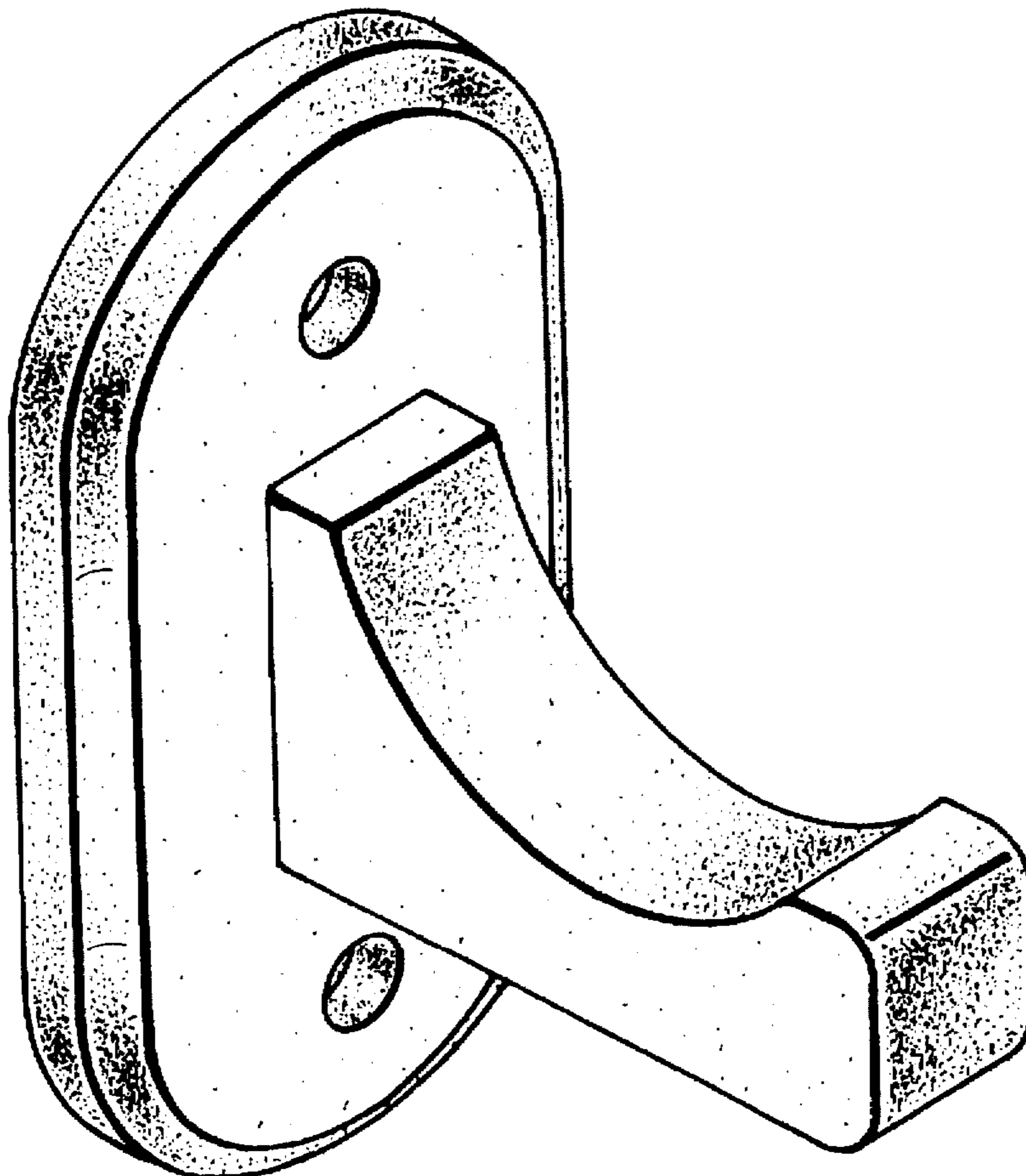
[57] **CLAIM**

The ornamental design for a wooden coat hook, as shown and described.

DESCRIPTION

FIG. 1 is a perspective view showing the wooden coat hook in accordance with the present invention;
FIG. 2 is a front elevational view thereof;
FIG. 3 is a rear elevational view thereof;
FIG. 4 is a left-hand side elevational view thereof;
FIG. 5 is a right-hand side elevational view thereof;
FIG. 6 is a top plan view thereof; and
FIG. 7 is a bottom plan view thereof.

1 Claim, 4 Drawing Sheets



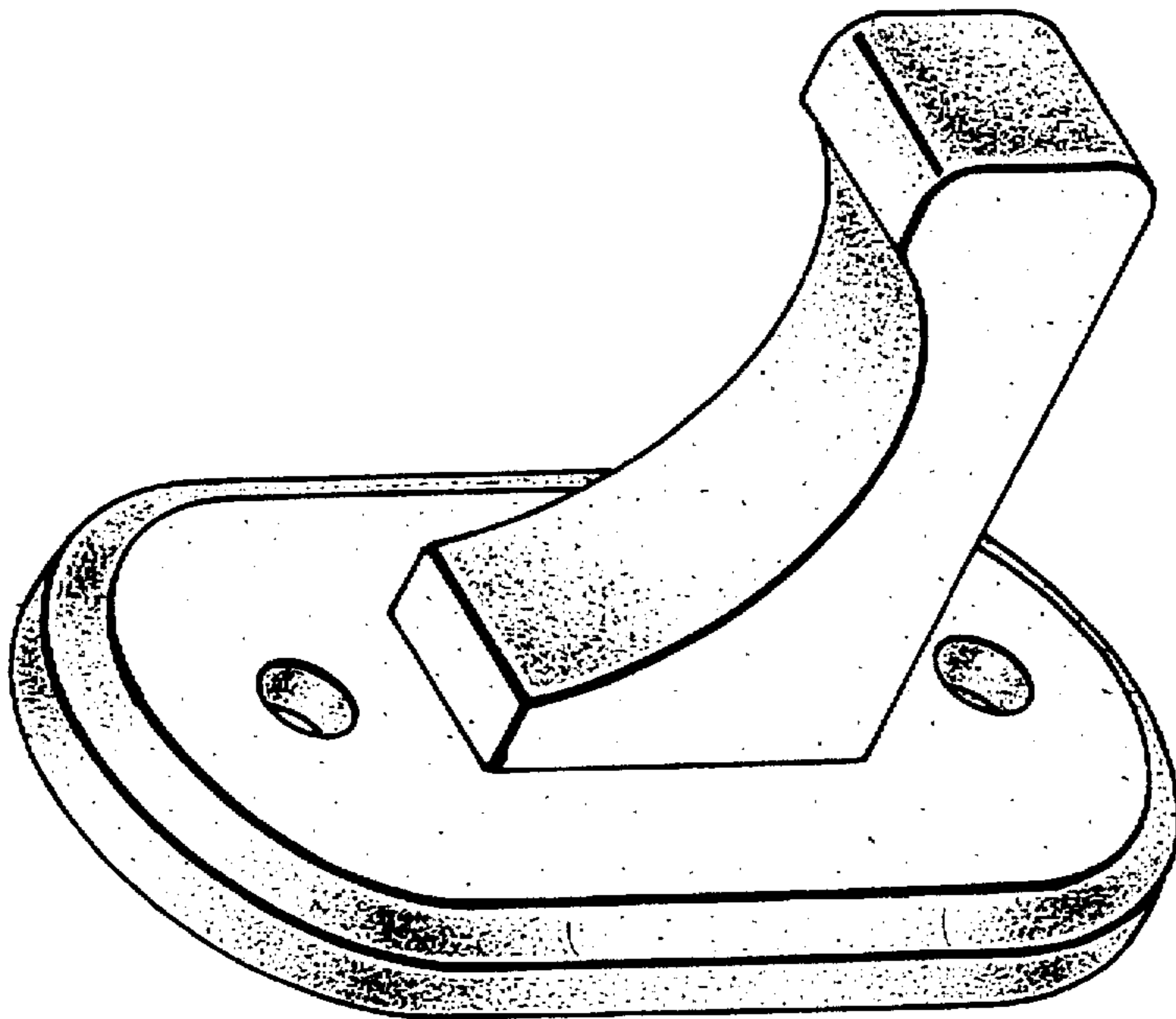


FIG. 1

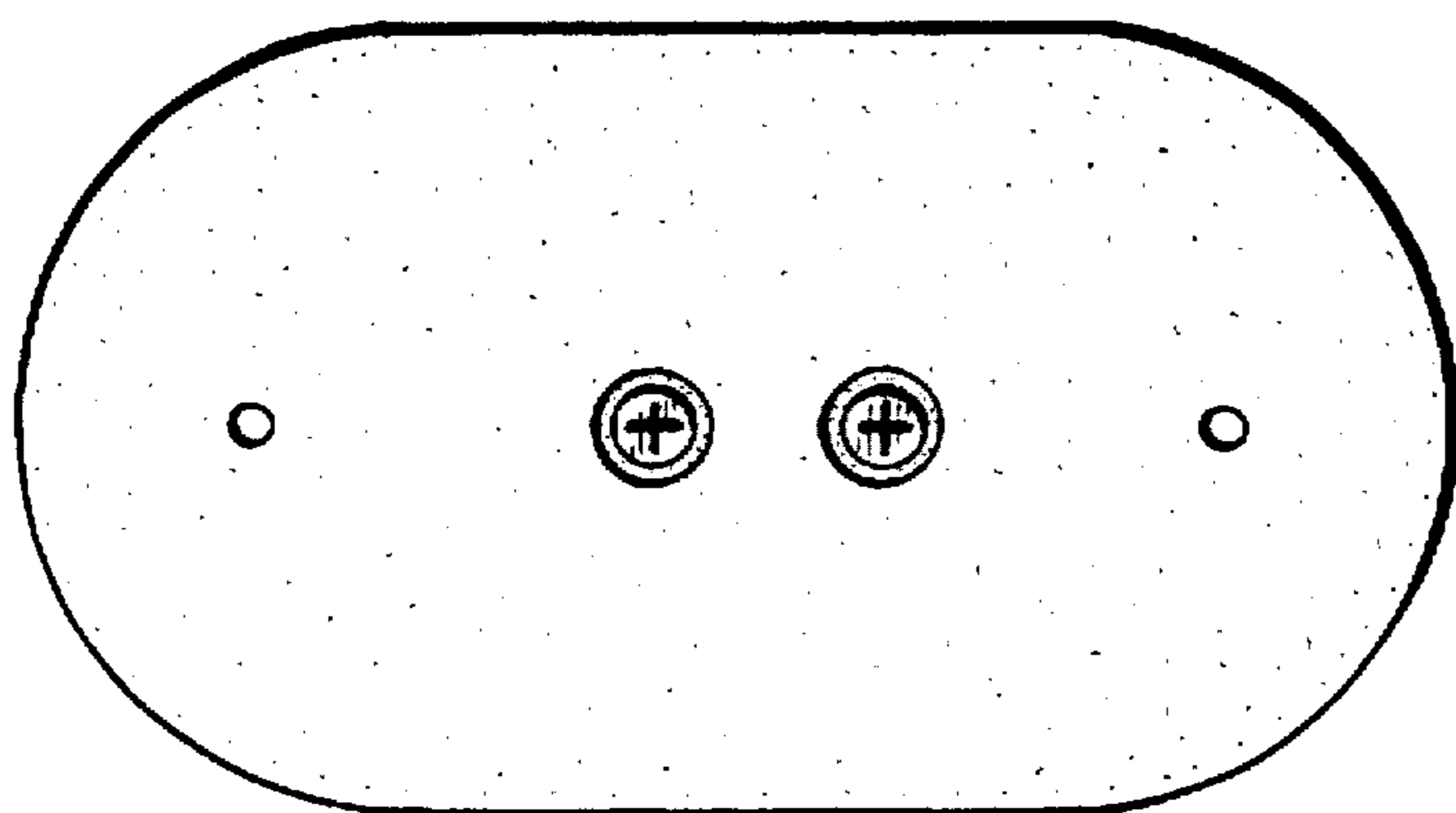


FIG. 3

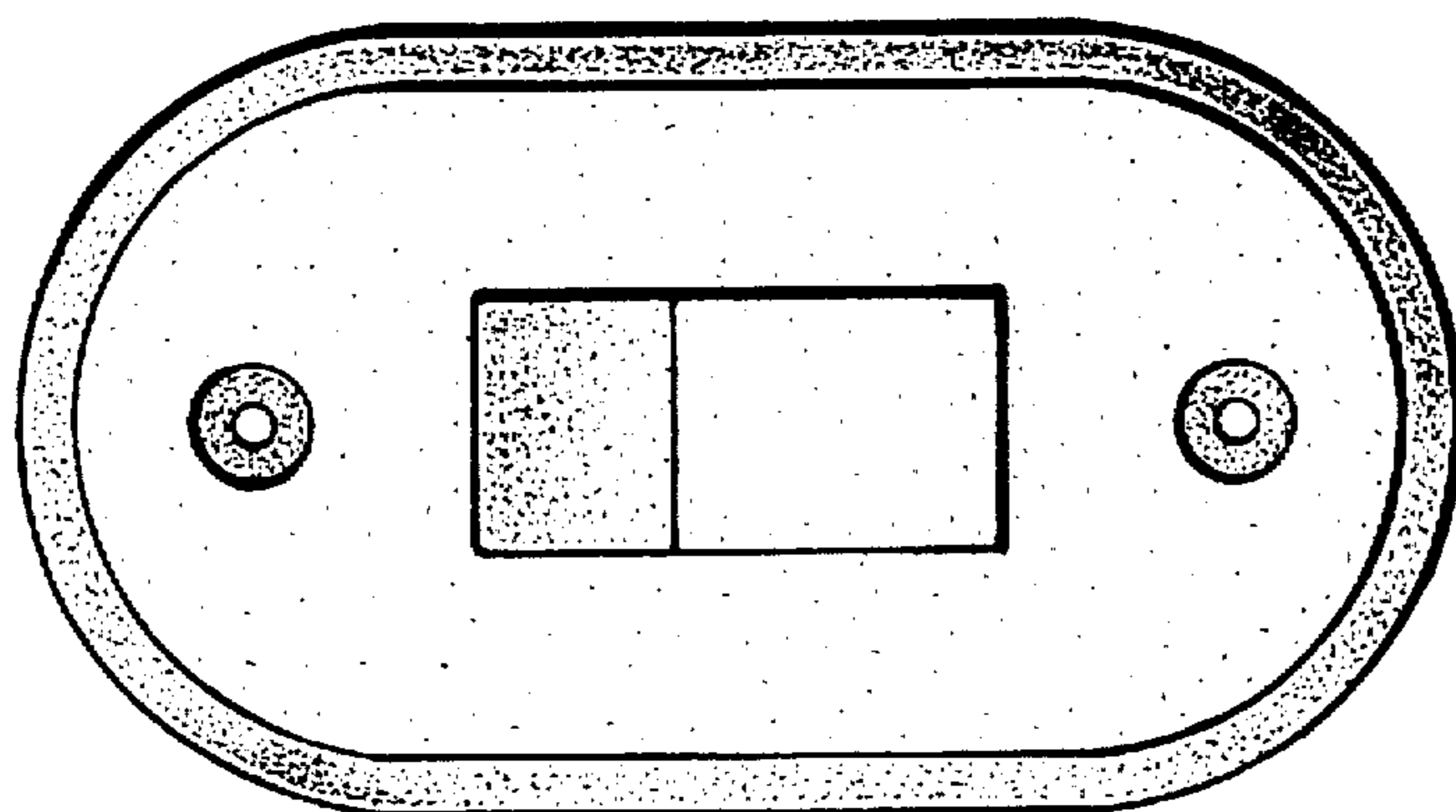


FIG. 2

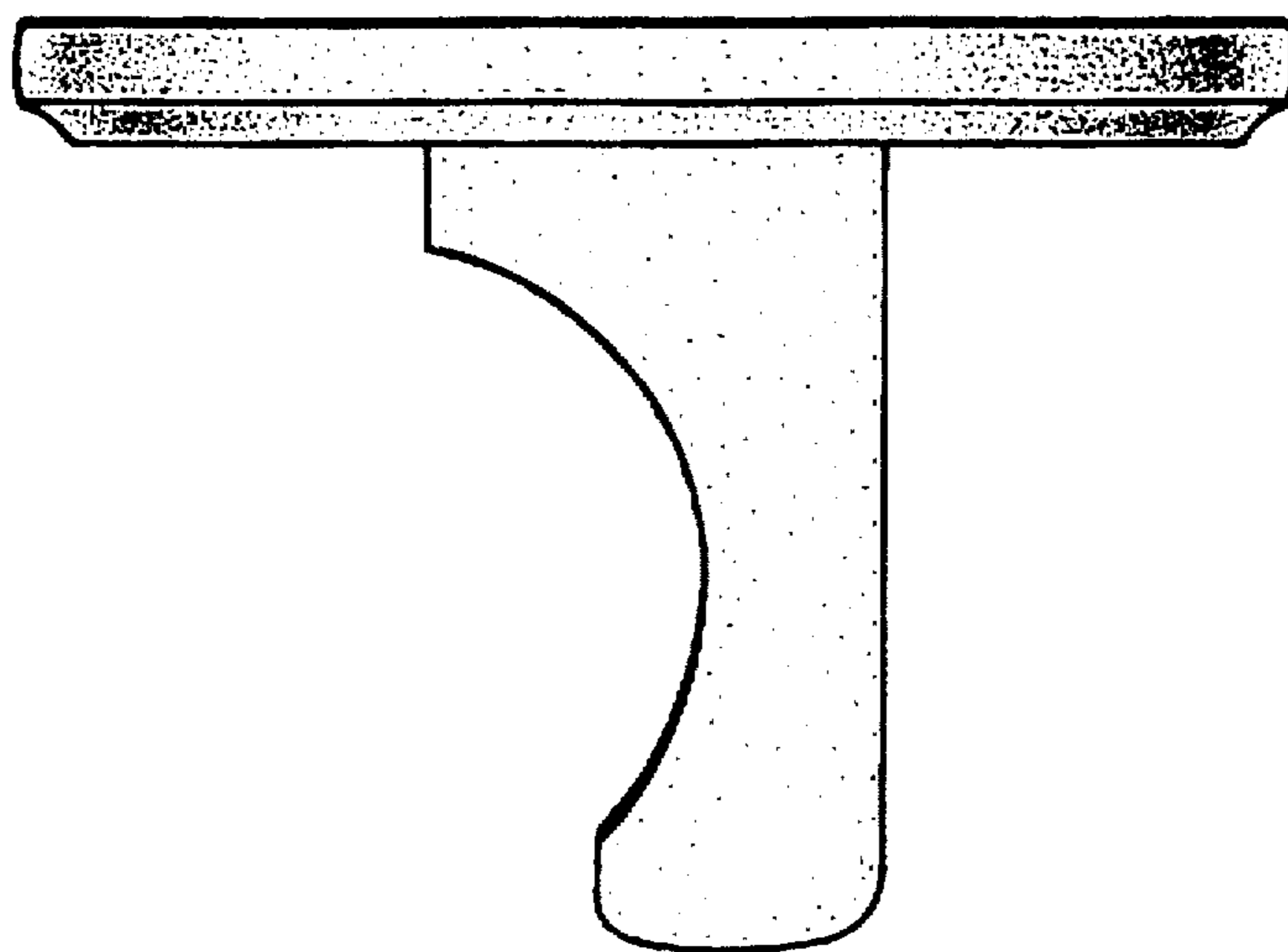


FIG.5

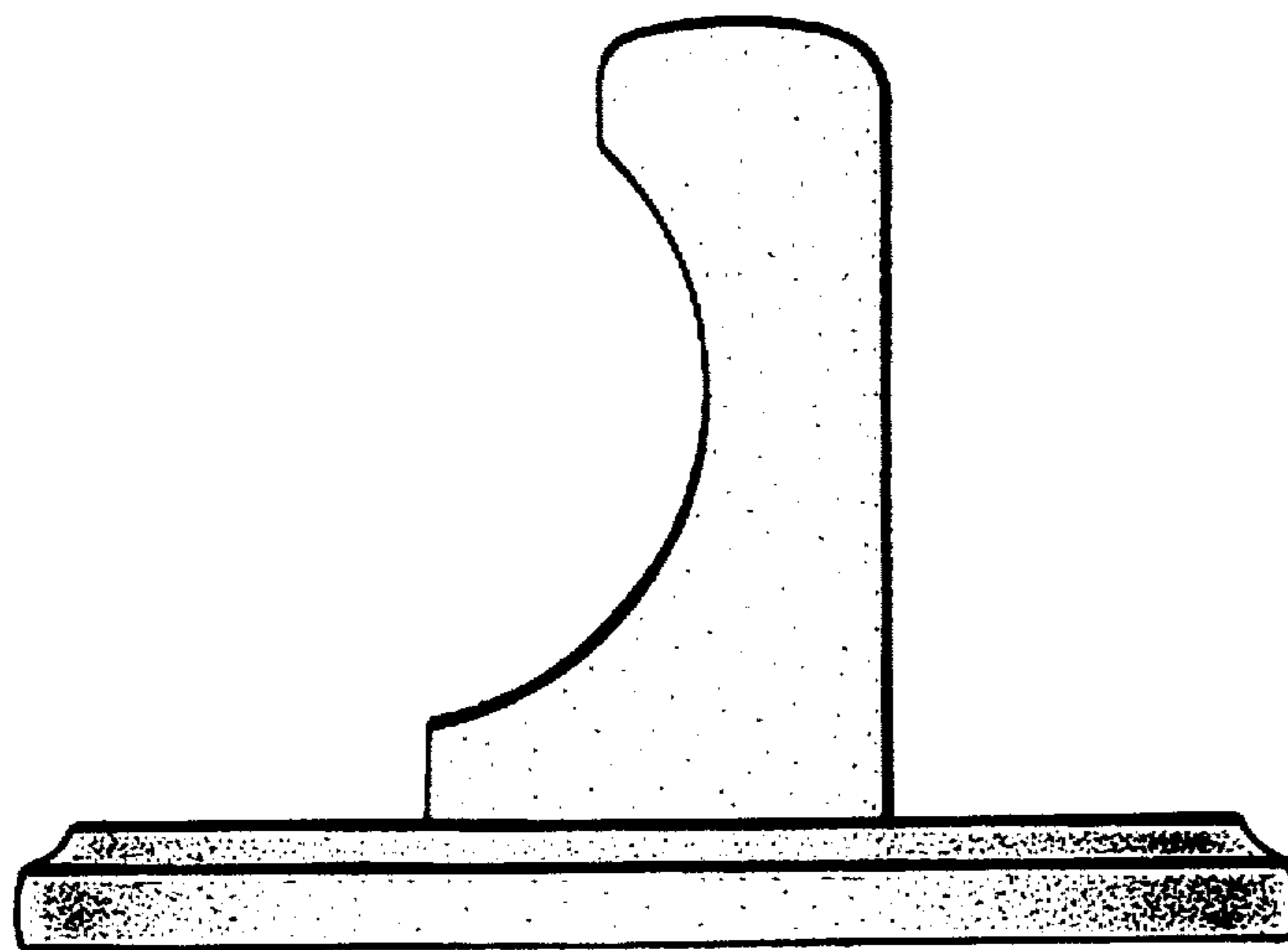


FIG.4

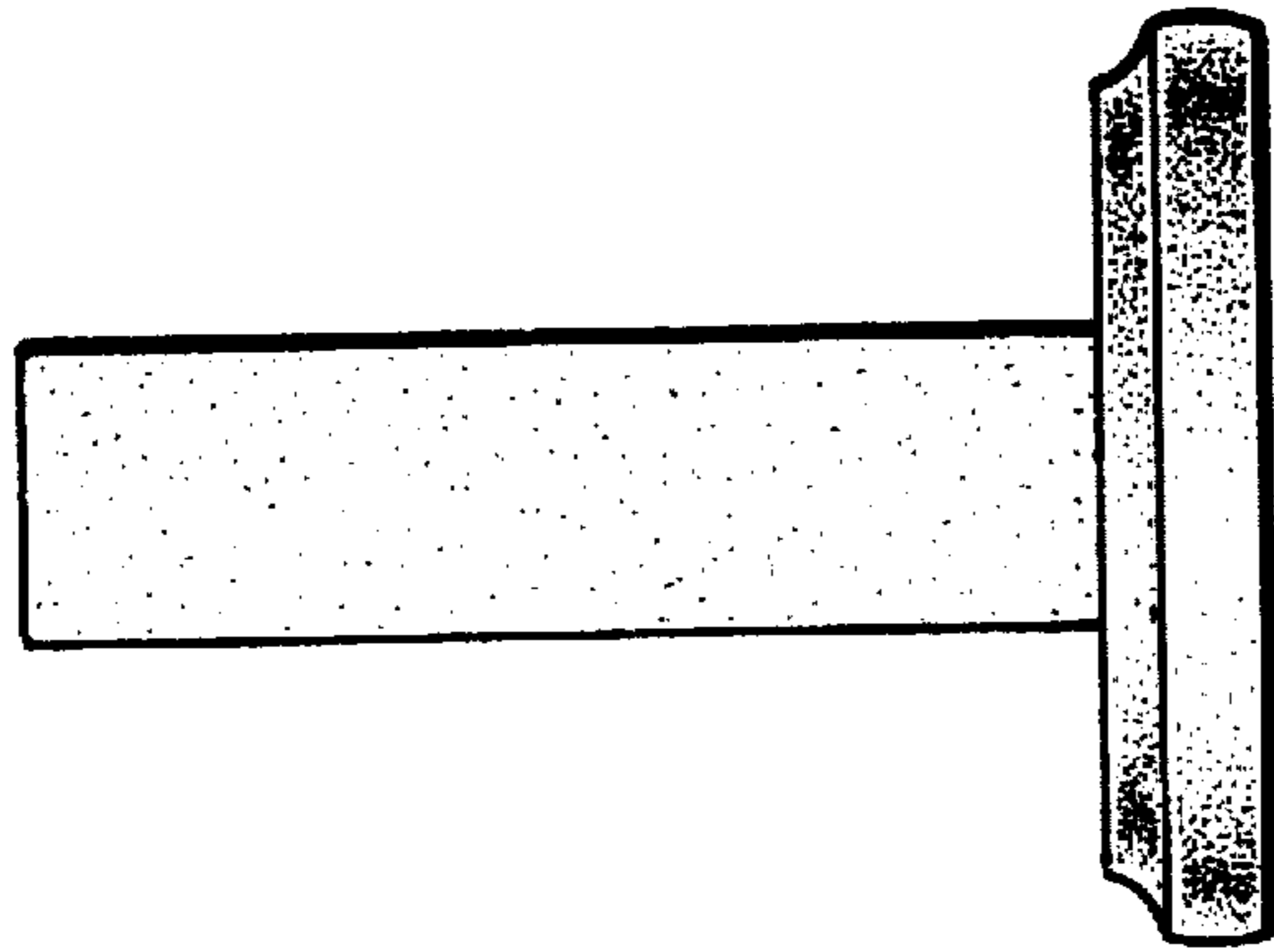


FIG. 7

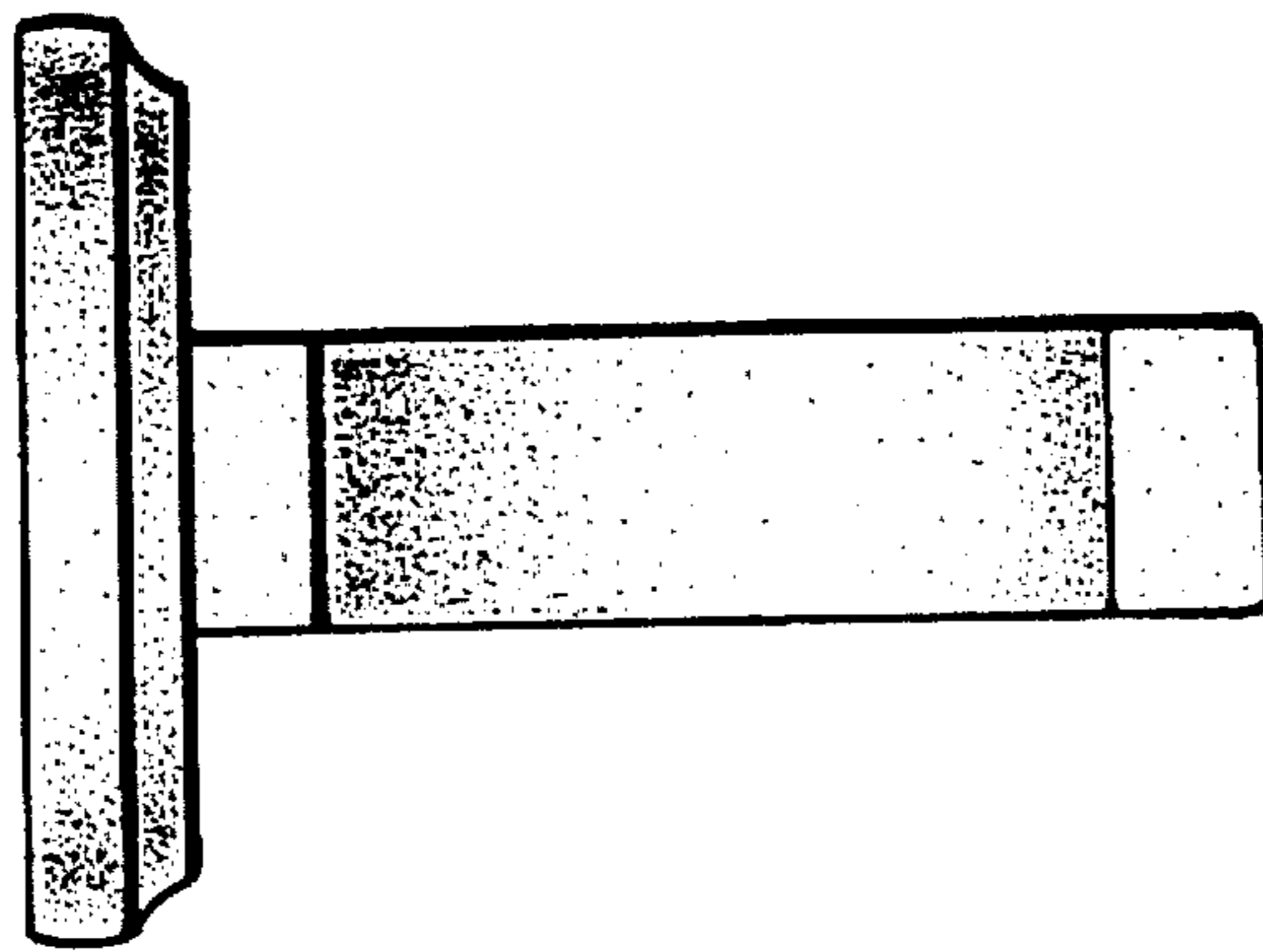


FIG. 6